

US00D648719S

(12) **United States Design Patent**
Gehrke

(10) **Patent No.:** **US D648,719 S**
(45) **Date of Patent:** **** Nov. 15, 2011**

(54) **AUDIO AMPLIFIER FACEPLATE**

(76) Inventor: **Robert Gehrke, Zossen (DE)**

(**) Term: **14 Years**

(21) Appl. No.: **29/394,226**

(22) Filed: **Jun. 15, 2011**

Related U.S. Application Data

(62) Division of application No. 29/362,282, filed on May 21, 2010, now Pat. No. Des. 641,015.

(51) **LOC (9) Cl.** **14-01**

(52) **U.S. Cl.** **D14/257**

(58) **Field of Classification Search** D13/107,
D13/108, 149, 164, 177, 182, 184; D14/496,
D14/188, 198, 433-435, 435.1, 136, 480.1-480.7,
D14/356, 257-258; 710/300, 301; 439/131,
439/135-147

See application file for complete search history.

(56) **References Cited**

U.S. PATENT DOCUMENTS

D415,116 S *	10/1999	Creutz et al.	D13/182
D520,502 S *	5/2006	Xu et al.	D14/356
D563,943 S *	3/2008	Watanabe	D14/188
D571,782 S *	6/2008	Moldauer et al.	D14/198
D599,747 S *	9/2009	Vigil	D13/177

OTHER PUBLICATIONS

Picture from Website: <http://www.headphonia.com> dated Jul. 8, 2008.*

4DThinker, FiiO E5 Headphone Amplifier Review, 4th Dimension Thinking Blog posted on Jan. 17, 2009, published online at <http://4dthinker.blogspot.com/2009/01/fio-e5-headphone-amplifier-review.html>.

* cited by examiner

Primary Examiner — Nanda Bondade

(74) *Attorney, Agent, or Firm* — Smartpat PLC; Axel Nix

(57) **CLAIM**

I claim the ornamental design for an audio amplifier faceplate, as shown and described.

DESCRIPTION

FIG. 1 is a perspective view of an audio amplifier faceplate showing a first embodiment of my new design;

FIG. 2 is a front view thereof;

FIG. 3 is a perspective view of an audio amplifier faceplate showing a second embodiment of my new design;

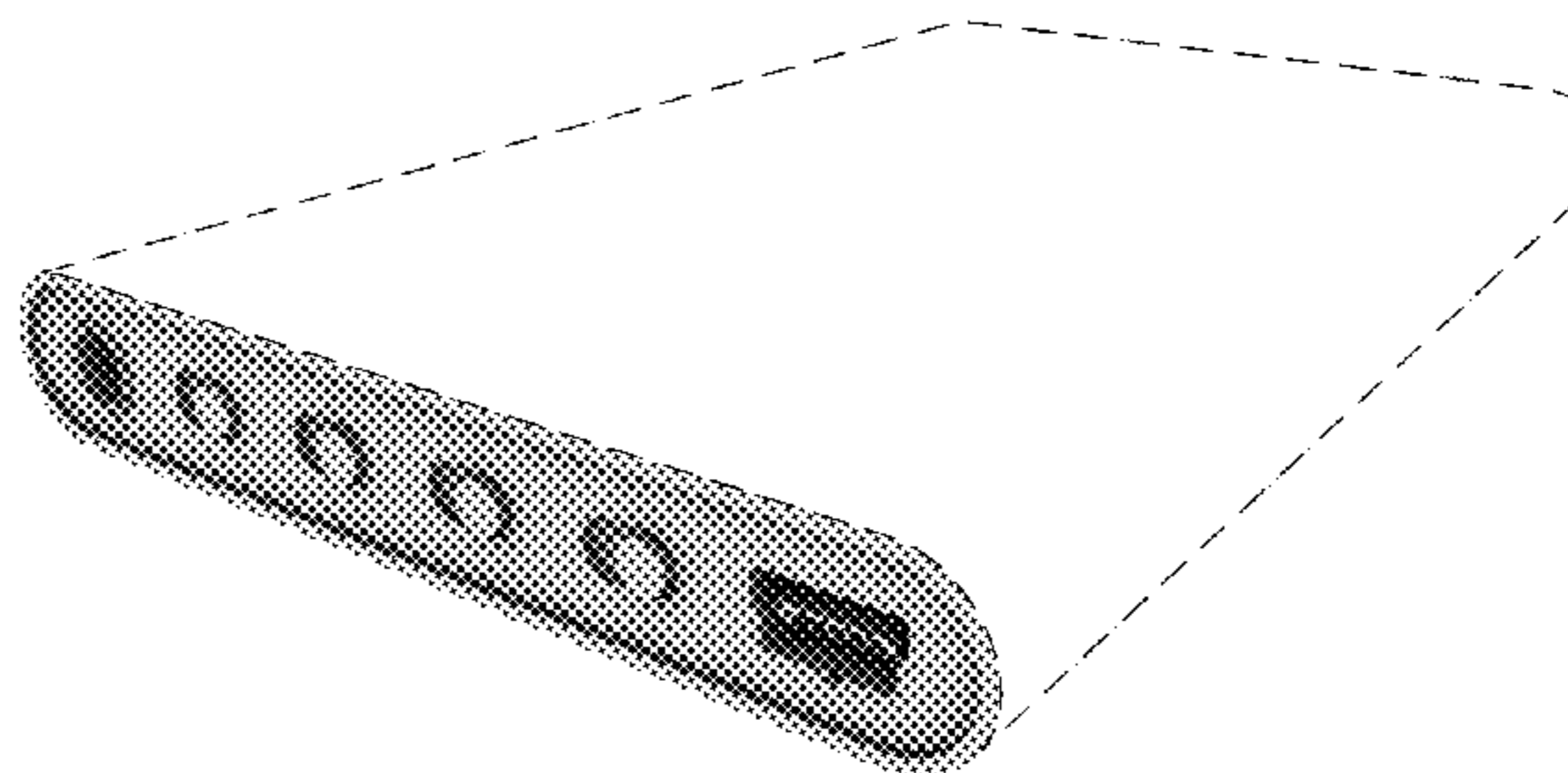
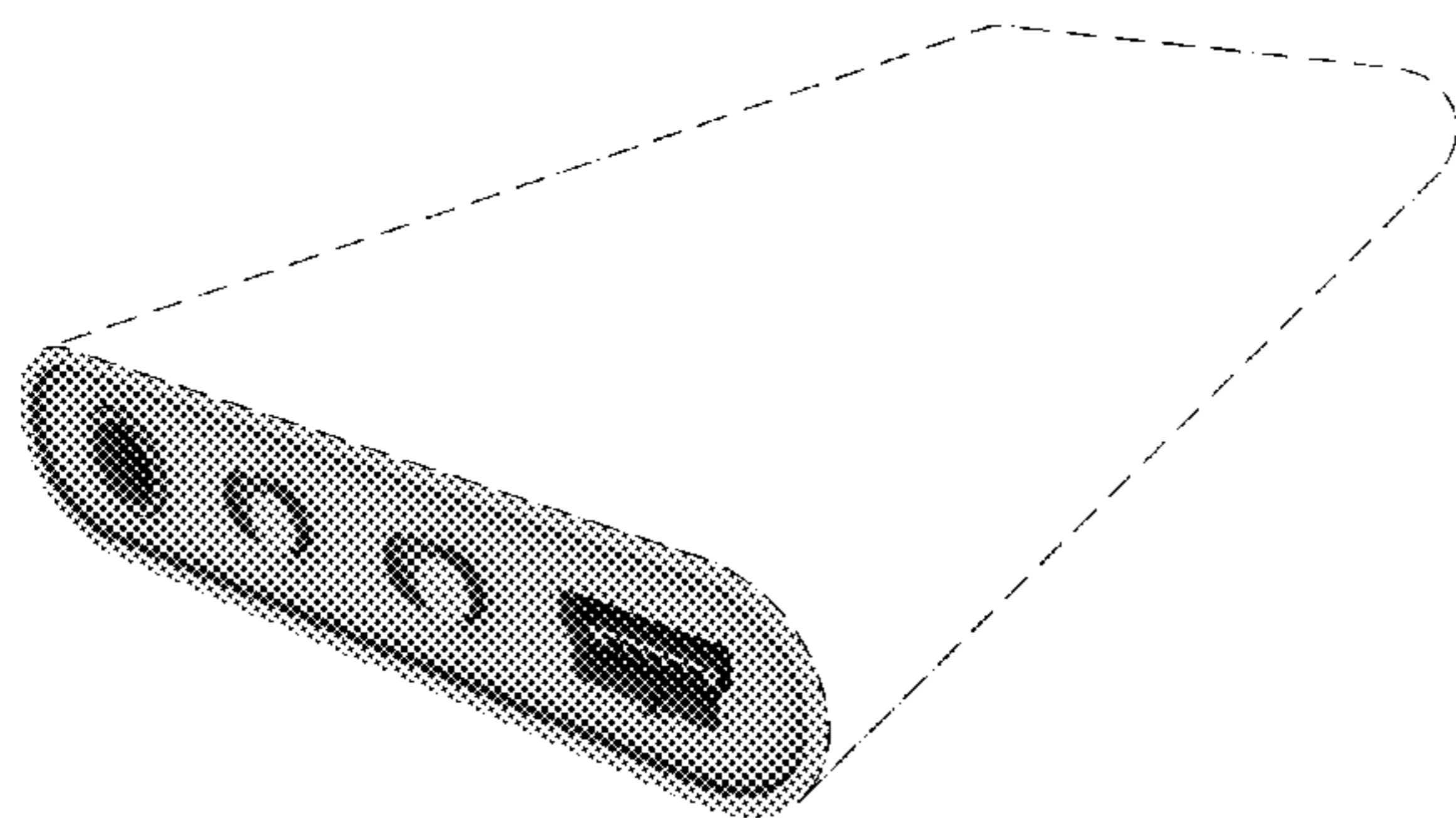
FIG. 4 is a front view thereof;

FIG. 5 is a perspective view of an audio amplifier faceplate showing a third embodiment of my new design; and,

FIG. 6 is a front view thereof.

The broken line showing of a housing is included for the purpose of illustrating environment and forms no part of the claimed design.

1 Claim, 3 Drawing Sheets



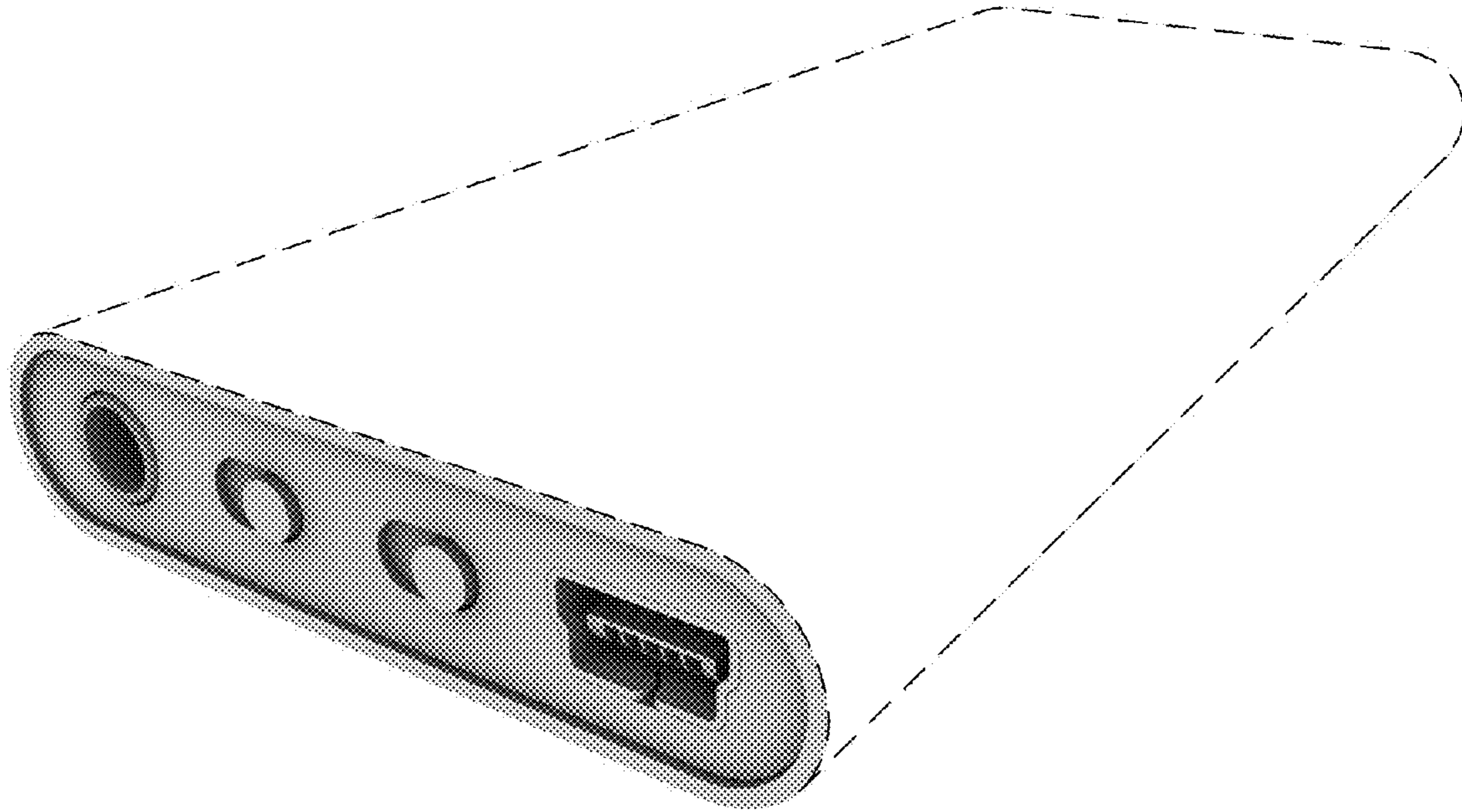


FIG. 1

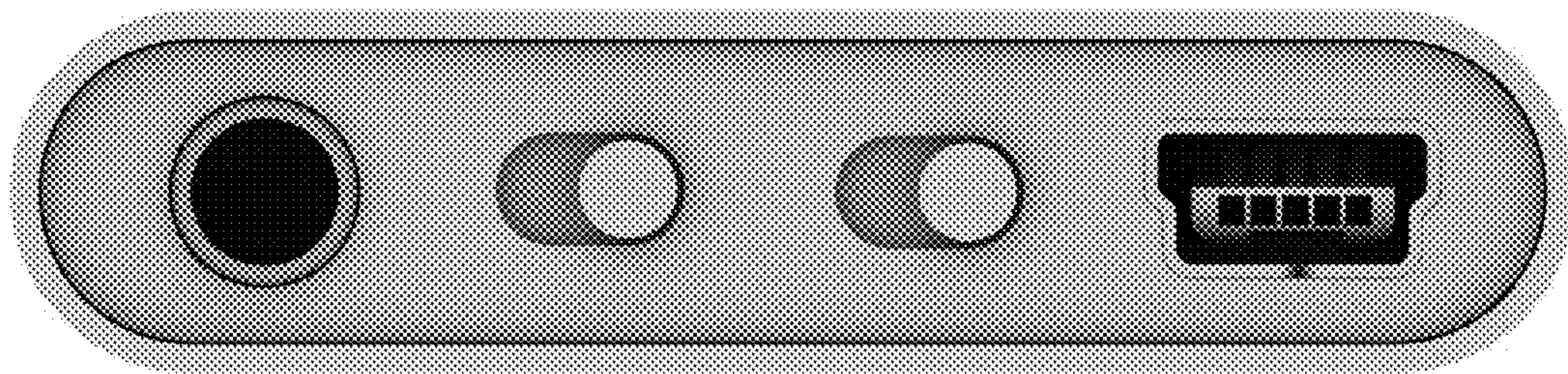


FIG. 2

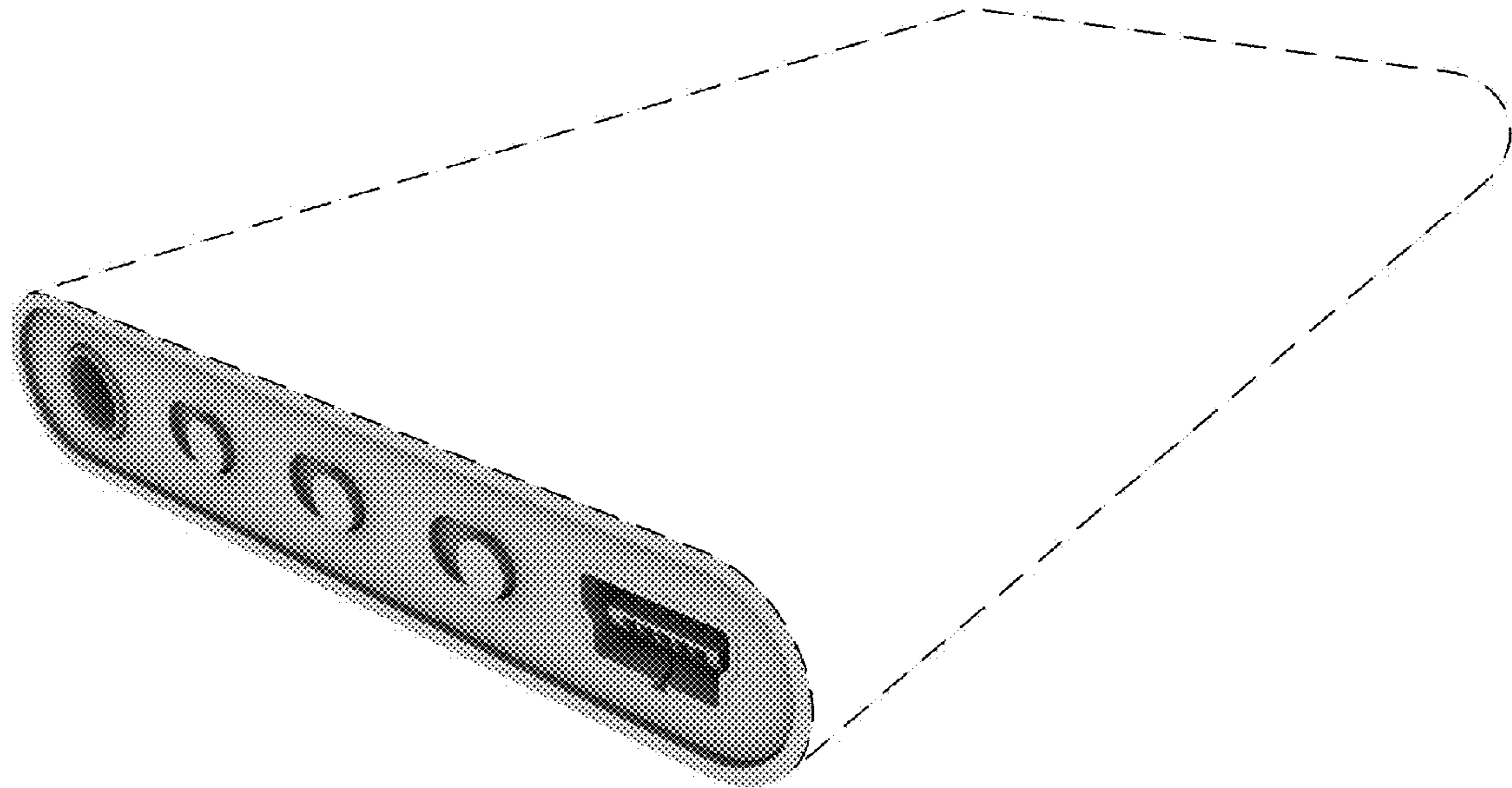


FIG. 3

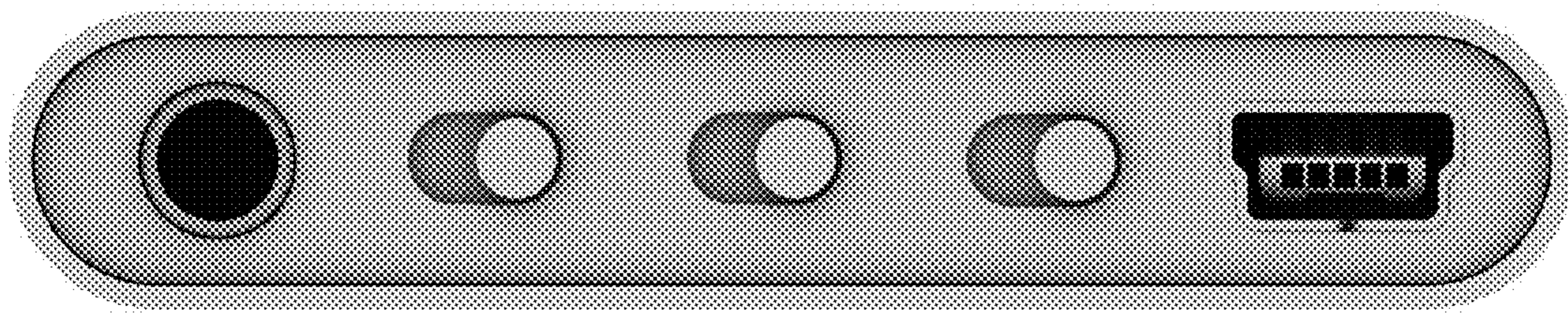


FIG. 4

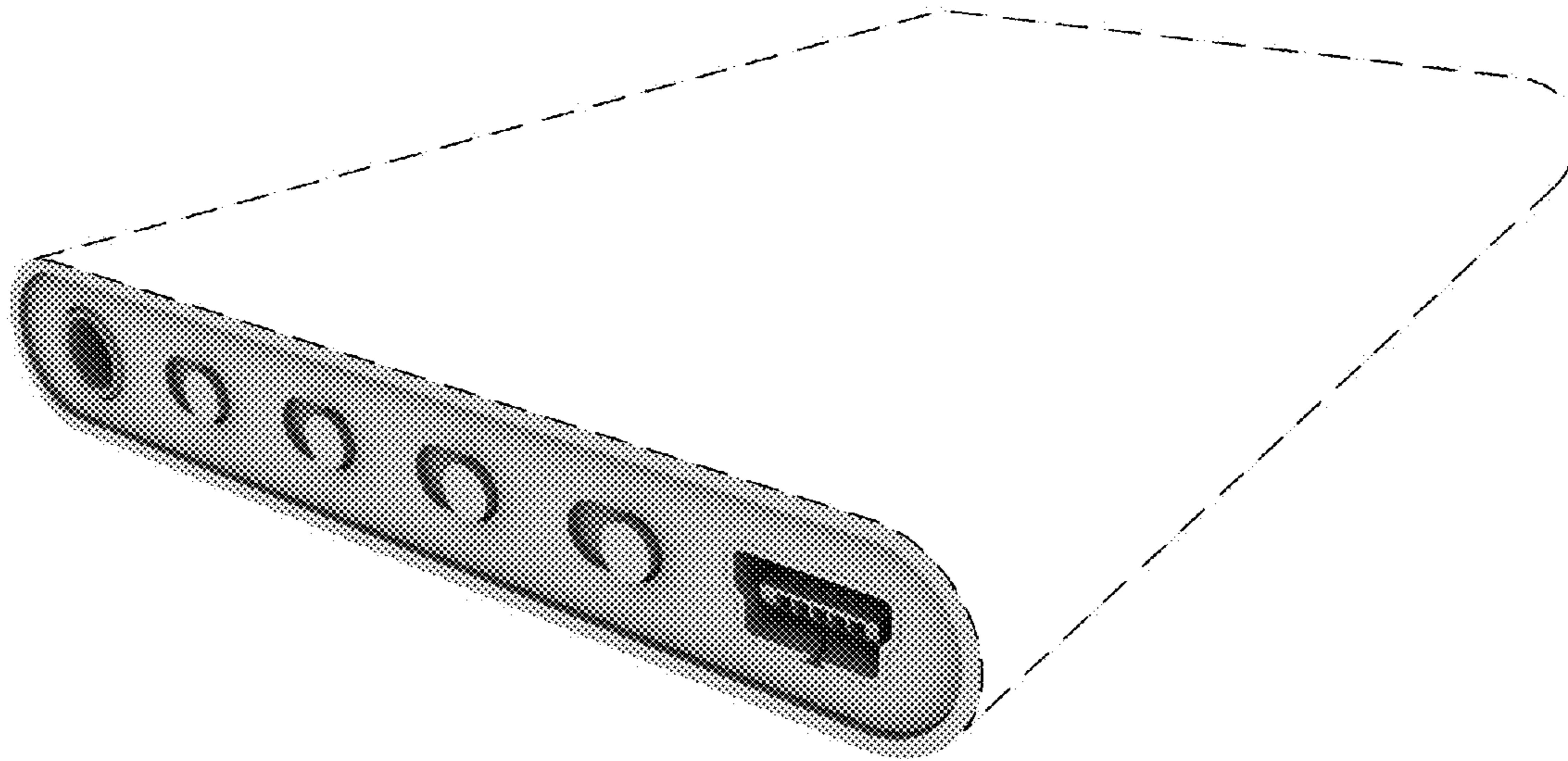


FIG. 5

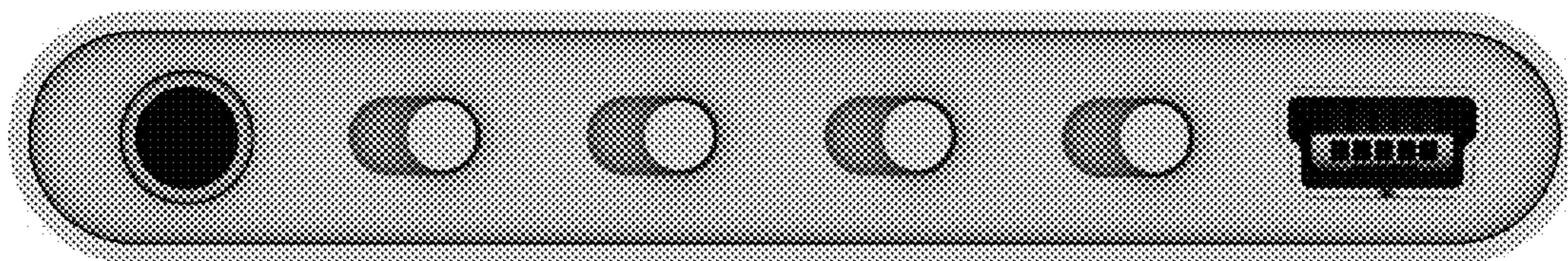


FIG. 6