



US00D648718S

(12) **United States Design Patent**
Andre et al.

(10) **Patent No.:** **US D648,718 S**
(45) **Date of Patent:** **** Nov. 15, 2011**

(54) **COVER**

(75) Inventors: **Bartley K. Andre**, Menlo Park, CA (US); **Daniel J. Coster**, San Francisco, CA (US); **Daniele De Iuliis**, San Francisco, CA (US); **Richard P. Howarth**, San Francisco, CA (US); **Jonathan P. Ive**, San Francisco, CA (US); **Steve Jobs**, Palo Alto, CA (US); **Duncan Robert Kerr**, San Francisco, CA (US); **Shin Nishibori**, Portola Valley, CA (US); **Matthew Dean Rohrbach**, San Francisco, CA (US); **Peter Russell-Clarke**, San Francisco, CA (US); **Douglas B. Satzger**, Menlo Park, CA (US); **Calvin Q. Seid**, Palo Alto, CA (US); **Vincent Keane Seid**, legal representative, Los Gatos, CA (US); **Christopher J. Stringer**, Woodside, CA (US); **Eugene Antony Whang**, San Francisco, CA (US); **Rico Zorkendorfer**, San Francisco, CA (US)

(73) Assignee: **Apple Inc.**, Cupertino, CA (US)

(**) Term: **14 Years**

(21) Appl. No.: **29/380,586**

(22) Filed: **Dec. 8, 2010**

Related U.S. Application Data

(60) Continuation of application No. 29/352,199, filed on Dec. 17, 2009, now Pat. No. Des. 628,799, which is a division of application No. 29/284,329, filed on Sep. 5, 2007, now Pat. No. Des. 619,361.

(51) **LOC (9) Cl.** **14-03**

(52) **U.S. Cl.** **D14/250**

(58) **Field of Classification Search** D3/201, D3/215, 218, 269, 273, 294; D14/138 R, D14/203.3, 203.7, 217-218, 248, 250-253, D14/432, 496, 511

See application file for complete search history.

(56) **References Cited**

U.S. PATENT DOCUMENTS

D423,757 S * 4/2000 Briggs D99/34

(Continued)

Primary Examiner — Philip S Hyder

Assistant Examiner — Roselynn Cody

(74) *Attorney, Agent, or Firm* — Sterne, Kessler, Goldstein & Fox PLLC

(57) **CLAIM**

The ornamental design for a cover, as shown and described.

DESCRIPTION

By way of example, an environment in which the claimed design may also be used is shown and described in co-pending U.S. patent application Ser. Nos. 29/284,186, now U.S. Design Pat. No. D597,521 and U.S. patent application Ser. No. 29/284,187, now U.S. Design Pat. No. D602,014 which are incorporated herein in their entirety by reference thereto. All of the material from application Ser. Nos. 29/284,186 and 29/284,187 that is essential to the claimed design is included herein. Any material in application Ser. Nos. 29/284,186 and 29/284,187 which is not present herein forms no part of the claimed design.

FIG. 1 is a front perspective view of a cover showing our new design;

FIG. 2 is a front view thereof;

FIG. 3 is a rear view thereof;

FIG. 4 is a rear perspective view thereof;

FIG. 5 is a side view thereof;

FIG. 6 is a top plan view thereof;

FIG. 7 is a bottom plan view thereof;

FIG. 8 is a front perspective view of another embodiment of a cover showing our new design;

FIG. 9 is a front view thereof;

FIG. 10 is a rear view thereof;

FIG. 11 is a rear perspective view thereof;

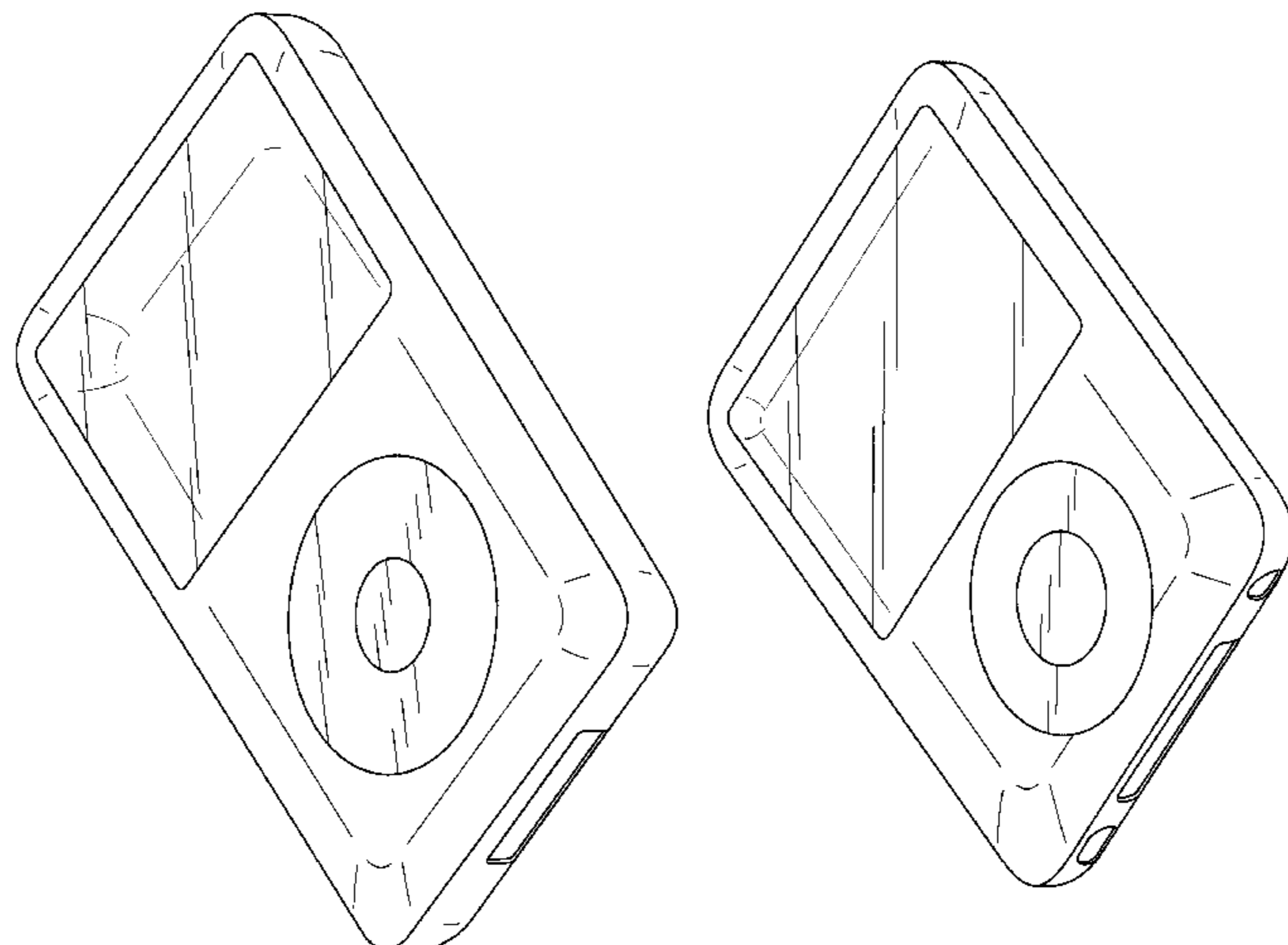
FIG. 12 is a side view thereof;

FIG. 13 is a bottom plan view thereof; and,

FIG. 14 is a top plan view thereof.

The cover can, for example, act as a sleeve, case, label, or skin for an electronic device such as a media player, media storage device, cellular phone, PDA, smart phone, computer and/or the like.

1 Claim, 8 Drawing Sheets



US D648,718 S

Page 2

U.S. PATENT DOCUMENTS

D469,109 S	1/2003	Andre et al.	
D506,476 S	6/2005	Andre et al.	
D516,576 S	3/2006	Ive et al.	
D518,290 S	4/2006	Andre et al.	
D519,275 S *	4/2006	Shertzer	D3/218
D530,079 S *	10/2006	Thomas et al.	D14/203.3
D538,822 S	3/2007	Andre et al.	
D539,530 S *	4/2007	Sanderson et al.	D3/218
D541,298 S	4/2007	Andre et al.	
D542,524 S	5/2007	Richardson et al.	
D547,056 S	7/2007	Griffin et al.	
D548,745 S	8/2007	Andre et al.	
D551,252 S *	9/2007	Andre et al.	D14/496
D551,856 S	10/2007	Ko et al.	
D553,852 S *	10/2007	Brandenburg	D3/218
D556,448 S *	12/2007	Brandenburg	D3/218
D557,205 S *	12/2007	Kim	D13/103
D557,495 S *	12/2007	Chan et al.	D3/218
D558,972 S *	1/2008	Oh	D3/201
D559,267 S *	1/2008	Griffin	D14/496
D566,383 S *	4/2008	Harris et al.	D3/218
D566,962 S *	4/2008	Griffin et al.	D3/218
D568,042 S *	5/2008	Cerullo	D3/218
D568,338 S	5/2008	Andre et al.	
D568,605 S *	5/2008	Harris et al.	D3/218
D570,101 S *	6/2008	Harris et al.	D3/218
D570,102 S *	6/2008	Harris et al.	D3/218
D570,103 S *	6/2008	Harris et al.	D3/218
D570,871 S *	6/2008	Niizawa et al.	D14/496
D570,872 S *	6/2008	Niizawa et al.	D14/496
D570,873 S *	6/2008	Niizawa et al.	D14/496
D570,874 S *	6/2008	Niizawa et al.	D14/496
D570,875 S *	6/2008	Sheba et al.	D14/496
D572,268 S *	7/2008	Niizawa et al.	D14/496
D578,137 S *	10/2008	Sheba et al.	D14/496
D578,138 S *	10/2008	Sheba et al.	D14/496
D578,139 S *	10/2008	Sheba et al.	D14/496
D578,140 S *	10/2008	Sheba et al.	D14/496
D578,141 S *	10/2008	Sheba et al.	D14/496
D581,155 S *	11/2008	Richardson et al.	D3/218
D584,740 S *	1/2009	Sheba et al.	D14/496
D584,741 S *	1/2009	Sheba et al.	D14/496
D584,742 S *	1/2009	Sheba et al.	D14/496
D584,743 S *	1/2009	Sheba et al.	D14/496
D587,008 S *	2/2009	Richardson et al.	D3/218
D593,535 S *	6/2009	Sheba et al.	D14/203.7
D597,521 S	8/2009	Andre et al.	
D597,556 S	8/2009	Andre et al.	
D605,165 S *	12/2009	Sheba et al.	D14/203.7
D605,166 S *	12/2009	Sheba et al.	D14/203.7
D605,167 S *	12/2009	Sheba et al.	D14/203.7
D607,874 S *	1/2010	Sheba et al.	D14/203.7
D615,526 S	5/2010	Andre et al.	
D628,799 S	12/2010	Andre et al.	

* cited by examiner

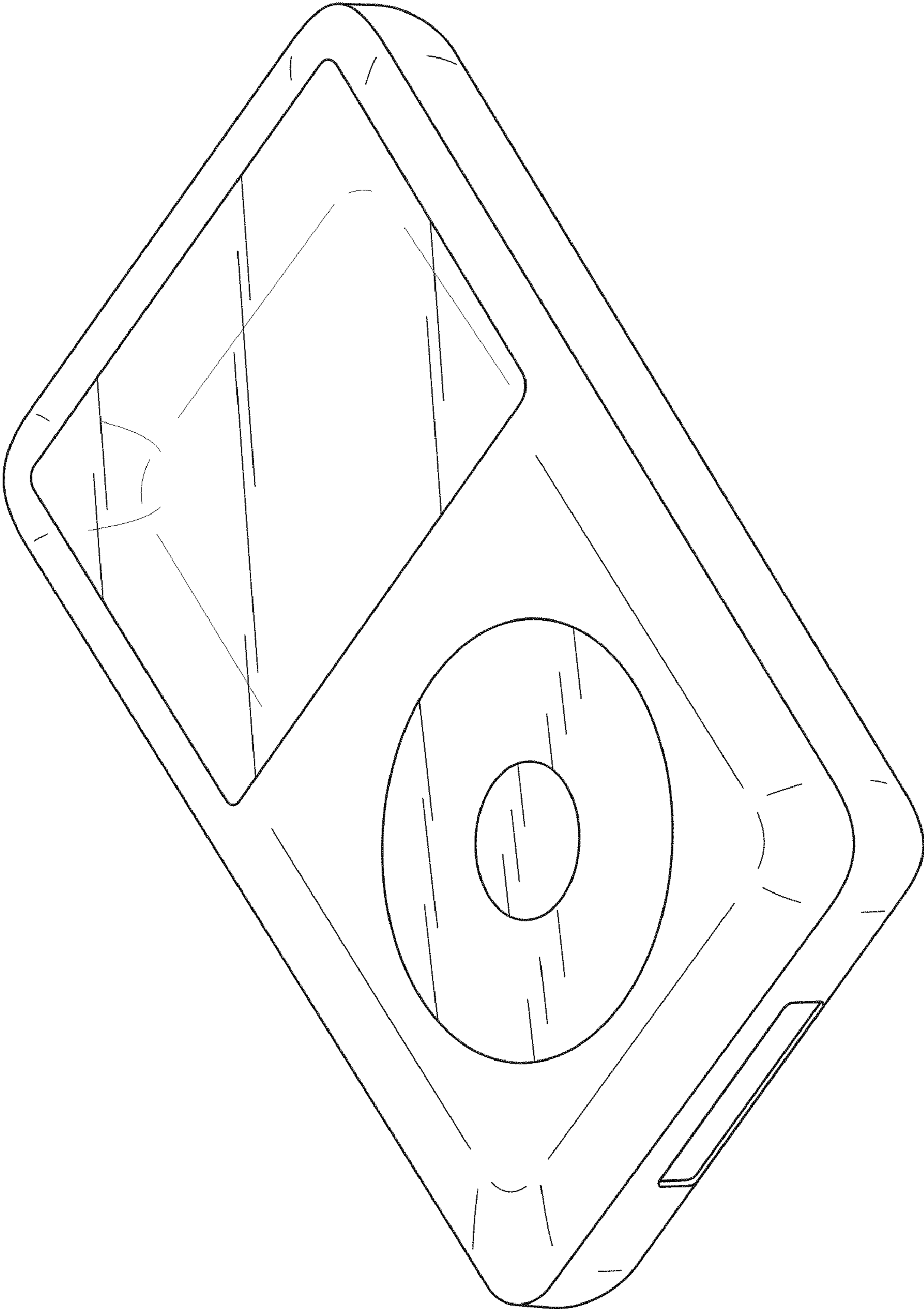


FIG. 1

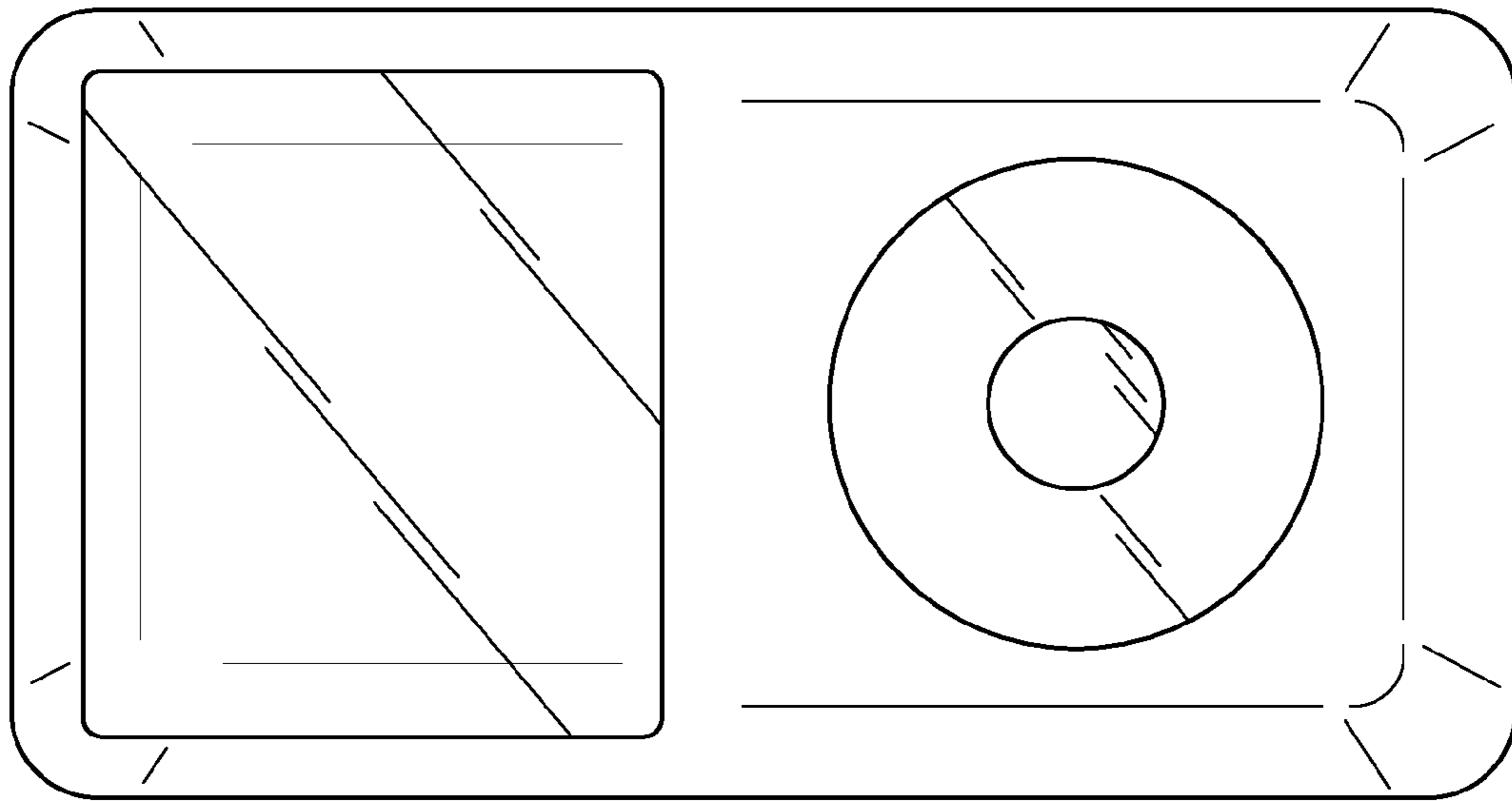


FIG. 2

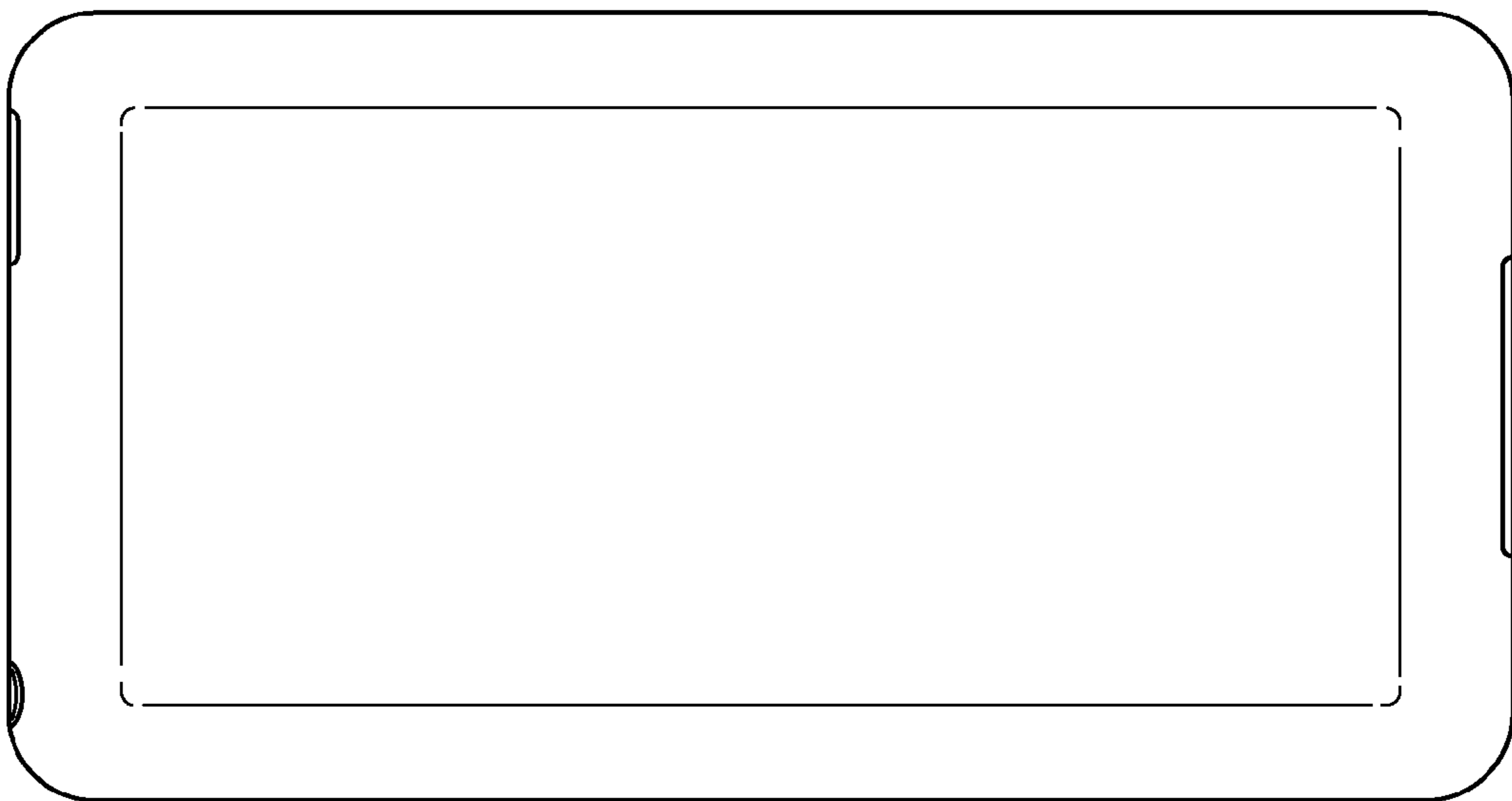


FIG. 3

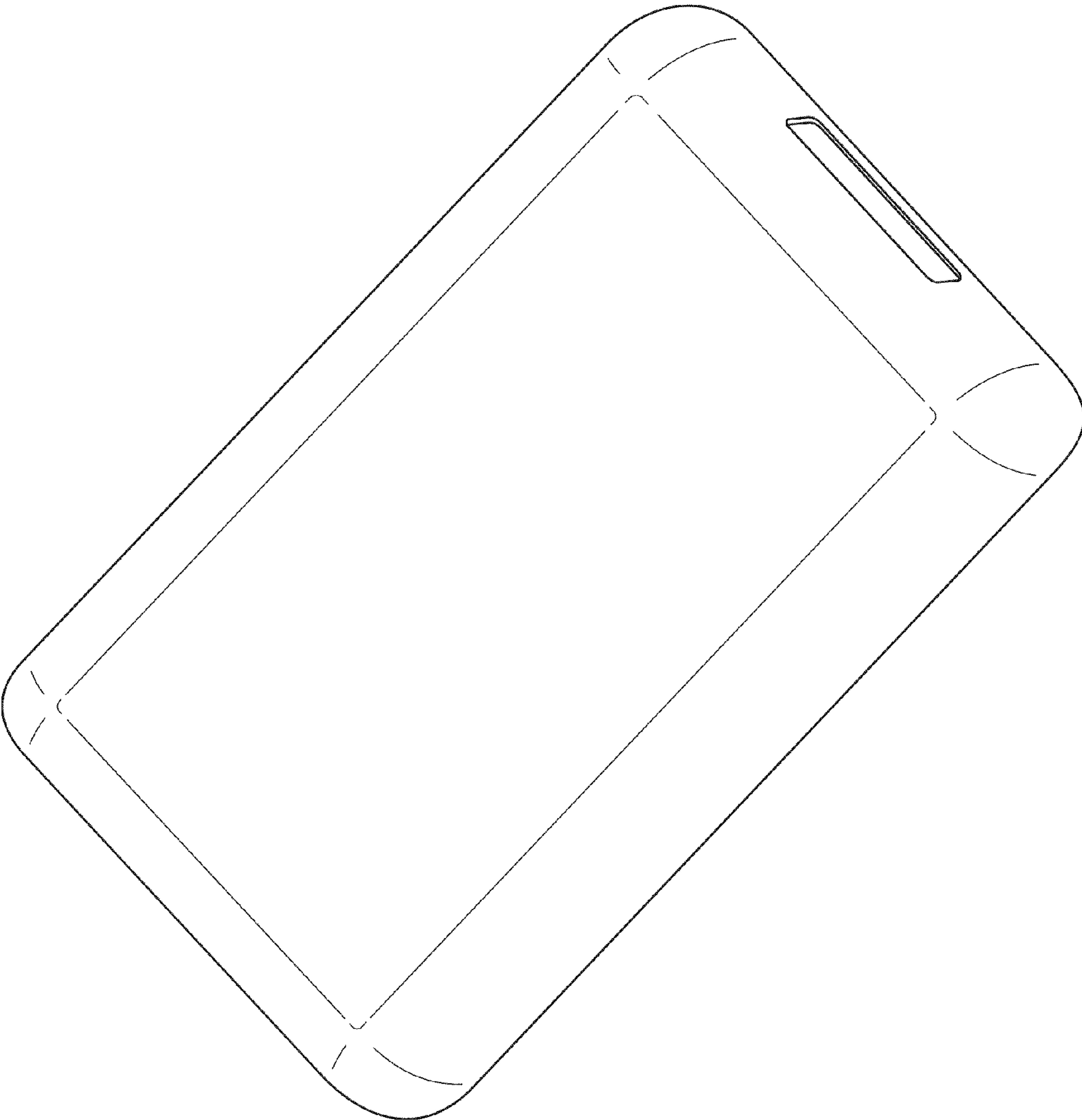


FIG. 4

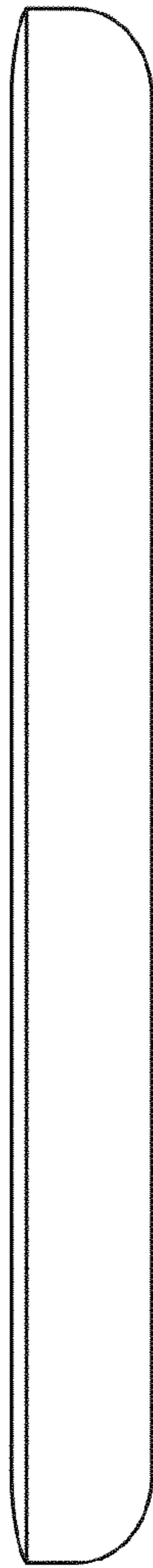


FIG. 5

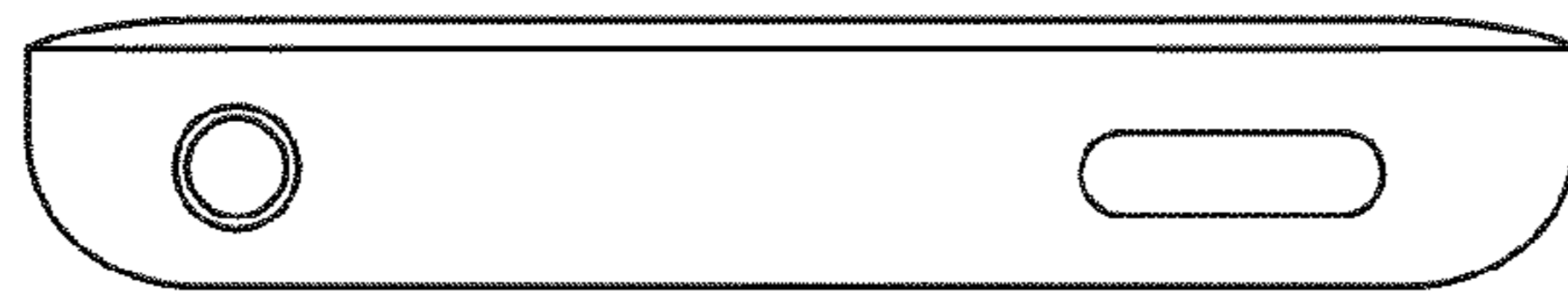


FIG. 6

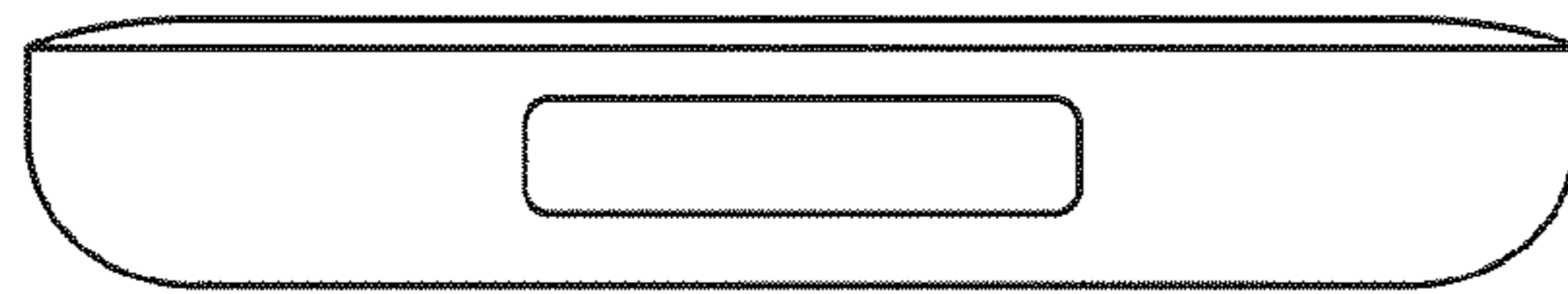


FIG. 7

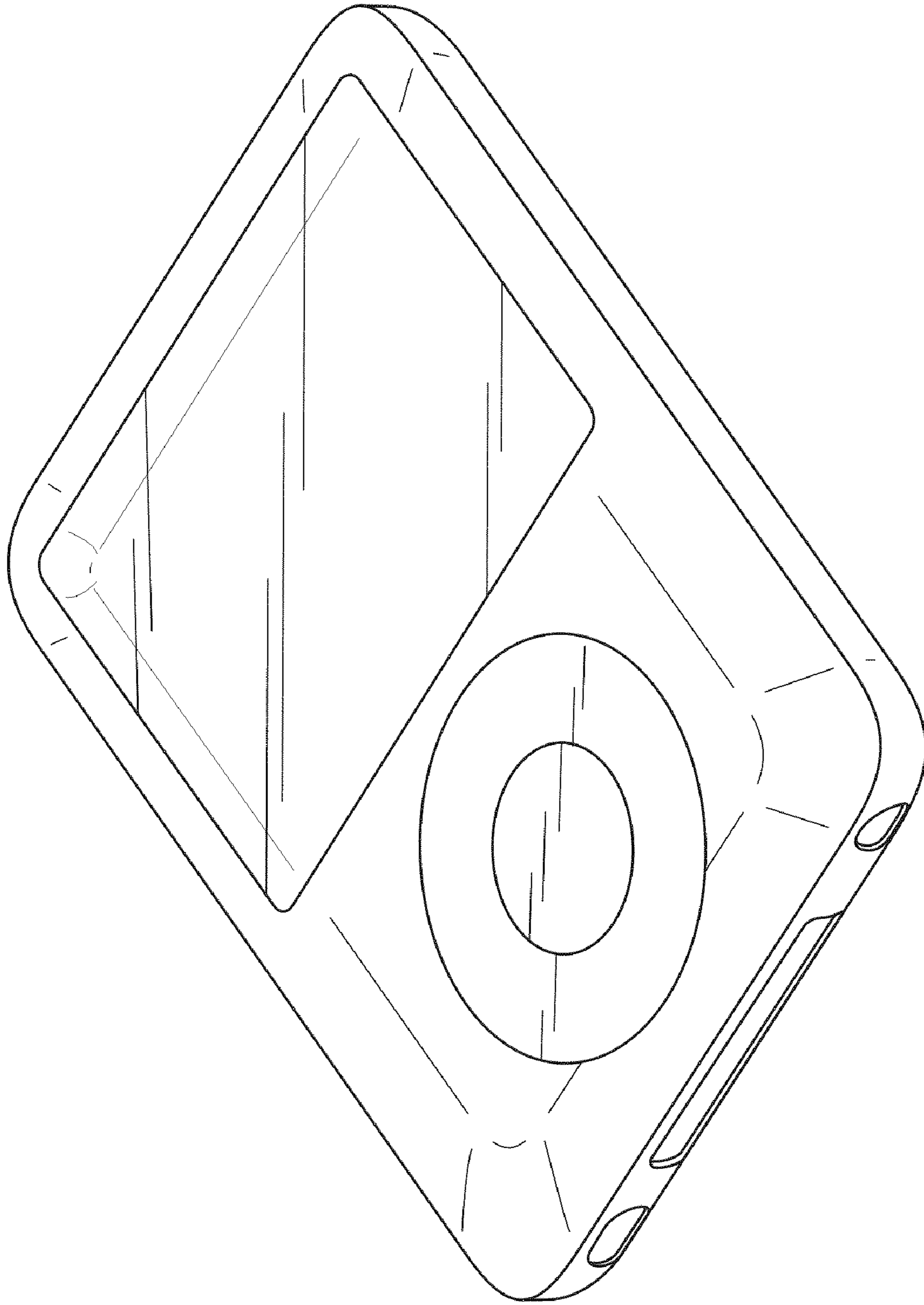


FIG. 8

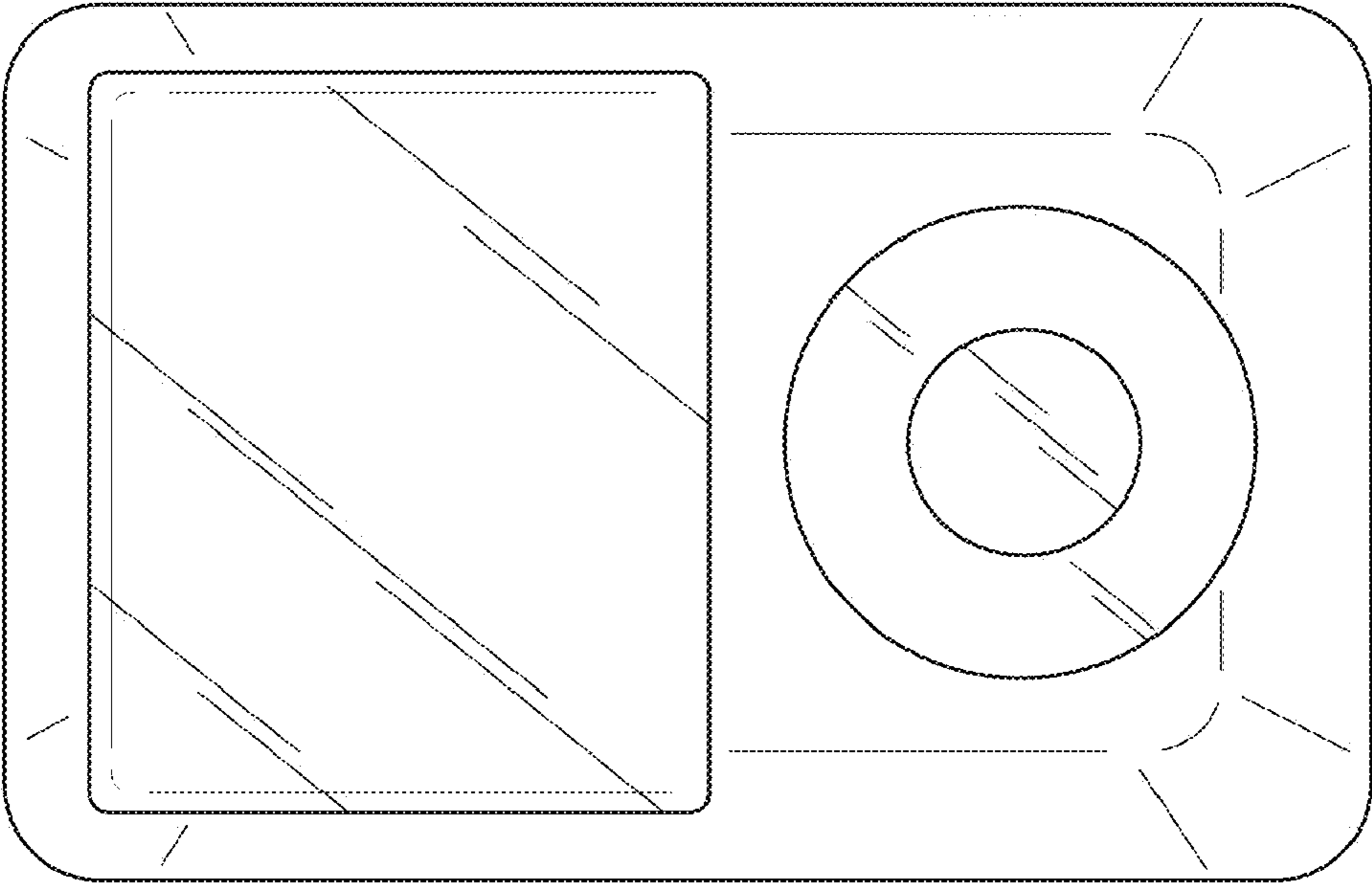


FIG. 9



FIG. 10

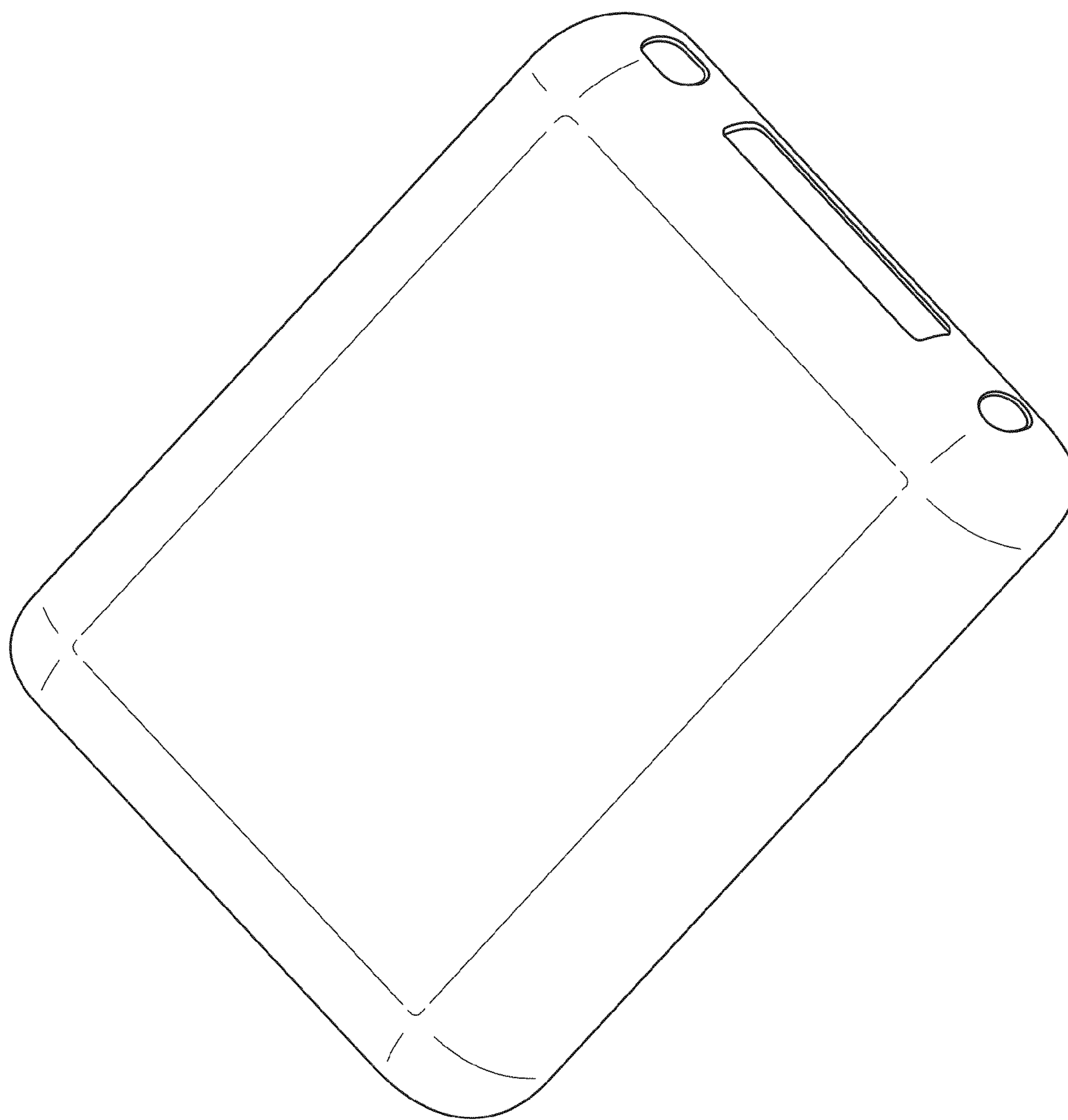


FIG. 11

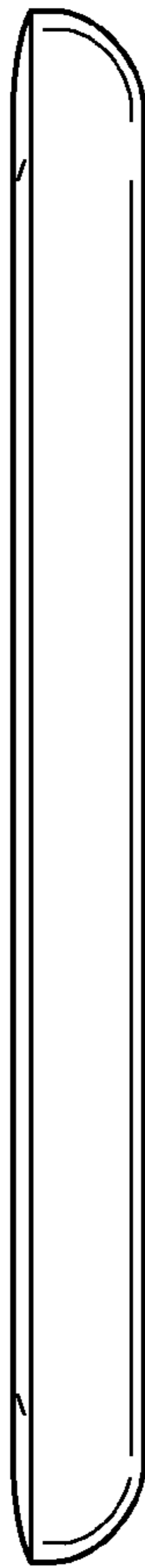


FIG. 12

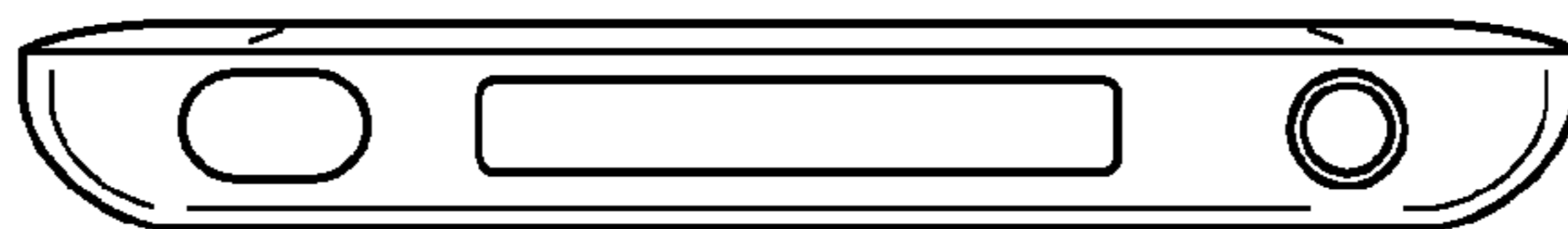


FIG. 13

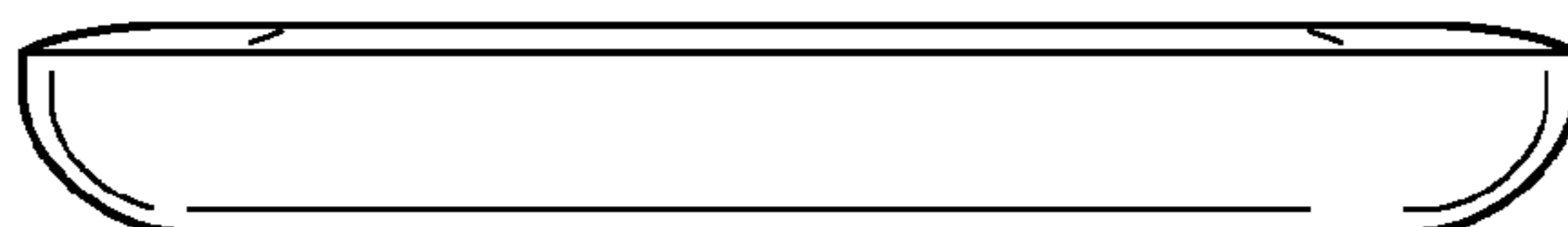


FIG. 14