



US00D648712S

(12) **United States Design Patent**
Brickstad

(10) **Patent No.:** **US D648,712 S**

(45) **Date of Patent:** **** Nov. 15, 2011**

(54) **DISPLAY DEVICE**

(75) Inventor: **Per Brickstad**, Helsinki (FI)

(73) Assignee: **NOKIA Corporation**, Espoo (FI)

(**) Term: **14 Years**

(21) Appl. No.: **29/357,956**

(22) Filed: **Mar. 19, 2010**

(51) **LOC (9) Cl.** **14-03**

(52) **U.S. Cl.** **D14/240; D10/65**

(58) **Field of Classification Search** D14/240-242,
D14/356-358, 371, 341, 140.1-140.6, 140,
D14/155, 159, 137, 149, 150, 217, 170-171,
D14/125, 188, 203.3, 203.4, 203.7, 336;
455/550.1; D13/184, 133, 152, 147; 361/679.4,
361/679.56, 679.03, 679.26; 340/7.54; 439/717,
439/131, 135-147; 370/315, 352; 375/311;
710/300, 301; D10/65; D12/187

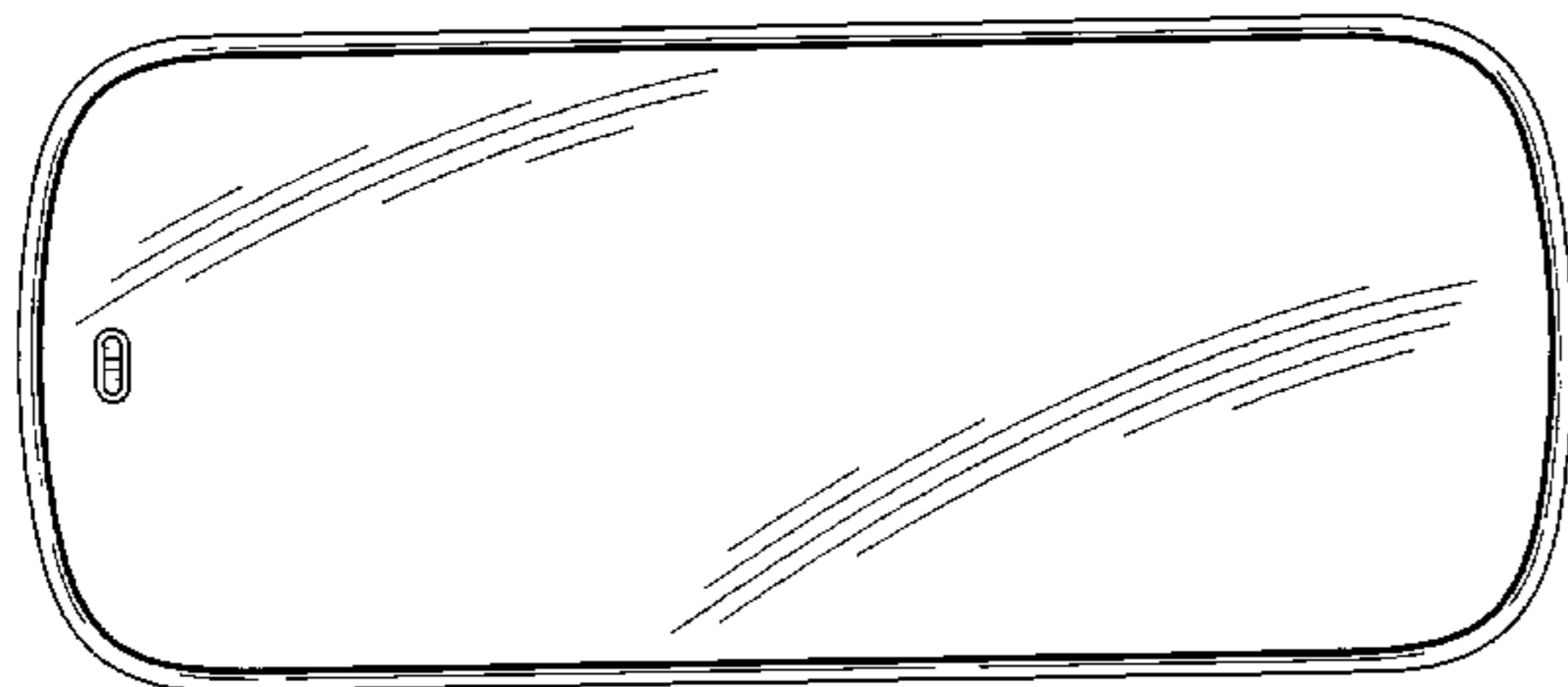
See application file for complete search history.

(56) **References Cited**

U.S. PATENT DOCUMENTS

D325,017 S *	3/1992	Richardson et al.	D12/187
D340,903 S *	11/1993	Wayne	D12/188
D396,851 S *	8/1998	Prusia	D14/439
D478,537 S *	8/2003	Ono	D12/187
D491,156 S *	6/2004	Kawakami et al.	D14/138 G
D535,974 S *	1/2007	Alwicker et al.	D14/188
D536,692 S *	2/2007	Alwicker et al.	D14/188
7,224,324 B2 *	5/2007	Quist et al.	345/7
D561,179 S	2/2008	Sade et al.	
D566,103 S	4/2008	Sade et al.	
D576,611 S *	9/2008	Wilson et al.	D14/225
D583,365 S *	12/2008	Suk et al.	D14/240
D585,411 S	1/2009	Eaton	
D588,113 S	3/2009	Bradford	
D590,377 S	4/2009	Bradford	
D591,739 S *	5/2009	Matsuoka	D14/341
D594,356 S *	6/2009	Riddiford	D10/65
D611,025 S *	3/2010	Yu	D14/138 G
D611,032 S *	3/2010	Kim	D14/188
D625,306 S *	10/2010	Miyawaki	D14/341
D633,423 S *	3/2011	De Wind	D12/187
D633,460 S *	3/2011	Yi et al.	D14/138 G

(Continued)



OTHER PUBLICATIONS

Nokia CK-200 Bluetooth Hands-Free Car Kit, posted May 5, 2010, [online], [site visited Jul. 19, 2011]. Available from Internet, <URL: <http://www.loopycellphones.com/tag/nokia-ck-200/>>.*

Nokia 5800 XpressMusic, Nokia Corporation, 1 color sheet of photographs, disclosed on or about Oct. 2008.

Nokia N97, Nokia Corporation, 1 color sheet of photographs, disclosed on or about Nov. 2008.

(Continued)

Primary Examiner — Jeffrey D Asch

(74) *Attorney, Agent, or Firm* — Banner & Witcoff, Ltd.

(57) **CLAIM**

The ornamental design for a display device, as shown and described.

DESCRIPTION

FIG. 1 is a perspective front view of a display device showing my new design;

FIG. 2 is a front view thereof;

FIG. 3 is a rear view thereof;

FIG. 4 is a left side view thereof;

FIG. 5 is a right side thereof;

FIG. 6 is a top view thereof;

FIG. 7 is a bottom view thereof;

FIG. 8 is a perspective front view of a second embodiment of a display device showing my new design;

FIG. 9 is a front view thereof;

FIG. 10 is a rear view thereof;

FIG. 11 is a left side view thereof;

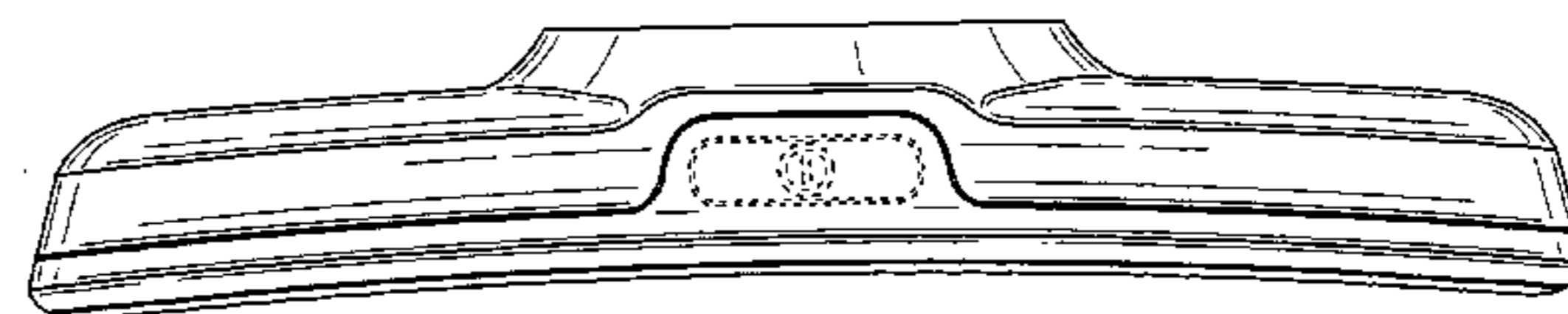
FIG. 12 is a right side view thereof;

FIG. 13 is a top view thereof; and,

FIG. 14 is a bottom view thereof.

The broken lines of the display device in FIGS. 1-7 and the unshaded regions therein are for illustrative purposes only and form no part of the embodiment in which they are shown. The diagonal shading in FIGS. 1 and 2 represent a display screen surface.

1 Claim, 8 Drawing Sheets



US D648,712 S

Page 2

U.S. PATENT DOCUMENTS

D635,535 S * 4/2011 Cho et al. D14/125
D637,576 S * 5/2011 Lee D14/138 AD
D638,761 S * 5/2011 De Wind D12/187
D638,814 S * 5/2011 Sutherland et al. D14/138 G
D639,261 S * 6/2011 Garnham et al. D14/138 G
2008/0058024 A1* 3/2008 Baratono et al. 455/569.2
2010/0197354 A1* 8/2010 Lee et al. 455/566

OTHER PUBLICATIONS

Nokia N810 WiMax, Nokia Corporation, 1 color sheet of photographs, disclosed on or about Summer 2008.

Nokia BH 101, Nokia Corporation, 1 color sheet of photographs, disclosed on or about Dec. 2007.

* cited by examiner

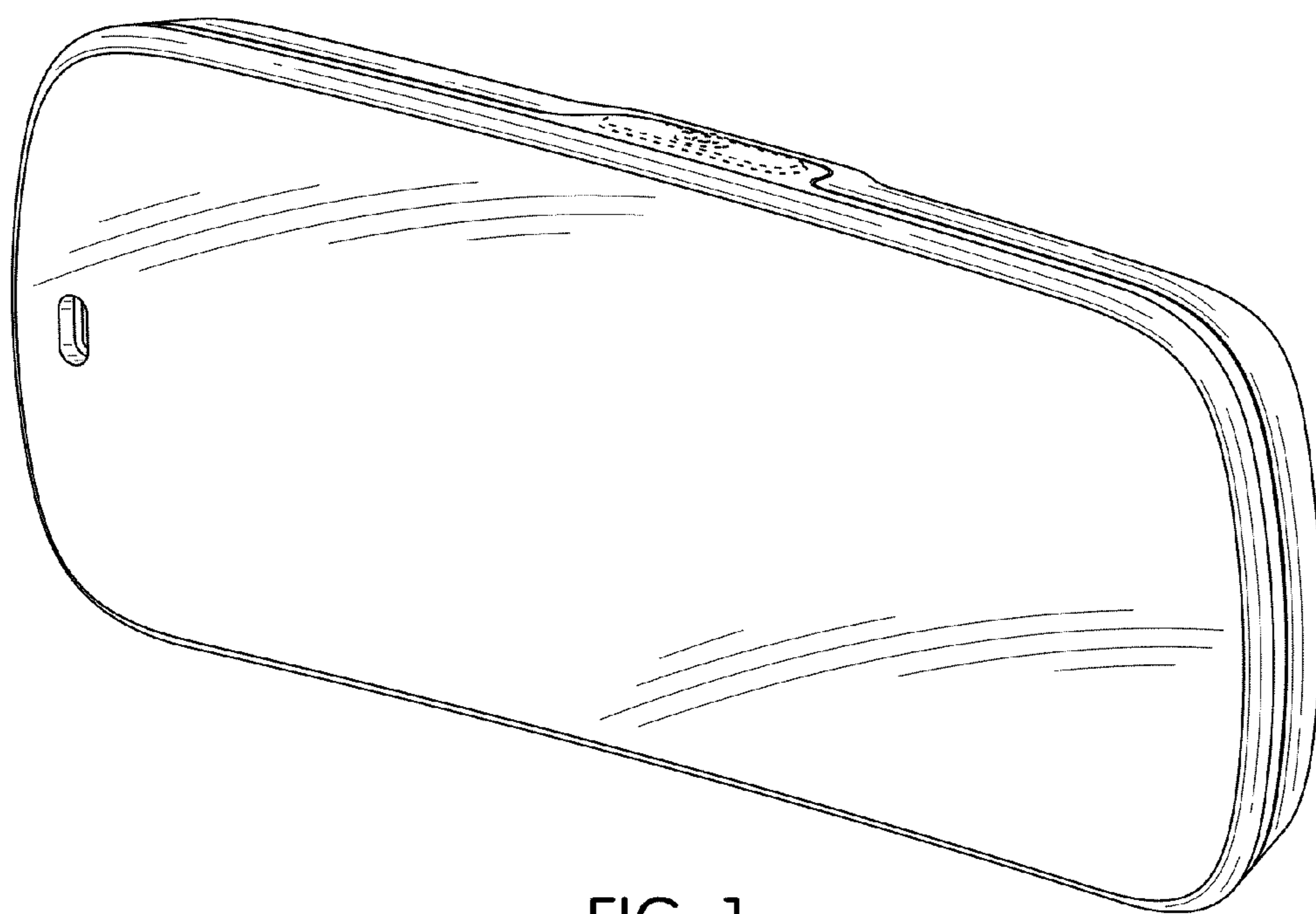


FIG. 1

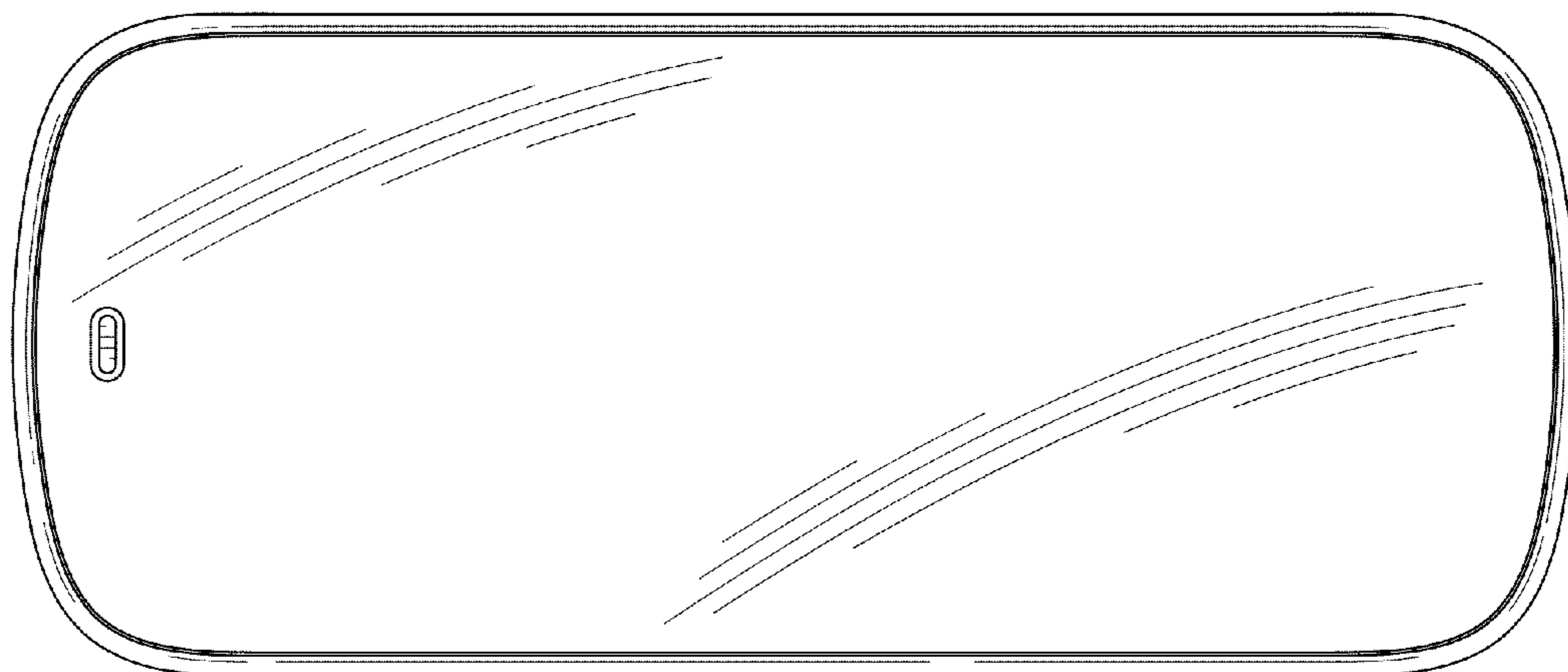


FIG. 2

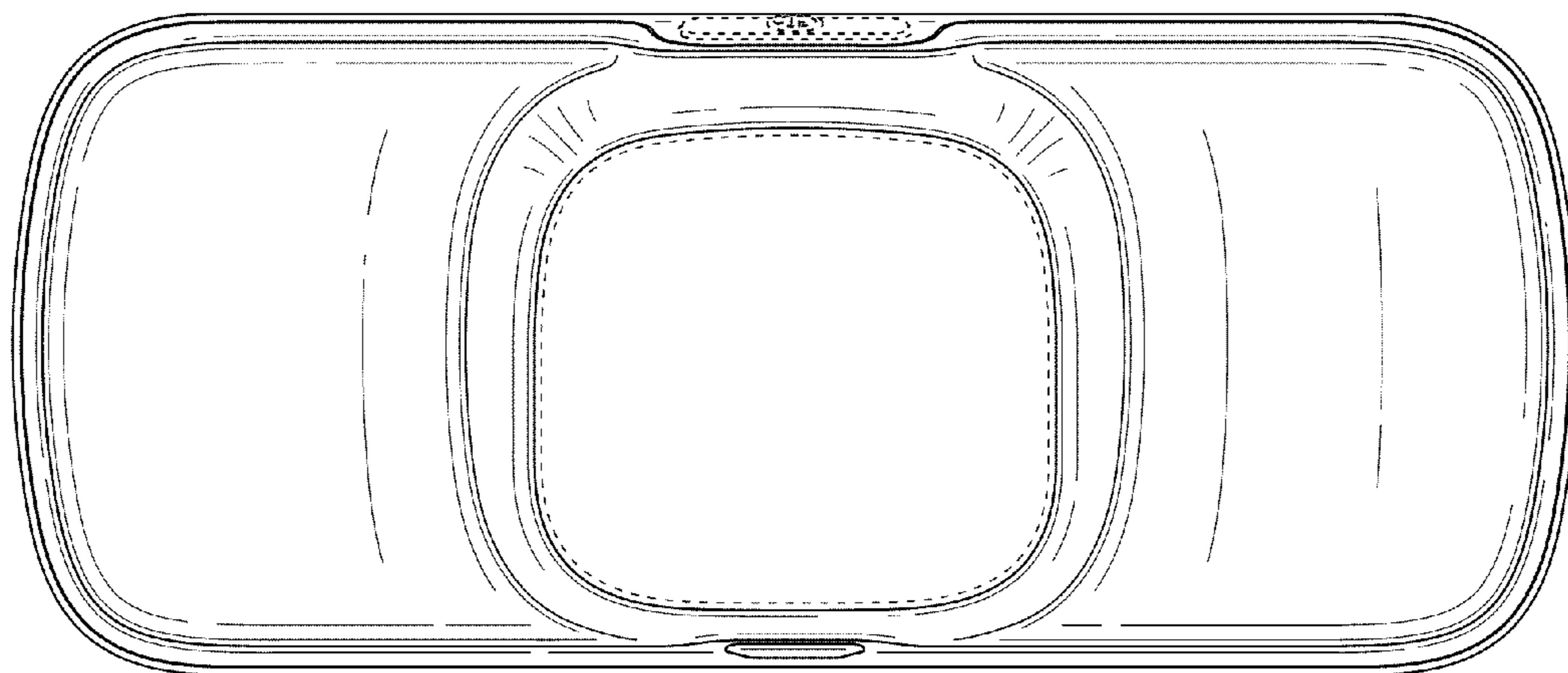


FIG. 3

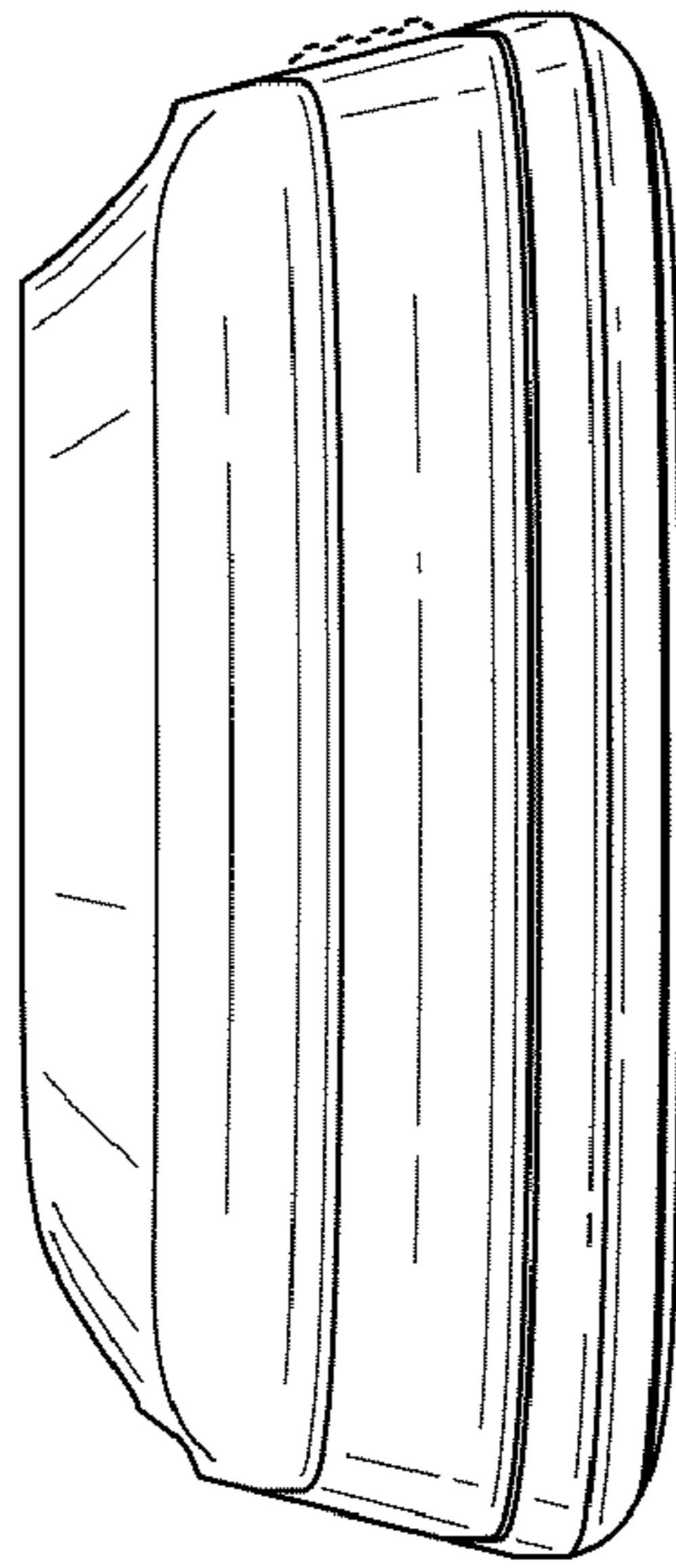


FIG. 4

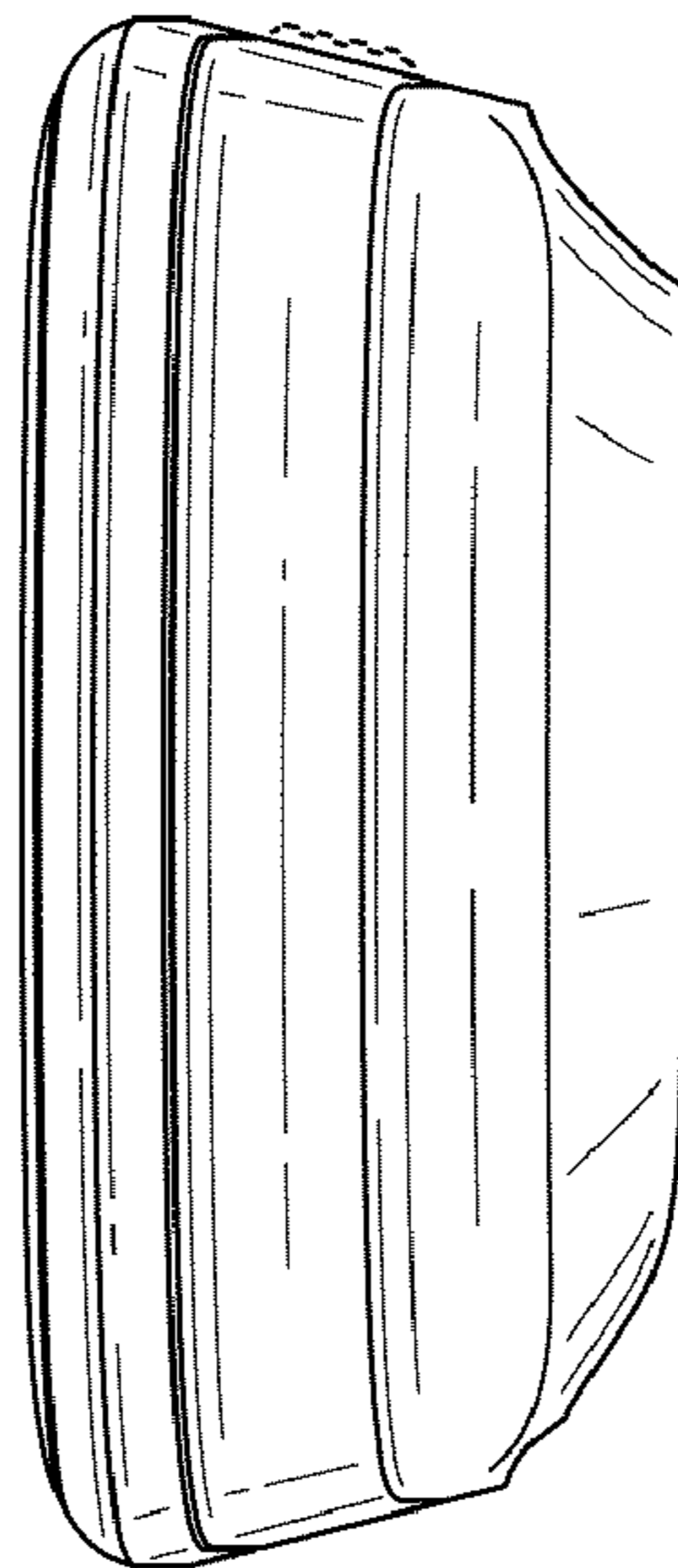


FIG. 5

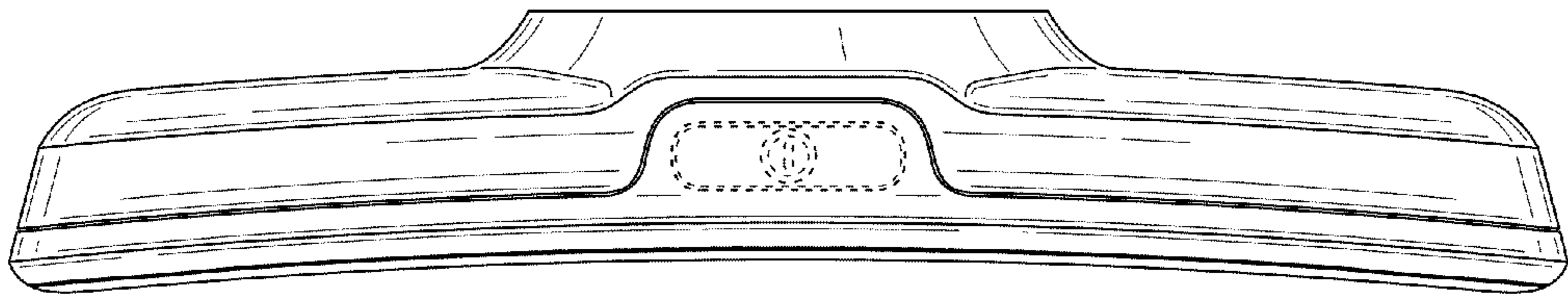


FIG. 6

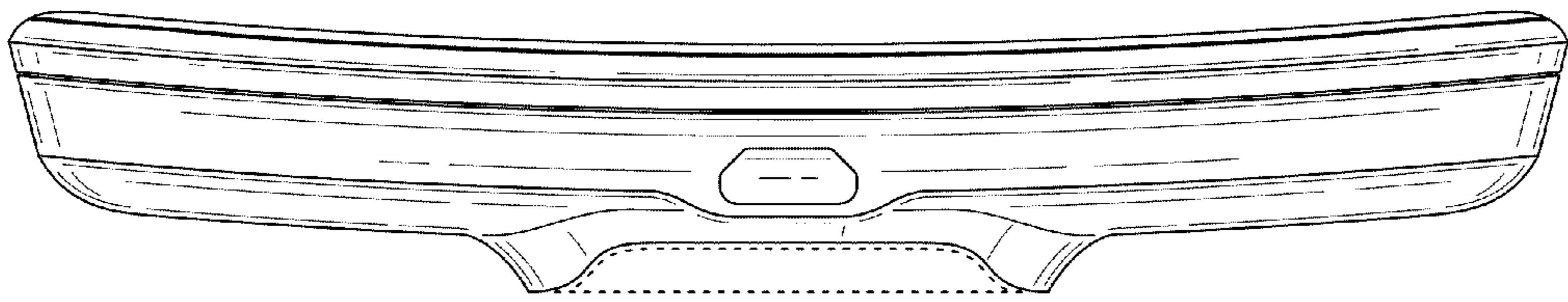


FIG. 7

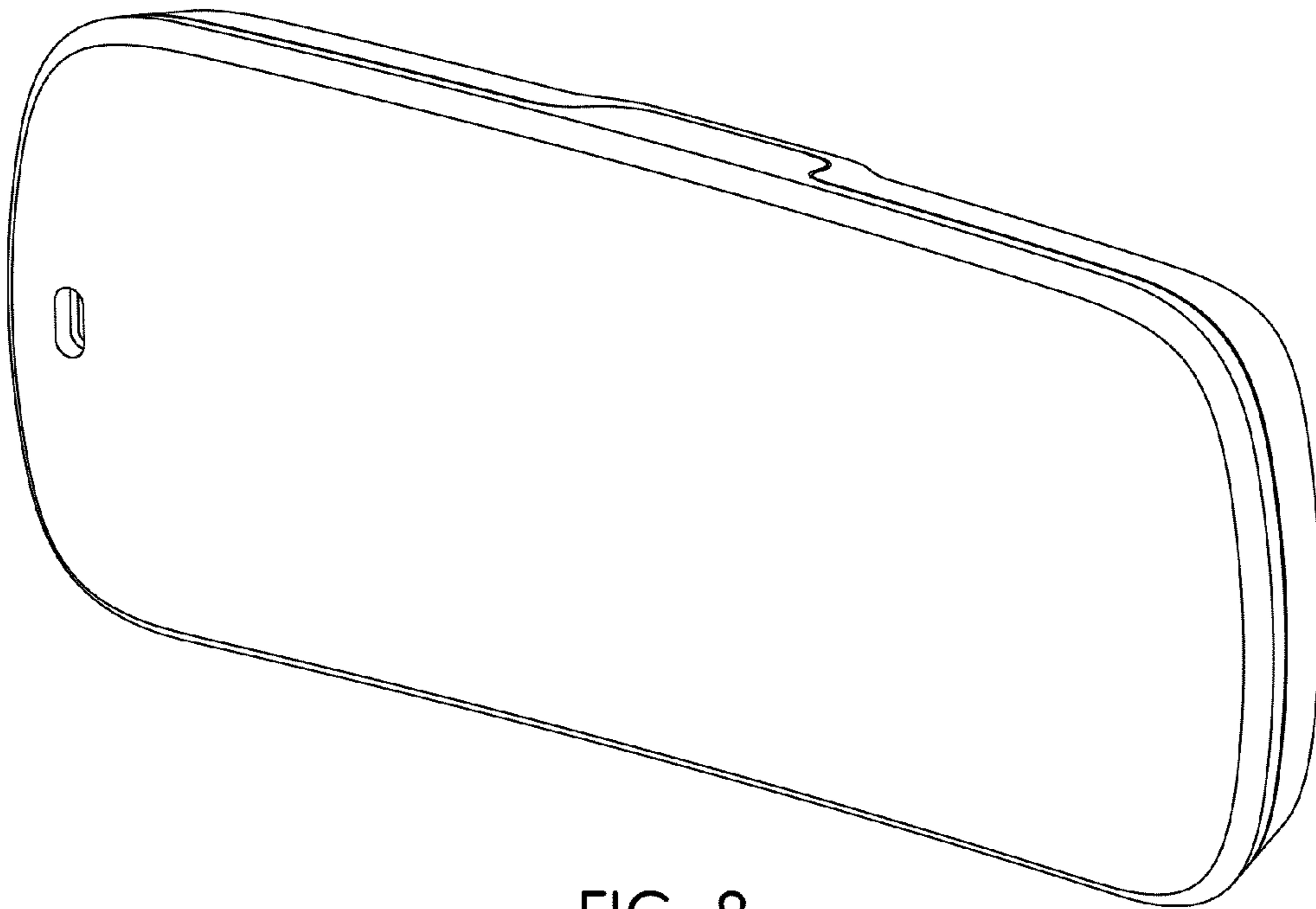


FIG. 8

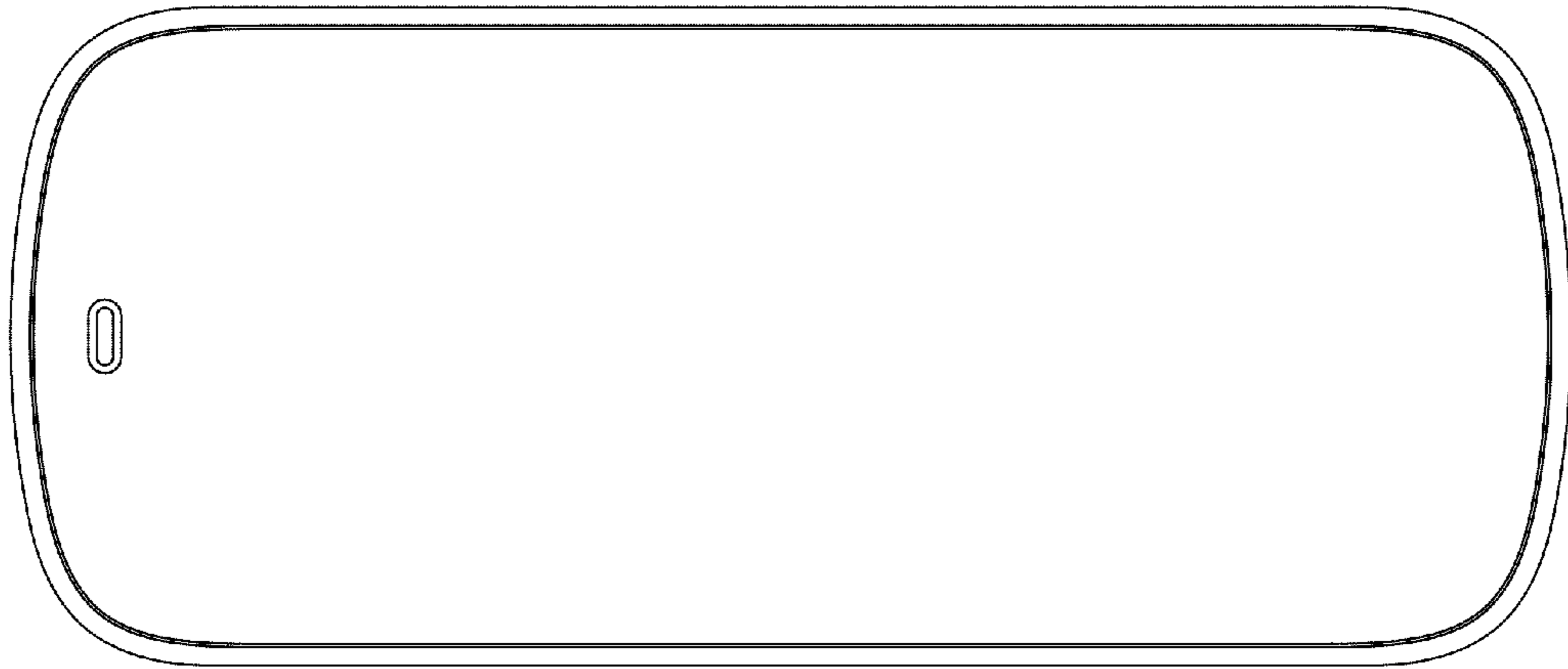


FIG. 9

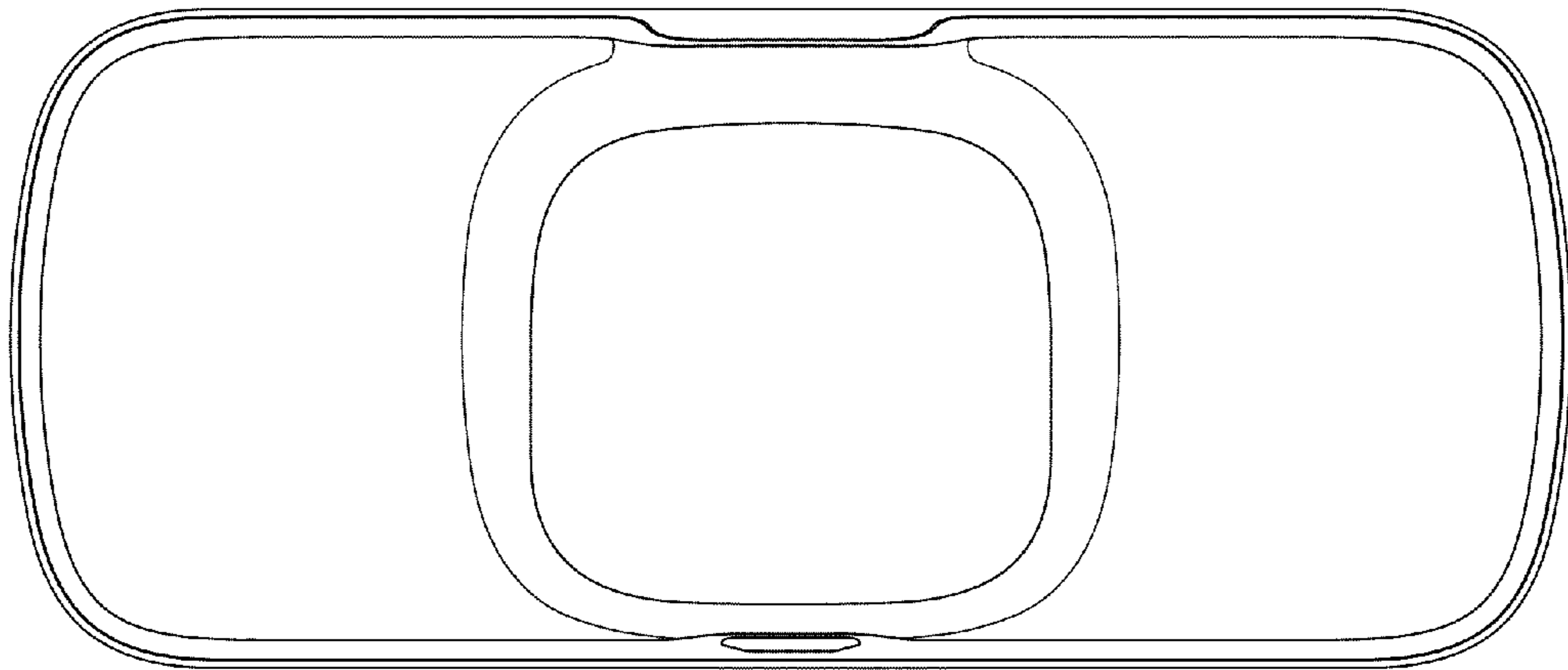


FIG. 10

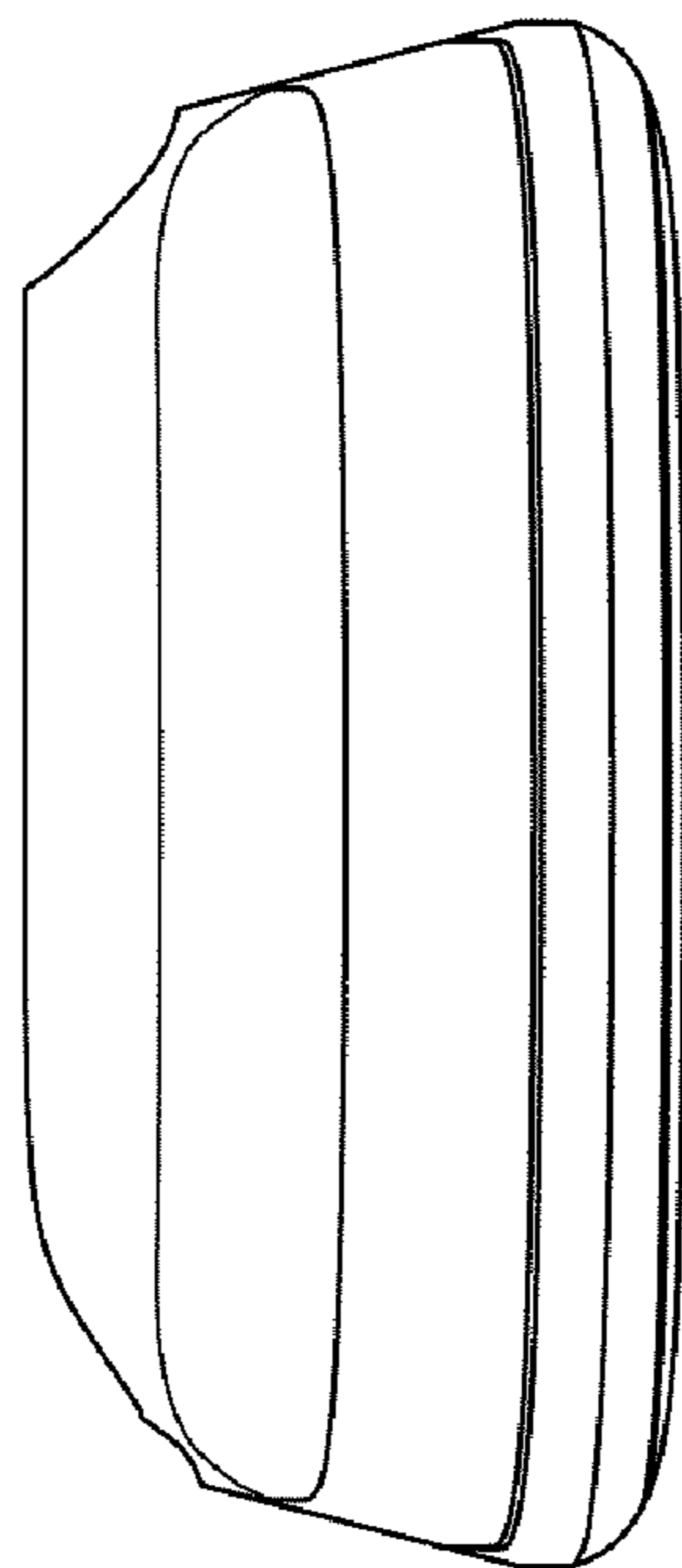


FIG. 11

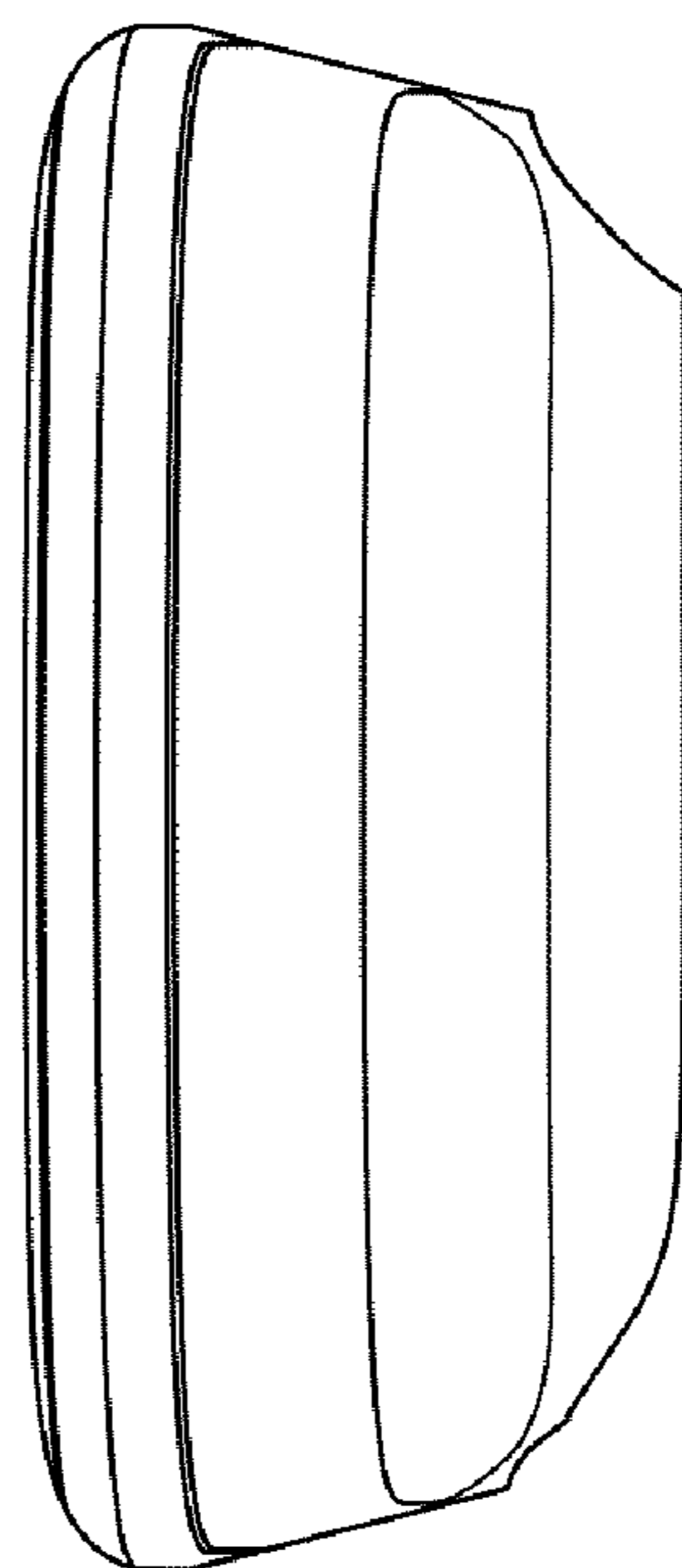


FIG. 12

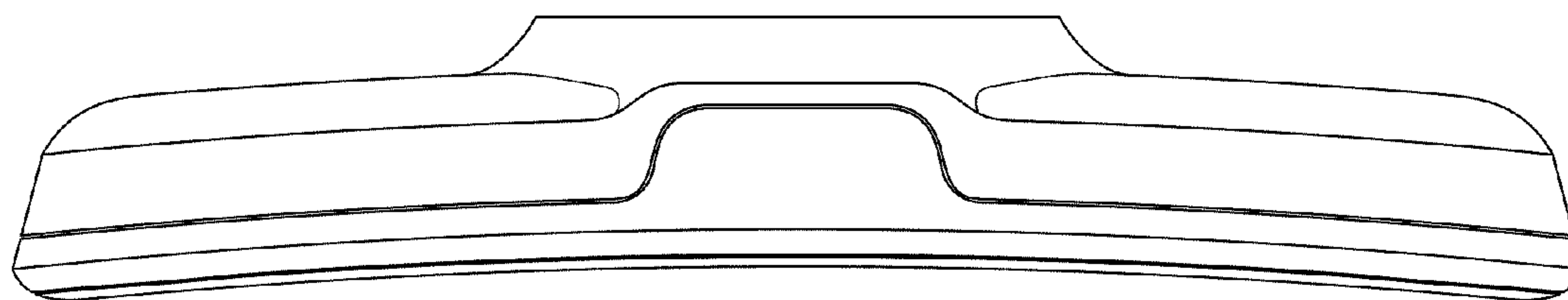


FIG. 13

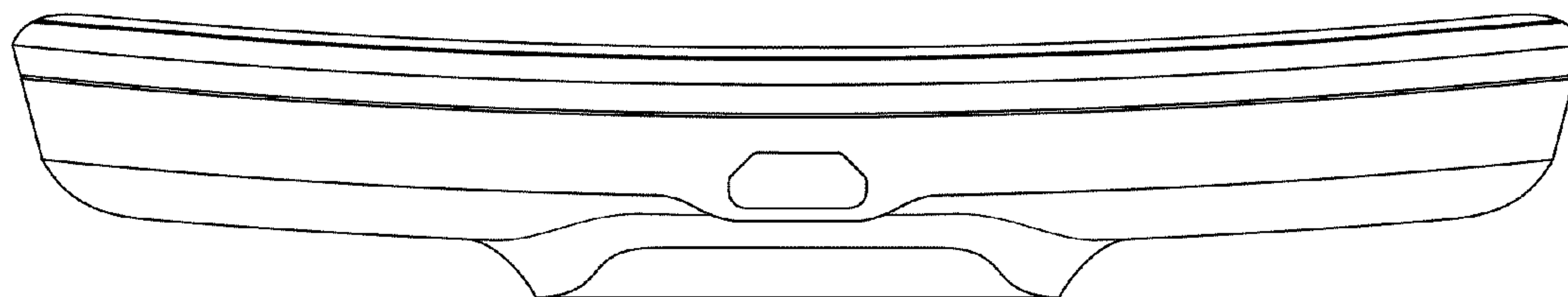


FIG. 14