



US00D648711S

(12) **United States Design Patent**
Iseki

(10) **Patent No.:** **US D648,711 S**
(45) **Date of Patent:** **** Nov. 15, 2011**

(54) **HEADSET**

(75) Inventor: **Daisuke Iseki**, Tokyo (JP)

(73) Assignee: **Sony Corporation**, Tokyo (JP)

(**) Term: **14 Years**

(21) Appl. No.: **29/371,225**

(22) Filed: **Dec. 3, 2010**

(30) **Foreign Application Priority Data**

Jun. 4, 2010 (CN) 2010 3 0200180

(51) **LOC (9) Cl.** **14-01**

(52) **U.S. Cl.** **D14/225**

(58) **Field of Classification Search** D14/225,
D14/205, 206, 223, 249, 192, 188; 181/129,
181/130; 379/430, 431; 381/380, 381, 382,
381/370, 375; 455/90.3, 569.1, 575.2

See application file for complete search history.

(56) **References Cited**

U.S. PATENT DOCUMENTS

2,360,027	A *	10/1944	Werner	379/430
3,621,156	A *	11/1971	Kliewer	379/430
D266,242	S *	9/1982	Radzelovage	D14/225
D342,946	S	1/1994	Hyogo		
D357,477	S *	4/1995	Mueller et al.	D14/206
D373,360	S	9/1996	Kanno		
D406,140	S *	2/1999	Hall et al.	D14/205
D410,466	S	6/1999	Mouri		
D435,249	S	12/2000	Yasutomi		
D443,603	S *	6/2001	Taylor et al.	D14/206
D455,417	S *	4/2002	Bey et al.	D14/223
D463,784	S *	10/2002	Taylor et al.	D14/206
D504,414	S	4/2005	Yoshida		

D517,528	S *	3/2006	Skulley	D14/206
D525,235	S	7/2006	Koizumi		
D529,483	S *	10/2006	Kim et al.	D14/223
D531,165	S *	10/2006	Rath	D14/206
D537,815	S *	3/2007	Bentley et al.	D14/225
D540,303	S *	4/2007	Rausch et al.	D14/205
D540,778	S *	4/2007	Thompson et al.	D14/206
D541,256	S *	4/2007	Rausch et al.	D14/205
D542,774	S *	5/2007	Rausch et al.	D14/206
D589,492	S *	3/2009	Mistry	D14/205
D602,906	S *	10/2009	Groves et al.	D14/205
D602,908	S *	10/2009	Ham et al.	D14/206
D612,835	S *	3/2010	Yang et al.	D14/206
D612,840	S *	3/2010	Yang et al.	D14/223
D640,232	S *	6/2011	Brandis	D14/206

FOREIGN PATENT DOCUMENTS

JP D1124201 S 10/2001

* cited by examiner

Primary Examiner — Paula Greene

(74) *Attorney, Agent, or Firm* — Rader, Fishman & Grauer PLLC

(57) **CLAIM**

The ornamental design for a headset, as shown and described.

DESCRIPTION

FIG. 1 is a perspective view of a headset showing my new design;

FIG. 2 is a front elevational view thereof;

FIG. 3 is a rear elevational view thereof;

FIG. 4 is a left side elevational view thereof;

FIG. 5 is a right side elevational view thereof;

FIG. 6 is a top plan view thereof; and,

FIG. 7 is a bottom plan view thereof.

The broken lines form no part of the claimed design.

1 Claim, 7 Drawing Sheets

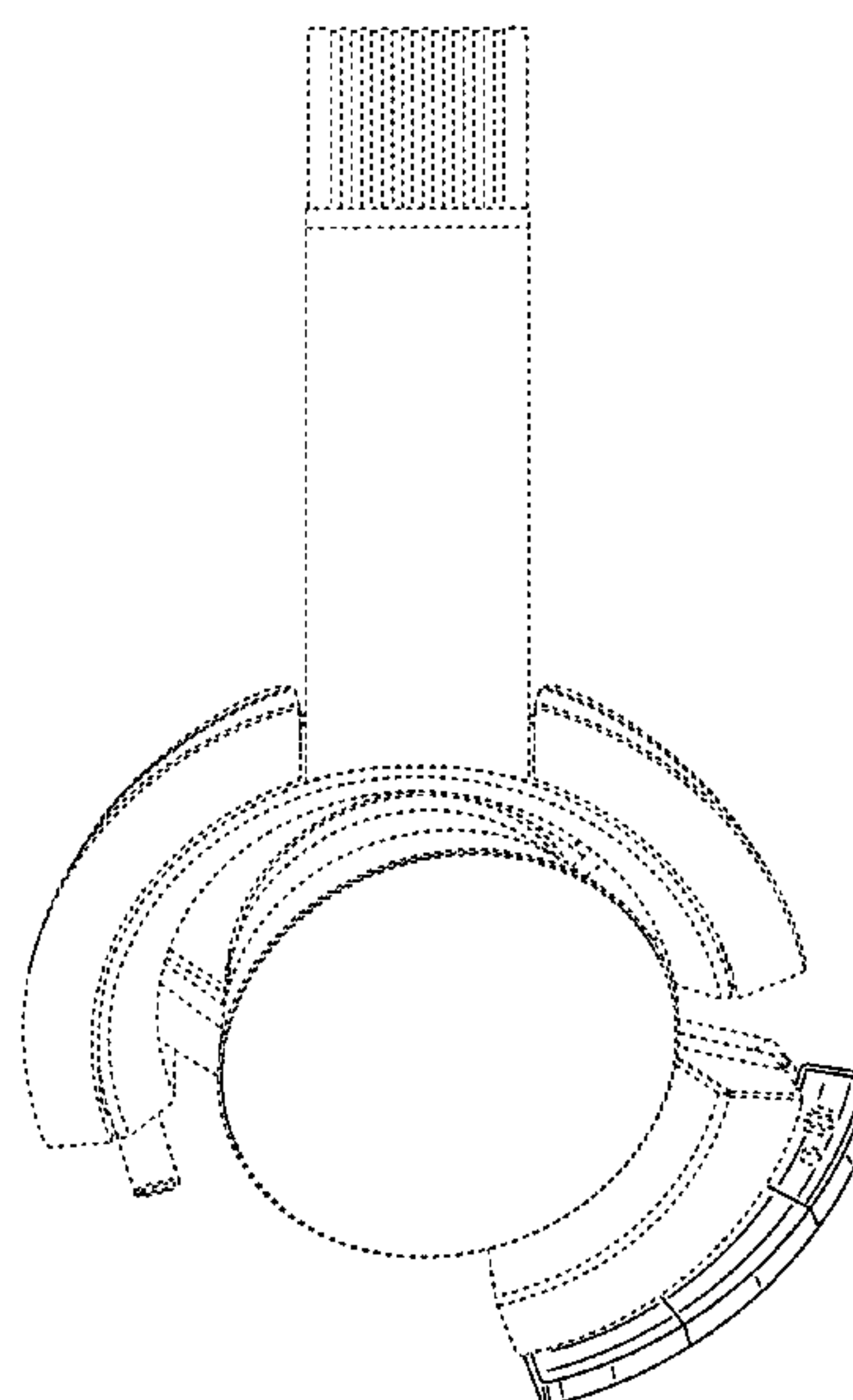
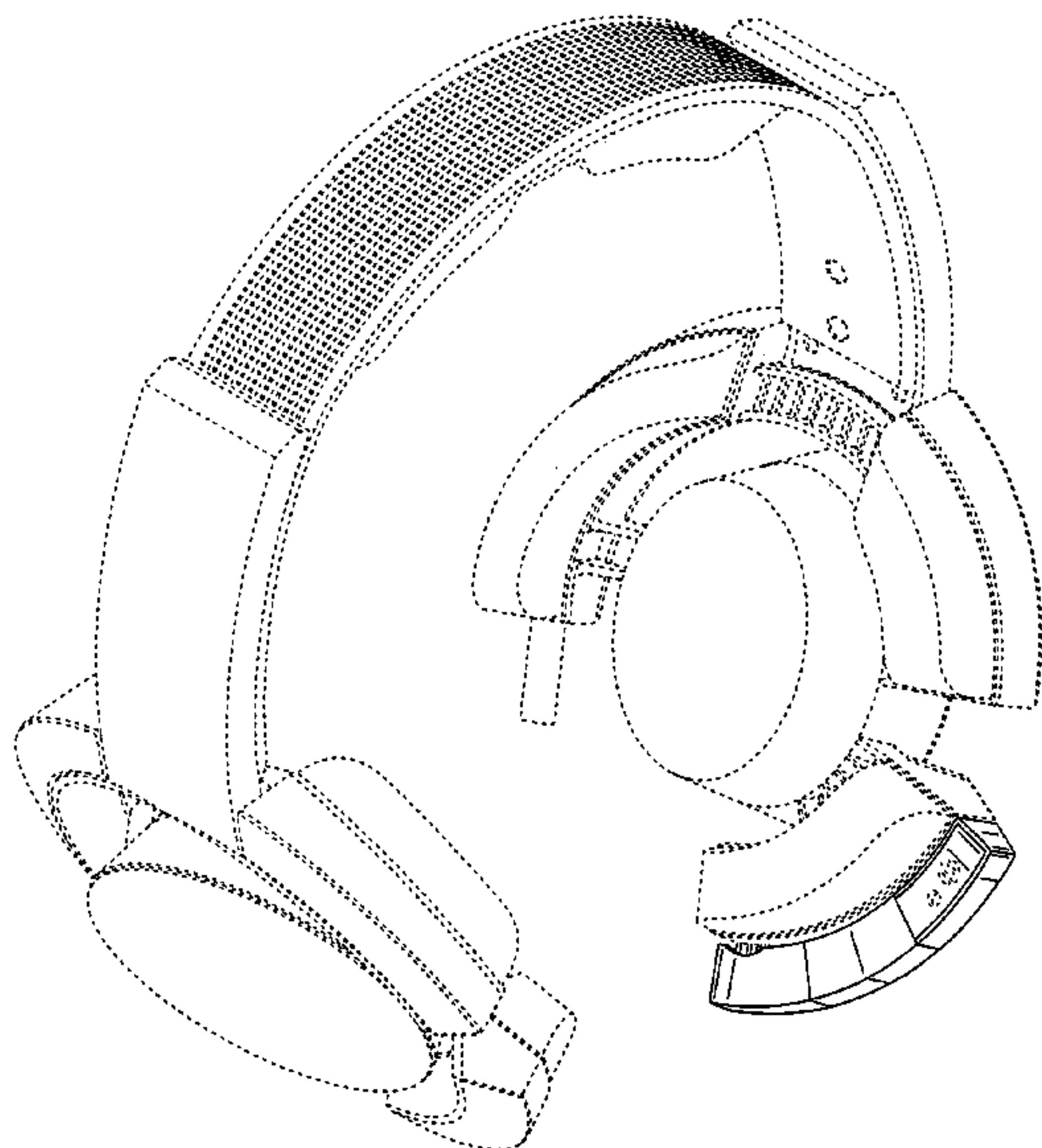


FIG.1

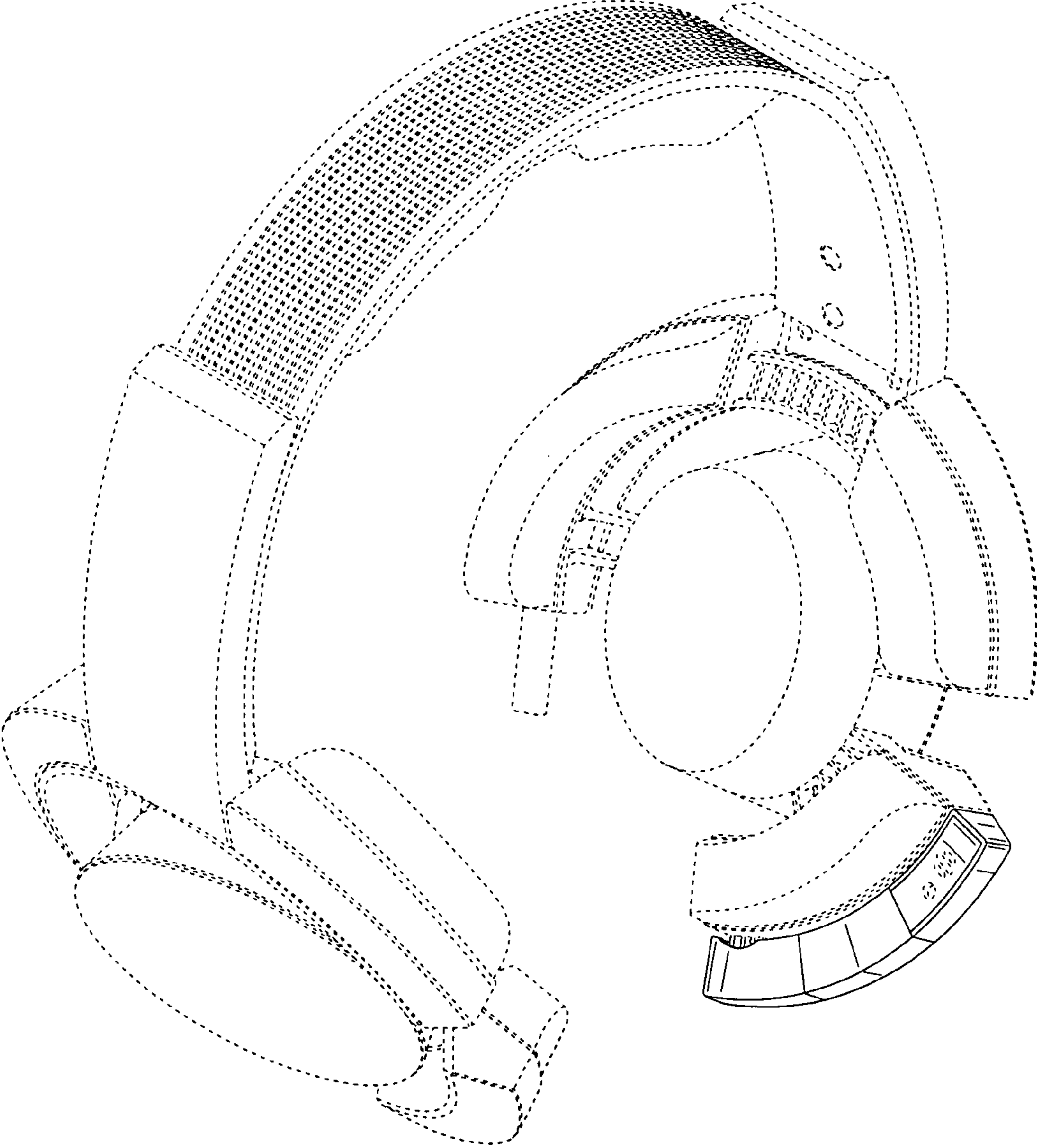


FIG.2

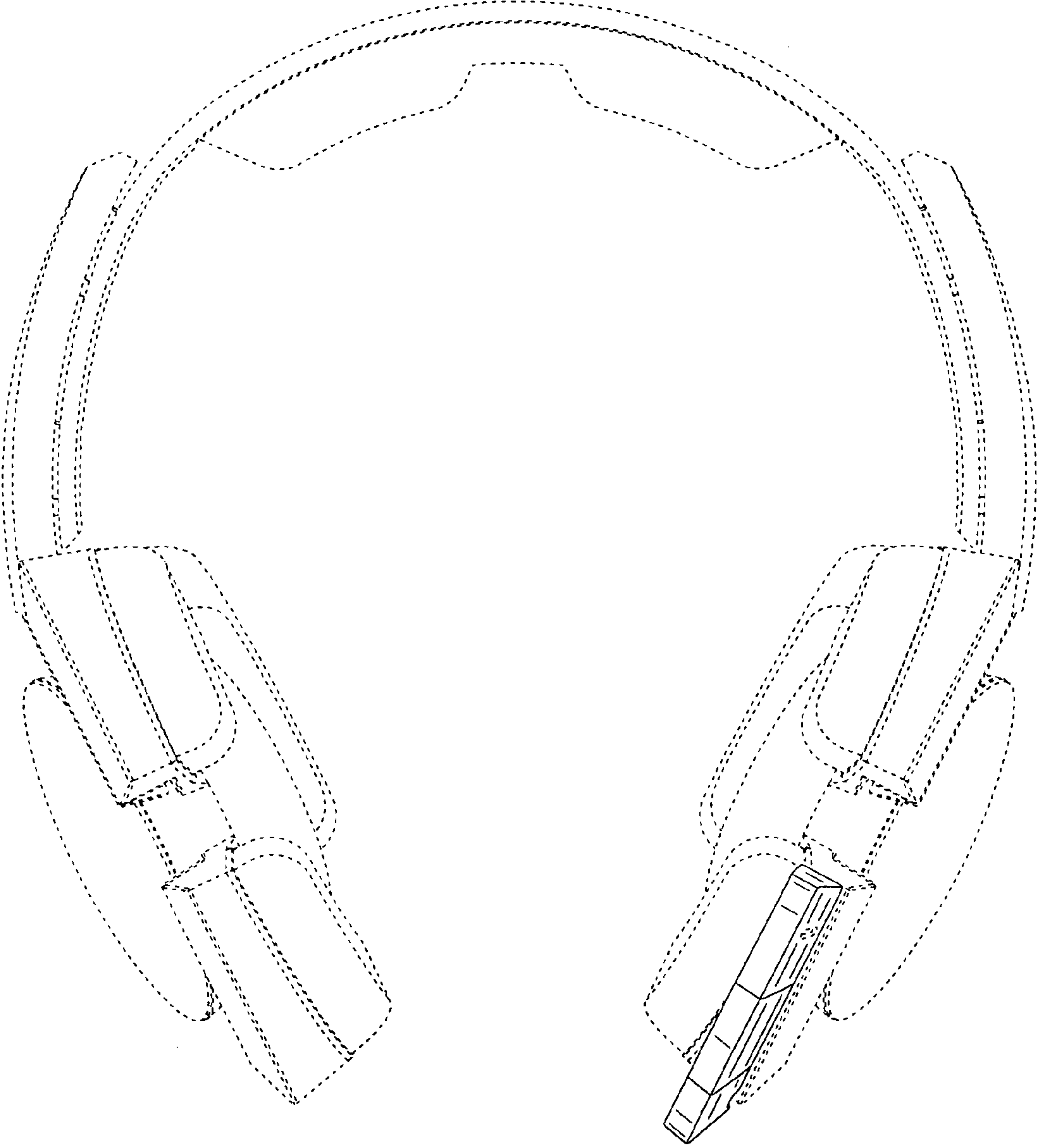


FIG.3

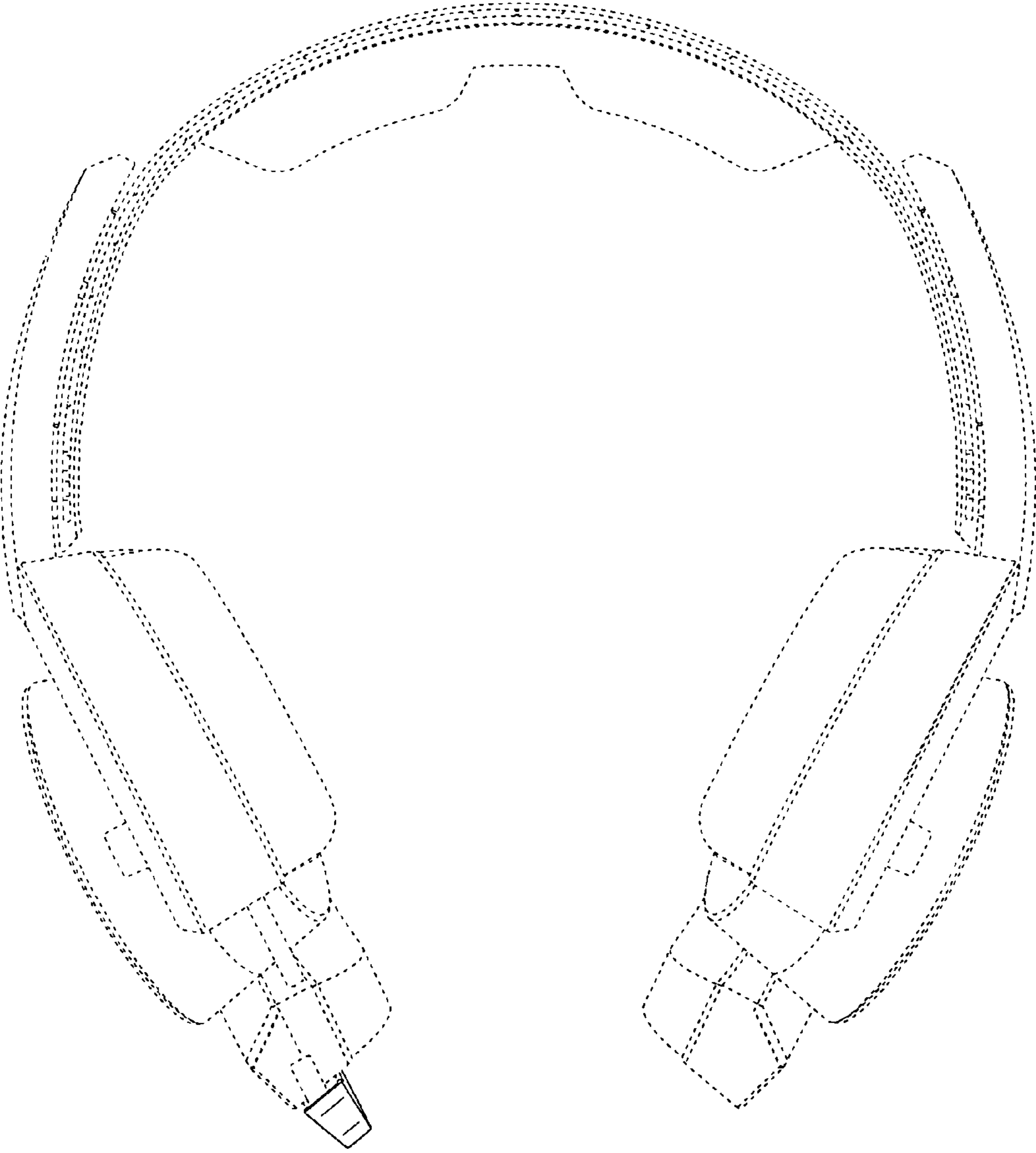


FIG.4

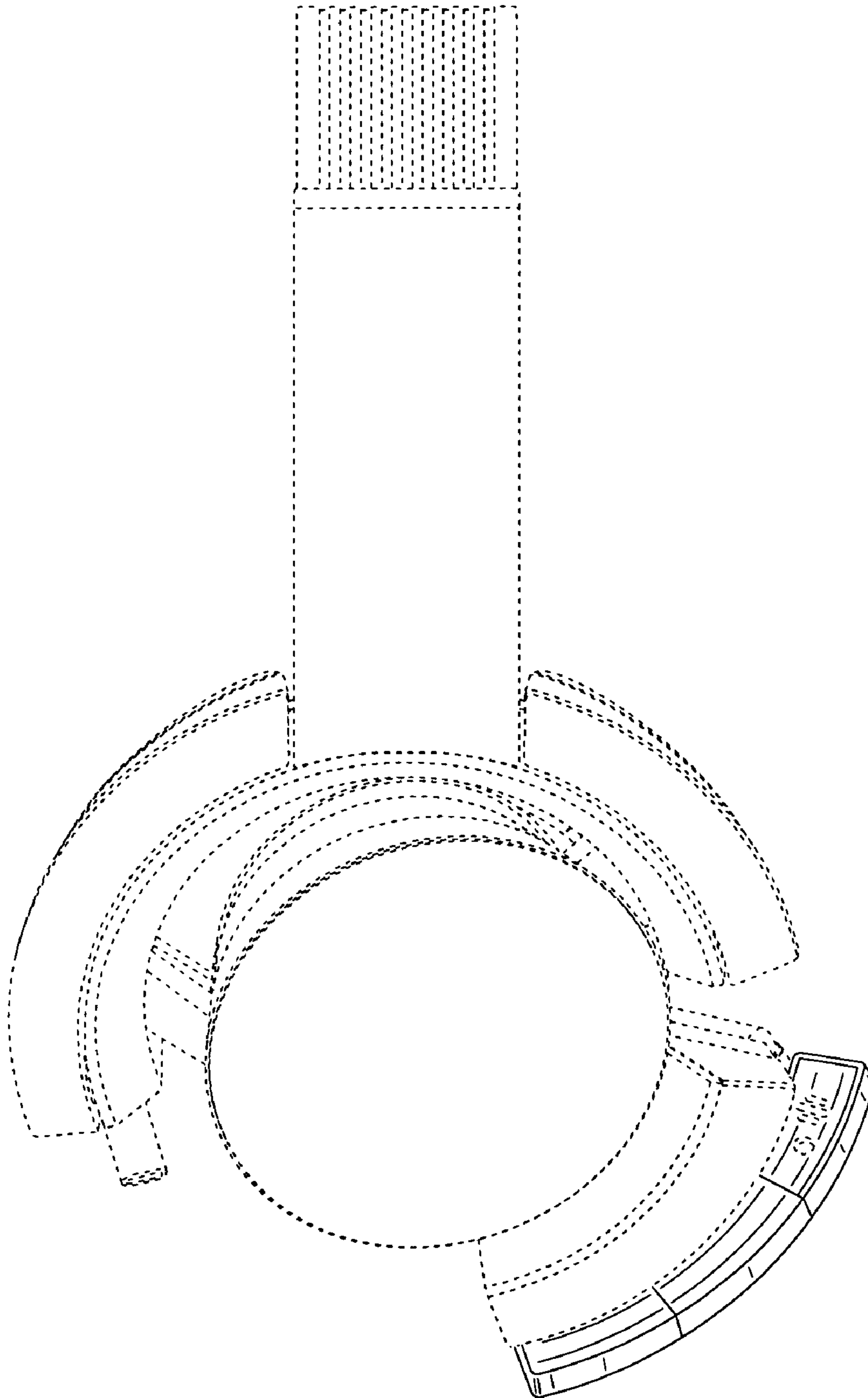


FIG.5

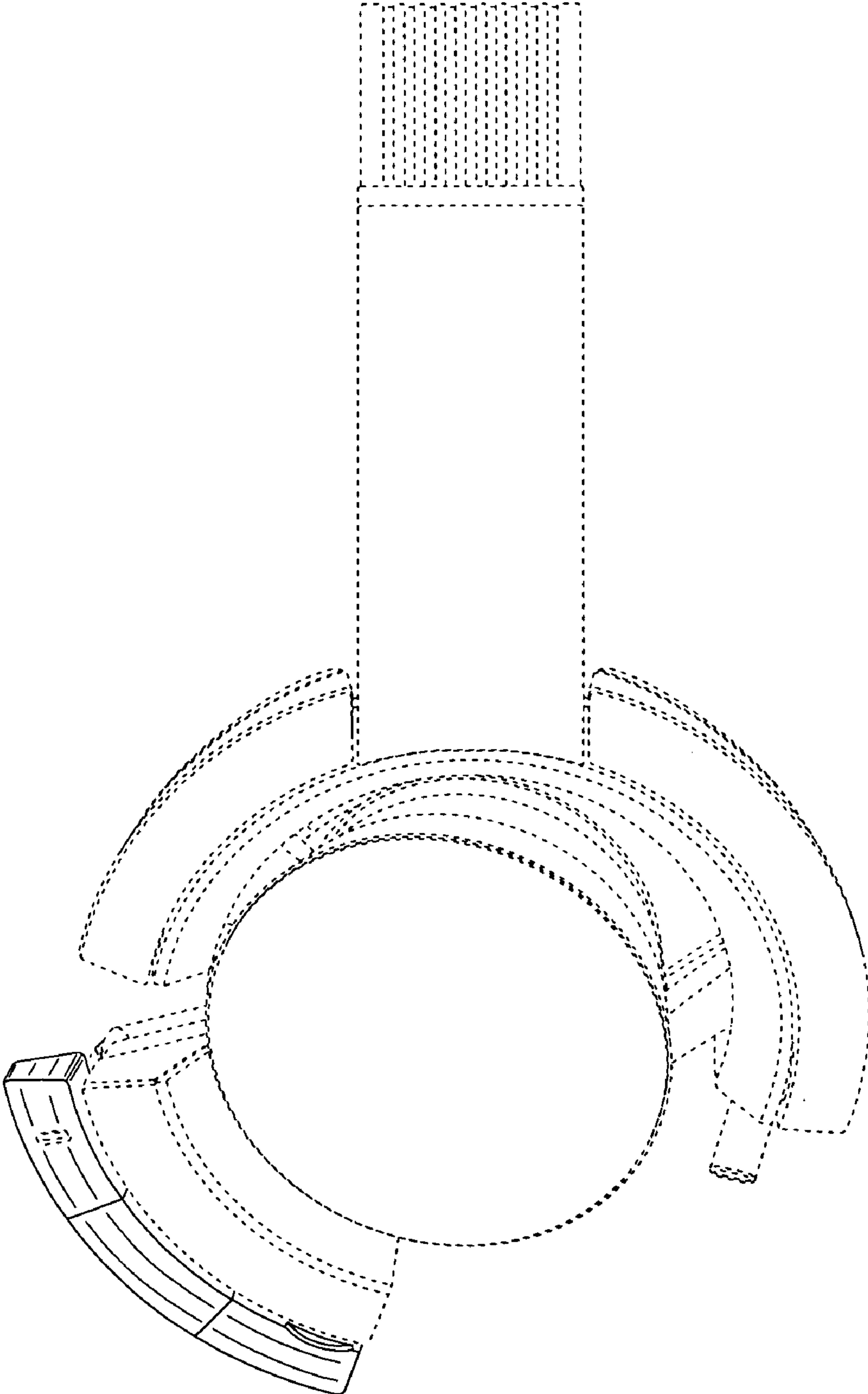


FIG.6

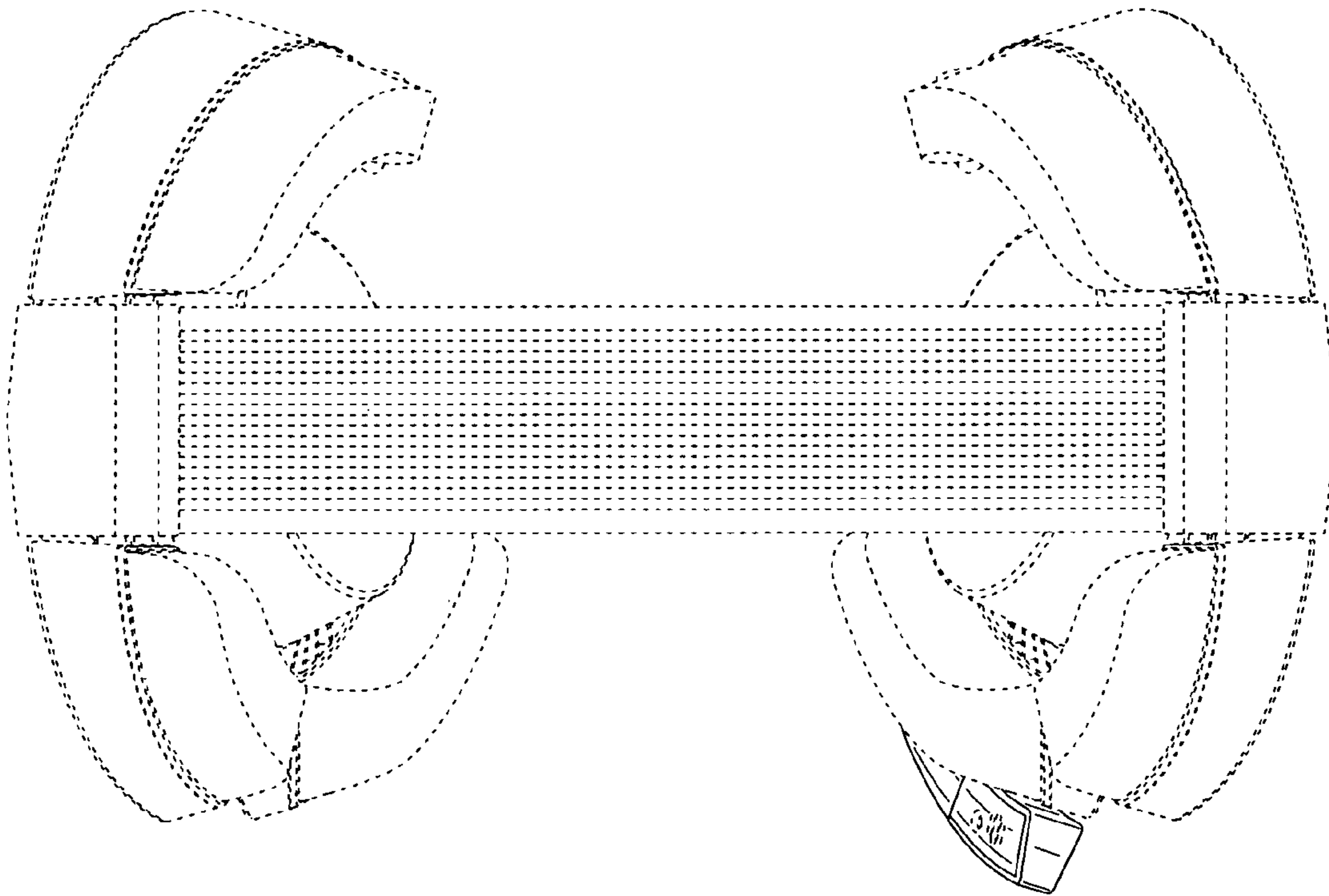


FIG.7

