



US00D648710S

(12) **United States Design Patent**
Ha et al.

(10) **Patent No.:** **US D648,710 S**

(45) **Date of Patent:** **** Nov. 15, 2011**

(54) **BLUETOOTH EARSET**

(75) Inventors: **Seung Hee Ha**, Seoul (KR); **Ji Hoon Shin**, Seoul (KR)

(73) Assignee: **LG Electronics Inc.**, Seoul (KR)

(**) Term: **14 Years**

(21) Appl. No.: **29/379,610**

(22) Filed: **Nov. 22, 2010**

(30) **Foreign Application Priority Data**

May 28, 2010 (KR) 30-2010-0023638

(51) **LOC (9) Cl.** **14-01**

(52) **U.S. Cl.** **D14/223**

(58) **Field of Classification Search** D14/205,
D14/206, 223; 181/129, 130, 135; 381/380,
381/381; 379/430, 433.01; 455/90.3, 575.1,
455/569.1

See application file for complete search history.

(56) **References Cited**

U.S. PATENT DOCUMENTS

D378,293 S *	3/1997	Chou	D14/167
D554,626 S *	11/2007	Christopher	D14/223
D579,925 S *	11/2008	Jaakkola et al.	D14/223
D582,397 S *	12/2008	Christopher	D14/223
D584,294 S *	1/2009	Nam et al.	D14/223
D595,698 S *	7/2009	Guccione et al.	D14/223
D596,164 S *	7/2009	Henning	D14/223

D601,121 S *	9/2009	Chen	D14/167
D604,722 S *	11/2009	Mistry	D14/223
D609,698 S *	2/2010	Ng	D14/223
D626,946 S *	11/2010	Lee et al.	D14/223
D626,947 S *	11/2010	Lee et al.	D14/223
D627,336 S *	11/2010	Lee et al.	D14/223
D630,620 S *	1/2011	Lee et al.	D14/223
D630,622 S *	1/2011	Lee et al.	D14/223
D631,037 S *	1/2011	Park et al.	D14/223
D632,676 S *	2/2011	Behar et al.	D14/223
D633,480 S *	3/2011	Behar et al.	D14/223
D633,481 S *	3/2011	Chen	D14/223
D635,544 S *	4/2011	Nohara	D14/167

* cited by examiner

Primary Examiner — Paula Greene

(74) *Attorney, Agent, or Firm* — Morgan, Lewis & Bockius LLP

(57) **CLAIM**

We claim the ornamental design for a bluetooth earset, as shown and described.

DESCRIPTION

FIG. 1 is a perspective view of a bluetooth earset showing our new design:

FIG. 2 is a front elevation view thereof;

FIG. 3 is a rear elevation view thereof;

FIG. 4 is a left-side elevation view thereof;

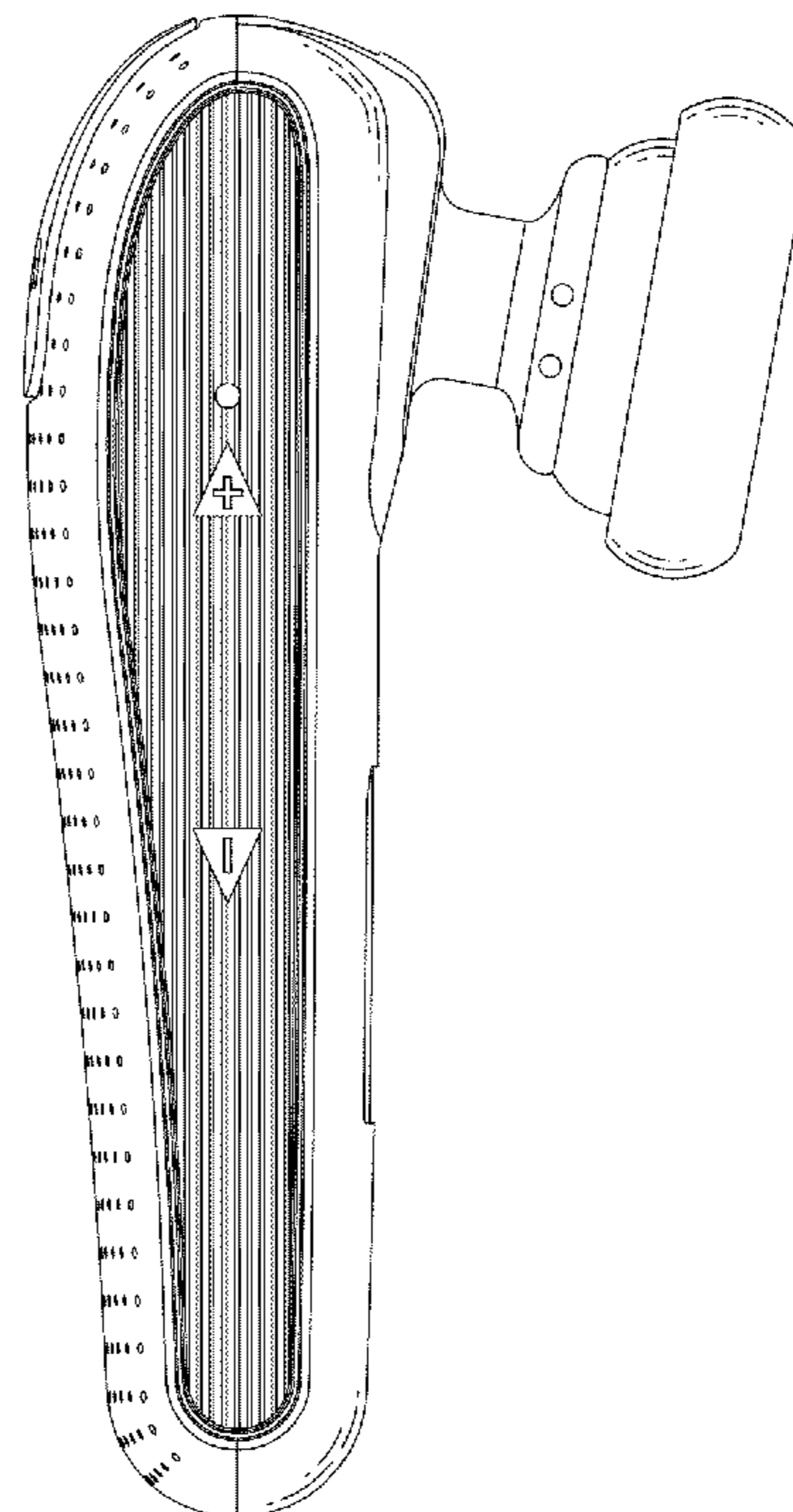
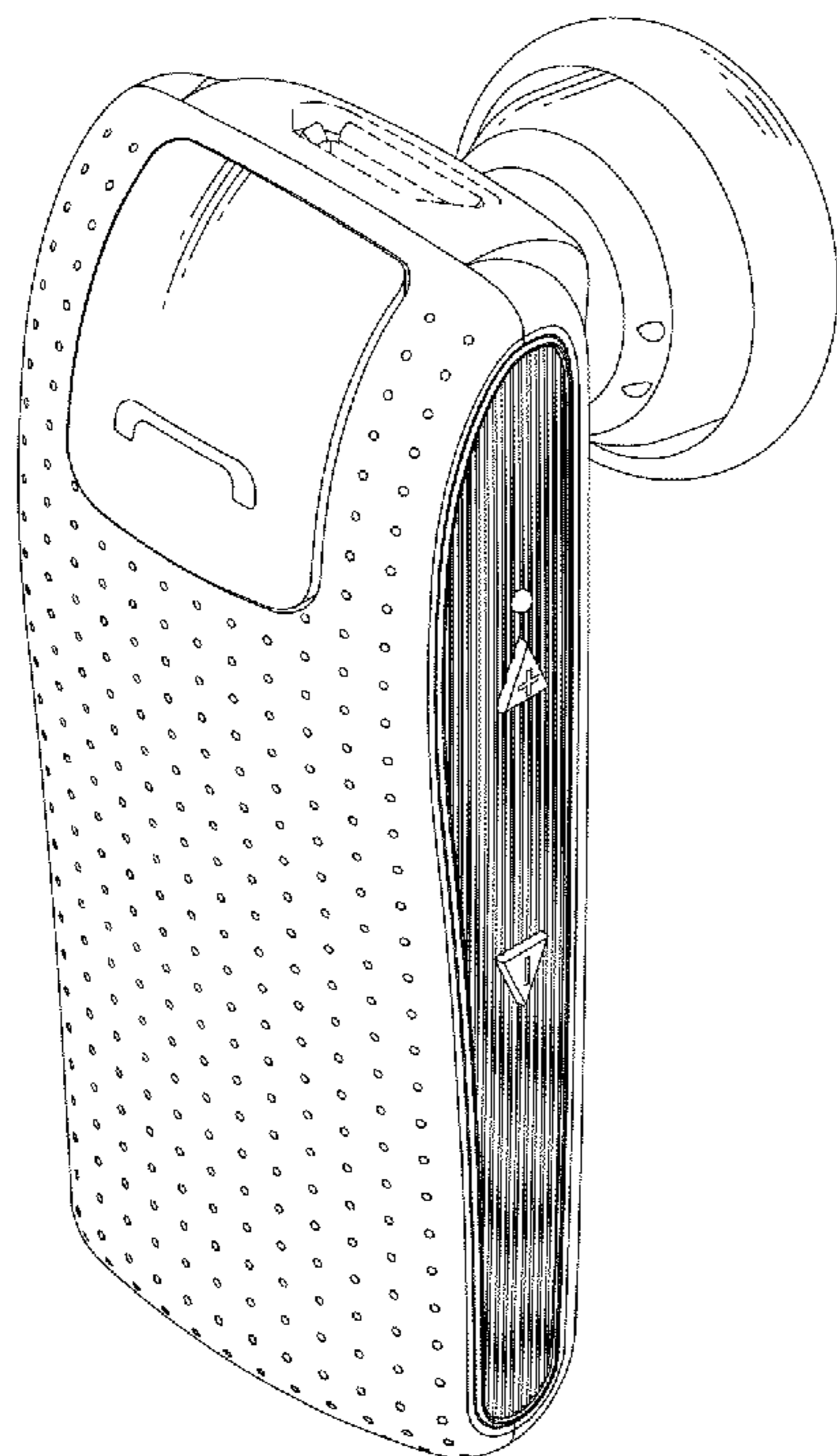
FIG. 5 is a right-side elevation view thereof;

FIG. 6 is a top plan view thereof; and,

FIG. 7 is a bottom plan view thereof.

The broken lines form no part of the claimed design.

1 Claim, 4 Drawing Sheets



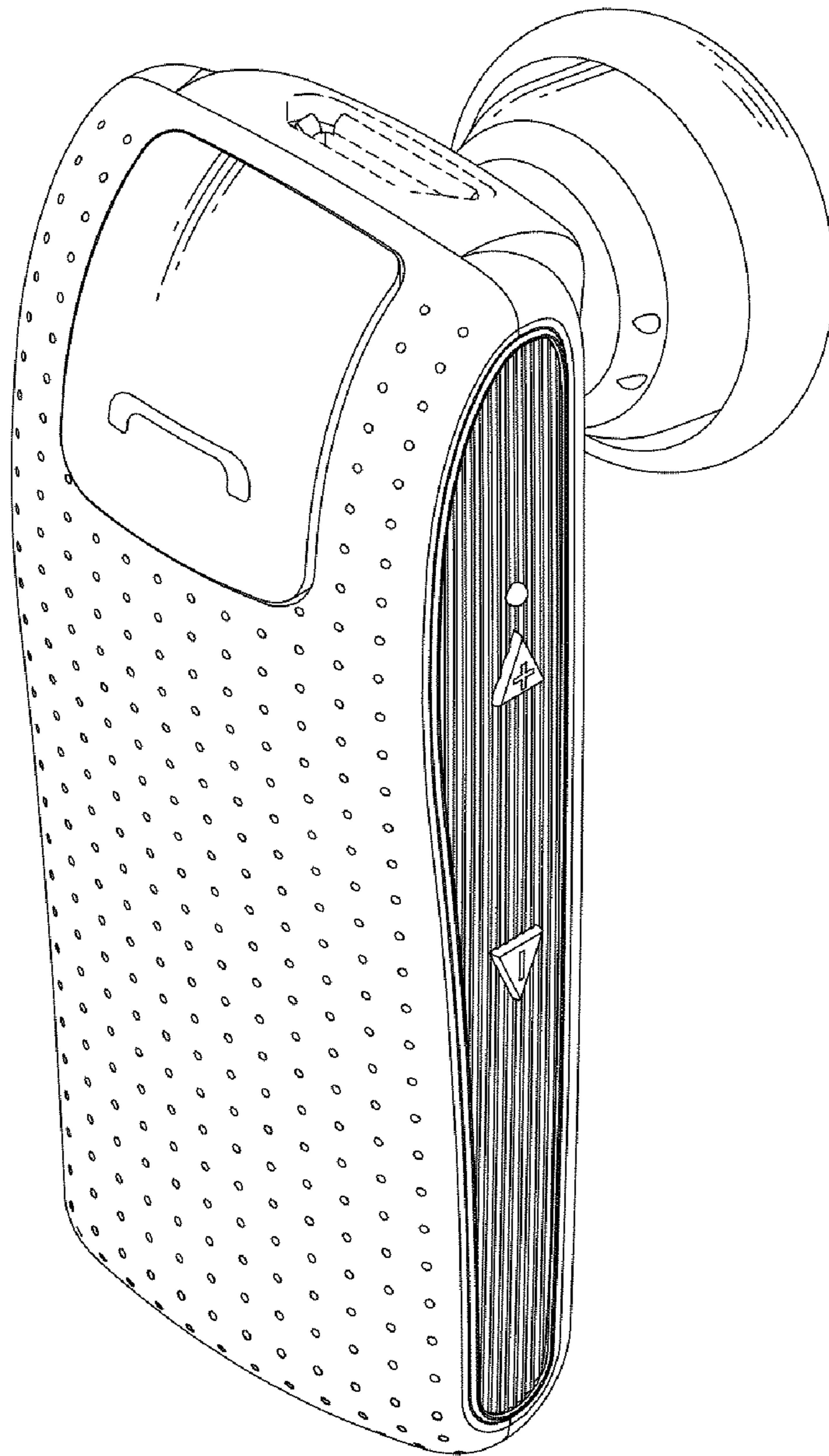


FIG. 1

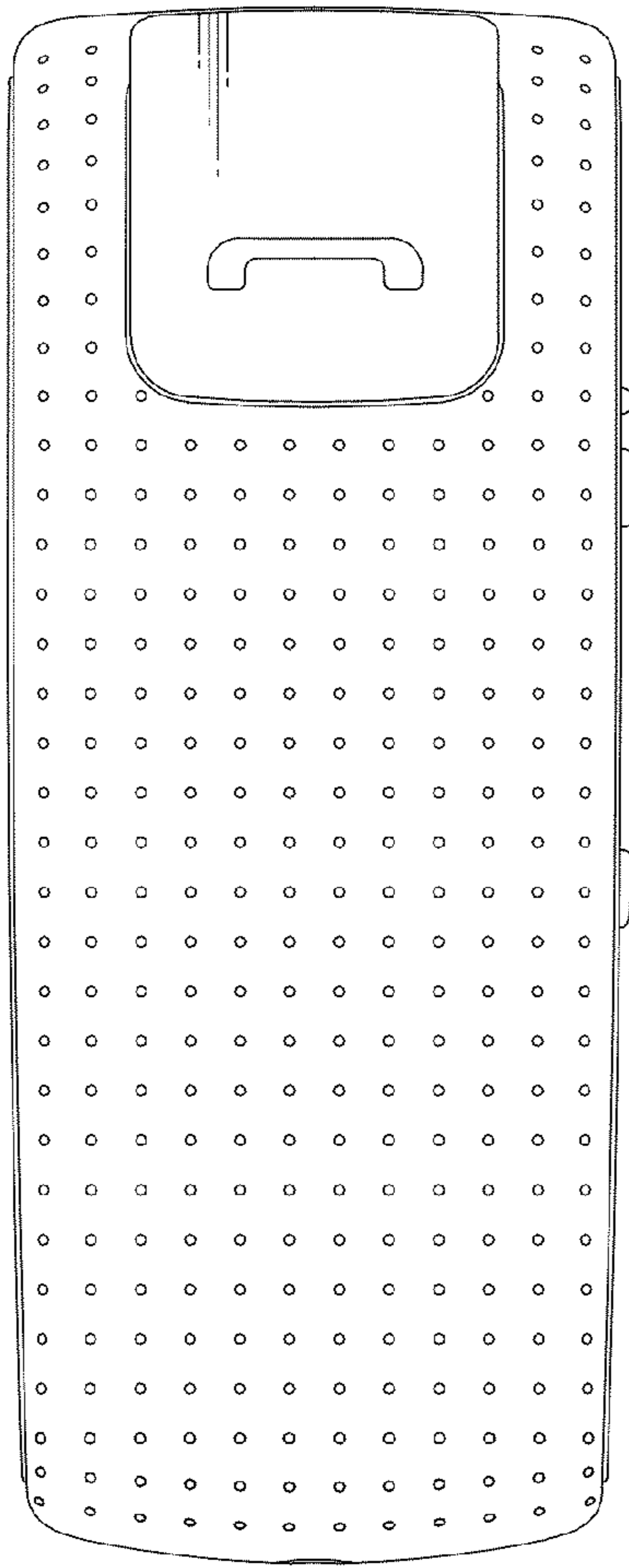


FIG. 2

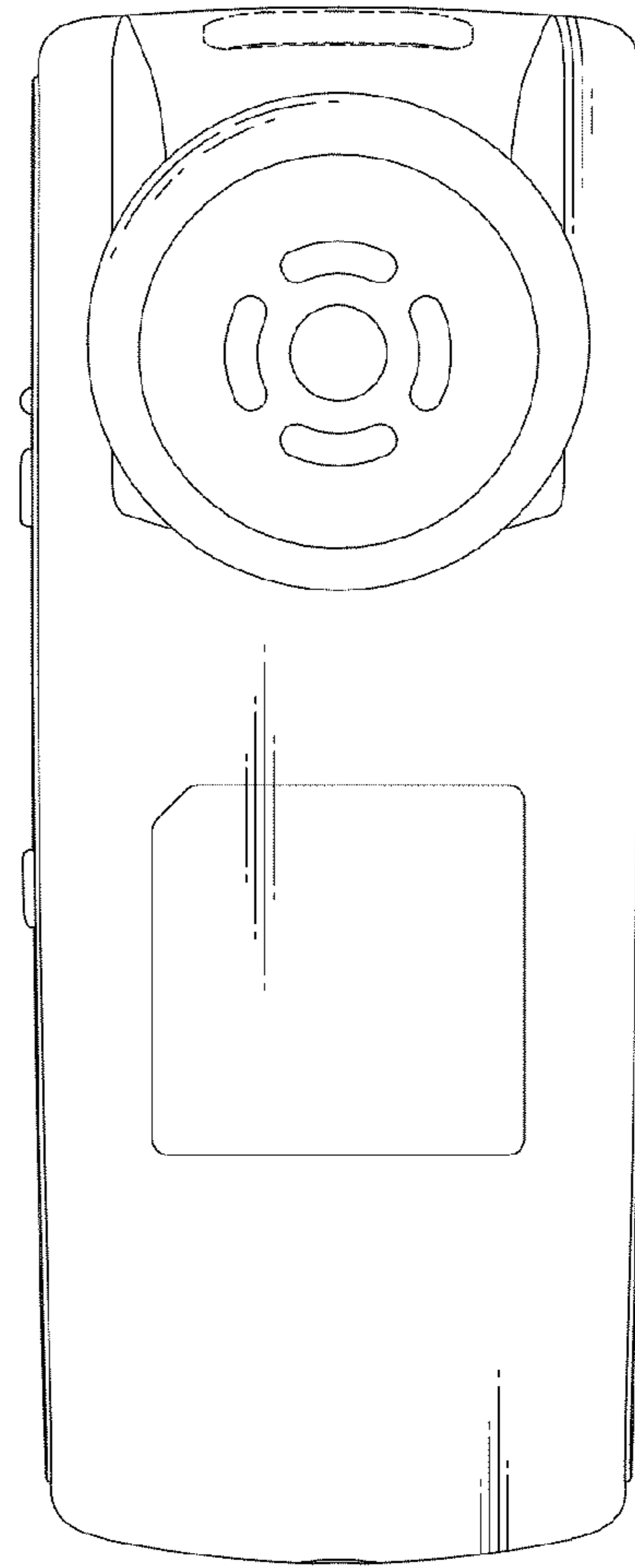


FIG. 3

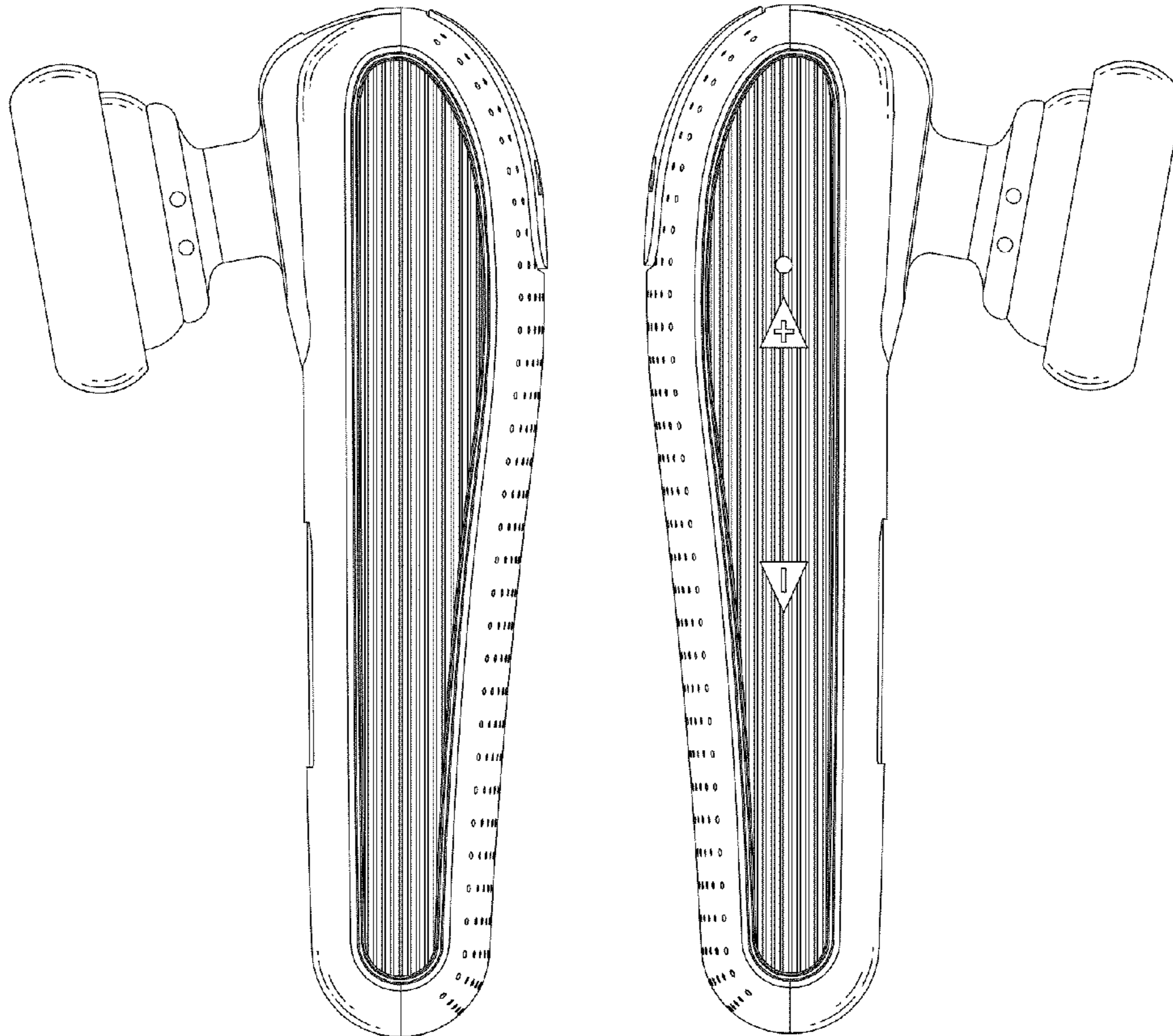


FIG. 4

FIG. 5

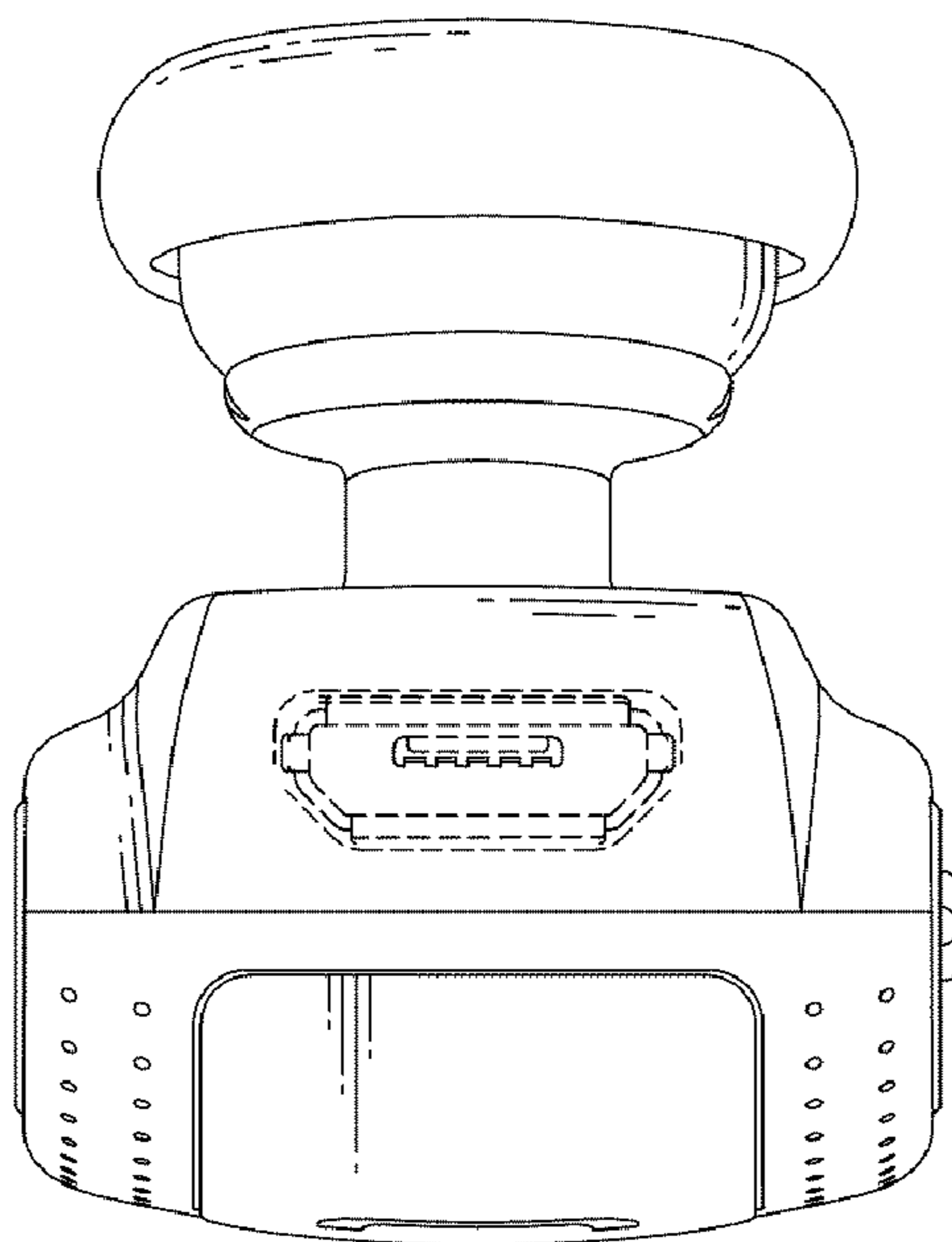


FIG. 6

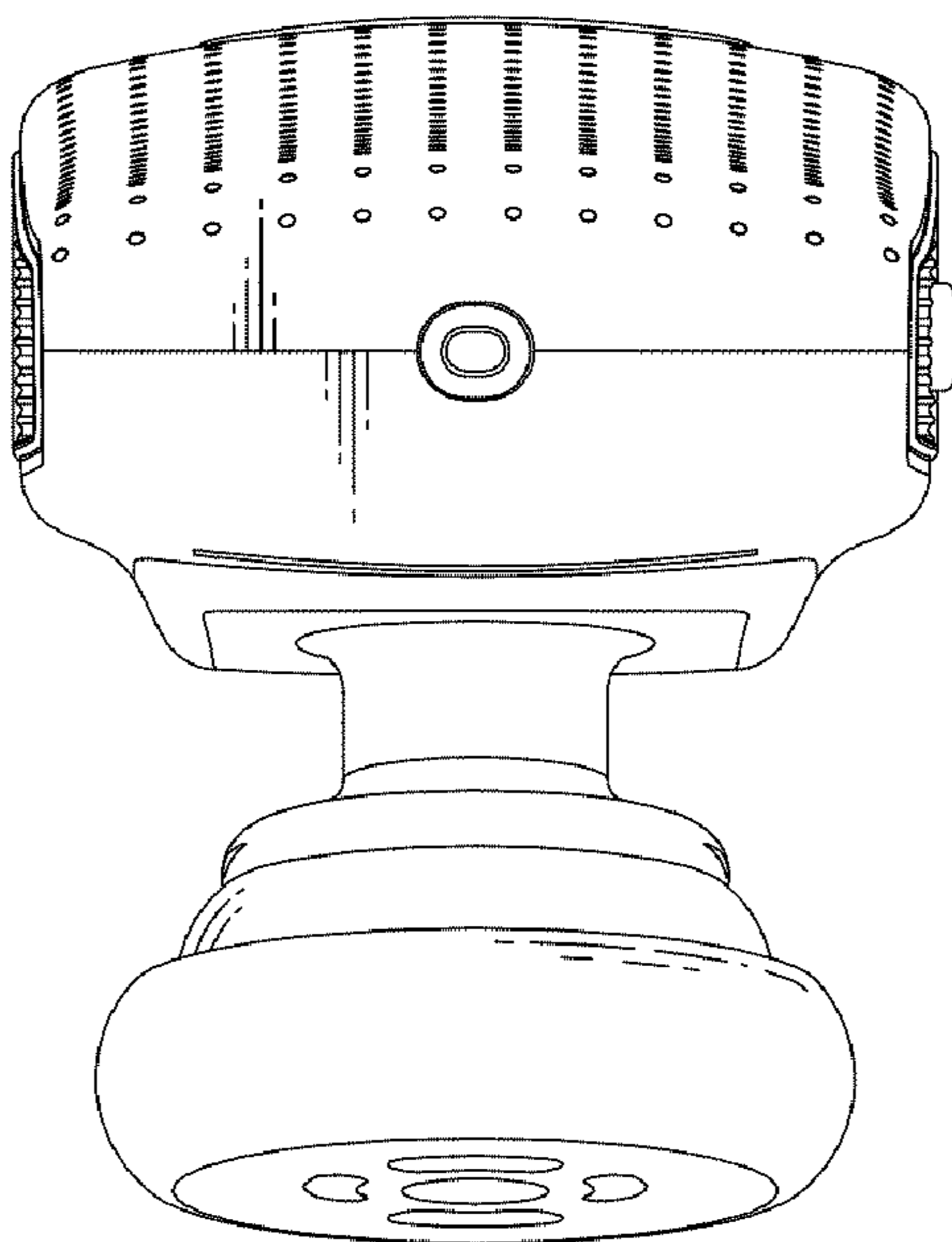


FIG. 7