



US00D648708S

(12) **United States Design Patent**
Katsuraku et al.

(10) **Patent No.:** **US D648,708 S**

(45) **Date of Patent:** **** *Nov. 15, 2011**

(54) **EARPHONE**

(75) Inventors: **Junko Katsuraku**, Tokyo (JP); **Hiromi Inukai**, Tokyo (JP)

(73) Assignee: **Sony Corporation**, Tokyo (JP)

(**) Term: **14 Years**

(21) Appl. No.: **29/371,014**

(22) Filed: **Sep. 14, 2010**

(30) **Foreign Application Priority Data**

Mar. 17, 2010 (JP) D2010-006534

(51) **LOC (9) Cl.** **14-01**

(52) **U.S. Cl.** **D14/223**

(58) **Field of Classification Search** D14/205,
D14/206, 223; 181/129, 130, 135; 379/430,
379/431, 420.04; 381/380, 381; 128/864,
128/865; 455/90.3, 569.1, 575.1

See application file for complete search history.

(56) **References Cited**

U.S. PATENT DOCUMENTS

D377,796 S	2/1997	Hayashi	
D539,268 S *	3/2007	Suzuki	D14/206
D572,703 S *	7/2008	Ledbetter et al.	D14/205
D574,361 S *	8/2008	Sasaki	D14/205
D579,005 S *	10/2008	Wilhelmsen	D14/223
D591,721 S *	5/2009	Densho	D14/205
D591,722 S *	5/2009	Densho	D14/205
7,551,748 B2 *	6/2009	Kamo et al.	381/380
D602,905 S *	10/2009	Morisawa	D14/205
D605,182 S *	12/2009	Fagnot	D14/223
D618,670 S *	6/2010	Tahara	D14/223
D619,122 S *	7/2010	Nomura	D14/223
D621,389 S *	8/2010	Nagayama et al.	D14/223
D623,630 S *	9/2010	Ohori et al.	D14/223

D627,764 S *	11/2010	Tsai et al.	D14/223
D627,766 S *	11/2010	Arimoto	D14/223
D628,193 S *	11/2010	Zheng	D14/223
D628,564 S *	12/2010	Chong et al.	D14/223
D631,181 S *	1/2011	Laporte et al.	D26/71
D633,086 S *	2/2011	Chen	D14/223
D635,558 S *	4/2011	Zheng	D14/223
D637,585 S *	5/2011	Nagayama et al.	D14/223

FOREIGN PATENT DOCUMENTS

JP	D1166084 S	2/2003
JP	D1337825 S	8/2008
JP	D1352586 S	3/2009
JP	D1364631 S	7/2009
JP	D1364632 S	7/2009

* cited by examiner

Primary Examiner — Paula Greene

(74) *Attorney, Agent, or Firm* — Rader, Fishman & Grauer PLLC

(57) **CLAIM**

The ornamental design for an earphone, as shown and described.

DESCRIPTION

FIG. 1 is a perspective view of an earphone showing our new design;

FIG. 2 is a front elevational view thereof;

FIG. 3 is a rear elevational view thereof;

FIG. 4 is a top plan view thereof;

FIG. 5 is a bottom plan view thereof;

FIG. 6 is a right side elevational view thereof; and,

FIG. 7 is a left side elevational view thereof.

The portions in broken lines are for illustrative purpose only and form no part of the claimed design. The dot-dash lines define, but are not included in, the boundaries of the claimed design.

1 Claim, 7 Drawing Sheets

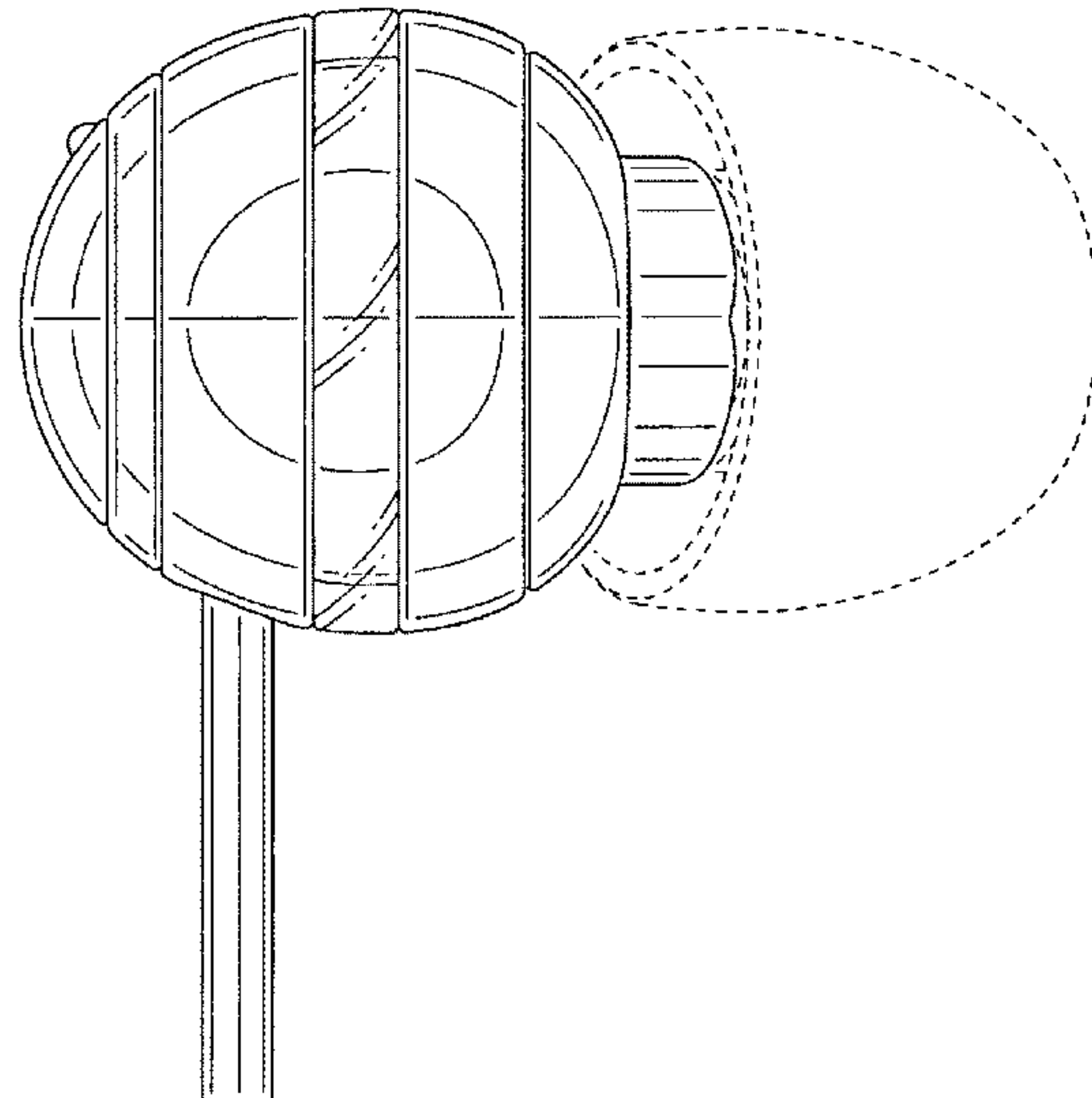
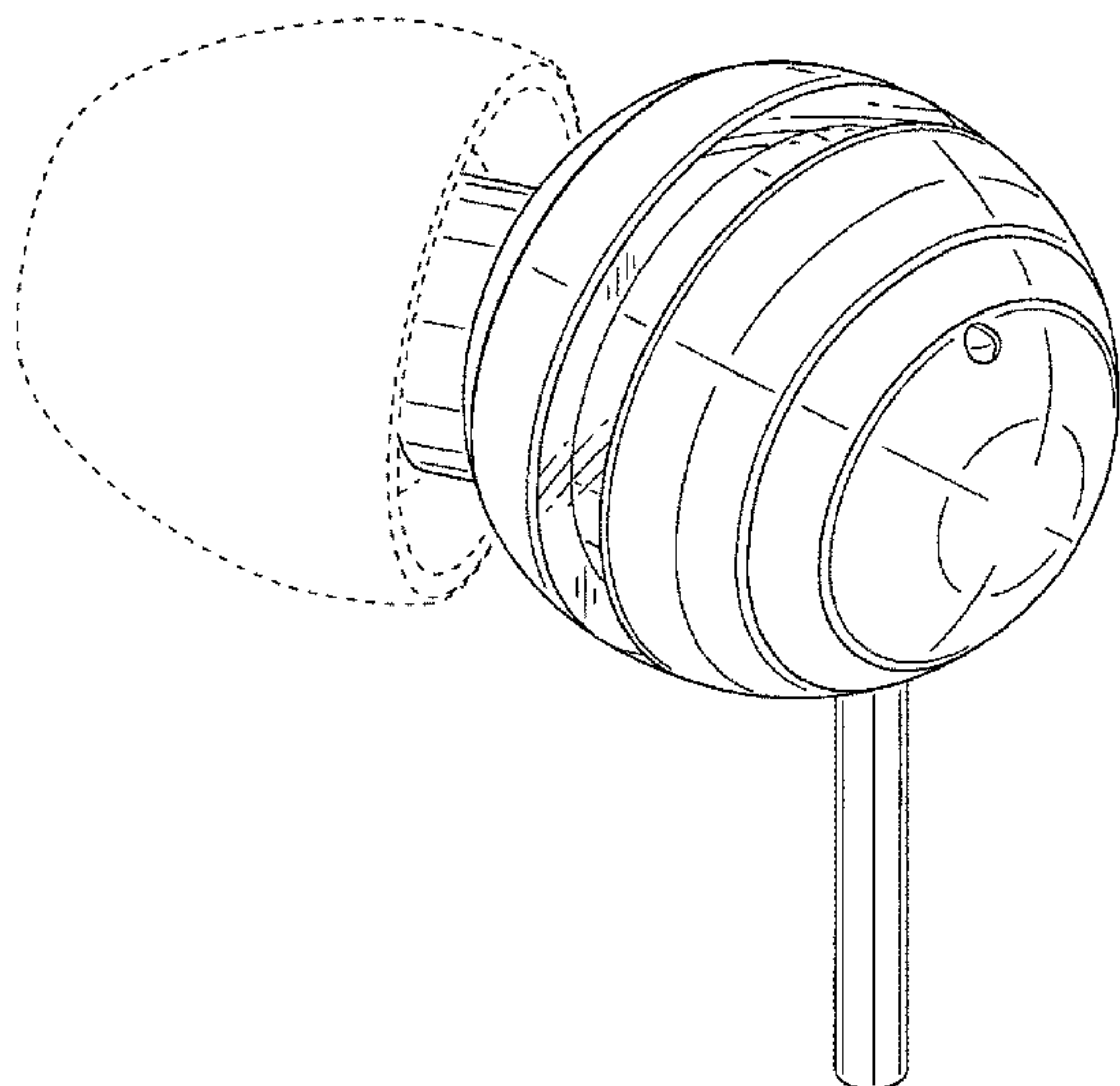


FIG. 1

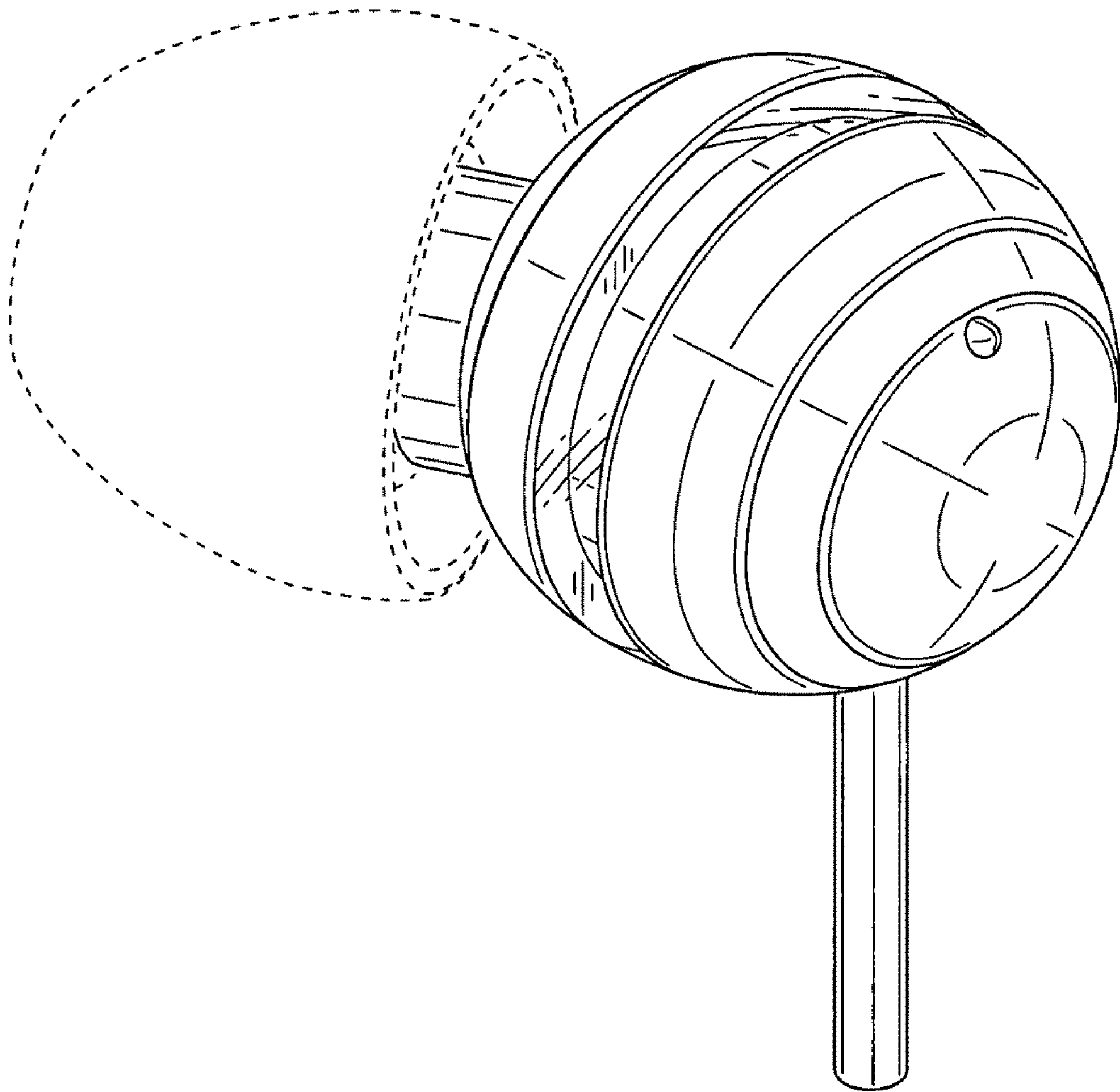


FIG.2

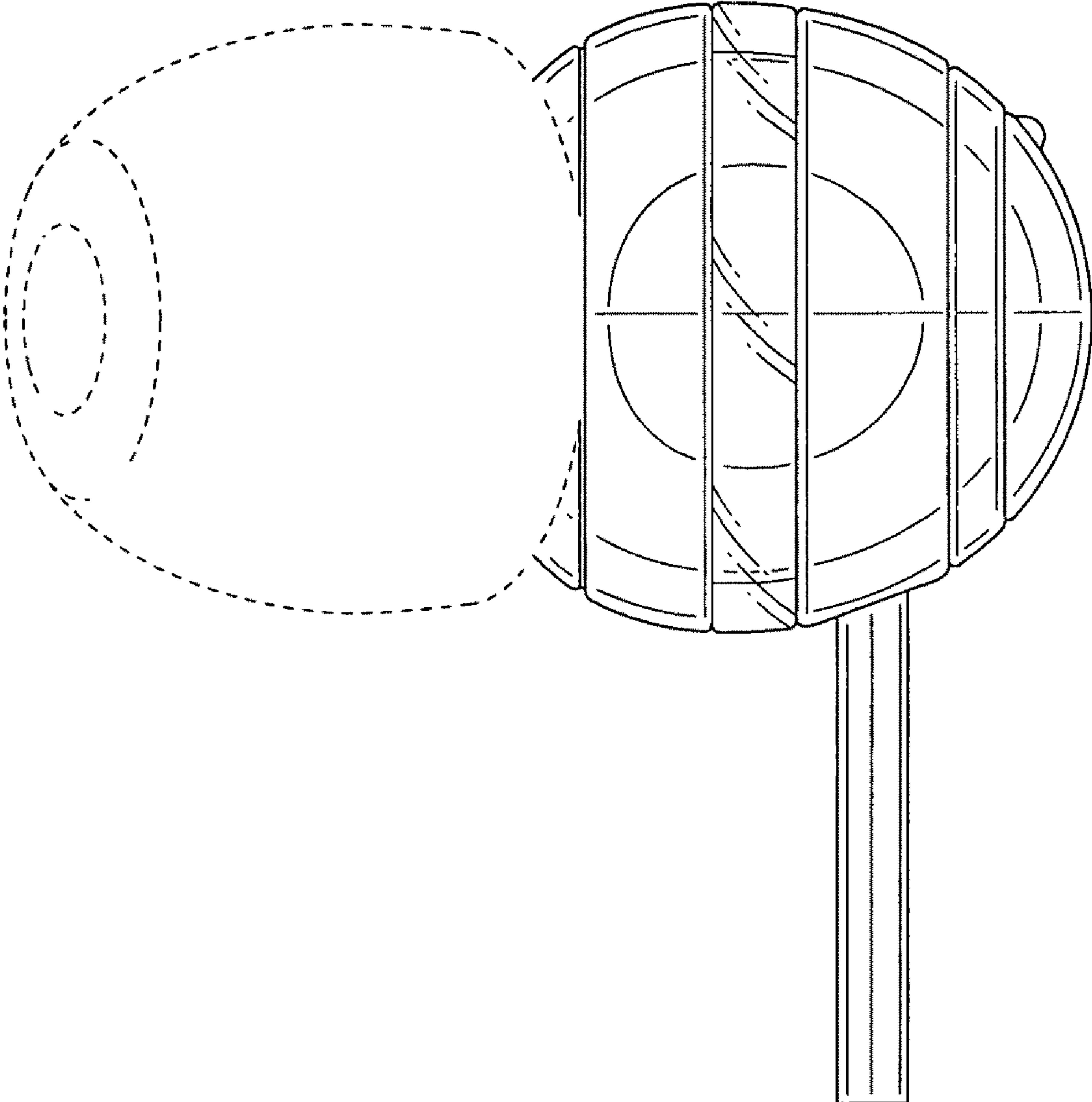


FIG.3

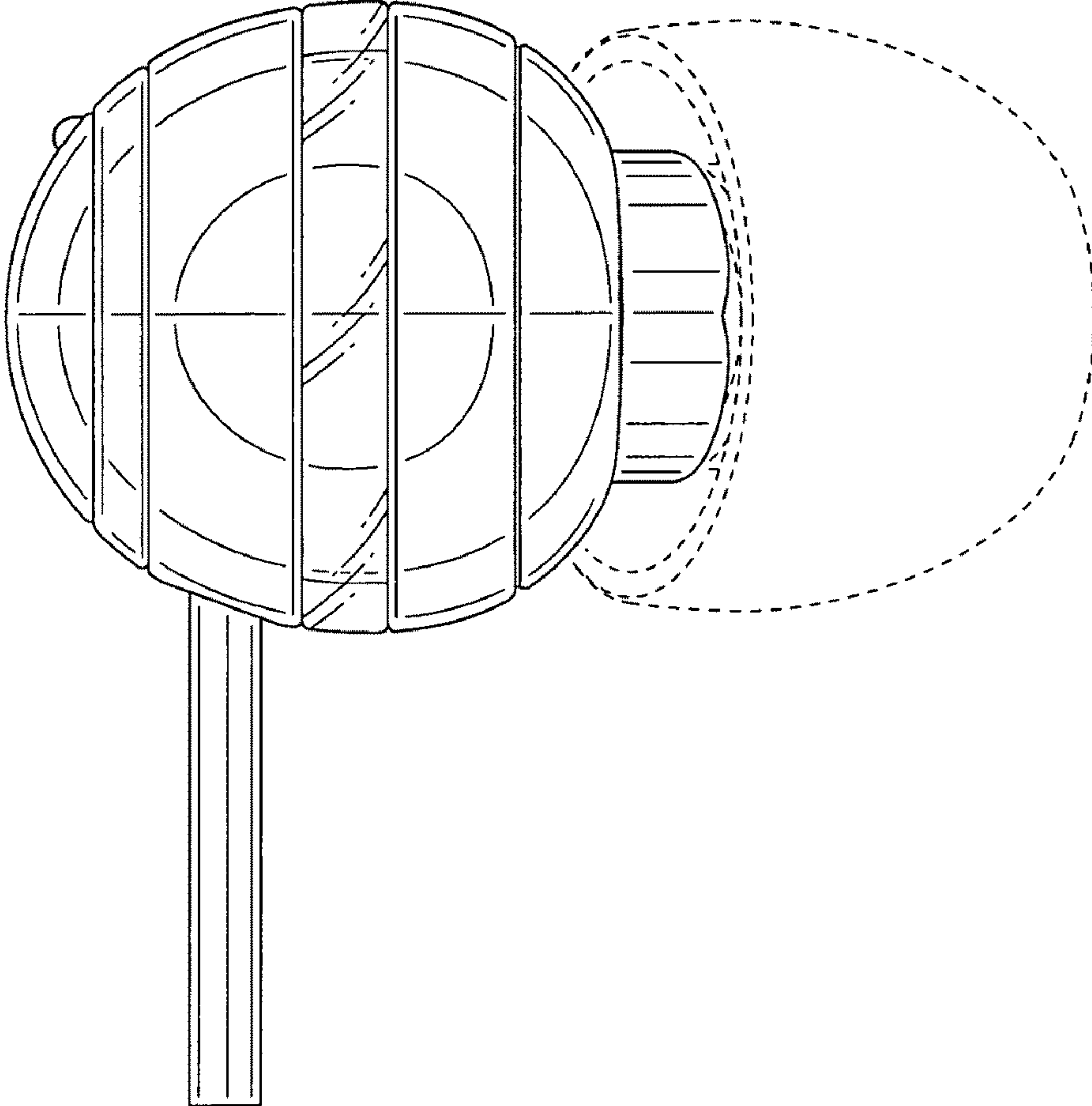


FIG.4

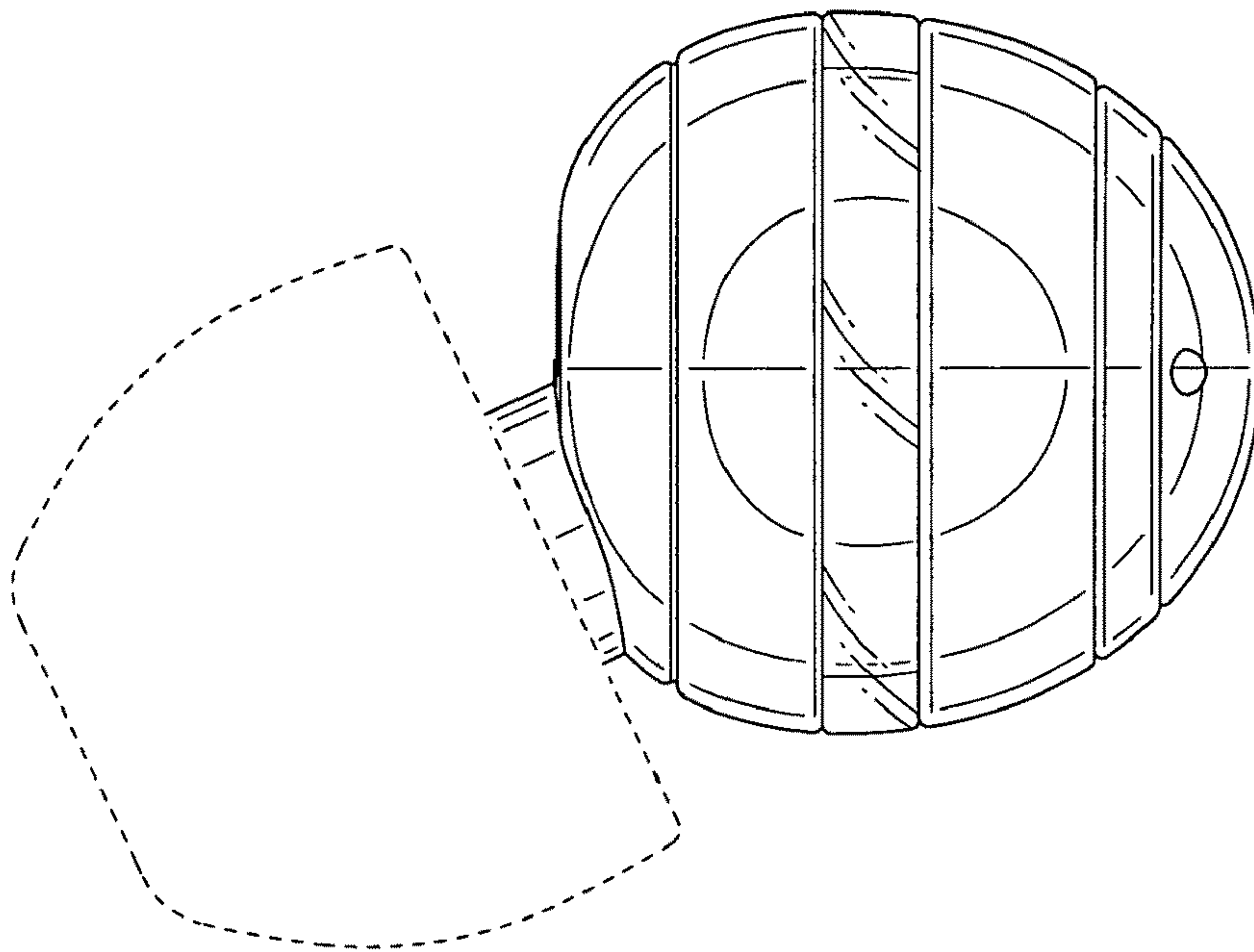


FIG.5

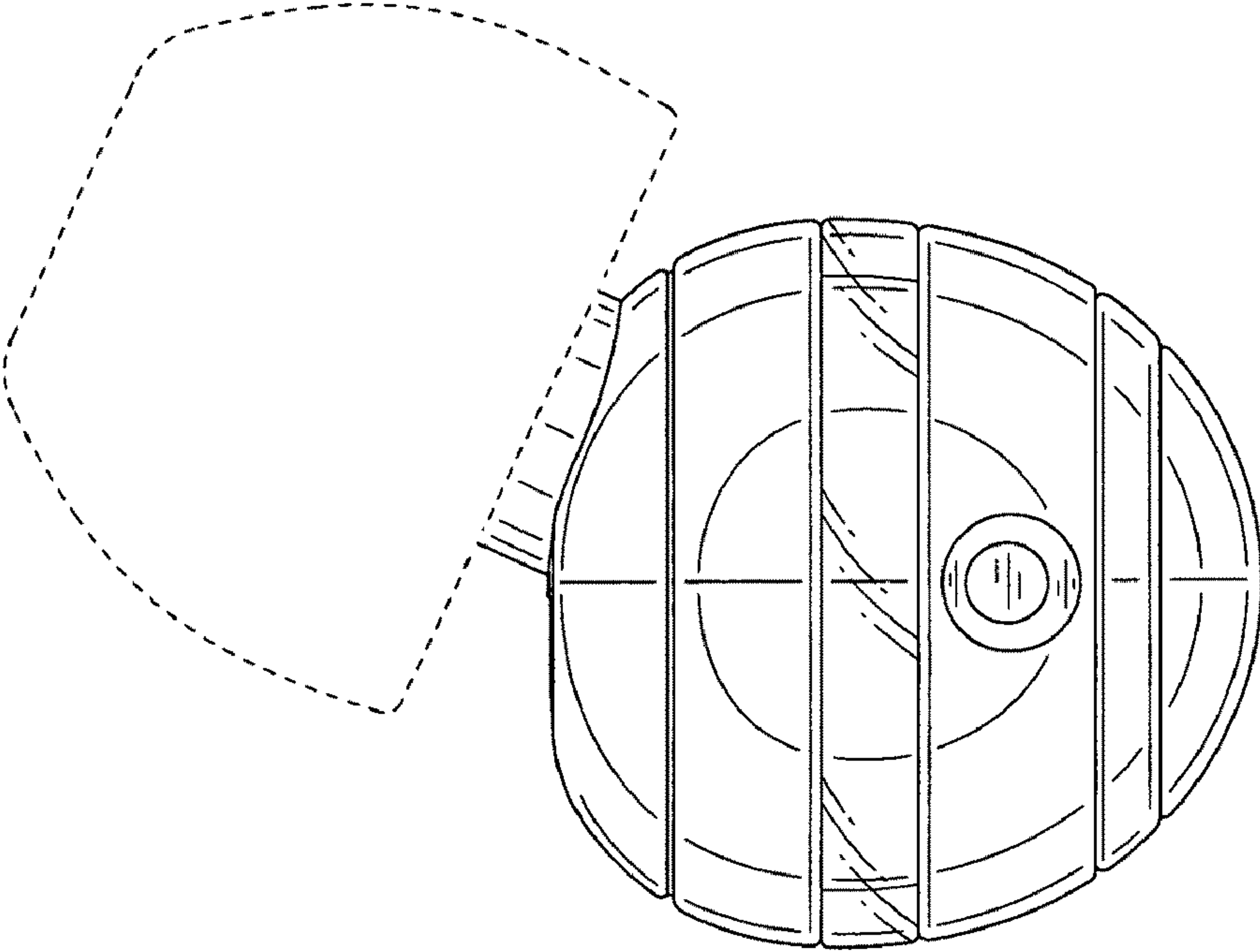


FIG.6

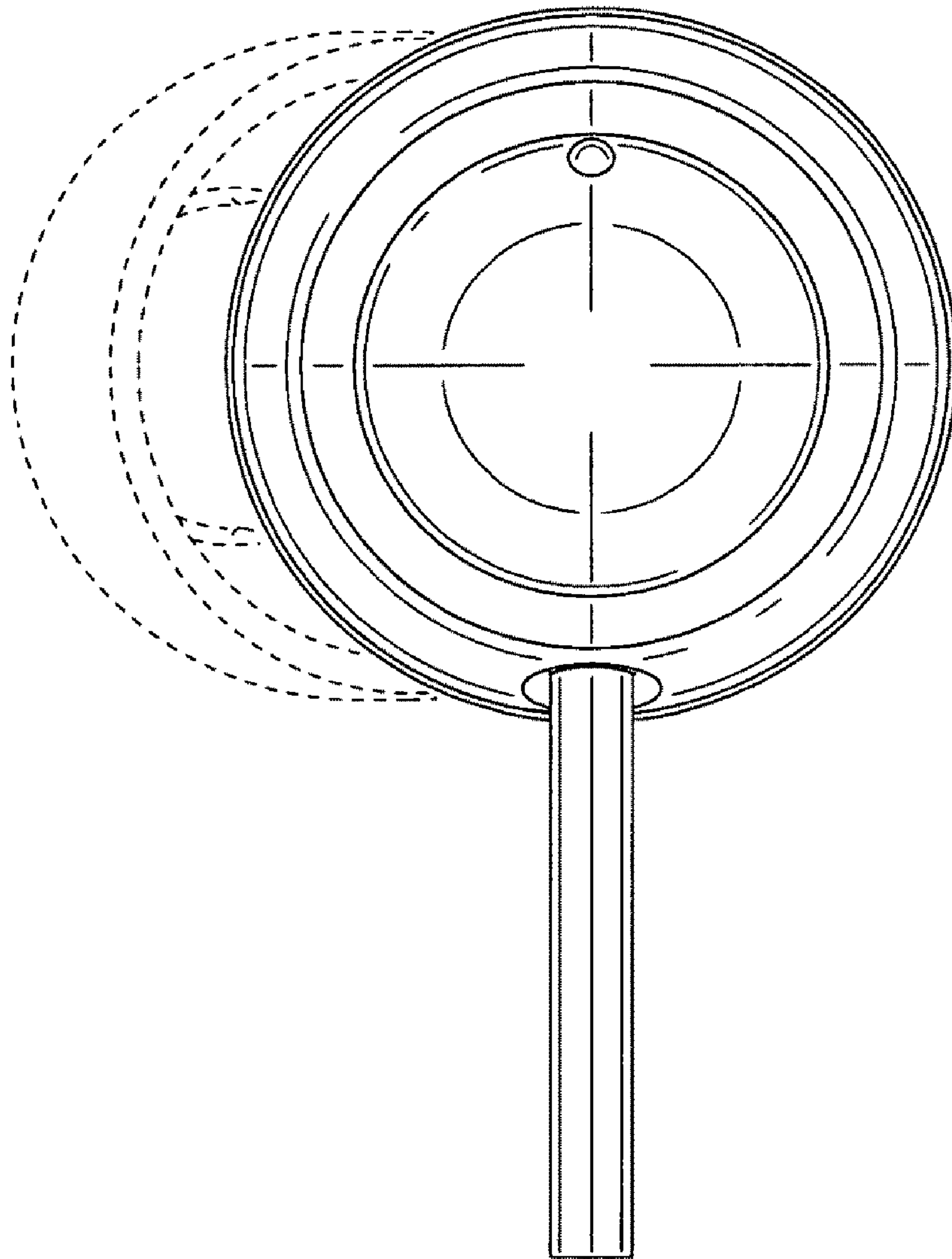


FIG.7

