



US00D648707S

(12) **United States Design Patent**
Akana et al.

(10) **Patent No.:** **US D648,707 S**
(45) **Date of Patent:** **** Nov. 15, 2011**

(54) **DOCKING STATION**

(75) Inventors: **Jody Akana**, San Francisco, CA (US);
Bartley K. Andre, Menlo Park, CA
(US); **Jeremy Bataillou**, San Francisco,
CA (US); **Daniel J. Coster**, San
Francisco, CA (US); **Daniele De Iuliis**,
San Francisco, CA (US); **Evans**
Hankey, San Francisco, CA (US);
Richard P. Howarth, San Francisco, CA
(US); **Jonathan P. Ive**, San Francisco,
CA (US); **Duncan Robert Kerr**, San
Francisco, CA (US); **Shin Nishibori**,
Portola Valley, CA (US); **Matthew Dean**
Rohrbach, San Francisco, CA (US);
Peter Russell-Clarke, San Francisco,
CA (US); **Christopher J. Stringer**,
Woodside, CA (US); **Eugene Antony**
Whang, San Francisco, CA (US); **Rico**
Zorkendorfer, San Francisco, CA (US)

(73) Assignee: **Apple Inc.**, Cupertino, CA (US)

(**) Term: **14 Years**

(21) Appl. No.: **29/363,128**

(22) Filed: **Jun. 4, 2010**

(51) **LOC (9) Cl.** **14-03**

(52) **U.S. Cl.** **D14/217; D14/434**

(58) **Field of Classification Search** D14/142,
D14/149, 155, 157, 188, 191-193, 230.1-203.8,
D14/217, 251, 253, 432-435.1, 447, 451,
D14/496, 474, 480.1-480.7; D13/107, 108,
D13/118; D3/218; 248/221.11, 309.1; 320/107,
320/110, 113-115; 361/600; 439/529, 534;
455/556.1-556.2, 557

See application file for complete search history.

(56) **References Cited**

U.S. PATENT DOCUMENTS

D374,858 S 10/1996 Chu
5,952,814 A 9/1999 Van Lerberghe
D477,823 S 7/2003 Lavello, Sr.
D495,336 S 8/2004 Andre et al.

D532,005 S 11/2006 Leith
D535,614 S 1/2007 Majanen et al.
D551,214 S 9/2007 Hussaini et al.
D551,658 S 9/2007 Hussaini et al.
D553,106 S 10/2007 Griffin
D558,738 S 1/2008 Andre et al.
D558,739 S 1/2008 Andre et al.

(Continued)

OTHER PUBLICATIONS

U.S. Appl. No. 29/237,687, Andre et al., filed Sep. 2, 2005, entitled
“Docking Station.”

(Continued)

Primary Examiner — Prabhakar Deshmukh
Assistant Examiner — Keli L Hill
(74) *Attorney, Agent, or Firm* — Sterne, Kessler, Goldstein
& Fox PLLC

(57) **CLAIM**

The ornamental design for a docking station, as shown and
described.

DESCRIPTION

Examples of electronic devices that can be used with the
present invention are shown and described, for example, in
U.S. application Ser. Nos. 29/360,031, 29/360,036, and
29/360,110.

FIG. 1 is a top front perspective view of a docking station
showing our new design;

FIG. 2 is a top rear perspective view thereof;

FIG. 3 is a bottom front perspective view thereof;

FIG. 4 is a bottom rear perspective view thereof;

FIG. 5 is a top view thereof;

FIG. 6 is a bottom view thereof;

FIG. 7 is a side view thereof;

FIG. 8 is another side view thereof;

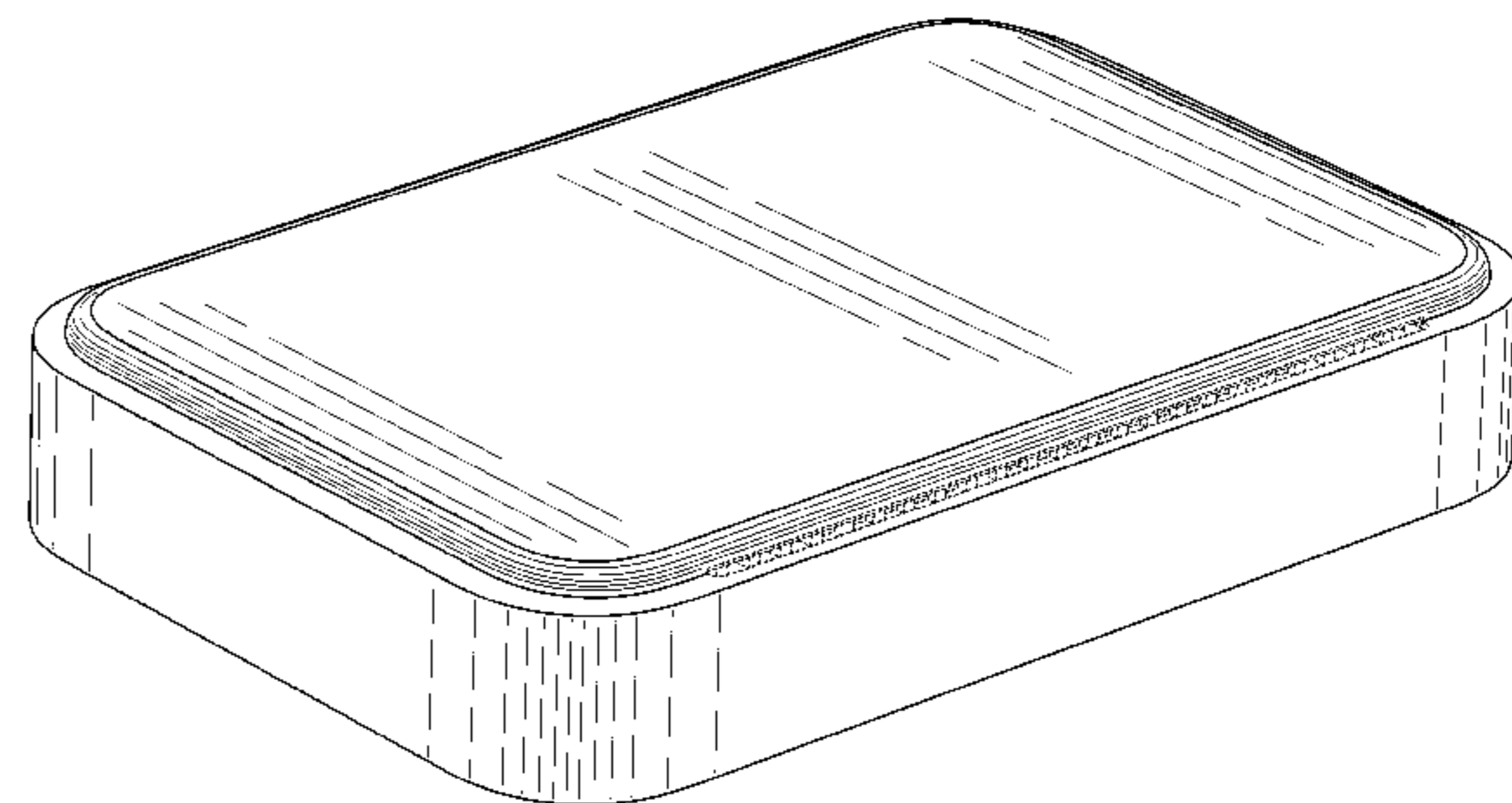
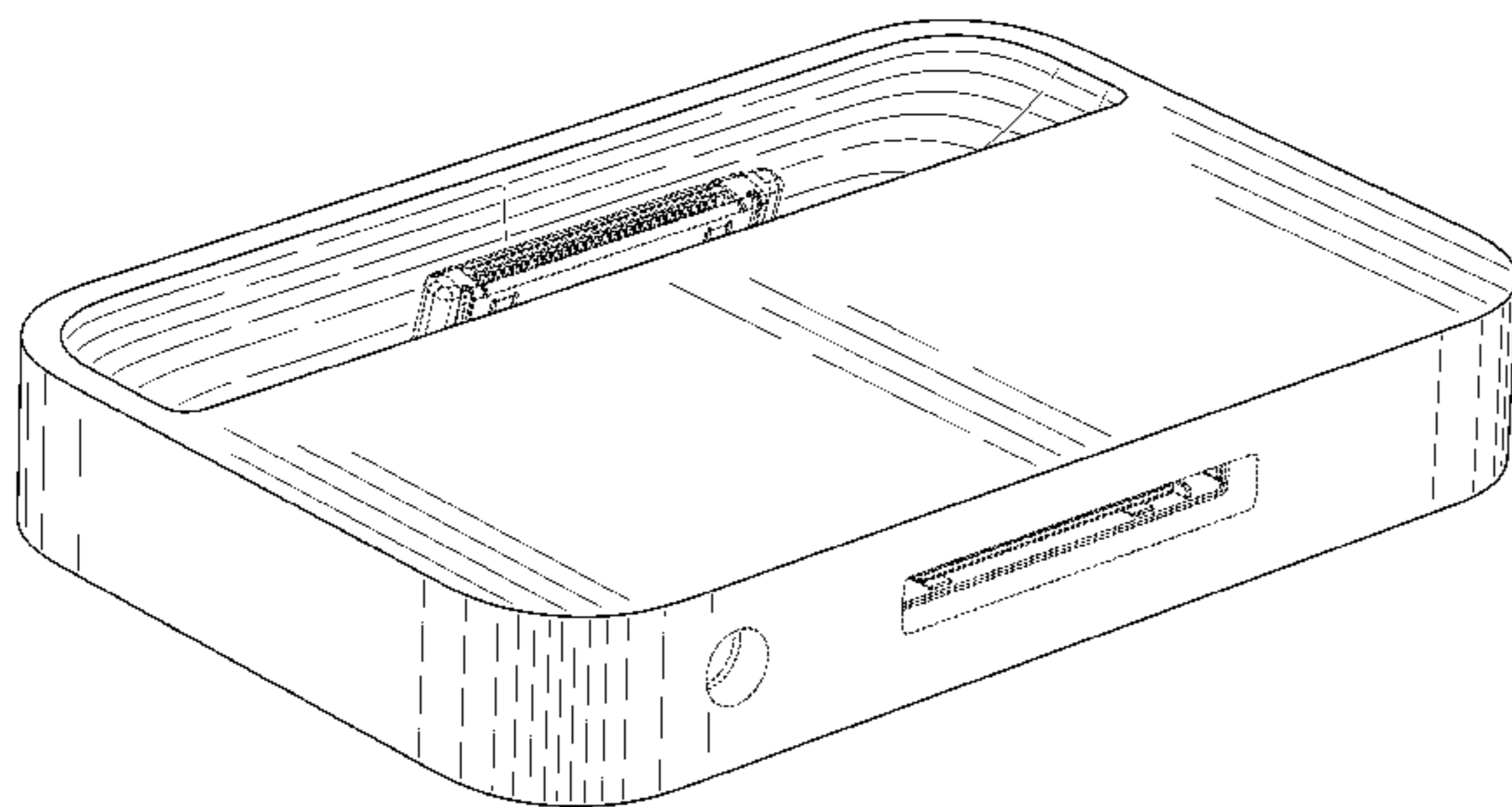
FIG. 9 is a rear view thereof; and,

FIG. 10 is front view thereof.

The shade lines in the Figures show contour and not surface
ornamentation.

The broken lines in the figures show portions of the docking
station which form no part of the claimed design.

1 Claim, 8 Drawing Sheets



US D648,707 S

Page 2

U.S. PATENT DOCUMENTS

D568,874 S 5/2008 Andre et al.
D571,360 S 6/2008 Andre et al.
D592,187 S * 5/2009 Ledbetter et al. D14/217
D595,264 S 6/2009 Andre et al.
D596,621 S 7/2009 Andre et al.
D597,080 S 7/2009 Andre et al.
D597,081 S 7/2009 Andre et al.
D599,784 S * 9/2009 Hansen et al. D14/217
D610,128 S 2/2010 Andre et al.
D623,188 S * 9/2010 Son et al. D14/434
D634,304 S * 3/2011 Andre et al. D14/217
2006/0250764 A1 11/2006 Howarth et al.
2007/0047198 A1 3/2007 Crooijmans et al.
2010/0118485 A1* 5/2010 Crooijmans et al. 361/679.43

OTHER PUBLICATIONS

U.S. Appl. No. 29/351,166, Andre et al., filed Dec. 1, 2009, entitled
“Stand.”
Office Action in U.S. Appl. No. 29/237,687, mailed Apr. 18, 2007.
Office Action in U.S. Appl. No. 29/237,687, mailed Oct. 5, 2007.
Advisory Action in U.S. Appl. No. 29/237,687, mailed Nov. 29,
2007.
Examiner’s Answer in U.S. Appl. No. 29/237,687, mailed Aug. 28,
2009.
* cited by examiner

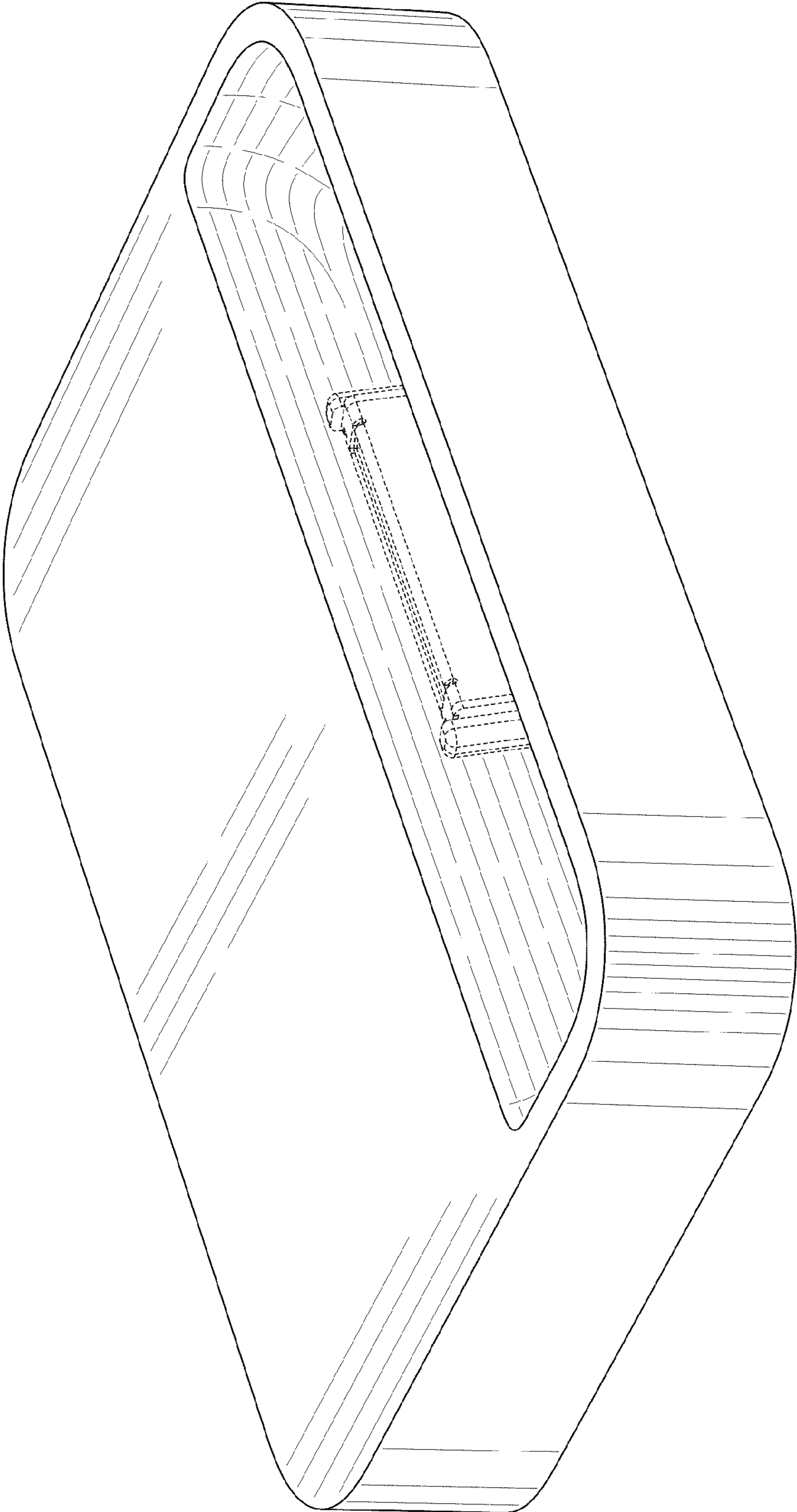


FIG. 1

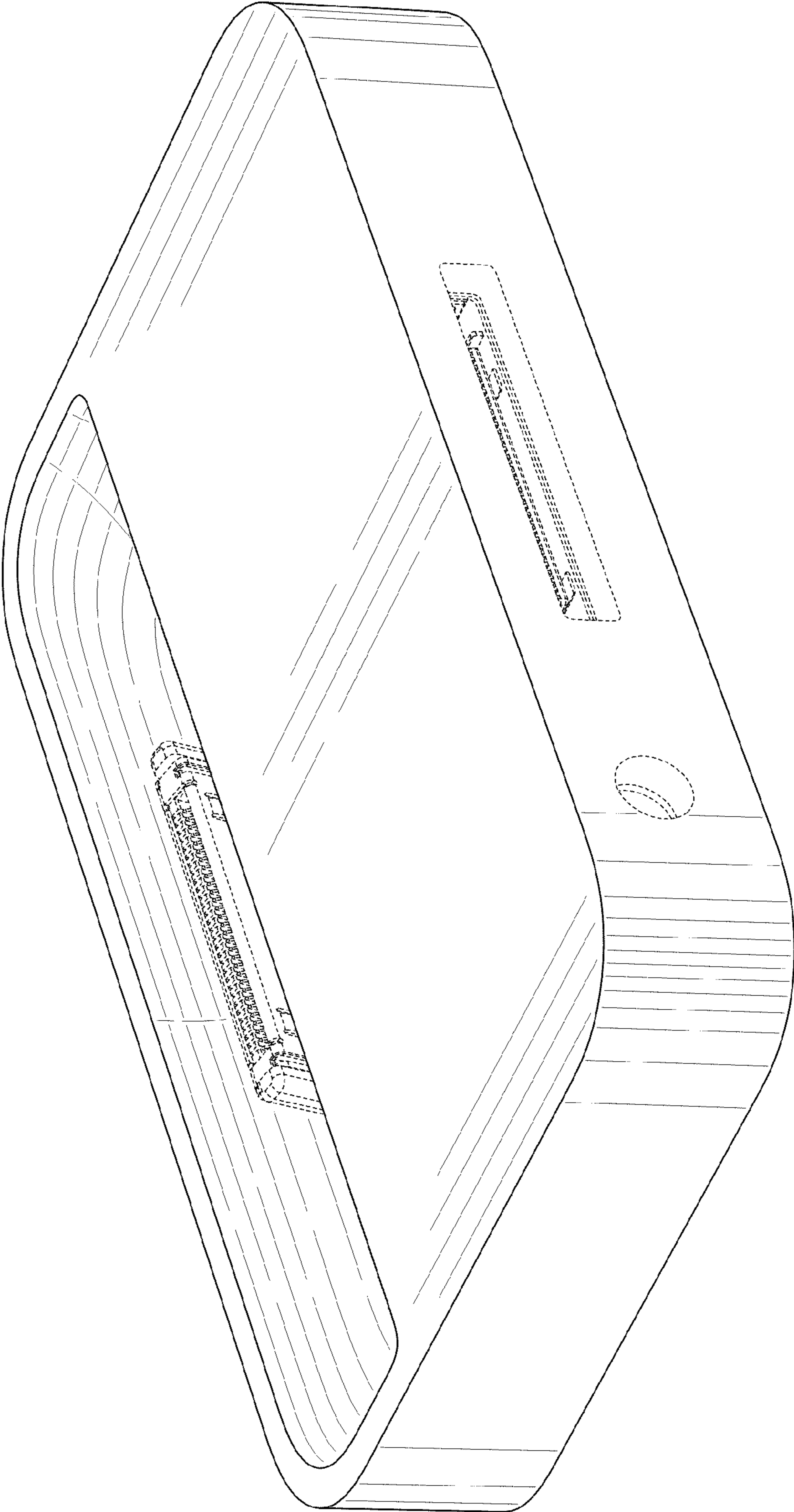


FIG. 2

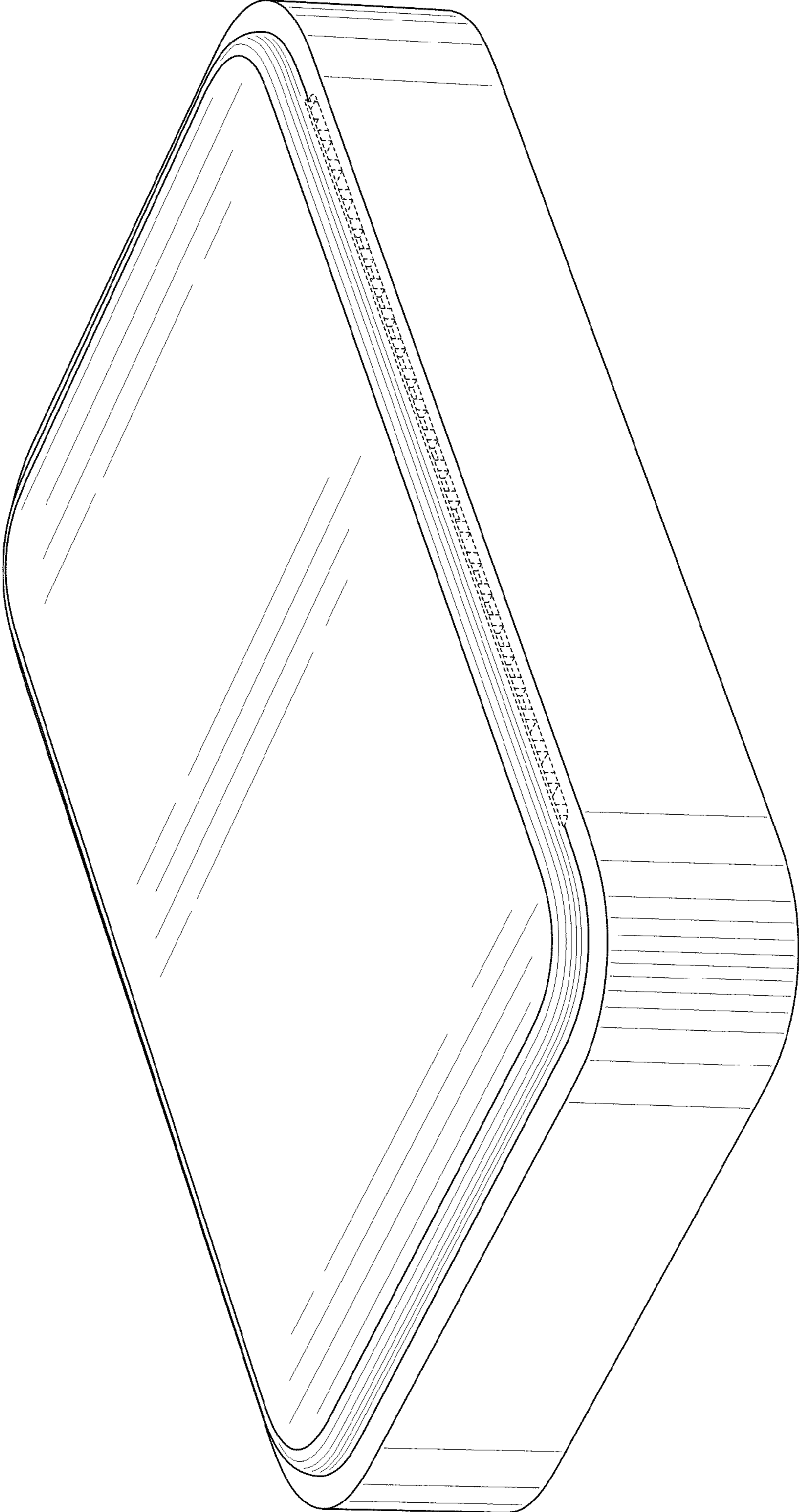


FIG. 3

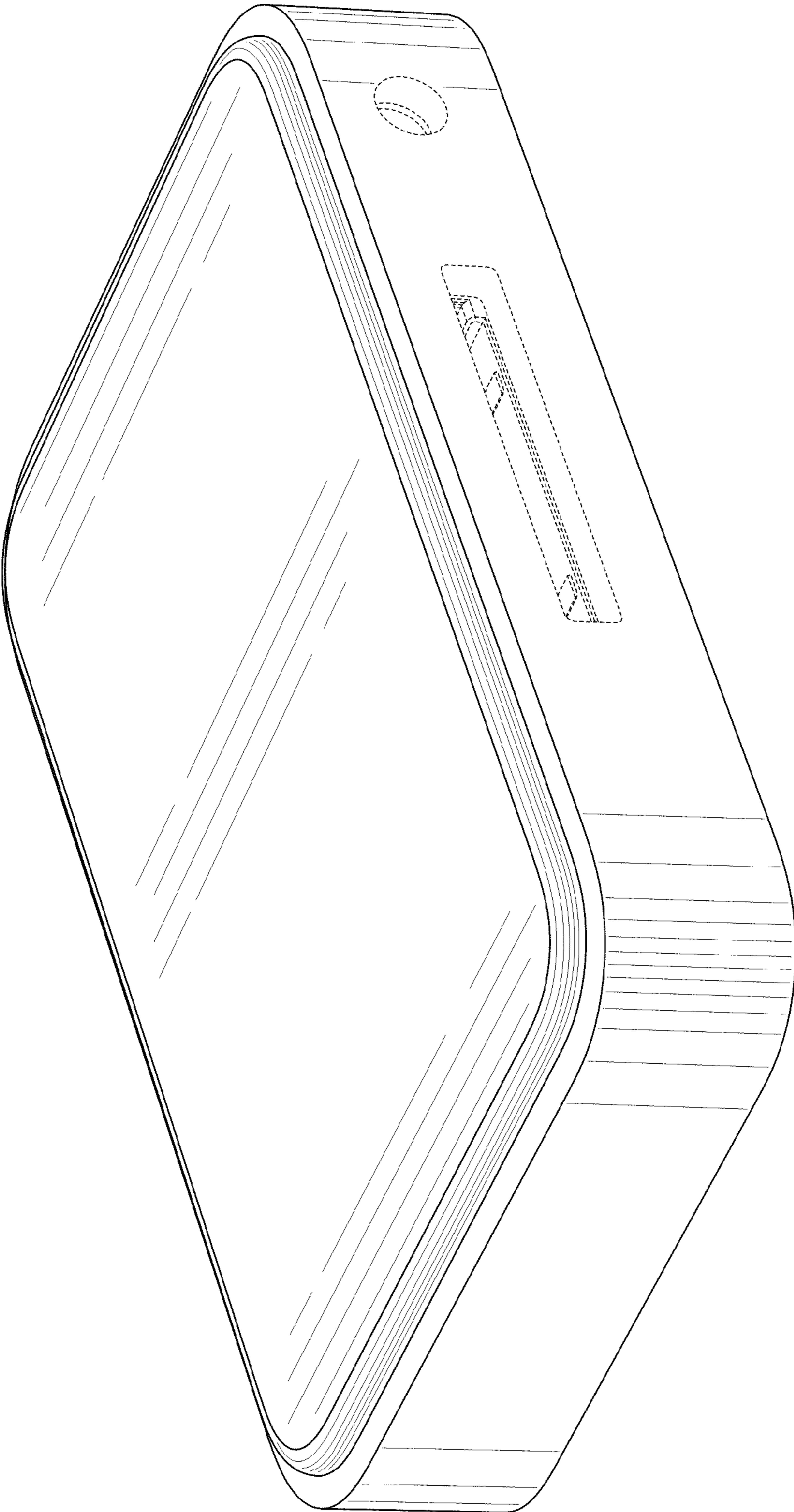


FIG. 4

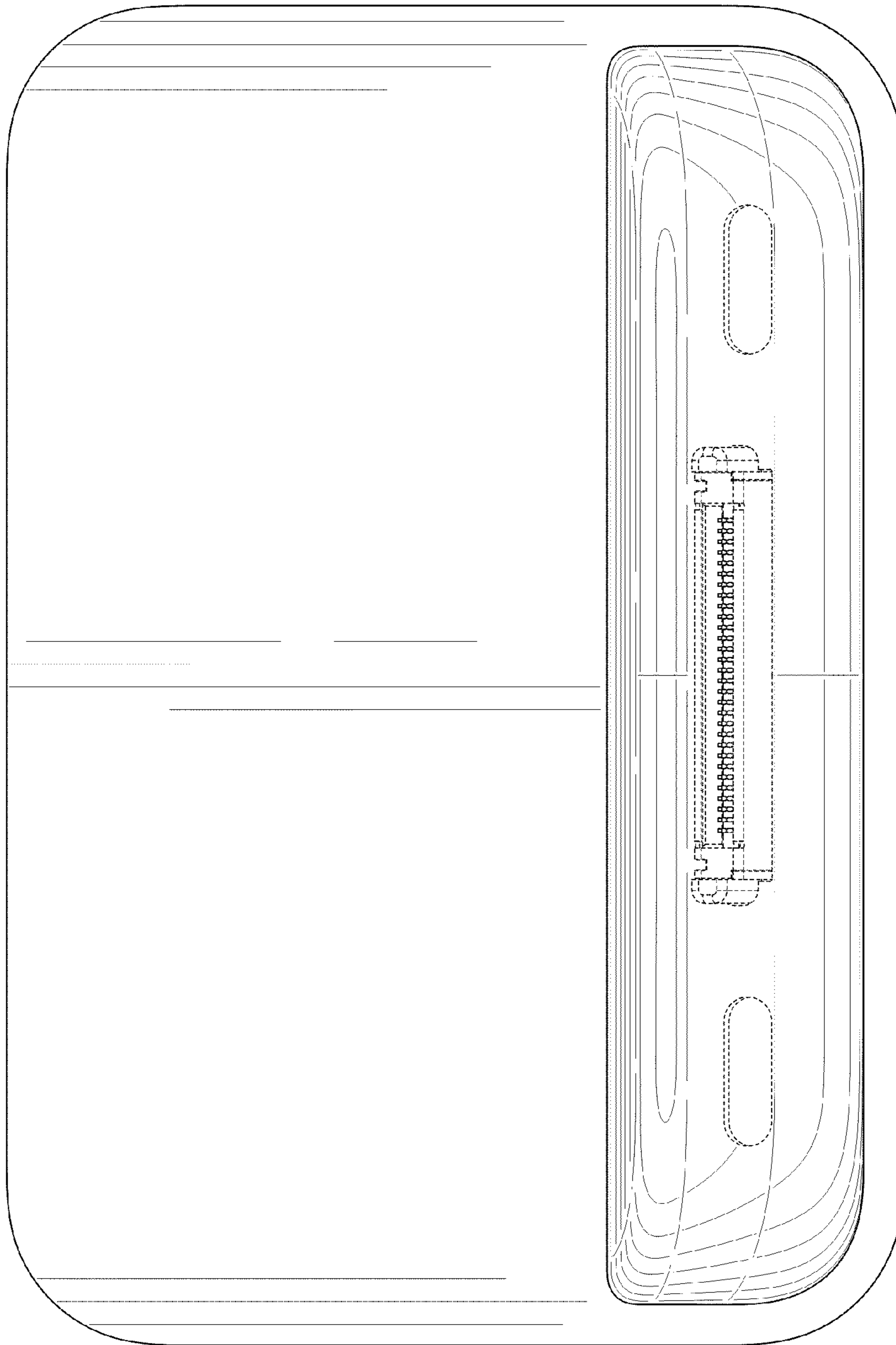


FIG. 5

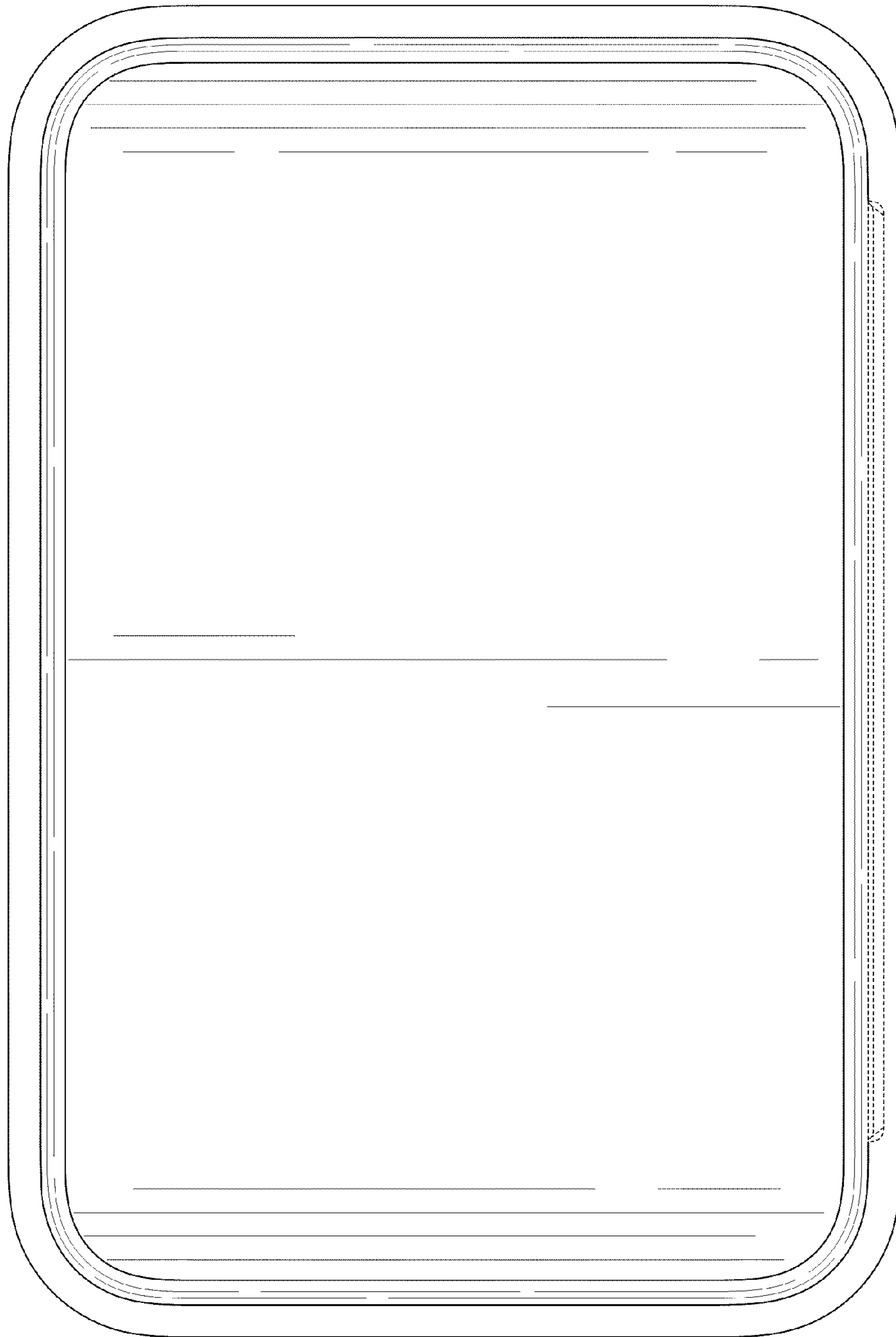


FIG. 6

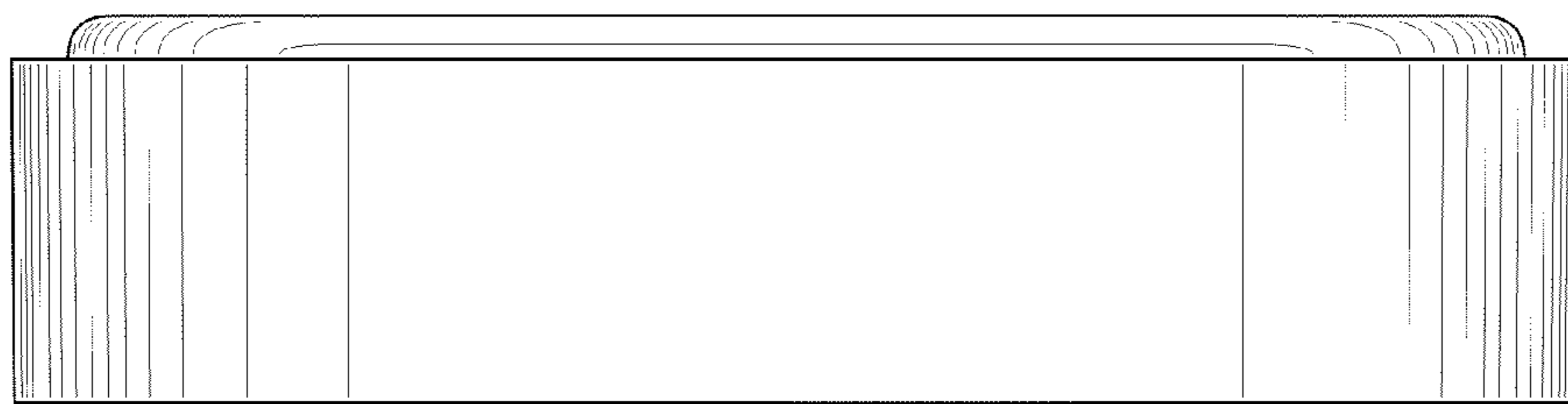


FIG. 7

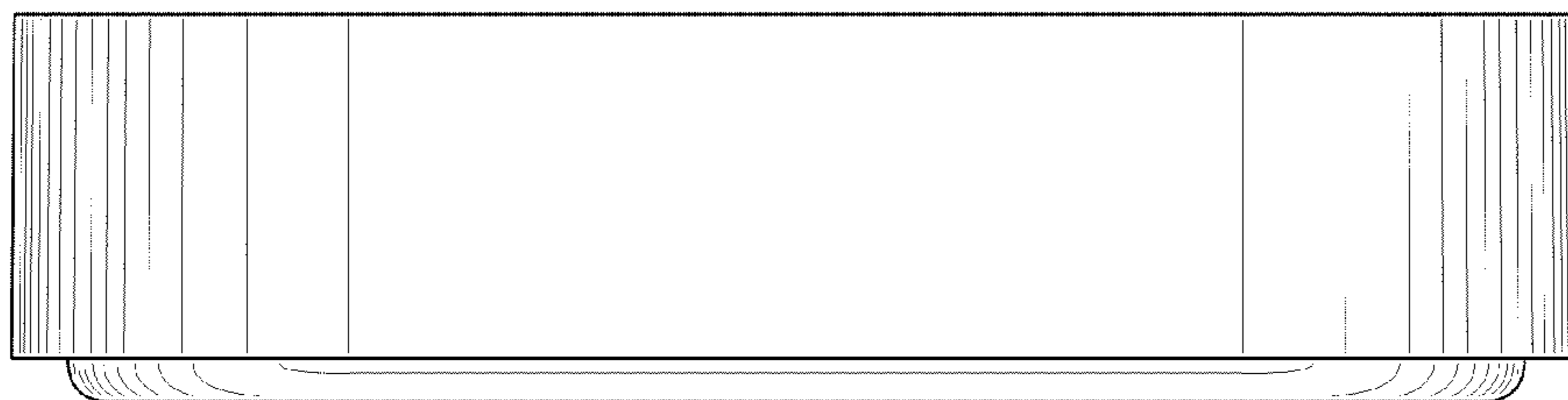


FIG. 8

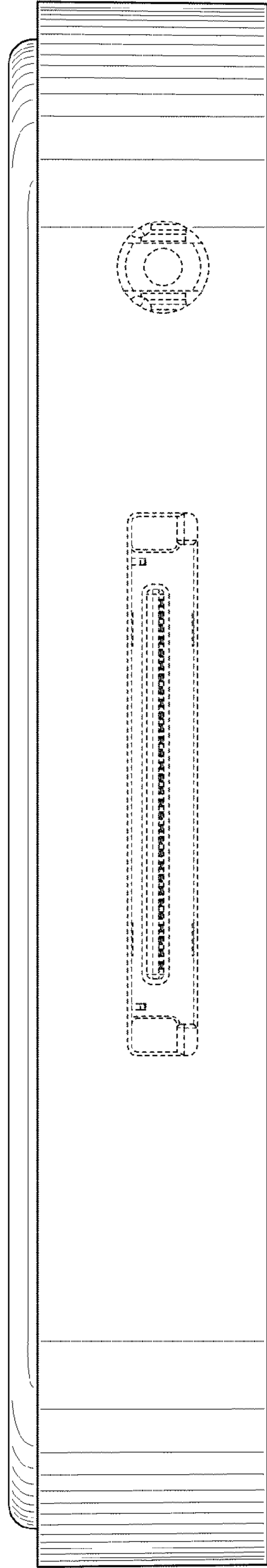


FIG. 9

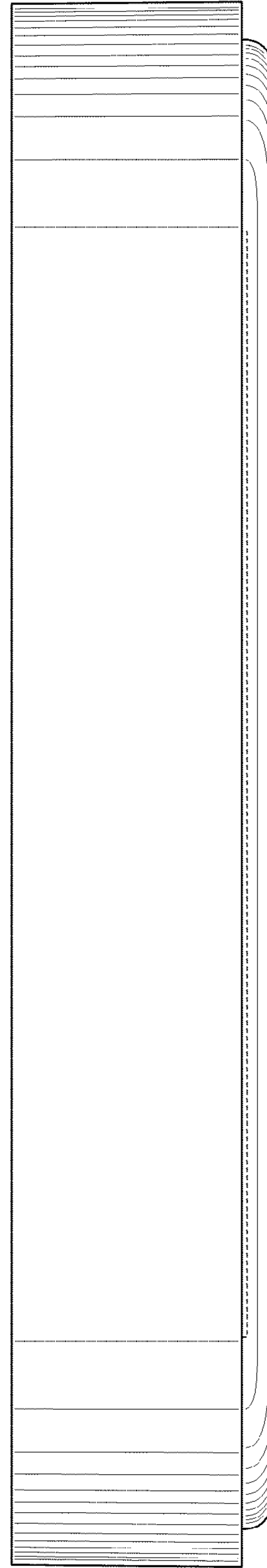


FIG. 10