



US00D648702S

(12) **United States Design Patent**
Yamazaki et al.

(10) **Patent No.:** **US D648,702 S**

(45) **Date of Patent:** **** Nov. 15, 2011**

(54) **SOUND TRANSMITTER**

(75) Inventors: **Junko Yamazaki**, Tokyo (JP); **Kazue Oba**, Kanagawa (JP)

(73) Assignee: **Tomy Company, Ltd.**, Tokyo (JP)

(**) Term: **14 Years**

(21) Appl. No.: **29/365,267**

(22) Filed: **Jul. 7, 2010**

(30) **Foreign Application Priority Data**

Feb. 22, 2010 (JP) 2010-003970

(51) **LOC (9) Cl.** **14-03**

(52) **U.S. Cl.** **D14/159**

(58) **Field of Classification Search** D14/167,
D14/154, 168, 188, 496, 156, 160, 161, 162,
D14/163, 164, 165, 158, 253, 192, 159, 155,
D14/138 AB, 137, 104.1; 455/351, 350,
455/353; D10/104, 106, 65, 78; 340/573.4,
340/573.1

See application file for complete search history.

(56) **References Cited**

U.S. PATENT DOCUMENTS

D321,882 S * 11/1991 Huei D14/196
D376,764 S * 12/1996 Barnes D10/104.1
D424,561 S * 5/2000 Heath D14/159
D430,546 S * 9/2000 Gibson D14/137

D440,511 S * 4/2001 Heath D10/104.1
D487,276 S * 3/2004 Cobigo D14/496
D487,470 S * 3/2004 Cobigo D14/496
D497,149 S * 10/2004 Daniels D14/137
D538,245 S * 3/2007 Heath D14/137
D538,267 S * 3/2007 Christianson et al. D14/216
D539,252 S * 3/2007 Heath D14/137
D572,230 S * 7/2008 Neu et al. D14/155
D580,415 S * 11/2008 Beaver, Jr. D14/230

OTHER PUBLICATIONS

U.S. Appl. No. 29/365,269, filed Jul. 7, 2010, Junko Yamazaki, et al., Tomy Company, Ltd.

* cited by examiner

Primary Examiner — Austin Murphy

(74) *Attorney, Agent, or Firm* — Staas & Halsey LLP

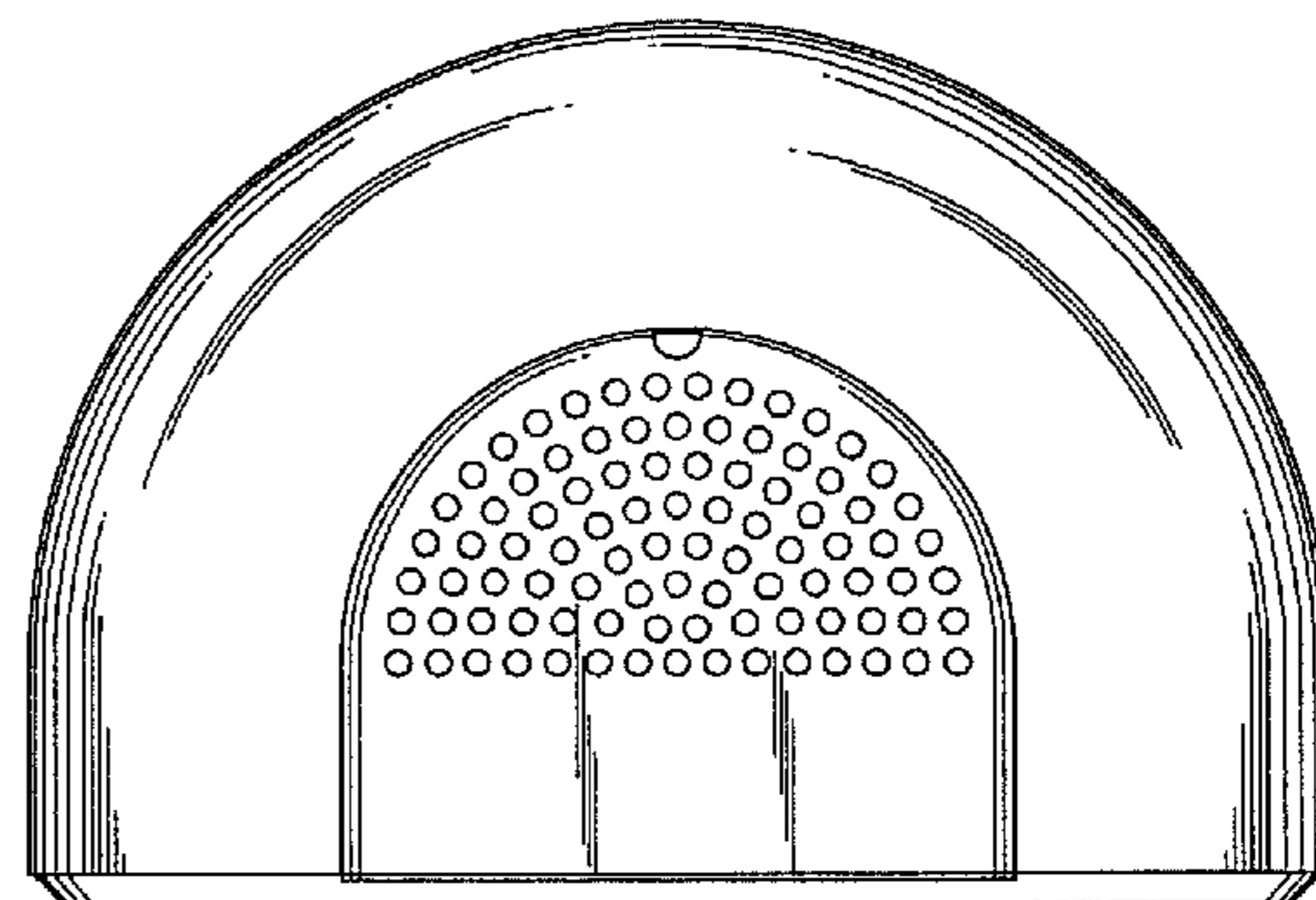
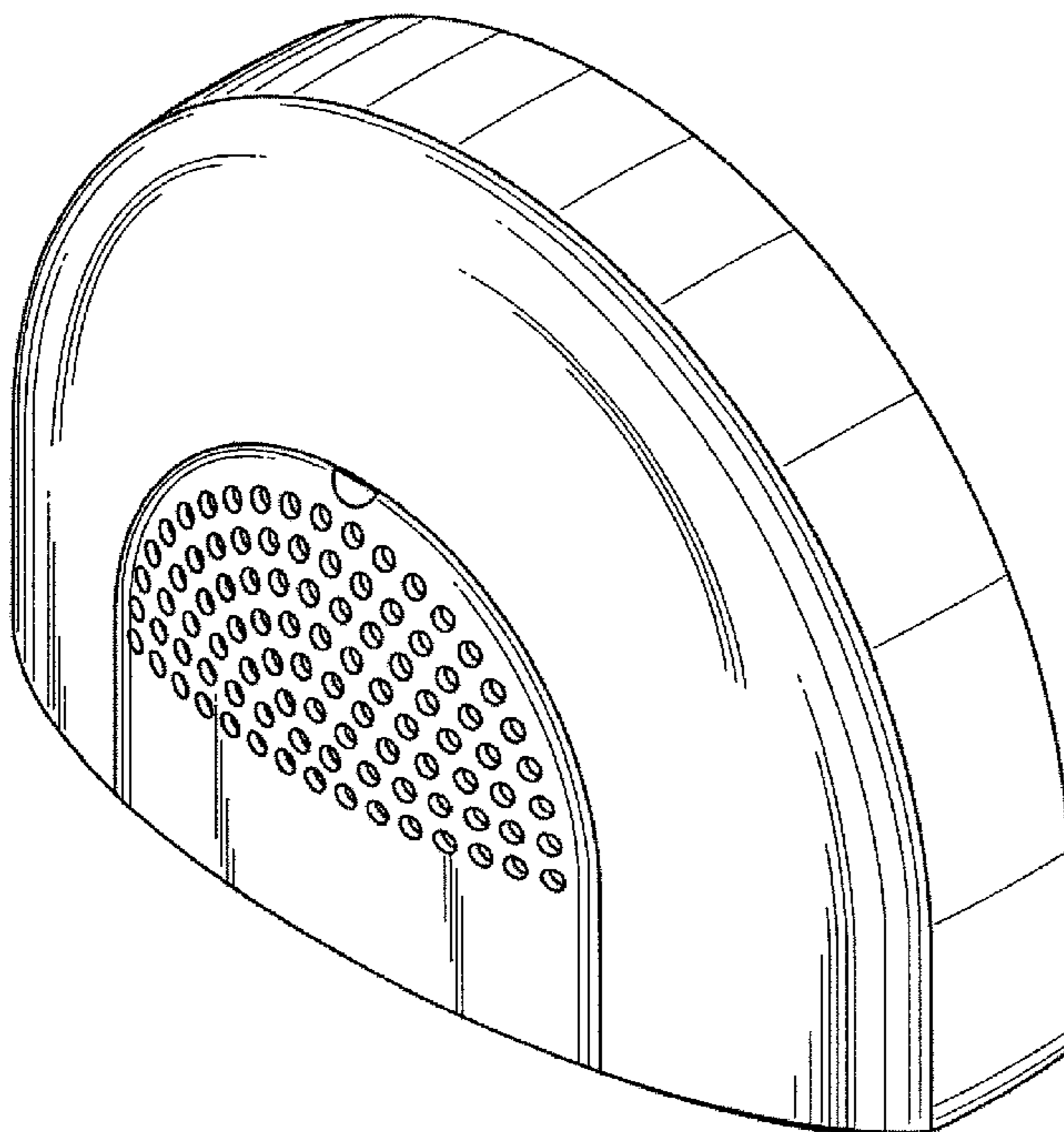
(57) **CLAIM**

The ornamental design for a sound transmitter, as shown.

DESCRIPTION

FIG. 1 is a front perspective view of the sound transmitter showing our design;
FIG. 2 is a front view thereof;
FIG. 3 is a rear view thereof;
FIG. 4 is a left side view thereof;
FIG. 5 is a right side view thereof;
FIG. 6 is a top view thereof;
FIG. 7 is a bottom view thereof; and,
FIG. 8 is a left side view thereof. The stippling shown in FIG. 8 represents the areas of the sound transmitter that emit illumination when in use.

1 Claim, 8 Drawing Sheets



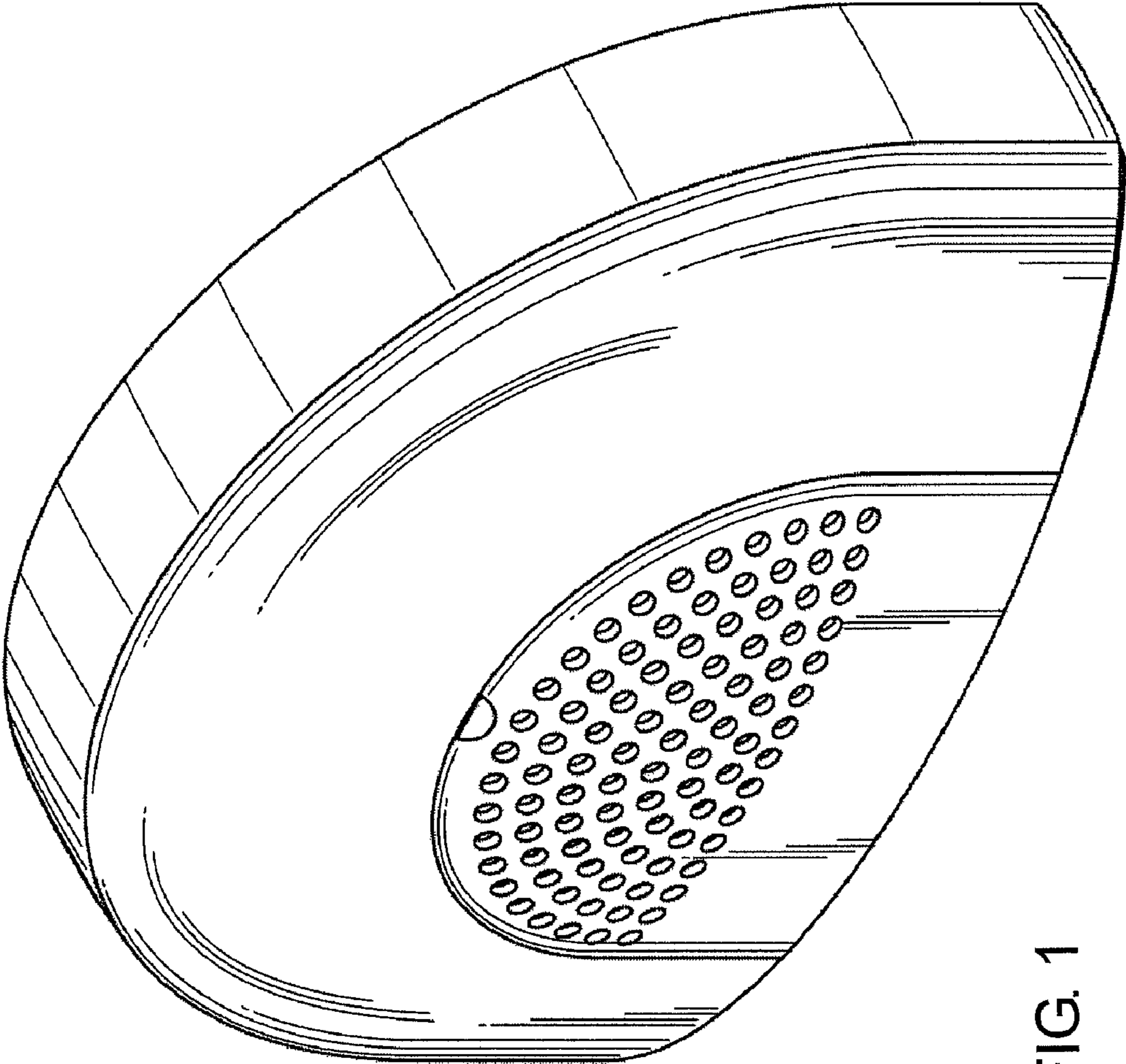
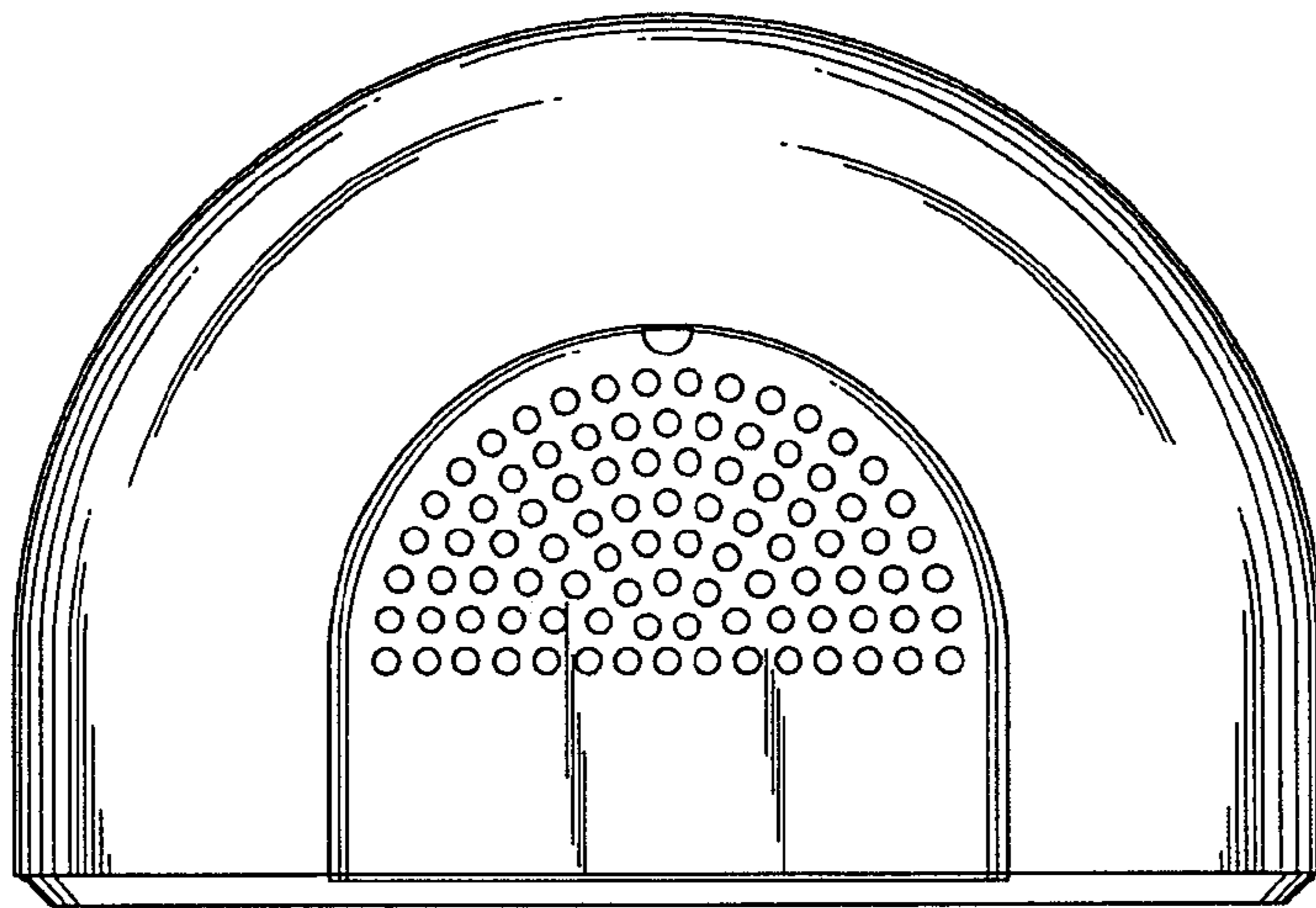


FIG. 1

FIG. 2



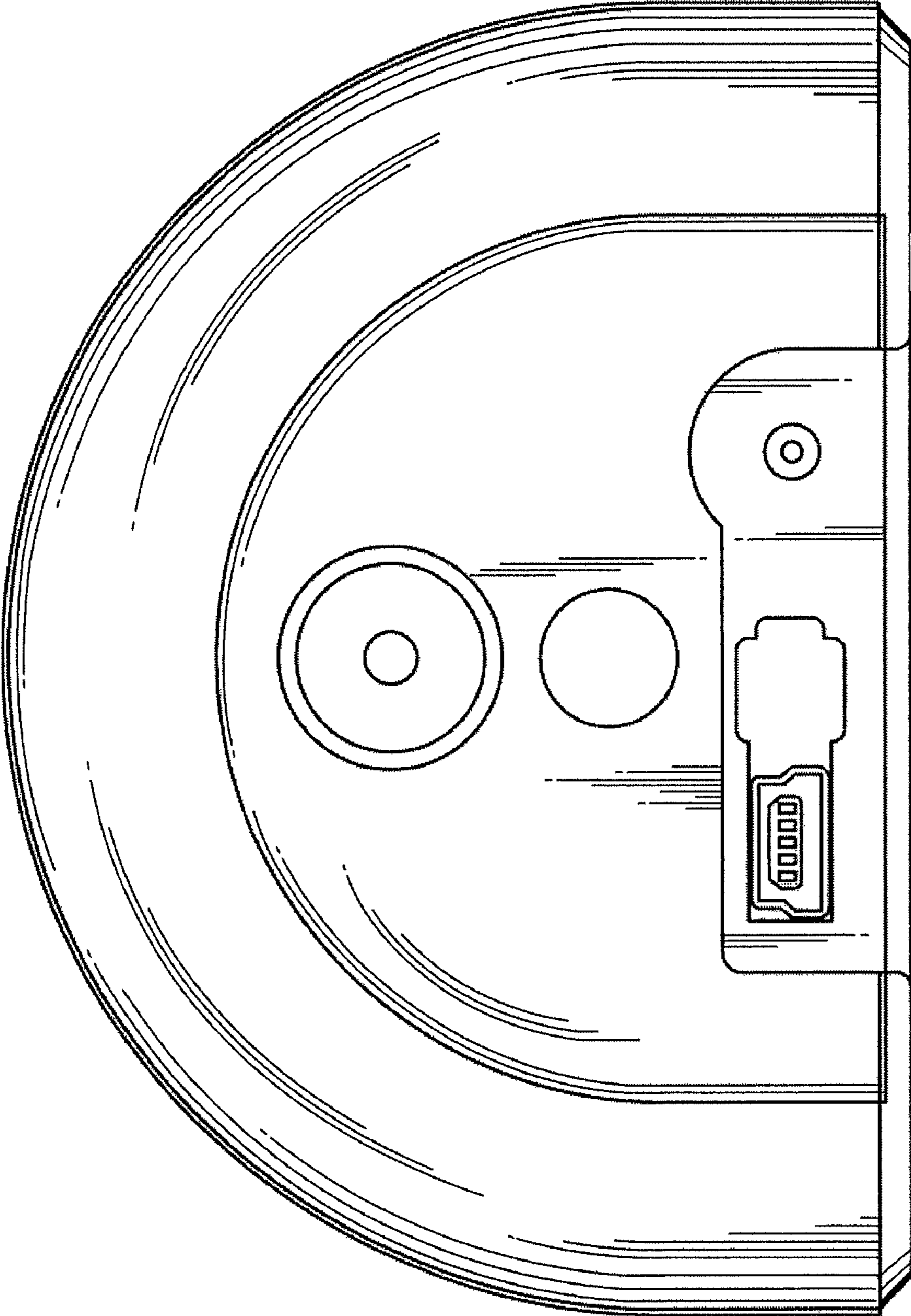


FIG. 3

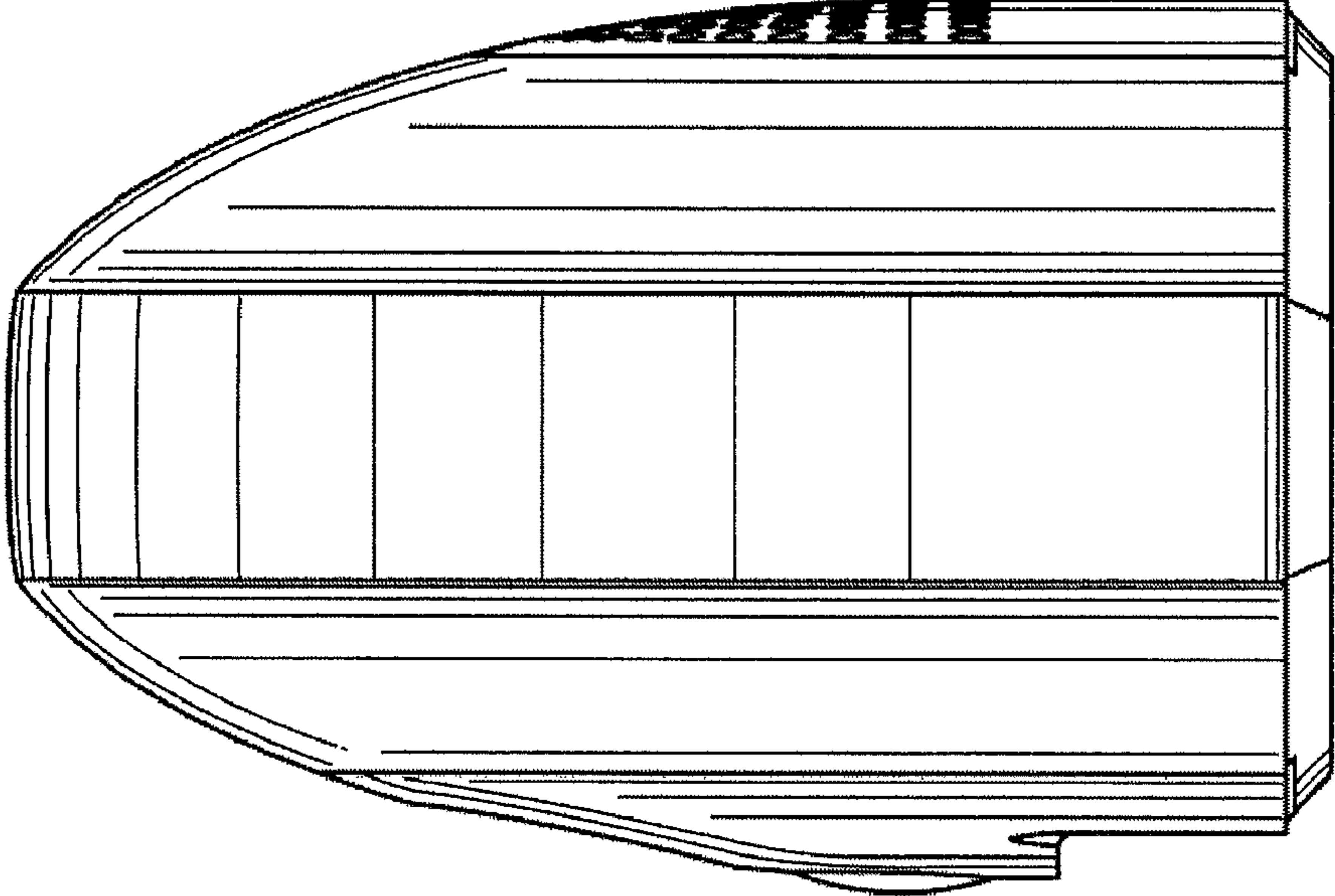


FIG. 4

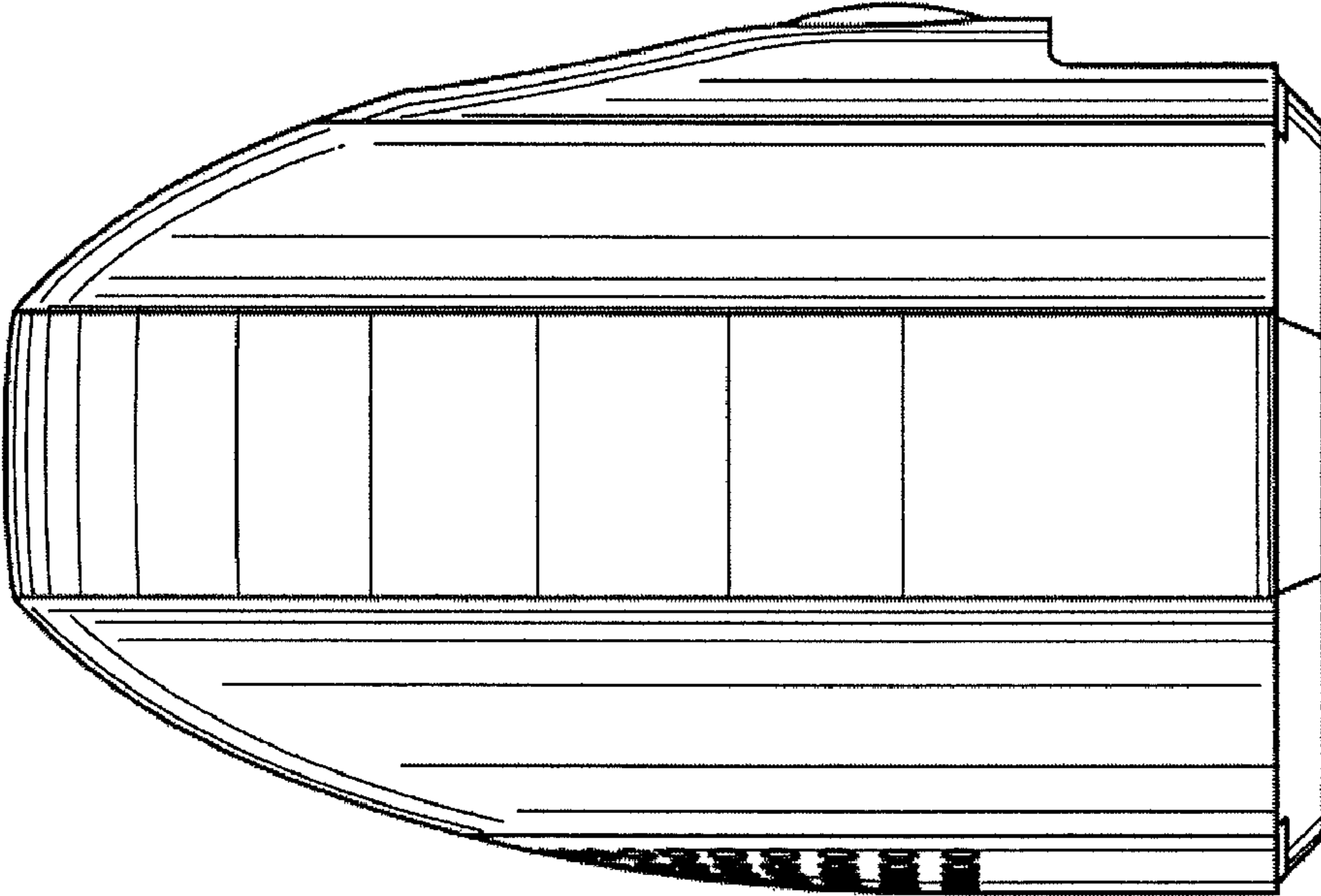


FIG. 5

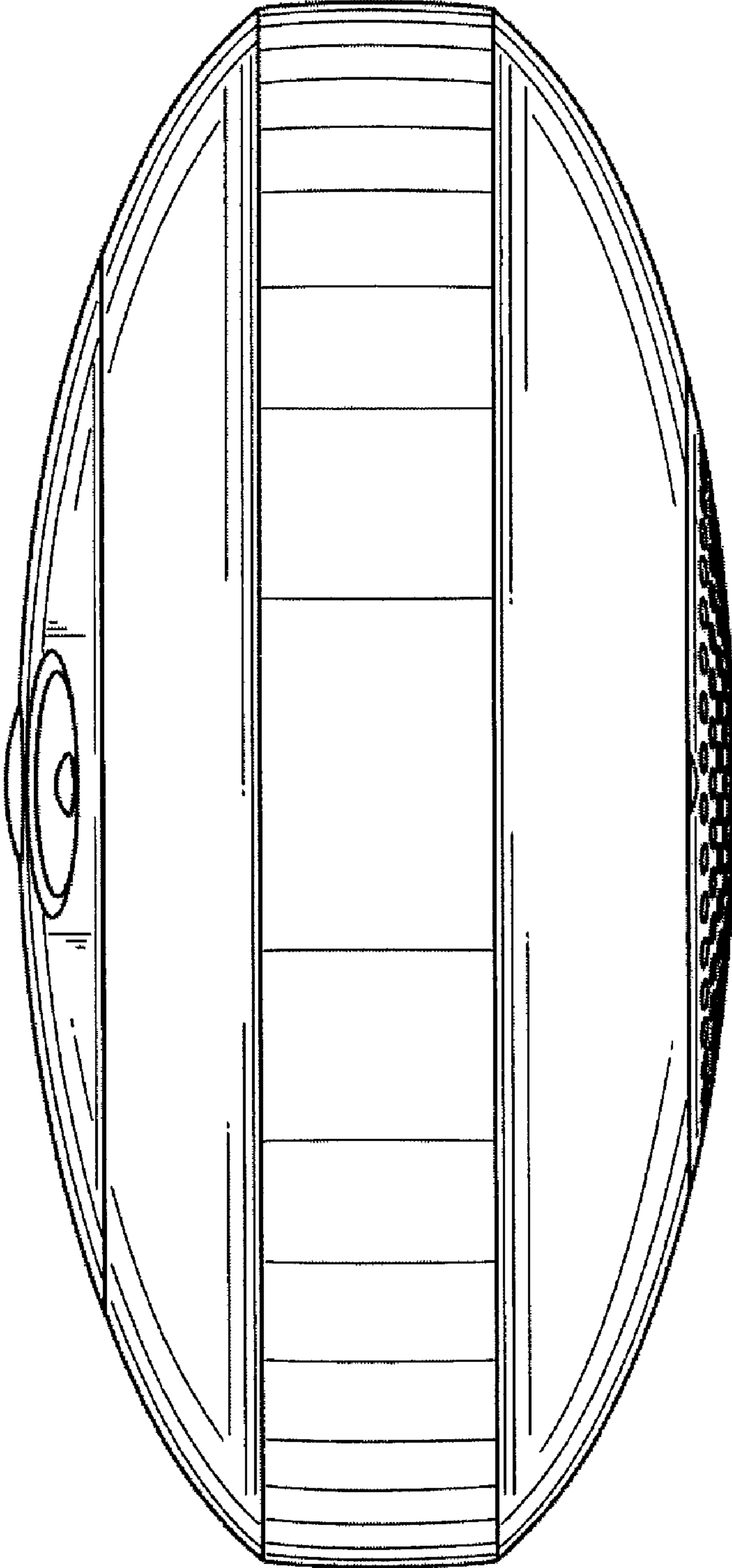


FIG. 6

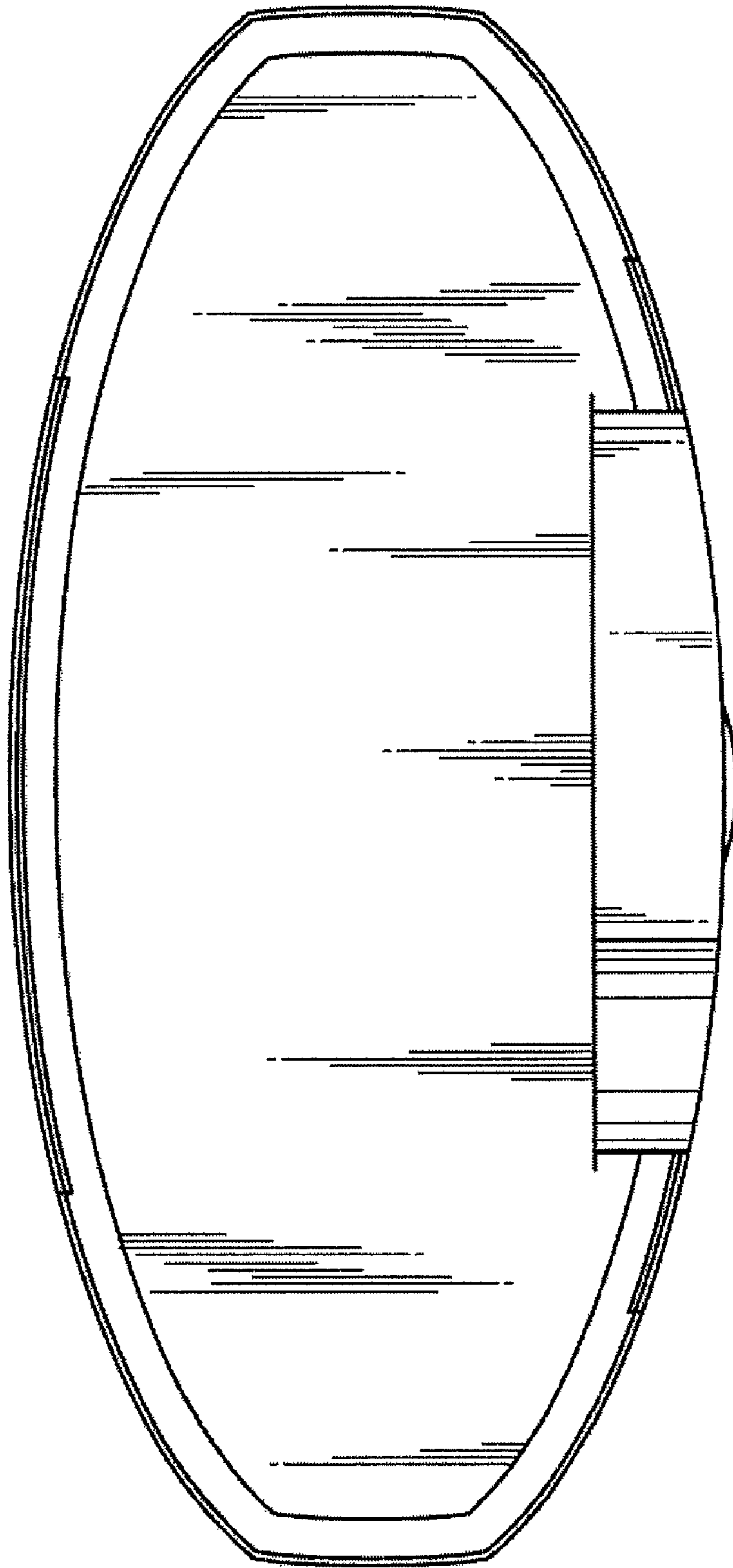


FIG. 7

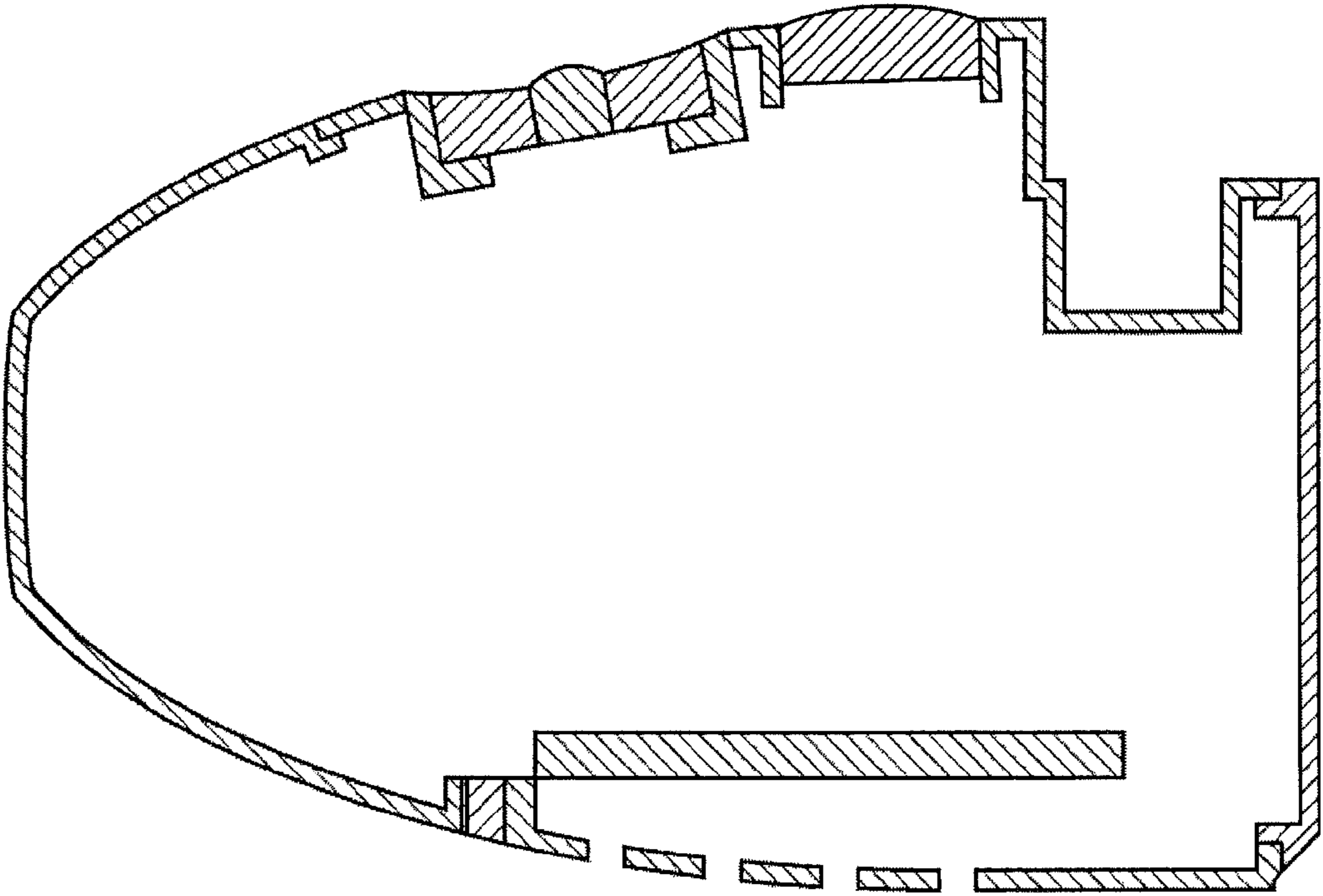


FIG. 8