



US00D648695S

(12) **United States Design Patent**
Wun et al.

(10) **Patent No.:** **US D648,695 S**

(45) **Date of Patent:** **** *Nov. 15, 2011**

(54) **HANDHELD ELECTRONIC DEVICE**

(75) Inventors: **Archer Chi Kwong Wun**, Maple (CA);
Todd Andrew Wood, Toronto (CA);
Roman Peter Rak, Waterloo (CA);
Alina Claudia Oprea, Waterloo (CA)

(73) Assignee: **Research In Motion Limited**, Waterloo,
Ontario (CA)

(*) Notice: This patent is subject to a terminal disclaimer.

(**) Term: **14 Years**

(21) Appl. No.: **29/385,330**

(22) Filed: **Feb. 11, 2011**

Related U.S. Application Data

(63) Continuation of application No. 29/355,676, filed on
Feb. 11, 2010, now Pat. No. Des. 635,111.

(51) **LOC (9) Cl.** **14-03**

(52) **U.S. Cl.** **D14/138 AB; D14/346**

(58) **Field of Classification Search** D14/138 AB,
D14/138 AA, 496, 341, 345, 346, 203.3,
D14/203.4, 203.7, 138 AD, 138 R, 147, 218,
D14/137; 455/575.1, 556.2, 575.3, 575.4;
D21/517; 379/433.01, 433.04, 433.11, 433.12,
379/433.13; D13/168

See application file for complete search history.

(56) **References Cited**

U.S. PATENT DOCUMENTS

D510,079 S *	9/2005	Kim et al.	D14/138 AB
D519,970 S *	5/2006	Kang et al.	D14/138 AB
D545,798 S *	7/2007	Kimbire	D14/138 AB
D555,124 S *	11/2007	Lee	D14/138 AB
D557,670 S *	12/2007	Park et al.	D14/138 AB
D559,216 S *	1/2008	Sheu	D14/138 AB
D563,358 S *	3/2008	Baik et al.	D14/138 AB
D563,361 S *	3/2008	Moon et al.	D14/138 AB
D566,079 S *	4/2008	Kim	D14/138 AB

D569,831 S *	5/2008	Chung et al.	D14/138 AB
D574,352 S *	8/2008	Cha et al.	D14/138 AB
D584,268 S *	1/2009	Kim	D14/138 AB
D585,409 S *	1/2009	Kim	D14/138 AB
D585,865 S *	2/2009	Lim et al.	D14/138 AB
D586,324 S *	2/2009	Lee et al.	D14/138 AB
D591,742 S *	5/2009	Hofer et al.	D14/346
D593,523 S *	6/2009	Neumann et al.	D14/138 AB
D594,435 S *	6/2009	Chambers	D14/138 AB
D596,600 S *	7/2009	Wun et al.	D14/138 AB
D596,609 S *	7/2009	Kim et al.	D14/138 AB
D597,995 S *	8/2009	Jones et al.	D14/138 AB
D597,998 S *	8/2009	Song et al.	D14/138 AB

(Continued)

OTHER PUBLICATIONS

BlackBerry Style 9670 telephone, announced Oct. 2010, [site visited
Mar. 25, 2011]. Available from Internet, <URL: <http://www.gsmarena.com>>.*

(Continued)

Primary Examiner — Jeffrey D Asch

(57) **CLAIM**

We claim the ornamental design for a handheld electronic device, as shown and described.

DESCRIPTION

FIG. 1 is a front perspective view of a handheld electronic device;

FIG. 2 is a back perspective view of the handheld electronic device;

FIG. 3 is a front elevational view thereof;

FIG. 4 is a back elevational view thereof;

FIG. 5 is a right elevational view thereof;

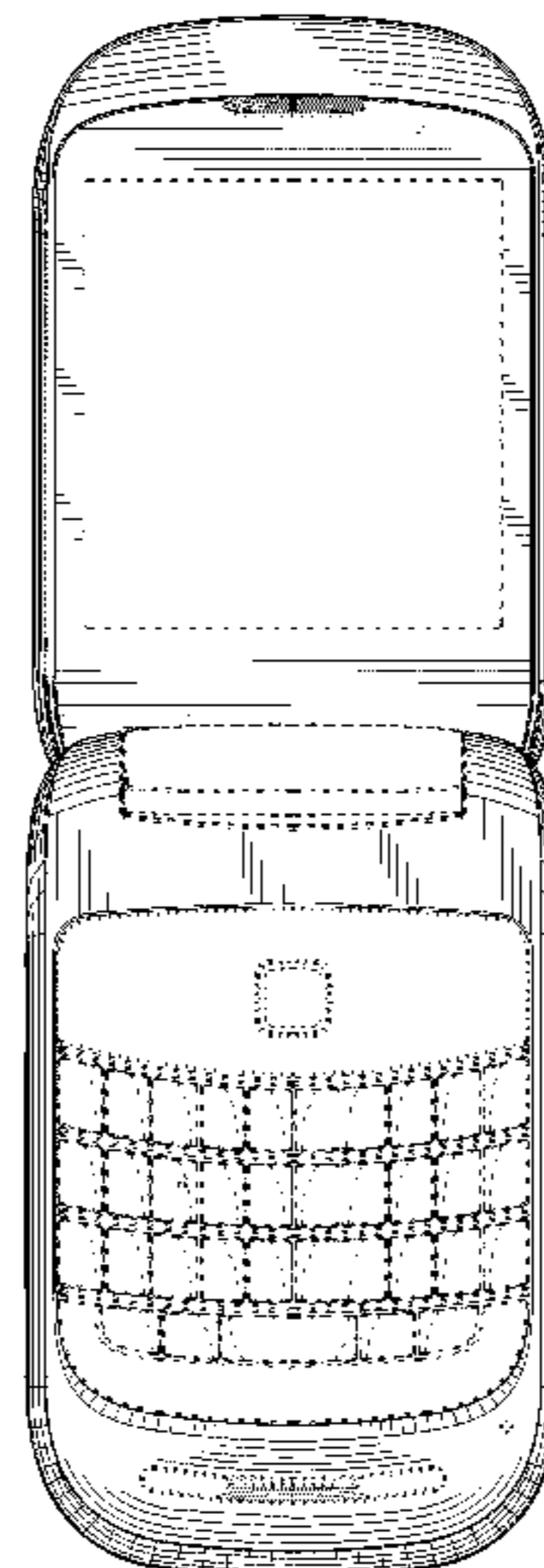
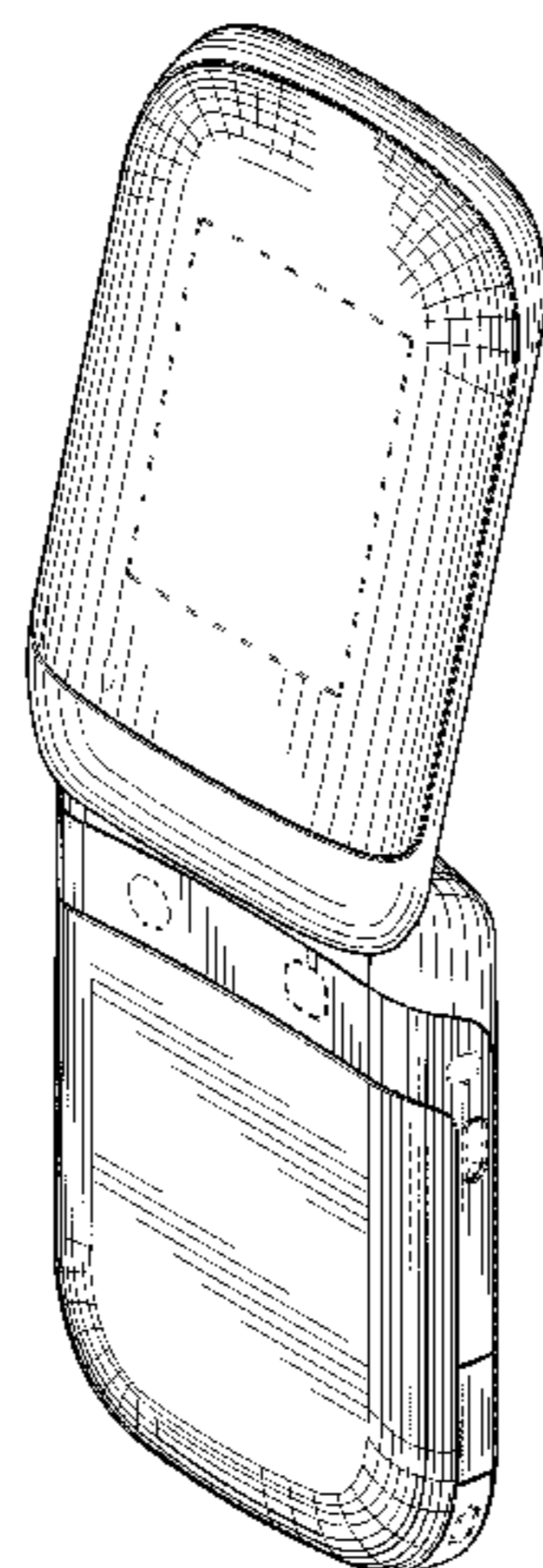
FIG. 6 is a left elevational view thereof;

FIG. 7 is a top plan view thereof; and,

FIG. 8 is a bottom plan view thereof.

The broken lines shown in the drawings of the handheld electronic device are for the purpose of illustrating portions of the article and form no part of the claimed design.

1 Claim, 6 Drawing Sheets



U.S. PATENT DOCUMENTS

D601,996	S	*	10/2009	Jeoung et al.	D14/138 AB
D604,264	S	*	11/2009	Ham	D14/138 AB
D606,508	S	*	12/2009	Wun et al.	D14/138 AB
D607,430	S	*	1/2010	Song et al.	D14/138 AB
D615,065	S	*	5/2010	Kim et al.	D14/138 AB
D618,236	S	*	6/2010	Ferrari et al.	D14/346
D626,106	S	*	10/2010	Okada et al.	D14/138 AB
D627,751	S	*	11/2010	Kim et al.	D14/138 AB
D634,291	S	*	3/2011	Wun et al.	D14/138 AB
D634,724	S	*	3/2011	Wun et al.	D14/138 AB
D635,111	S	*	3/2011	Wun et al.	D14/138 AB
2007/0167197	A1	*	7/2007	Fuke et al.	455/575.1
2007/0178949	A1	*	8/2007	Sato et al.	455/575.3
2008/0293459	A1	*	11/2008	Wang	455/575.3

OTHER PUBLICATIONS

Samsung U750 Zeal telephone, announced Nov. 2010, [online], [site visited Mar. 25, 2011]. Available from Internet, <URL: <http://www.gsmarena.com>>.*

LG U8550 telephone, announced Feb. 2006, [online], [site visited Mar. 25, 2011]. Available from Internet, <URL: <http://www.gsmarena.com>>.*

NEC e808 telephone, announced 1st quarter 2003, [online], [site visited Mar. 25, 2011]. Available from Internet, <URL: <http://www.gsmarena.com>>.*

Sony Ericsson Z310 telephone, announced Dec. 2006, [online], [site visited Mar. 25, 2011]. Available from Internet, <URL: <http://www.gsmarena.com>>.*

Samsung M310 telephone, announced May 2008, [online], [site visited Mar. 25, 2011]. Available from Internet, <URL: <http://www.gsmarena.com>>.*

Motorola EM28 telephone, announced Aug. 2008, [online], [site visited Mar. 25, 2011]. Available from Internet, <URL: <http://www.gsmarena.com>>.*

Motorola V3x telephone, announced 1st quarter 2005, [online], [site visited Mar. 25, 2011]. Available from Internet, <URL: <http://www.gsmarena.com>>.*

Samsung E1150 telephone, announced Feb. 2010, [online], [site visited Mar. 25, 2011]. Available from Internet, <URL: <http://www.gsmarena.com>>.*

Motorola Rambler telephone, announced Jul. 2010, [online], [site visited Mar. 25, 2011]. Available from Internet, <URL: <http://www.gsmarena.com>>.*

* cited by examiner

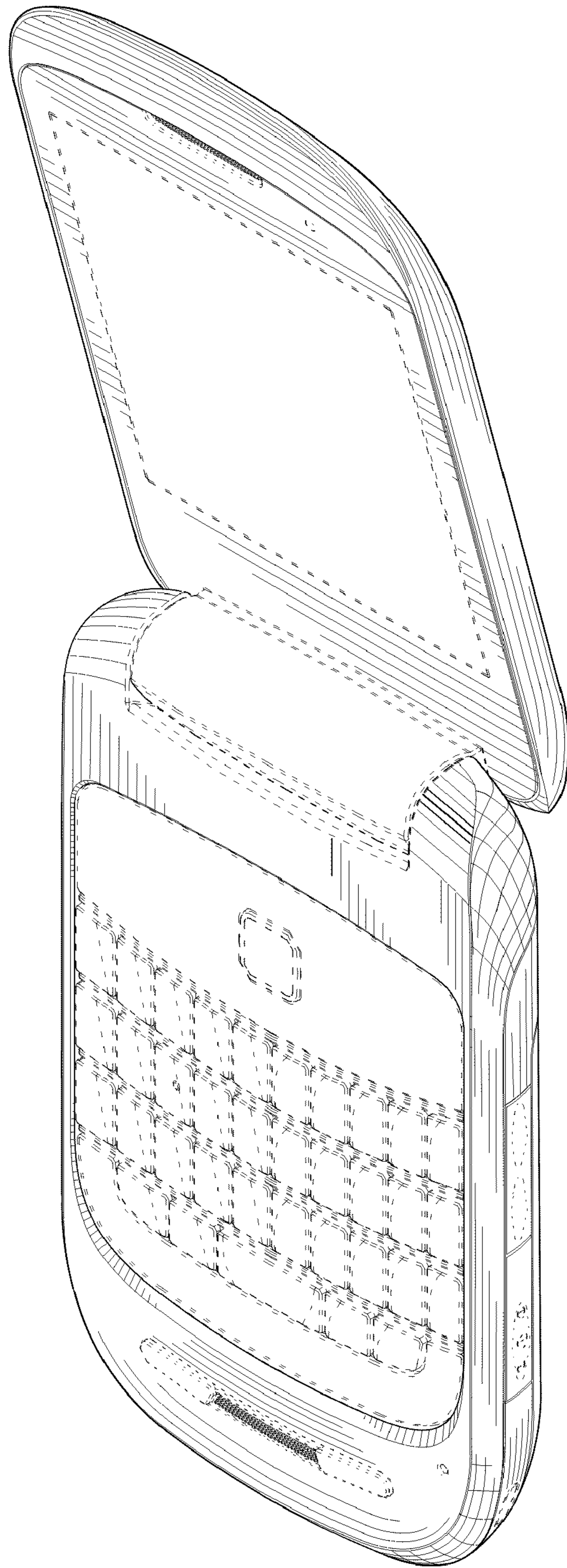


FIG.1

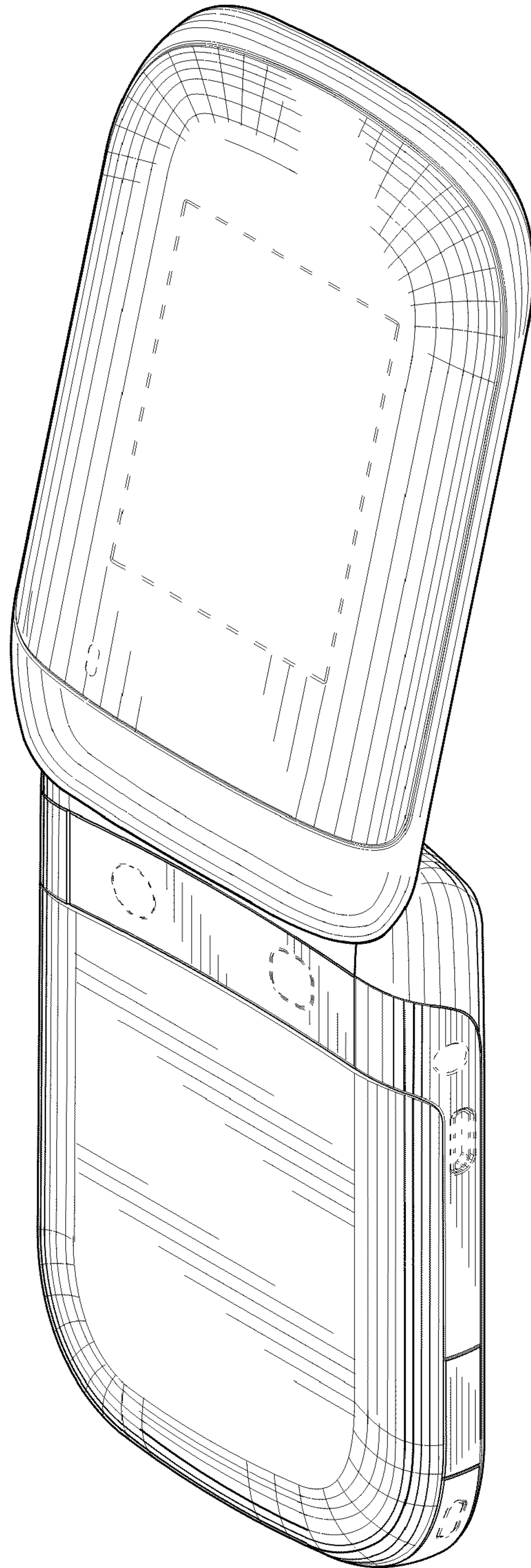


FIG.2

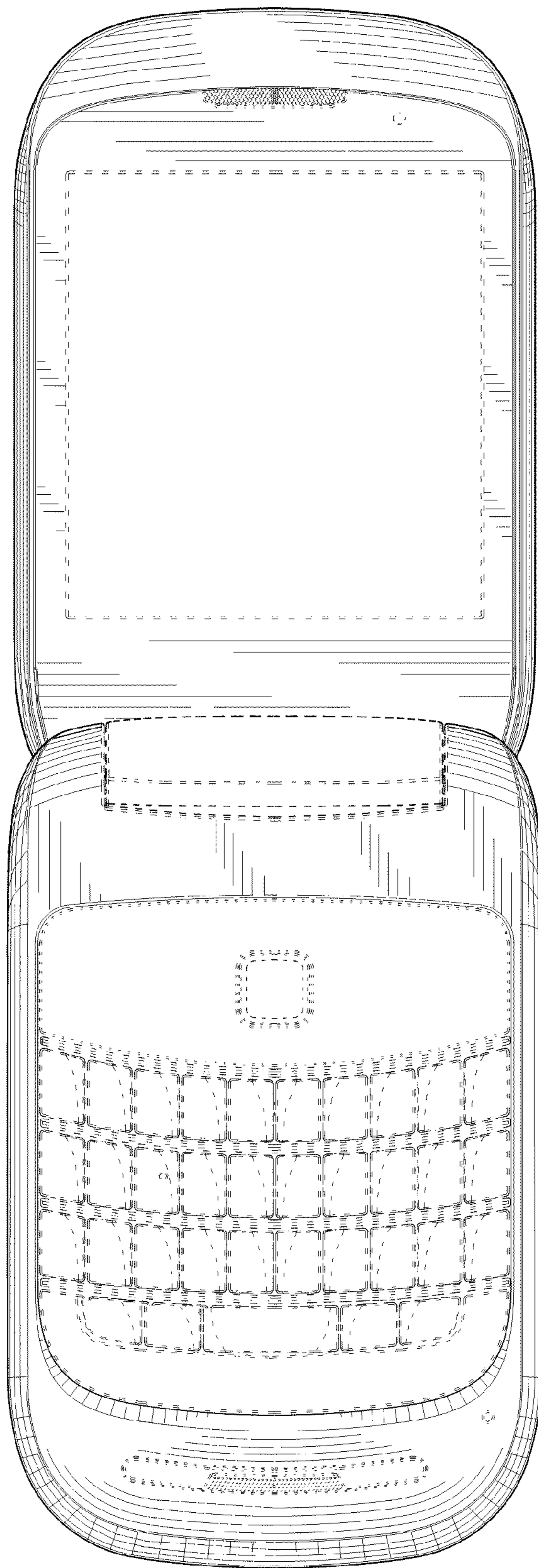


FIG.3

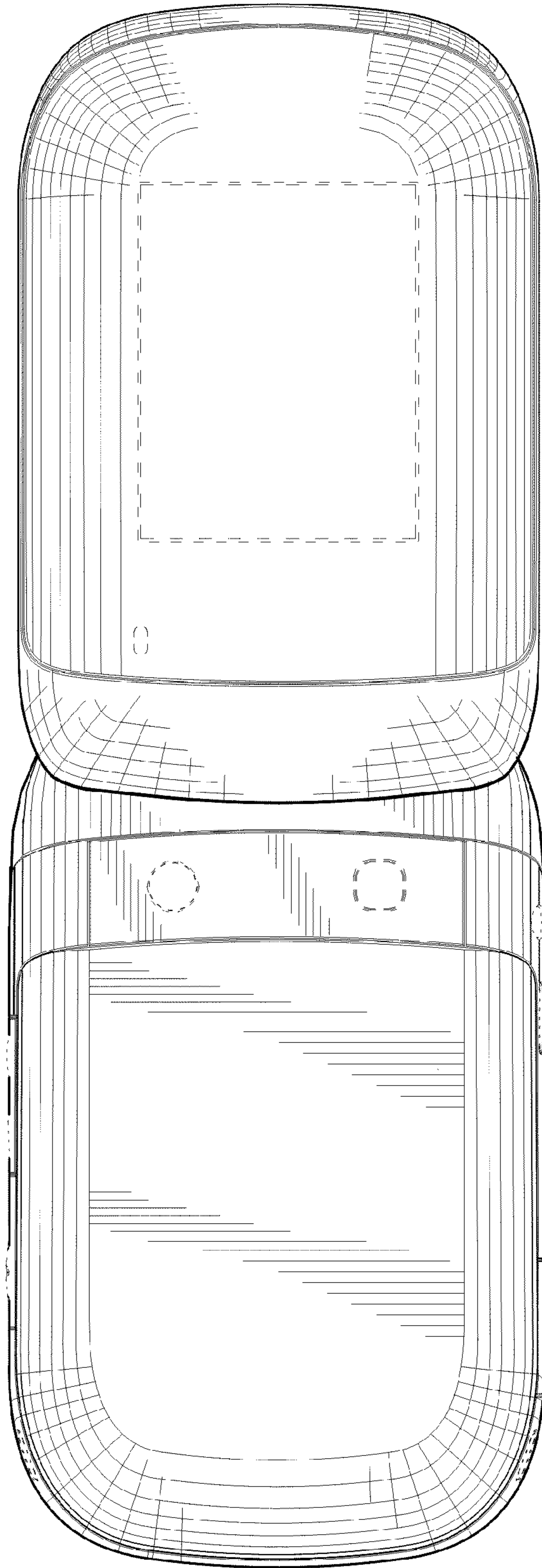


FIG.4

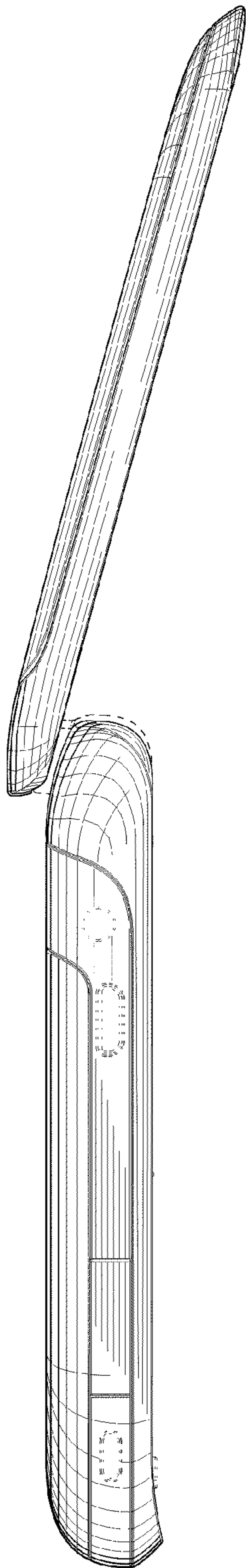


FIG. 5

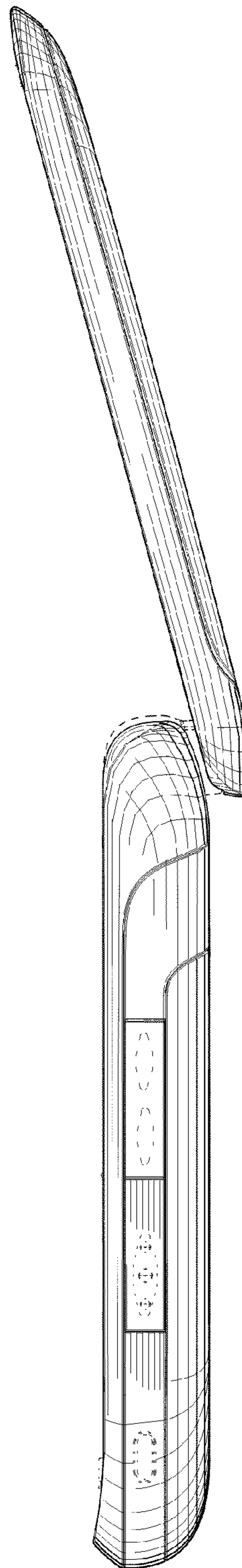


FIG. 6

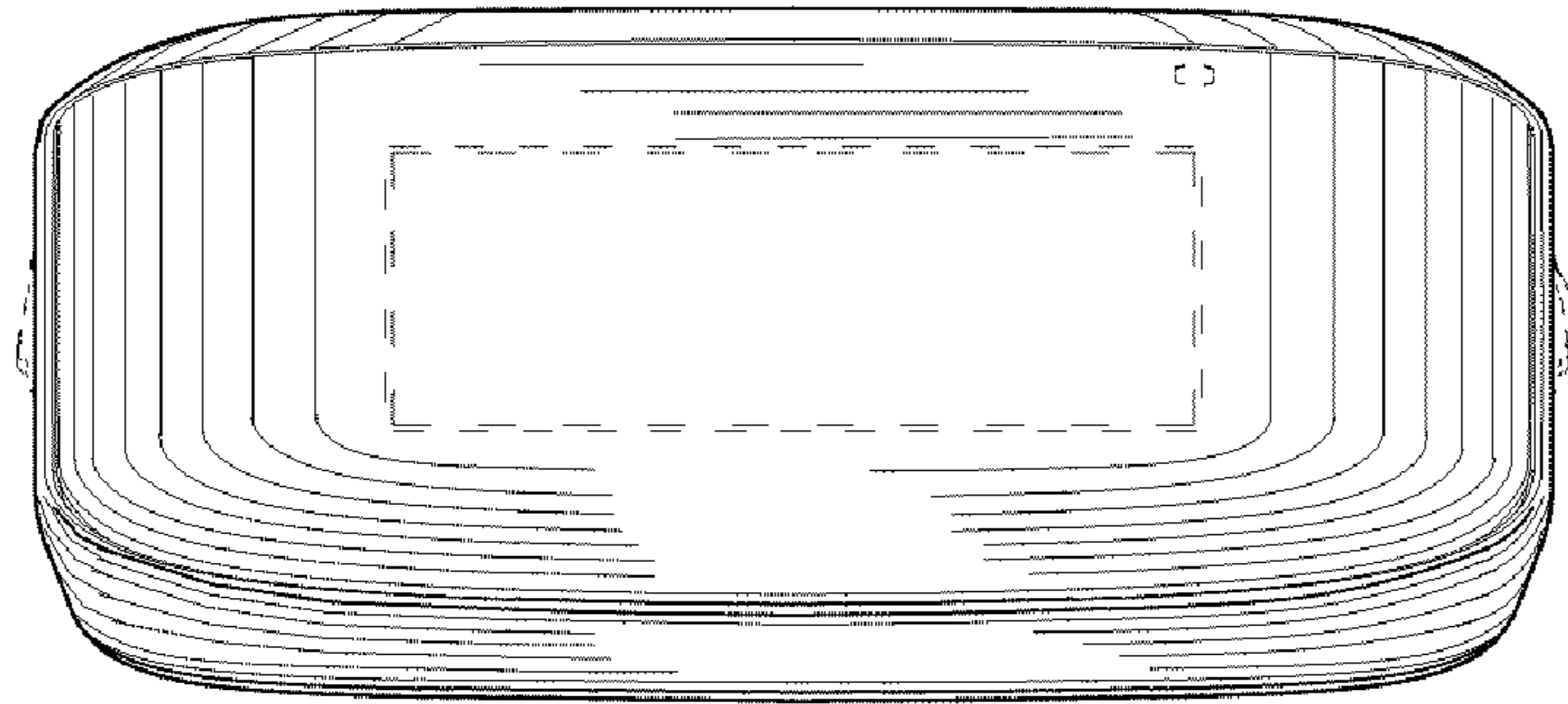


FIG. 7

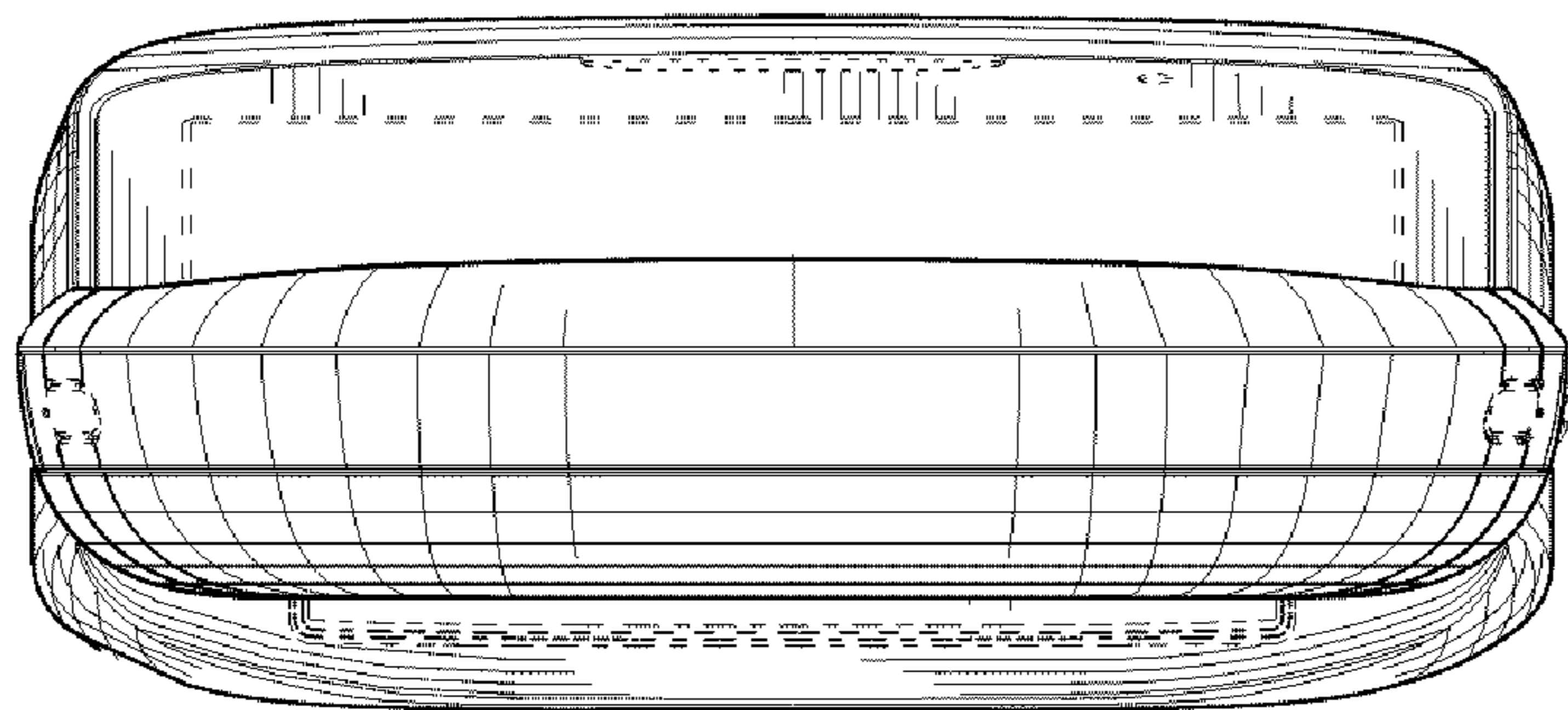


FIG. 8