



US00D648688S

(12) **United States Design Patent**
Heng et al.

(10) **Patent No.:** **US D648,688 S**
(45) **Date of Patent:** **** Nov. 15, 2011**

(54) **SOCKET HOUSING**

(75) Inventors: **Stephen Heng**, Los Gatos, CA (US); **Ali Hassanzadeh**, Fremont, CA (US); **Mahesh Hardikar**, San Jose, CA (US); **Sanjay Dandia**, San Jose, CA (US)

(73) Assignee: **Advanced Micro Devices, Inc.**, Sunnyvale, CA (US)

(**) Term: **14 Years**

(21) Appl. No.: **29/384,169**

(22) Filed: **Jan. 27, 2011**

Related U.S. Application Data

(62) Division of application No. 29/358,473, filed on Mar. 26, 2010, now Pat. No. Des. 633,880.

(51) **LOC (9) Cl.** **13-03**

(52) **U.S. Cl.** **D13/182**

(58) **Field of Classification Search** D13/182;
439/70, 71, 72, 73, 74, 330, 331, 620.2
See application file for complete search history.

(56) **References Cited**

U.S. PATENT DOCUMENTS

D288,803 S	3/1987	Capawana
D295,401 S	4/1988	Klees
4,918,513 A	4/1990	Kurose et al.
D313,686 S	1/1991	Vitek
5,486,771 A	1/1996	Volz et al.
D379,350 S	5/1997	Kerklaan
D407,382 S	3/1999	Acciaioli et al.
6,746,253 B1	6/2004	Ma
6,805,562 B2	10/2004	Liao et al.
7,014,488 B2	3/2006	Stone
7,291,022 B2	11/2007	Toda et al.
7,367,815 B2	5/2008	Ma
7,374,446 B2	5/2008	Toda et al.
7,396,248 B2	7/2008	Zhang

7,435,103 B2	10/2008	Ma
7,497,743 B2	3/2009	Tsai
7,527,503 B1	5/2009	Polnyi
7,666,020 B2	2/2010	Zhang et al.
7,708,579 B2	5/2010	Yeh
7,753,703 B2	7/2010	Liao et al.
7,798,856 B2	9/2010	Liao
D633,877 S	3/2011	Heng et al.

(Continued)

OTHER PUBLICATIONS

Picture of Socket F design; from www.commons.wikimedia.org; Mar. 25, 2010.

(Continued)

Primary Examiner — Selina Sikder

(74) *Attorney, Agent, or Firm* — Vedder Price P.C.

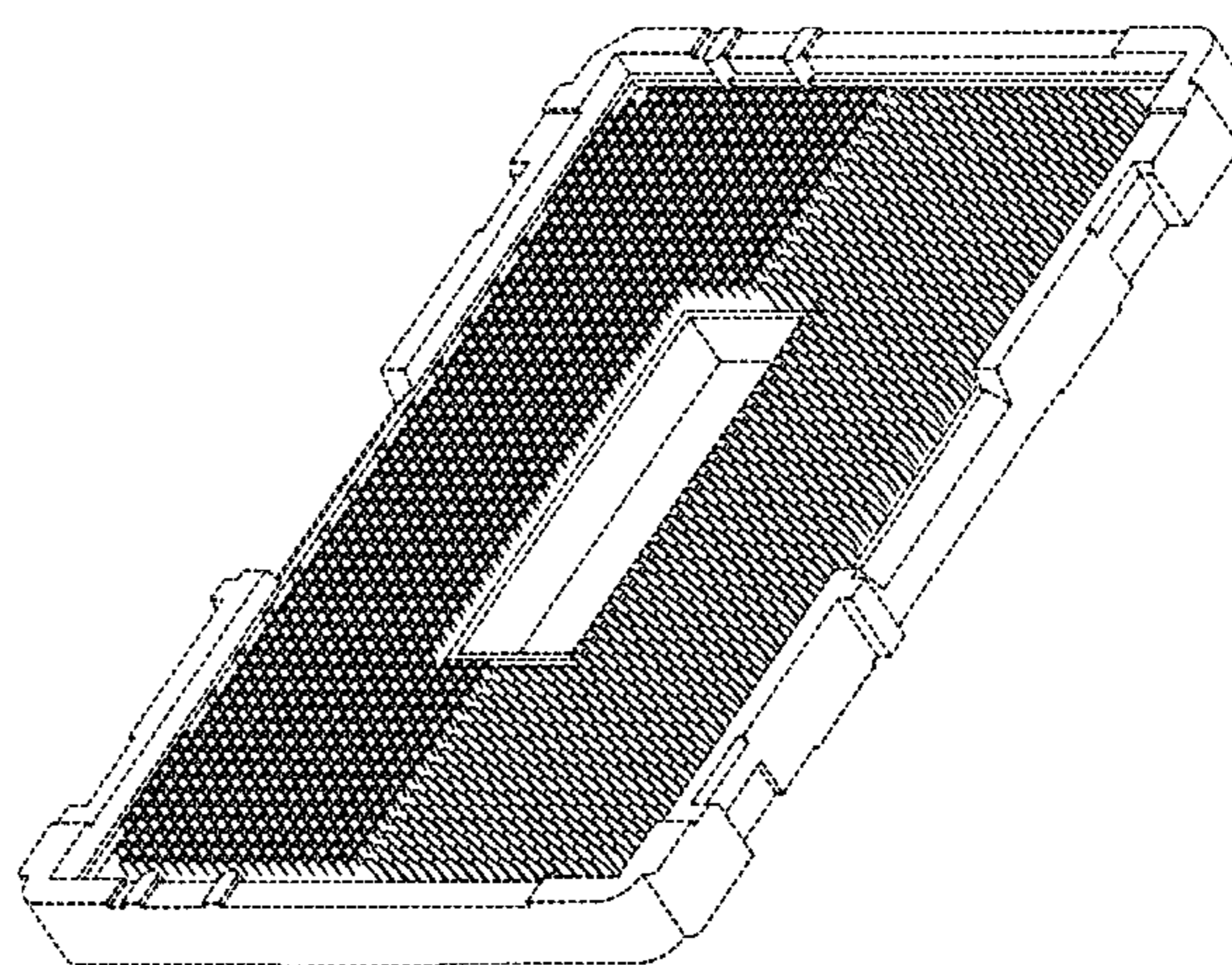
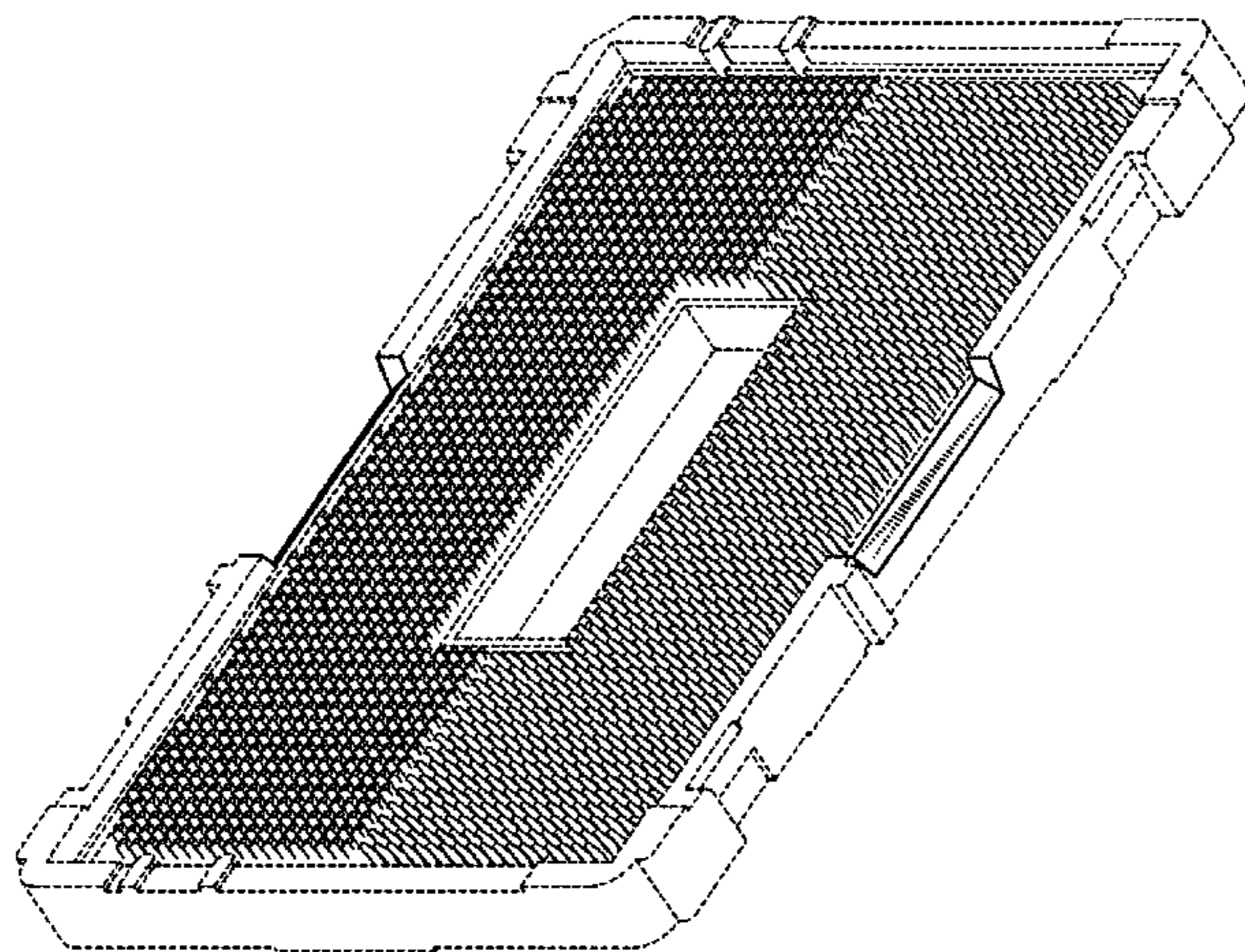
(57) **CLAIM**

The ornamental design for a socket housing, as shown and described.

DESCRIPTION

FIG. 1 is a first front perspective view of the socket housing; FIG. 2 is a first front view of the socket housing; FIG. 3 is a first top view of the socket housing; FIG. 4 is a first bottom view of the socket housing; FIG. 5 is a first left side view of the socket housing; FIG. 6 is a first right side view of the socket housing; FIG. 7 is a first rear view of the socket housing; FIG. 8 is a second front perspective view of the socket housing; FIG. 9 is a second front view of the socket housing; FIG. 10 is a second top view of the socket housing; FIG. 11 is a second bottom view of the socket housing; FIG. 12 is a second left side view of the socket housing; FIG. 13 is a second right side view of the socket housing; and, FIG. 14 is a second rear view of the socket housing.

1 Claim, 6 Drawing Sheets



US D648,688 S

Page 2

U.S. PATENT DOCUMENTS

D633,878 S 3/2011 Heng et al.
D633,879 S 3/2011 Heng et al.
D633,880 S 3/2011 Heng et al.
D641,720 S * 7/2011 Heng et al. D13/182
2005/0233629 A1 10/2005 Tsai
2005/0287837 A1 12/2005 Trobough
2006/0199413 A1 9/2006 Ju
2007/0173081 A1 7/2007 Yu et al.
2008/0242138 A1 10/2008 Chang
2010/0062623 A1 3/2010 Chen et al.

OTHER PUBLICATIONS

Advanced Micro Devices; AMD Socket F (1207) Design Specification; Publication No. 31700; Revision 1.03; Mar. 2006.

U.S. Appl. No. 29/358,468; filed Mar. 26, 2010.

U.S. Appl. No. 29/358,472, filed Mar. 26, 2010.

* cited by examiner

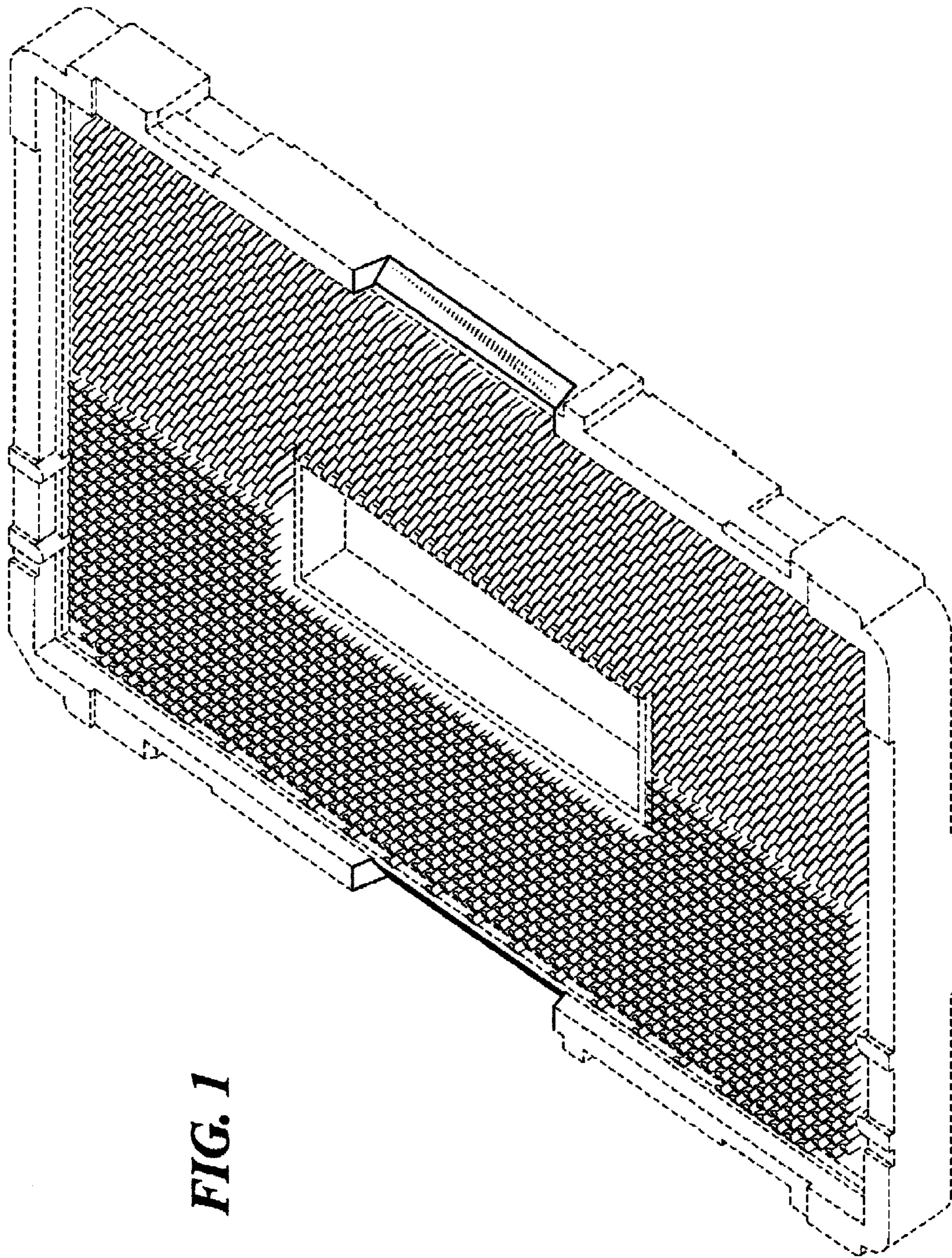


FIG. 1

FIG. 2

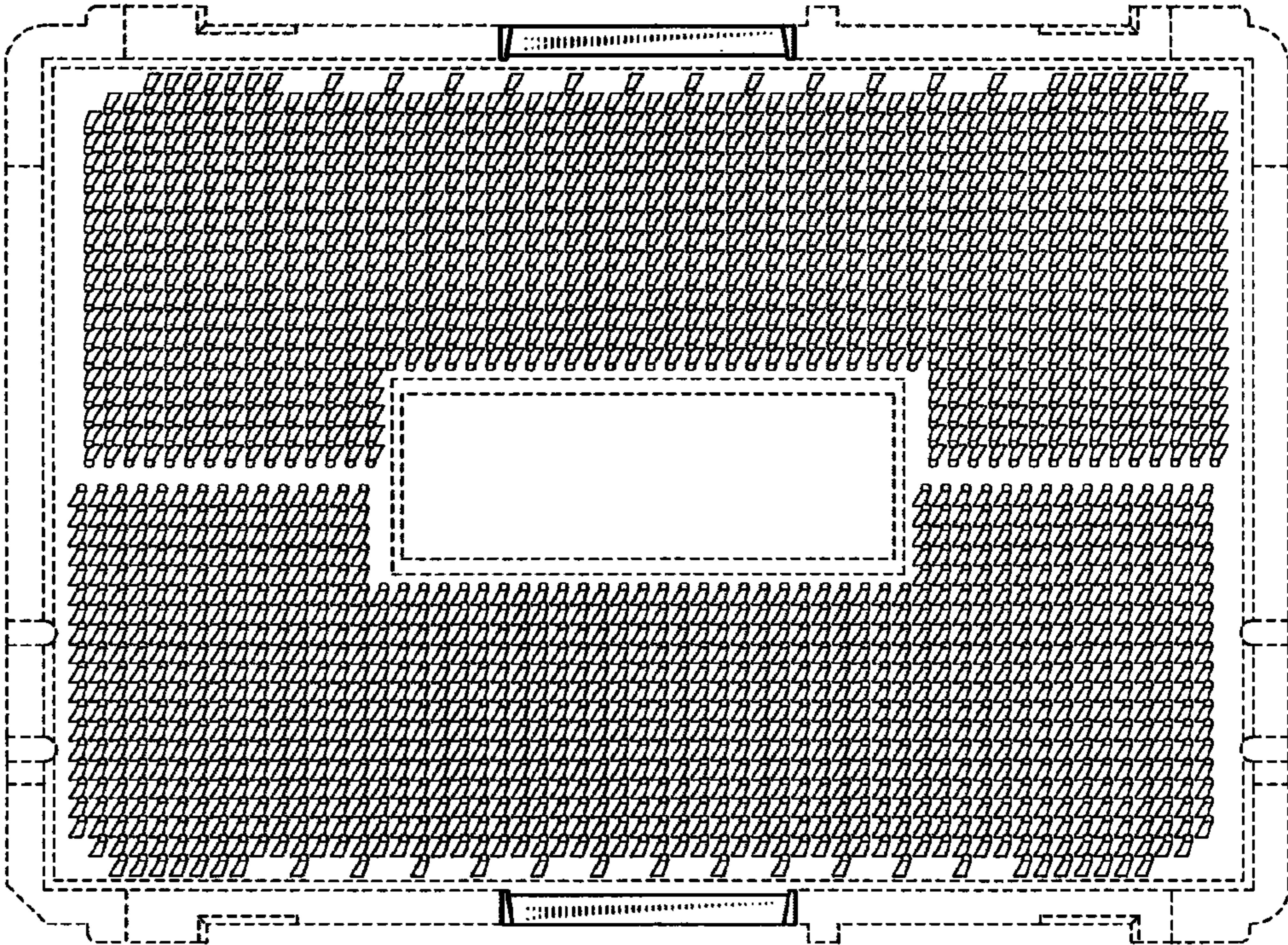


FIG. 3

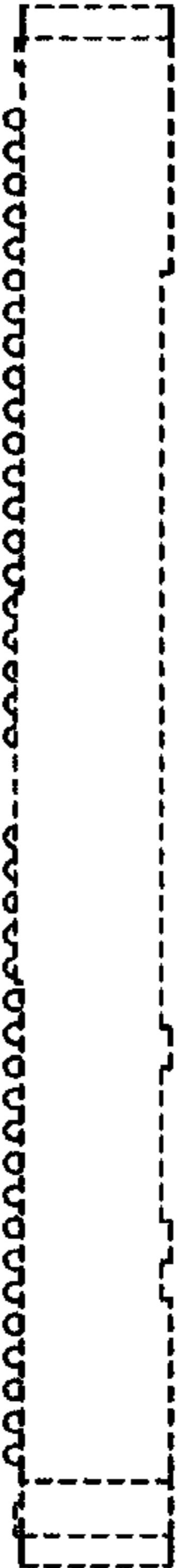


FIG. 4

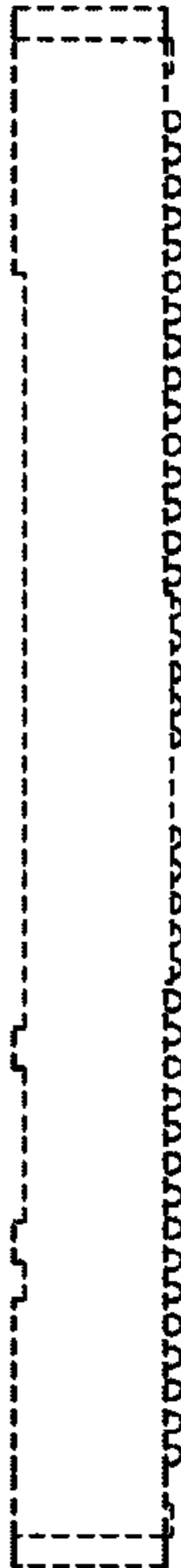


FIG. 7

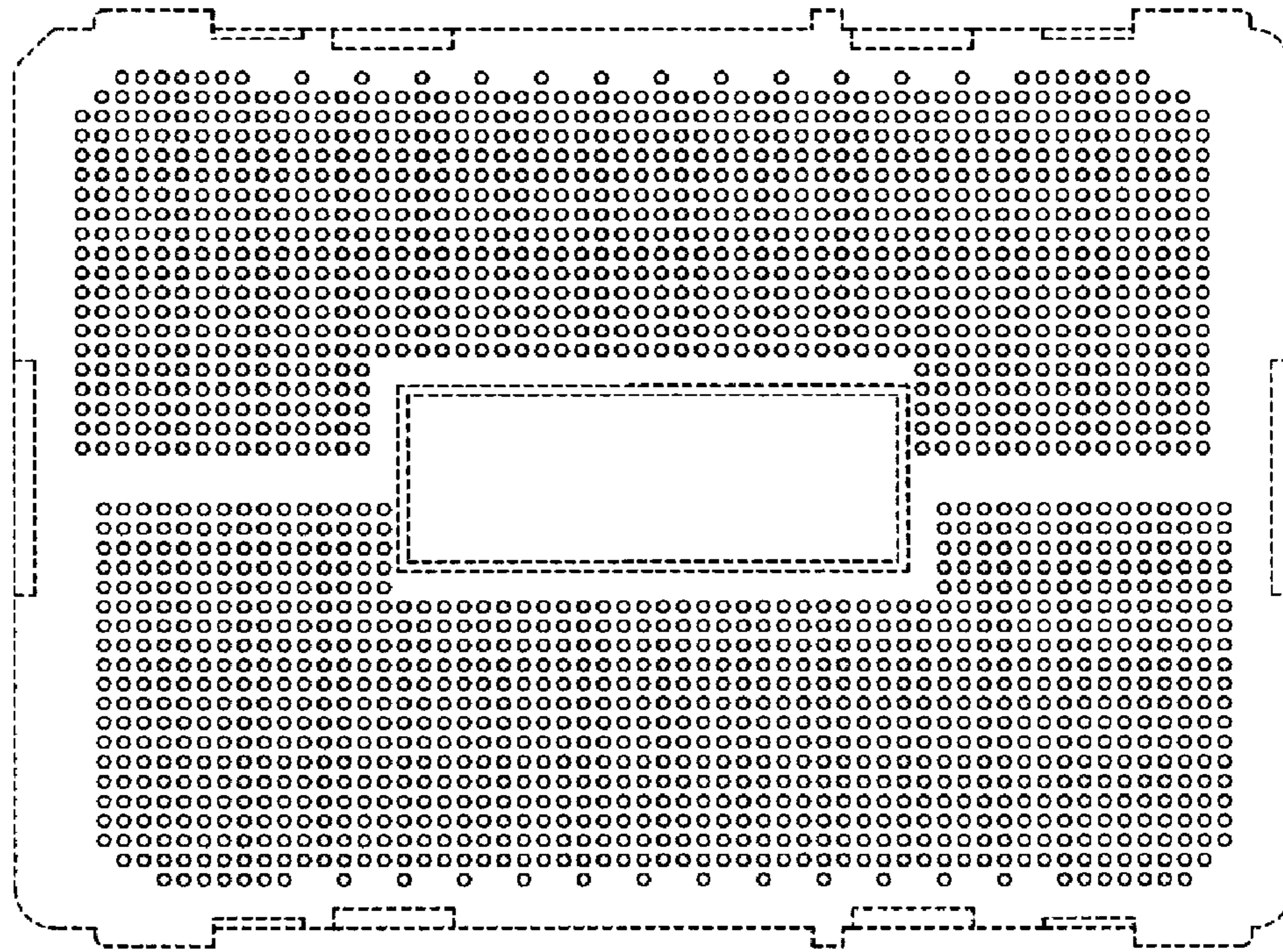


FIG. 6

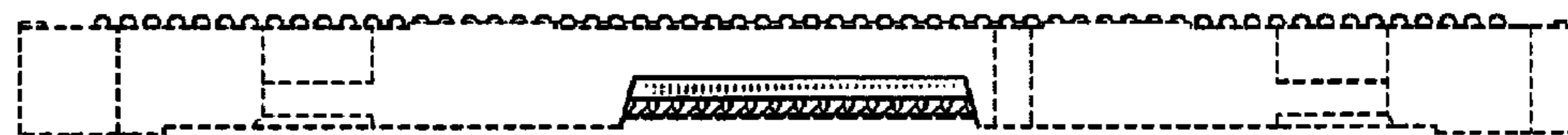


FIG. 5



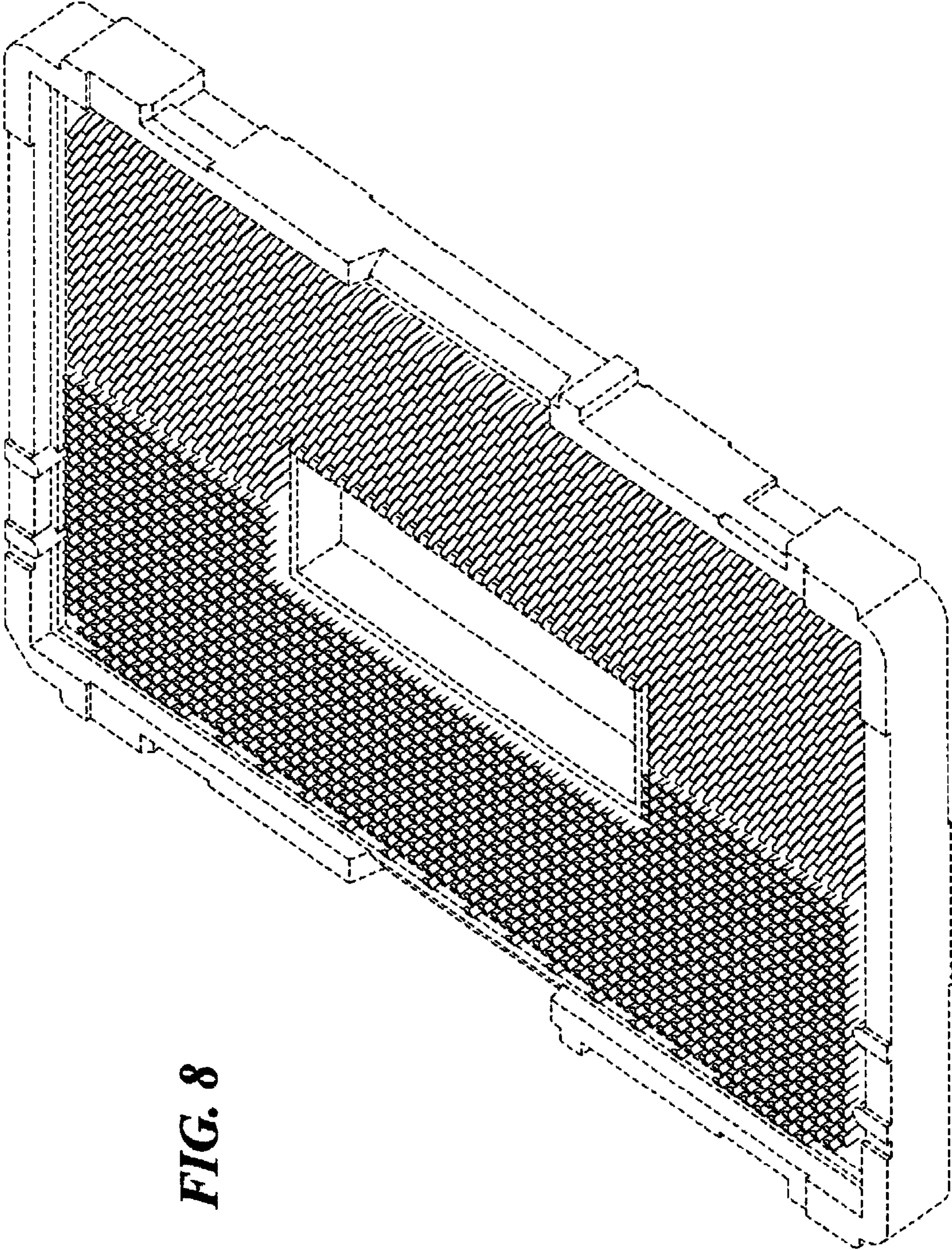


FIG. 8

FIG. 9

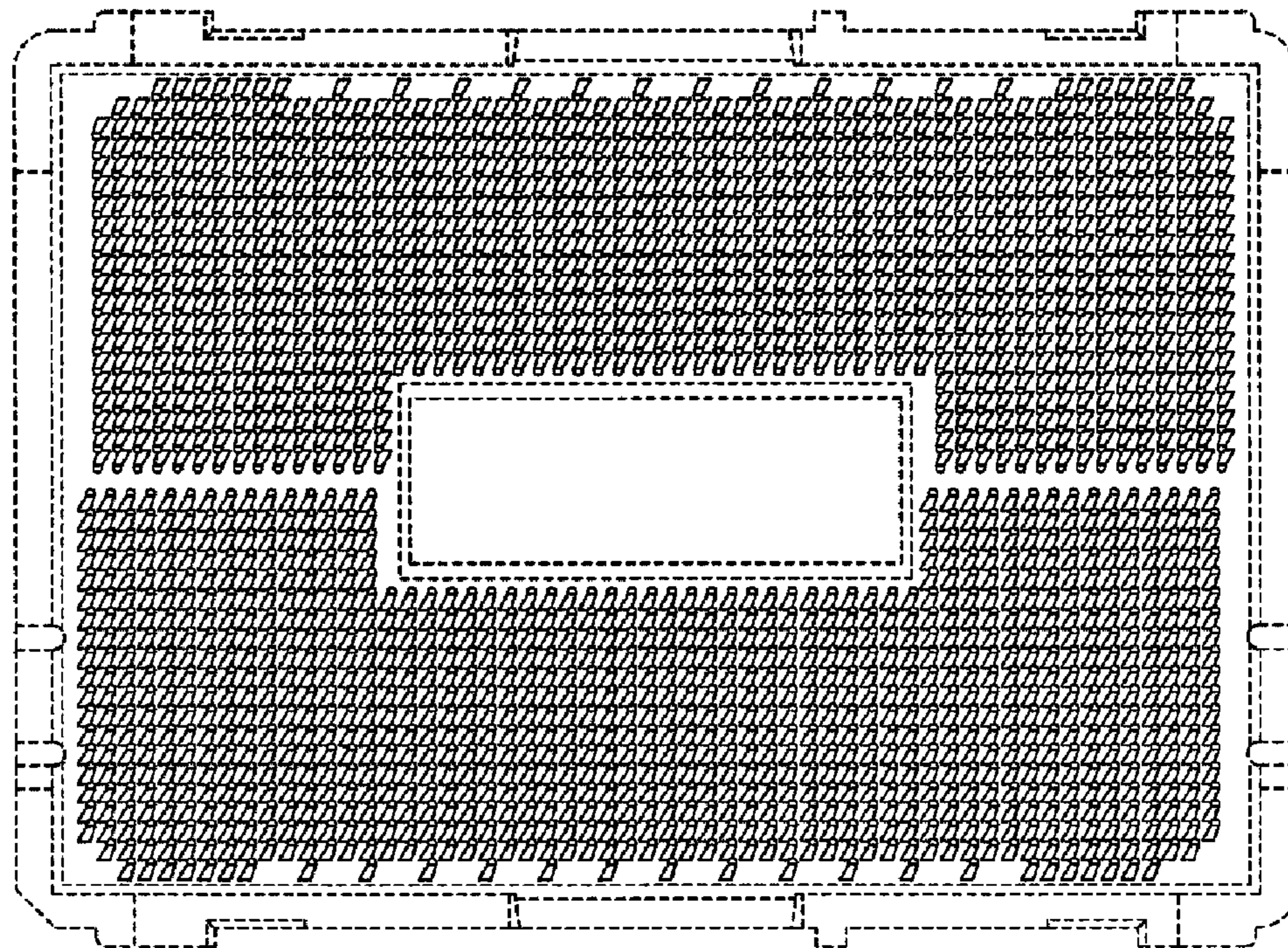


FIG. 10

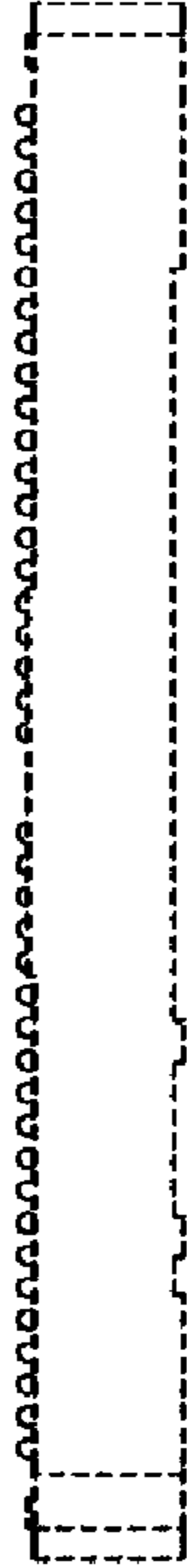


FIG. 11

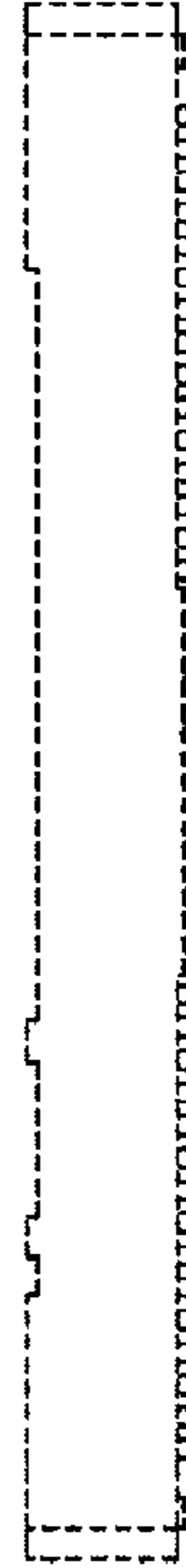


FIG. 14

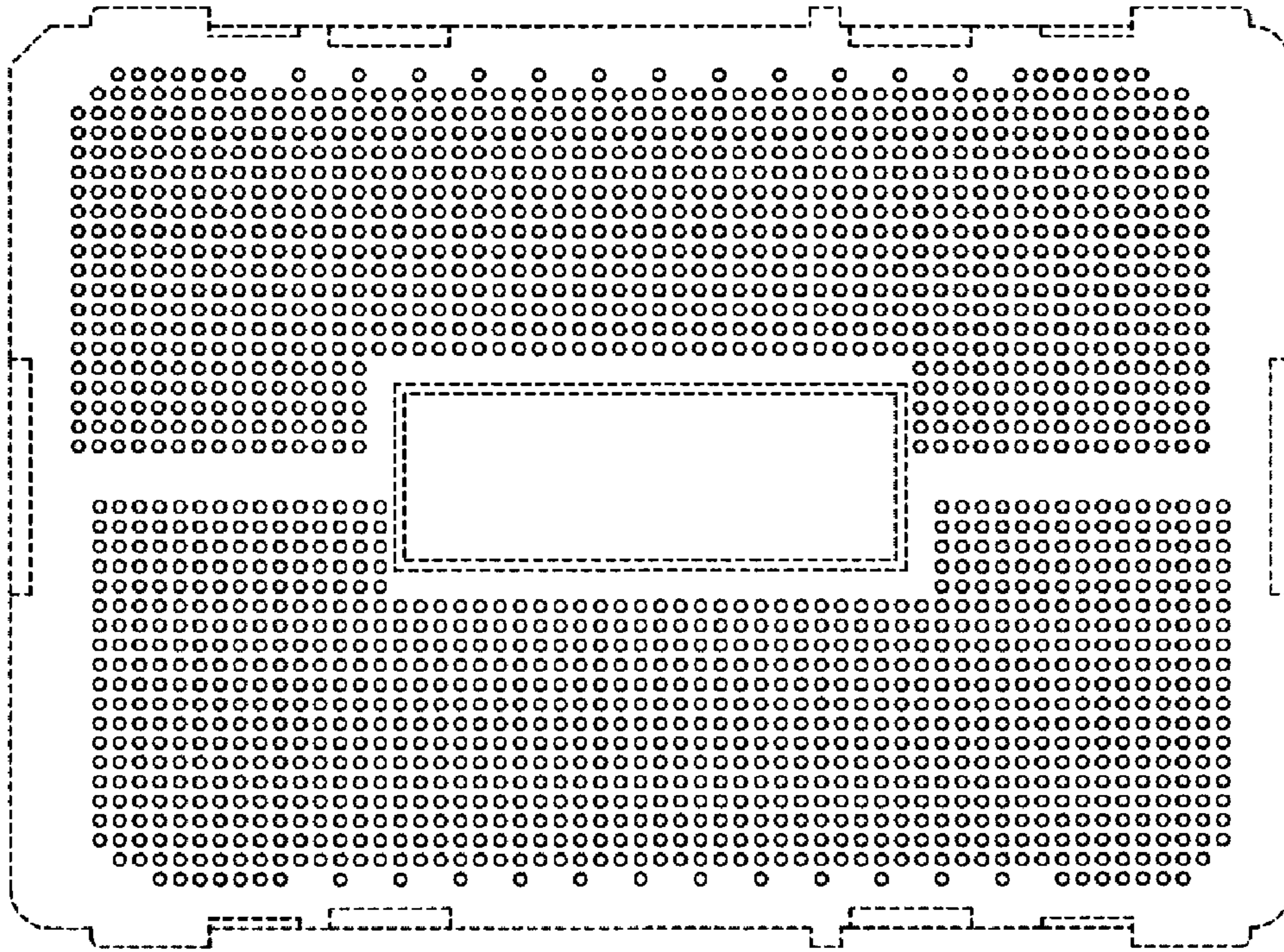


FIG. 13

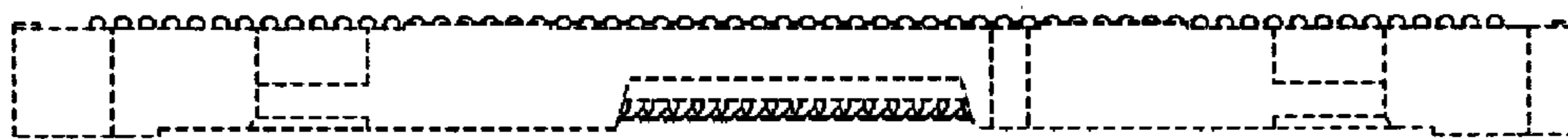


FIG. 12

