



US00D648678S

(12) **United States Design Patent**  
**Thornton**

(10) **Patent No.:** **US D648,678 S**

(45) **Date of Patent:** **\*\* Nov. 15, 2011**

(54) **ELECTRICAL PLUG ADAPTER**

(76) Inventor: **Jens Eystein Thornton**, Quincy, MA  
(US)

(\*\*) Term: **14 Years**

(21) Appl. No.: **29/392,742**

(22) Filed: **May 26, 2011**

**Related U.S. Application Data**

(62) Division of application No. 29/331,301, filed on Jan. 23, 2009, now Pat. No. Des. 639,248.

(51) **LOC (9) Cl.** ..... **13-02**

(52) **U.S. Cl.** ..... **D13/138.2**

(58) **Field of Classification Search** ..... D13/133,  
D13/137.1-139.8, 154, 156, 184, 199; D14/43;  
174/53-61, 66; 439/105-107, 535, 650-655,  
439/682-689, 692-695

See application file for complete search history.

5,409,397 A	4/1995	Karman	
D360,401 S *	7/1995	Chen	D13/138.1
5,752,850 A *	5/1998	Ziegler	439/484
D446,502 S	8/2001	Wen	
7,021,949 B1	4/2006	Boers	
D533,836 S	12/2006	Young	
D533,837 S	12/2006	Wang	
D538,746 S *	3/2007	Young	D13/138.2
D586,296 S	2/2009	Liu	
D592,139 S *	5/2009	Wu	D13/138.2
D597,486 S *	8/2009	Wu	D13/137.2
D614,571 S *	4/2010	Wu	D13/138.2
D635,515 S *	4/2011	Atwell et al.	D13/138.2
D638,359 S *	5/2011	Atwell et al.	D13/138.2
D639,248 S	6/2011	Thornton	

\* cited by examiner

*Primary Examiner* — Rosemary K Tarcza

(74) *Attorney, Agent, or Firm* — Seyfarth Shaw LLP; Joseph P. Quinn

(57) **CLAIM**

The ornamental design for an electrical plug adapter, as shown and described.

(56) **References Cited**

**U.S. PATENT DOCUMENTS**

1,714,763 A	5/1929	Boyson	
2,030,115 A	2/1936	Muldoon	
D148,105 S	12/1947	Gossard	
D155,149 S	9/1949	Gossard	
D155,150 S	9/1949	Gossard	
D155,151 S	9/1949	Gossard	
D155,502 S	10/1949	Gossard	
D159,196 S	7/1950	Englar	
3,160,947 A *	12/1964	Sunderlin	29/764
D242,464 S	11/1976	Acosta	
D355,162 S	2/1995	Karman	

**DESCRIPTION**

FIG. 1 is a perspective view of an electrical plug adapter showing the new design;  
FIG. 2 is a left side elevation view of an electrical plug adapter according to FIG. 1;  
FIG. 3 is a top perspective view of an electrical plug adapter according to FIG. 1; and,  
FIG. 4 is a bottom perspective view of an electrical plug adapter according to FIG. 1.

**1 Claim, 2 Drawing Sheets**

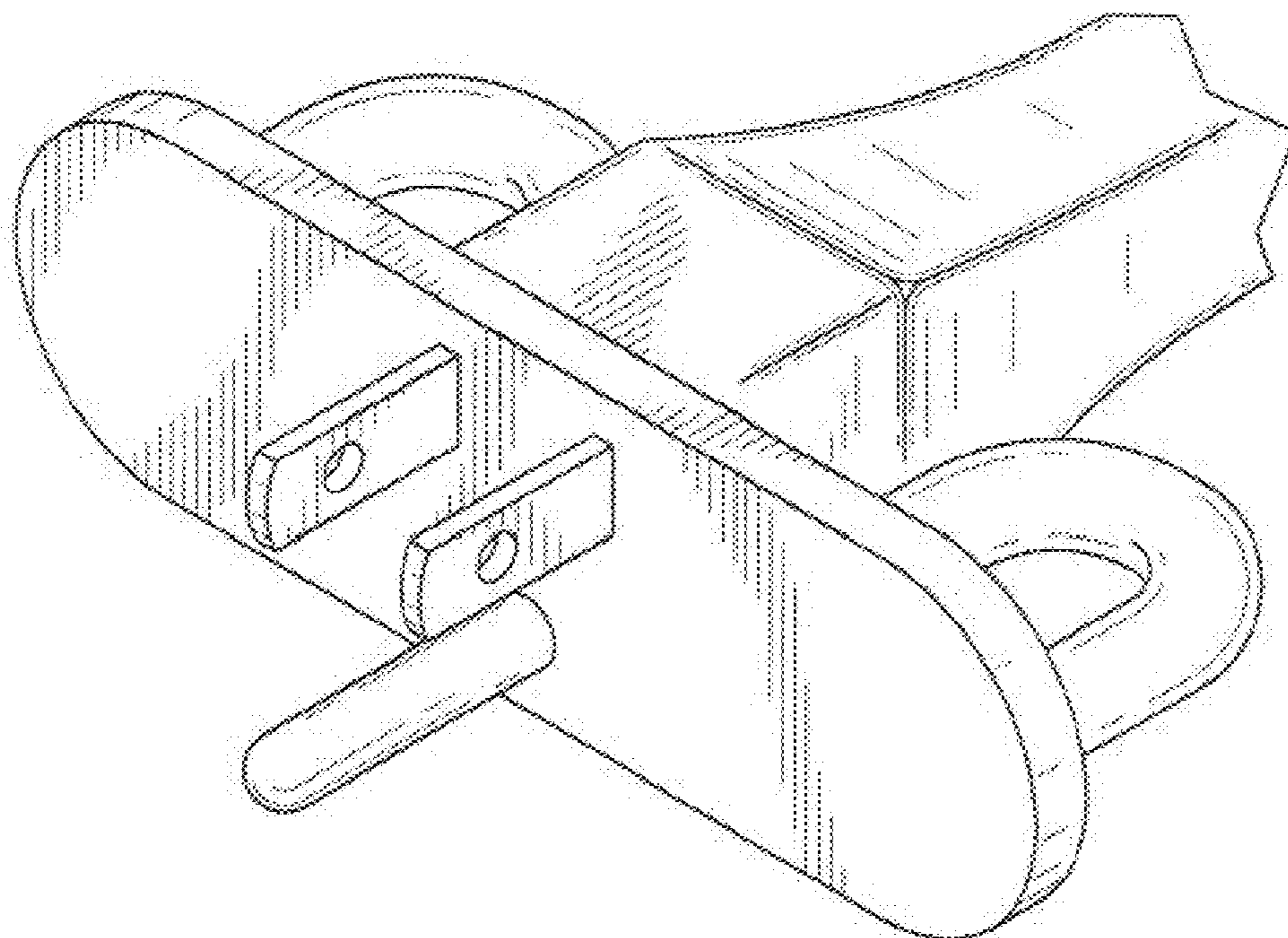


FIG. 1

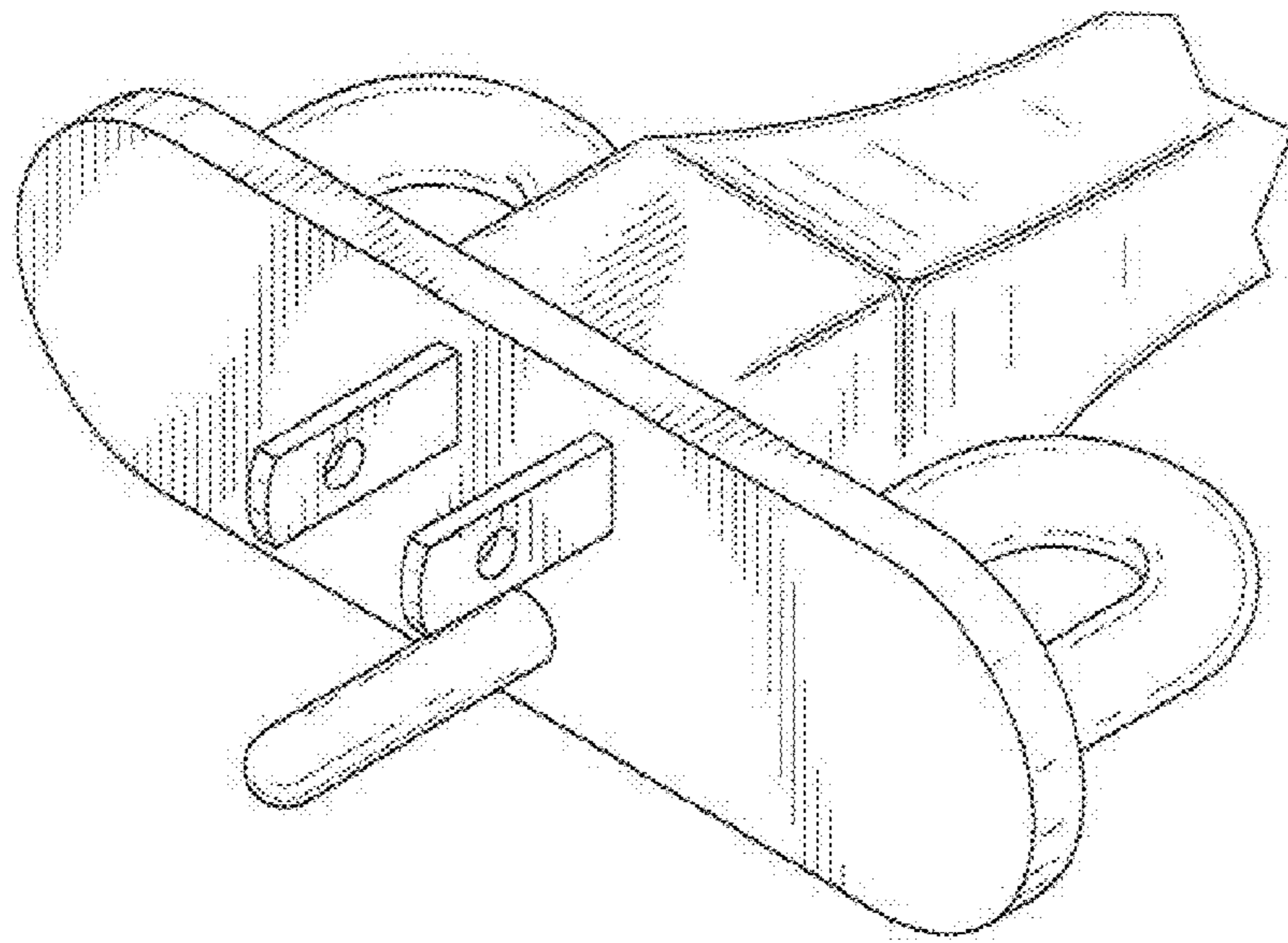


FIG. 2

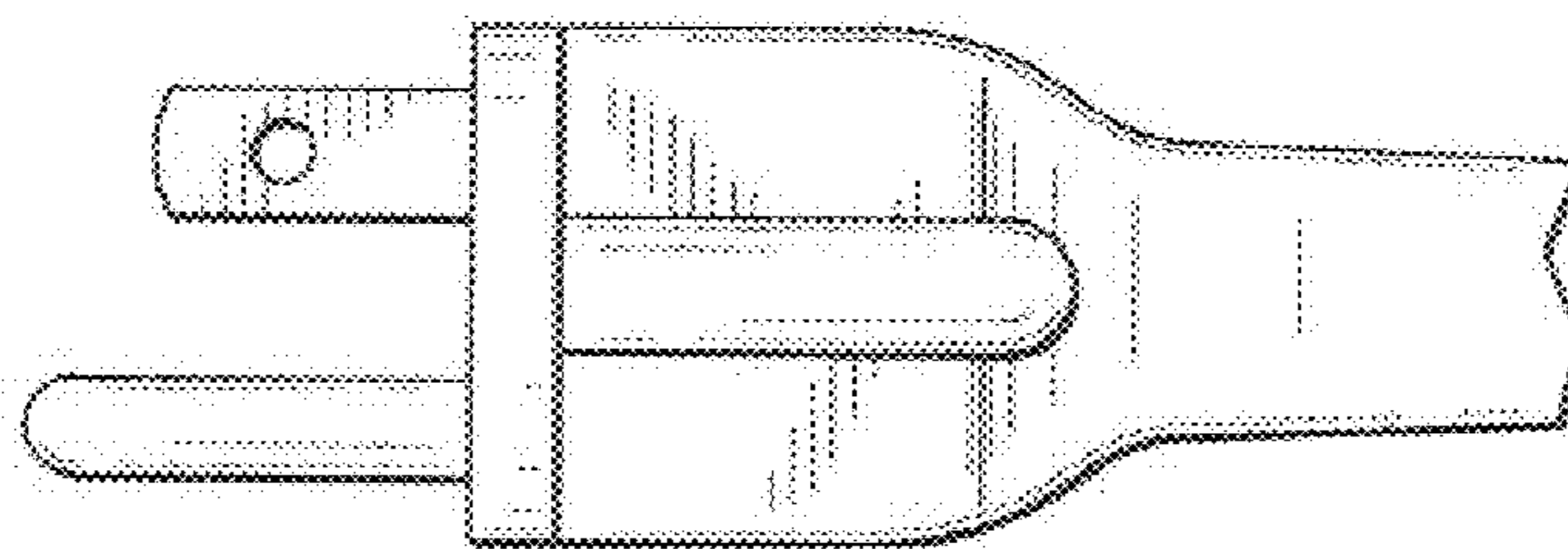


FIG. 3

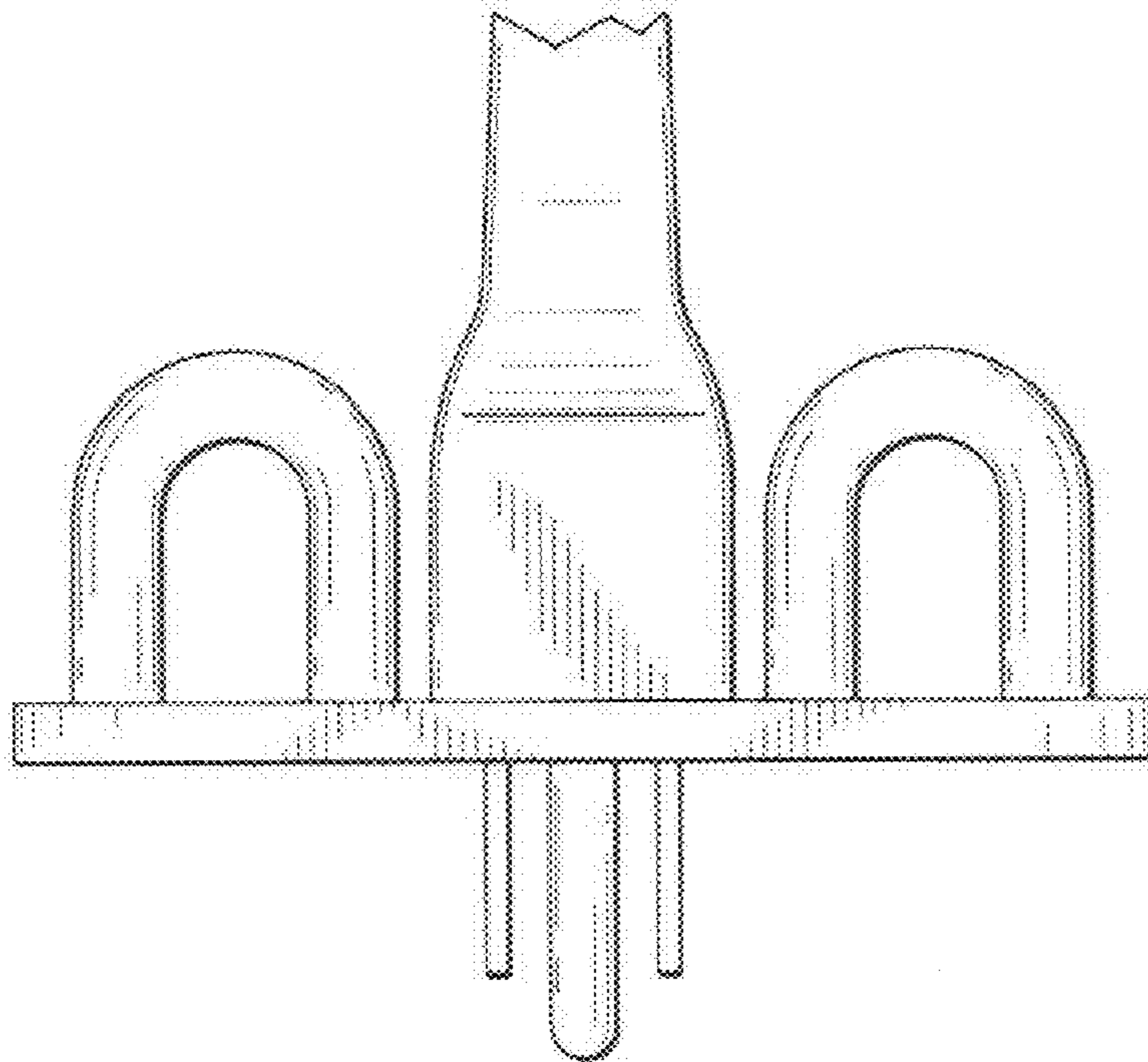


FIG. 4

