



US00D648677S

(12) **United States Design Patent**
Yang

(10) **Patent No.:** **US D648,677 S**

(45) **Date of Patent:** **** Nov. 15, 2011**

(54) **LAMPHOLDER CONNECTOR**

(75) Inventor: **Mei-Chuan Yang**, Taoyuan (TW)

(73) Assignee: **Proconn Technology Co., Ltd.**, Taoyuan Country (TW)

(**) Term: **14 Years**

(21) Appl. No.: **29/390,980**

(22) Filed: **May 2, 2011**

(51) **LOC (9) Cl.** **13-03**

(52) **U.S. Cl.** **D13/134**

(58) **Field of Classification Search** D13/133,
D13/134, 149; D26/138, 140; 362/217,
362/147, 223, 260; 439/241, 242, 243, 244,
439/239, 226, 240

See application file for complete search history.

(56) **References Cited**

U.S. PATENT DOCUMENTS

D302,421 S *	7/1989	Ichitsubo	D13/133
D377,005 S *	12/1996	Lin	D13/134
D462,054 S *	8/2002	Ma et al.	D13/133
D467,872 S *	12/2002	Yeh	D13/133
D575,231 S *	8/2008	Ho et al.	D13/133
D575,739 S *	8/2008	Ho et al.	D13/133
D575,740 S *	8/2008	Ho et al.	D13/133
D583,760 S *	12/2008	Ohmori	D13/134

D591,237 S *	4/2009	Ohmori	D13/134
D631,841 S *	2/2011	Urano	D13/134
D631,842 S *	2/2011	Sun et al.	D13/147

* cited by examiner

Primary Examiner — Thomas Johannes

(74) *Attorney, Agent, or Firm* — WPAT, P.C.; Anthony King

(57) **CLAIM**

The ornamental design for a lampholder connector, as shown and described.

DESCRIPTION

FIG. 1 is a perspective view of a lampholder connector showing my new design;

FIG. 2 is a front elevational view thereof;

FIG. 3 is a rear elevational view thereof;

FIG. 4 is a left side elevational view thereof;

FIG. 5 is a right side elevational view thereof;

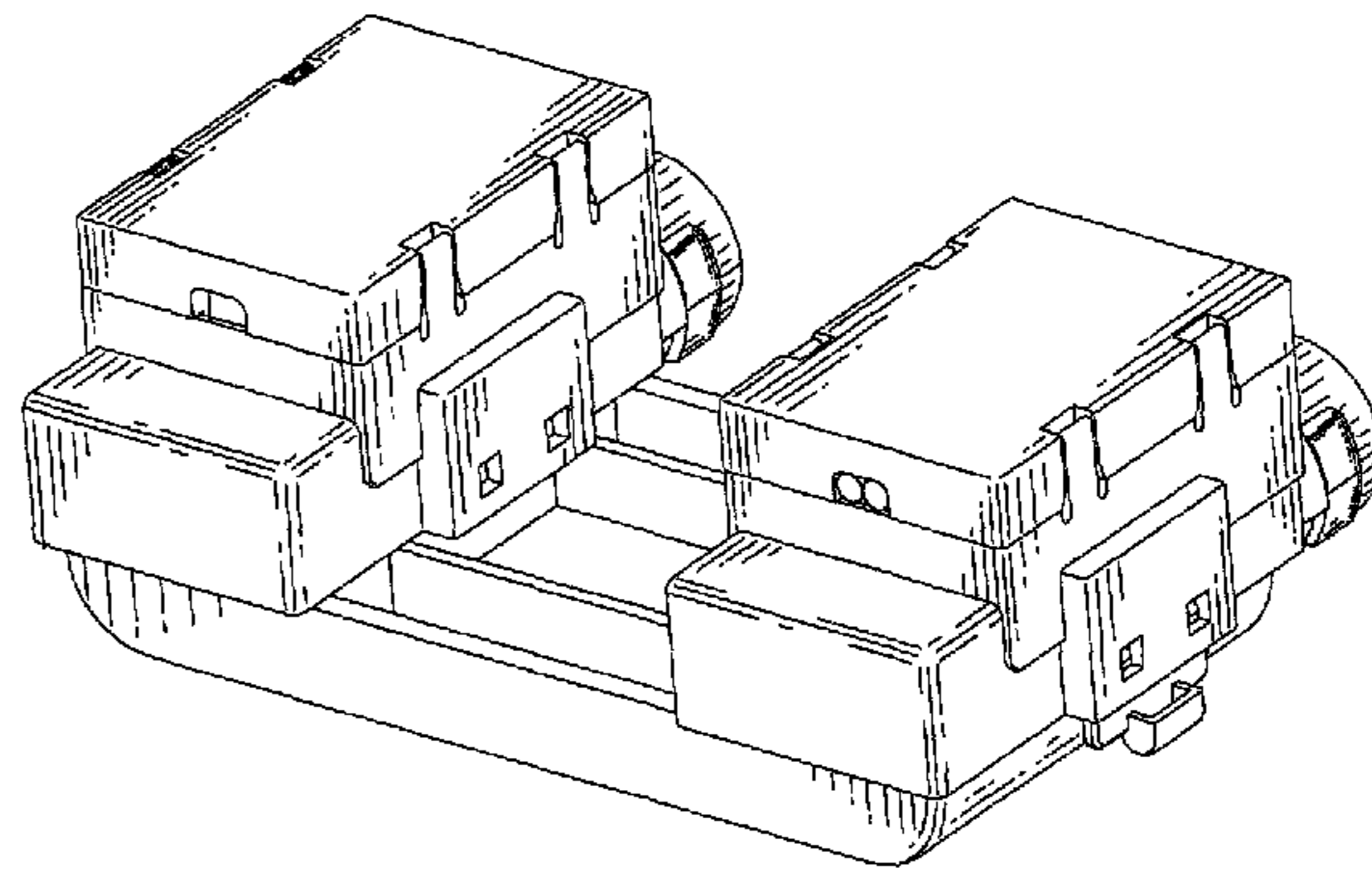
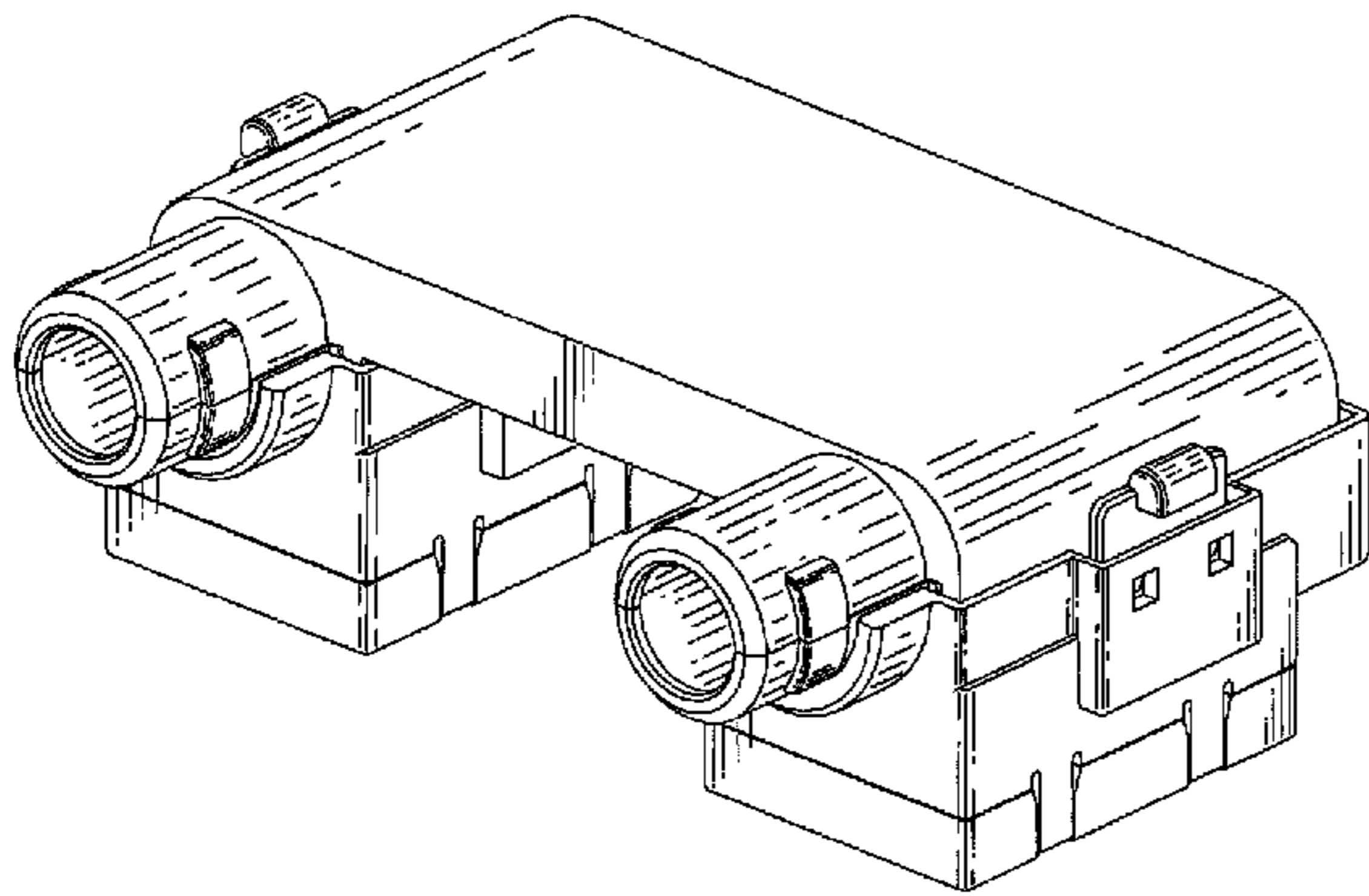
FIG. 6 is a top plan view thereof;

FIG. 7 is a bottom plan view thereof; and,

FIG. 8 is another perspective view of the lampholder connector showing our new design.

The broken line portion of the figure drawings is included to show unclaimed subject matter only and forms no part of the claimed design.

1 Claim, 8 Drawing Sheets



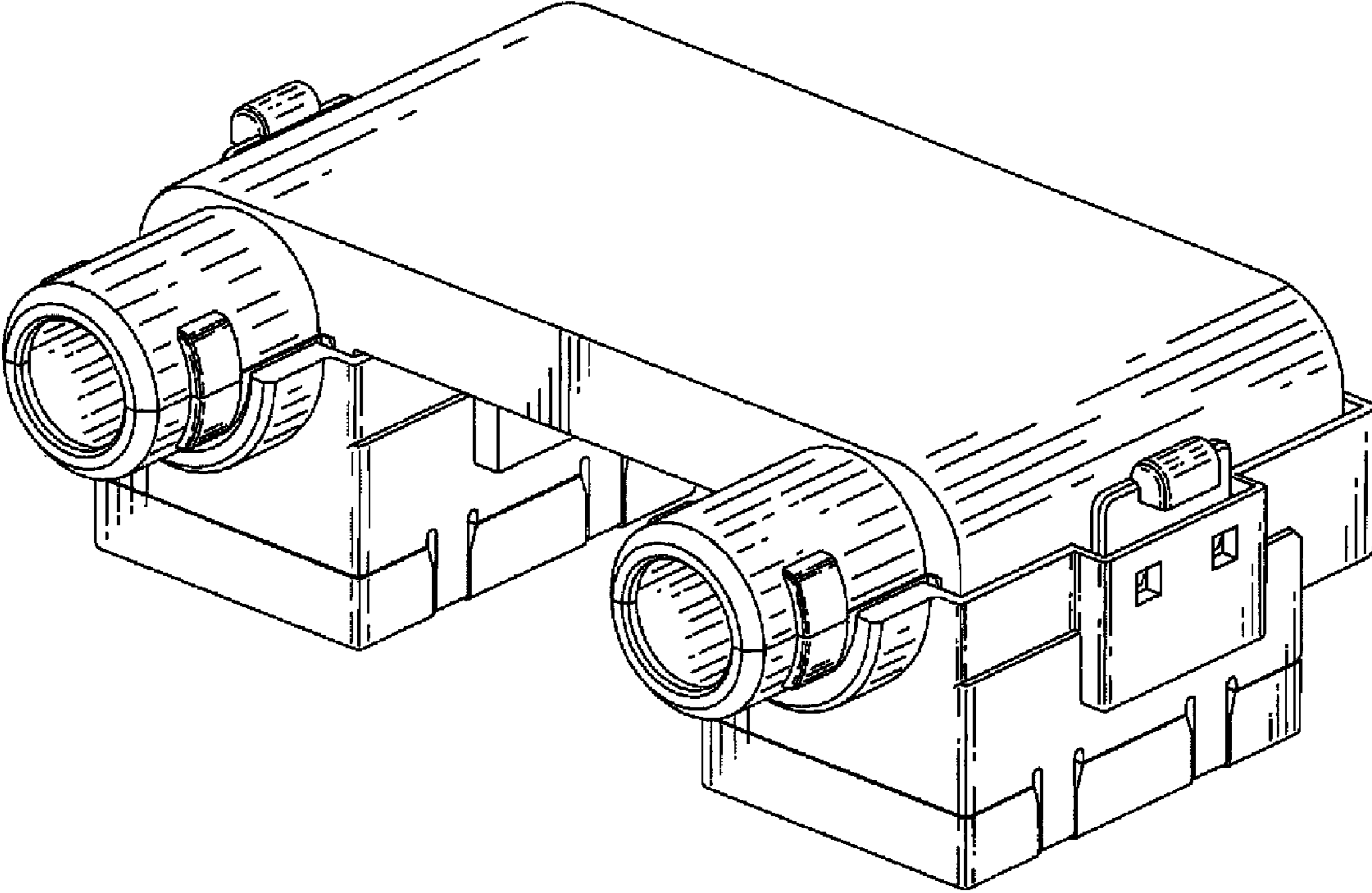


FIG. 1

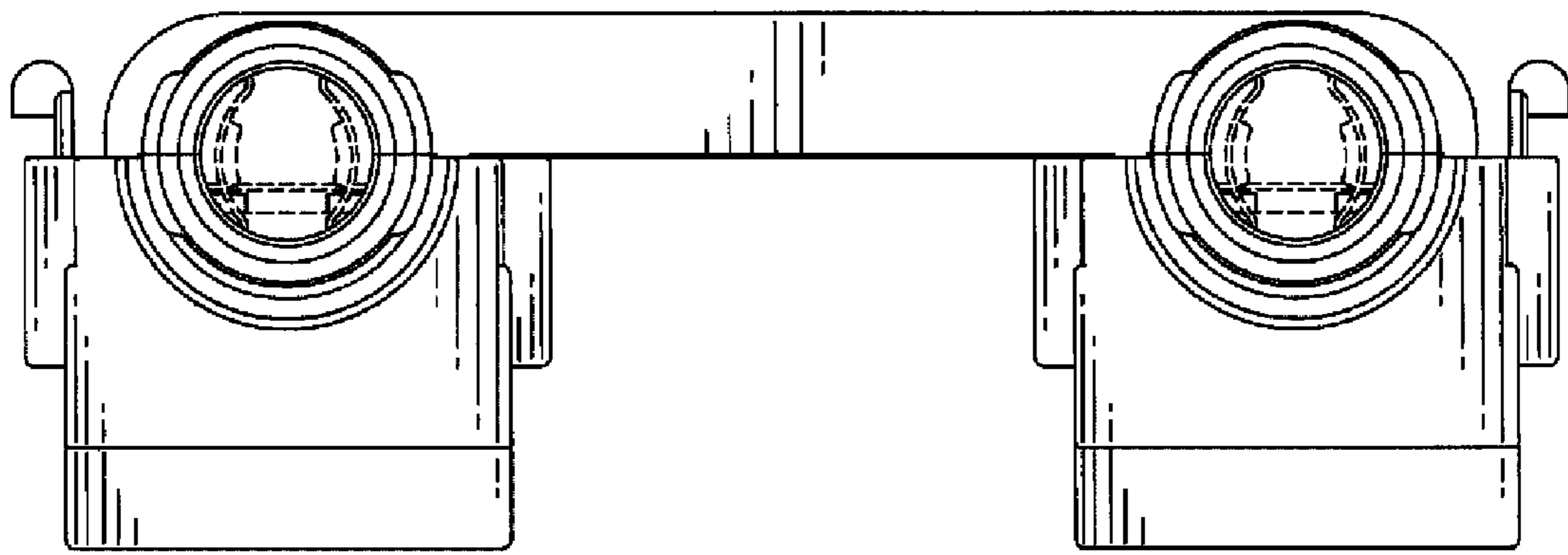


FIG. 2

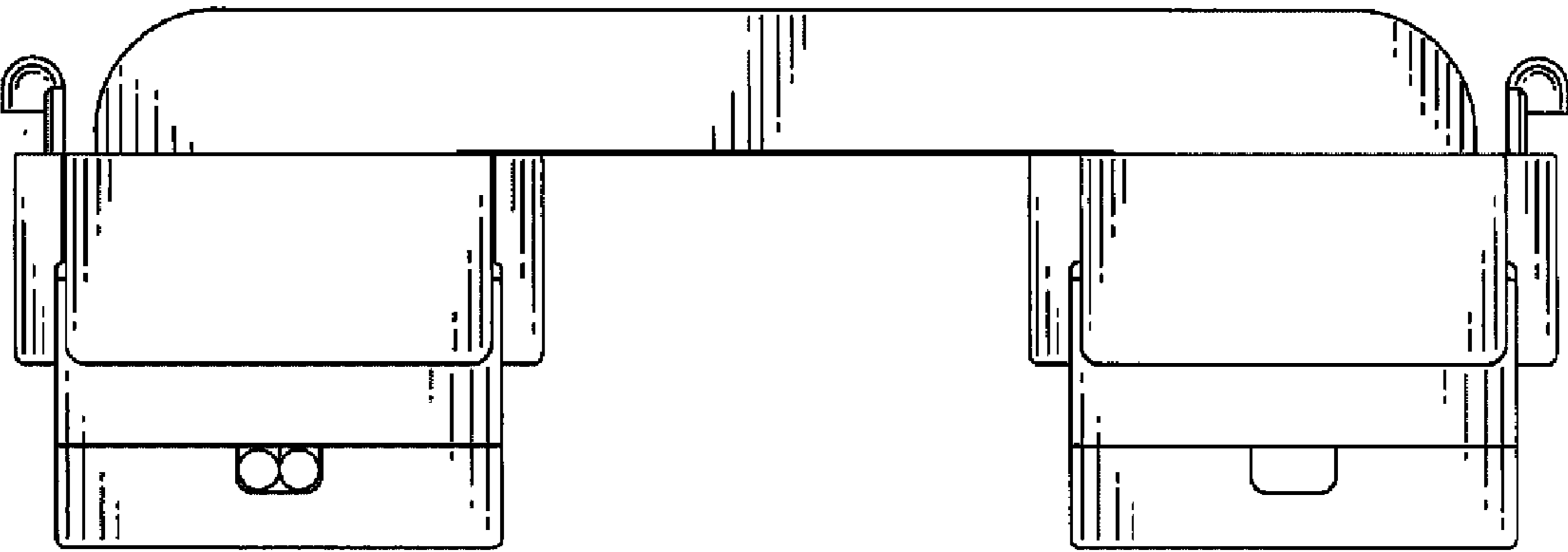


FIG. 3

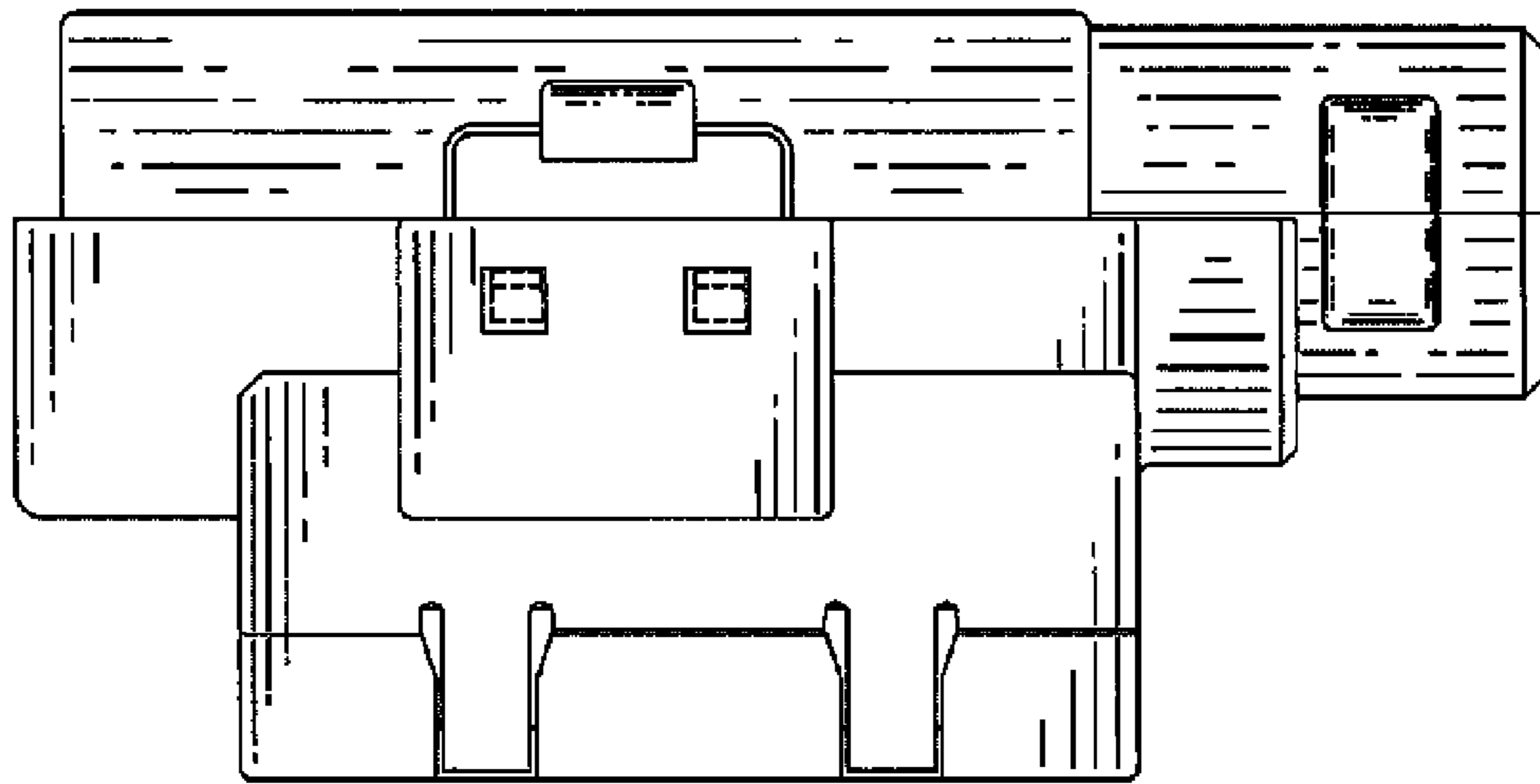


FIG. 4

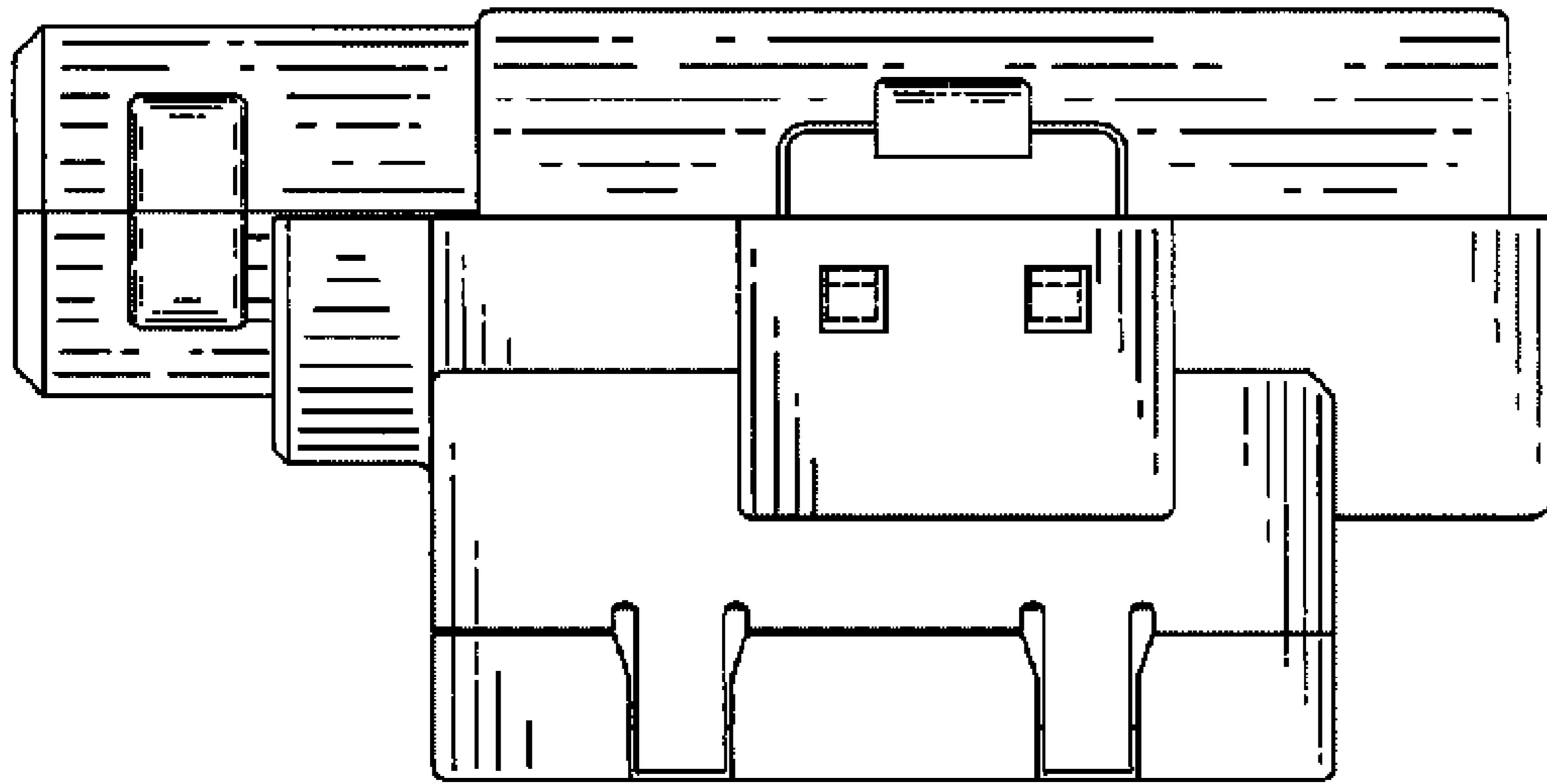


FIG. 5

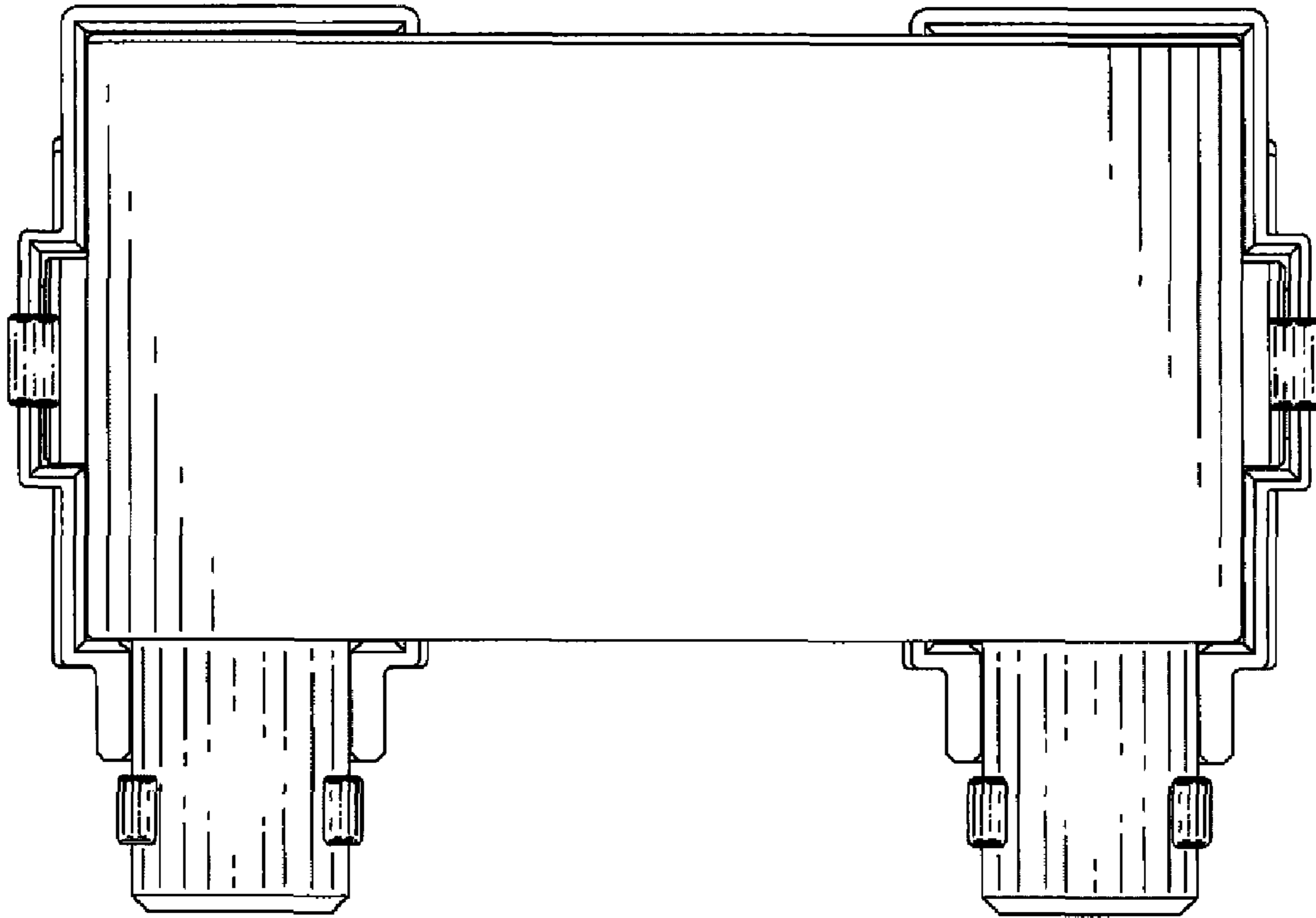


FIG. 6

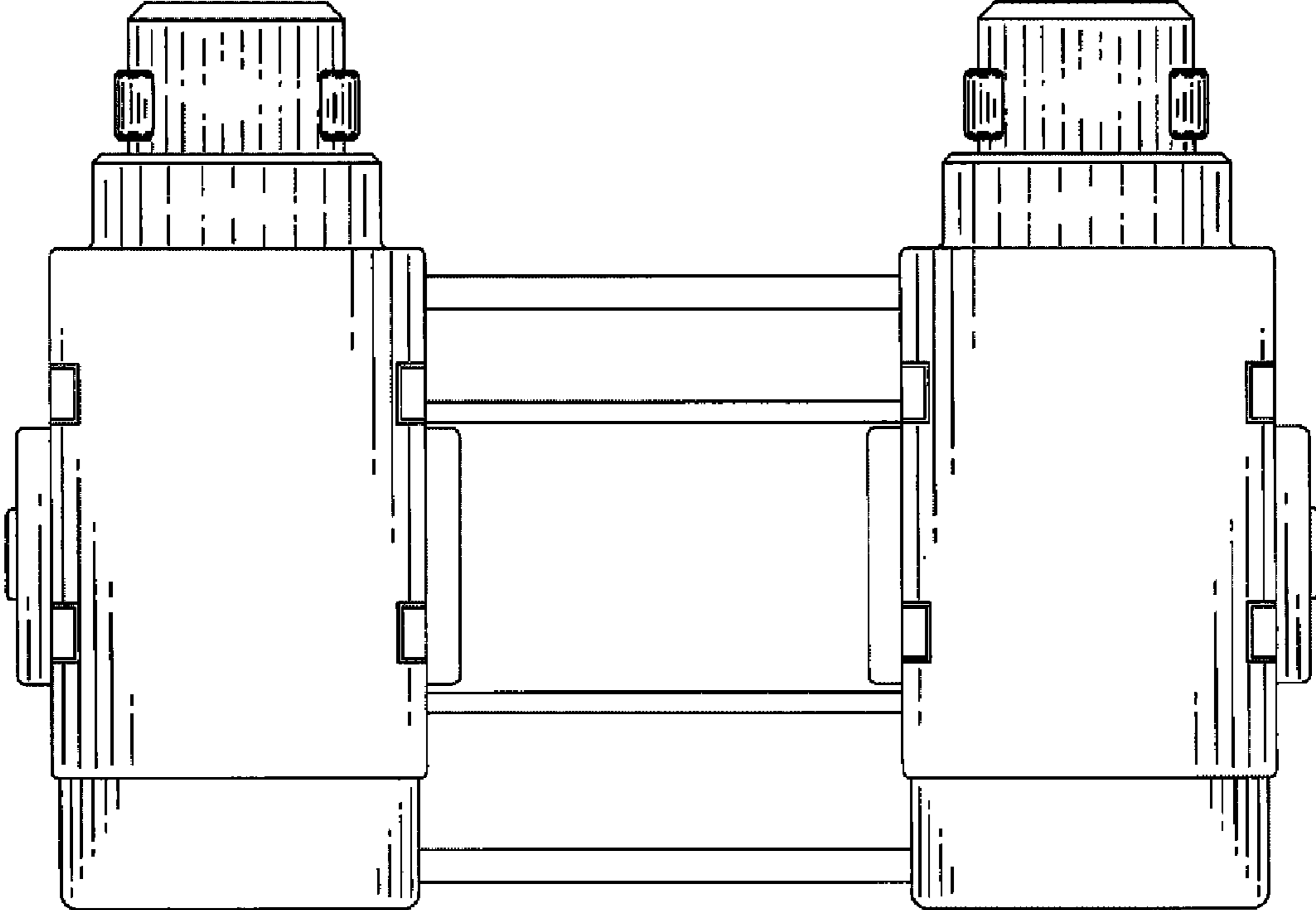


FIG. 7

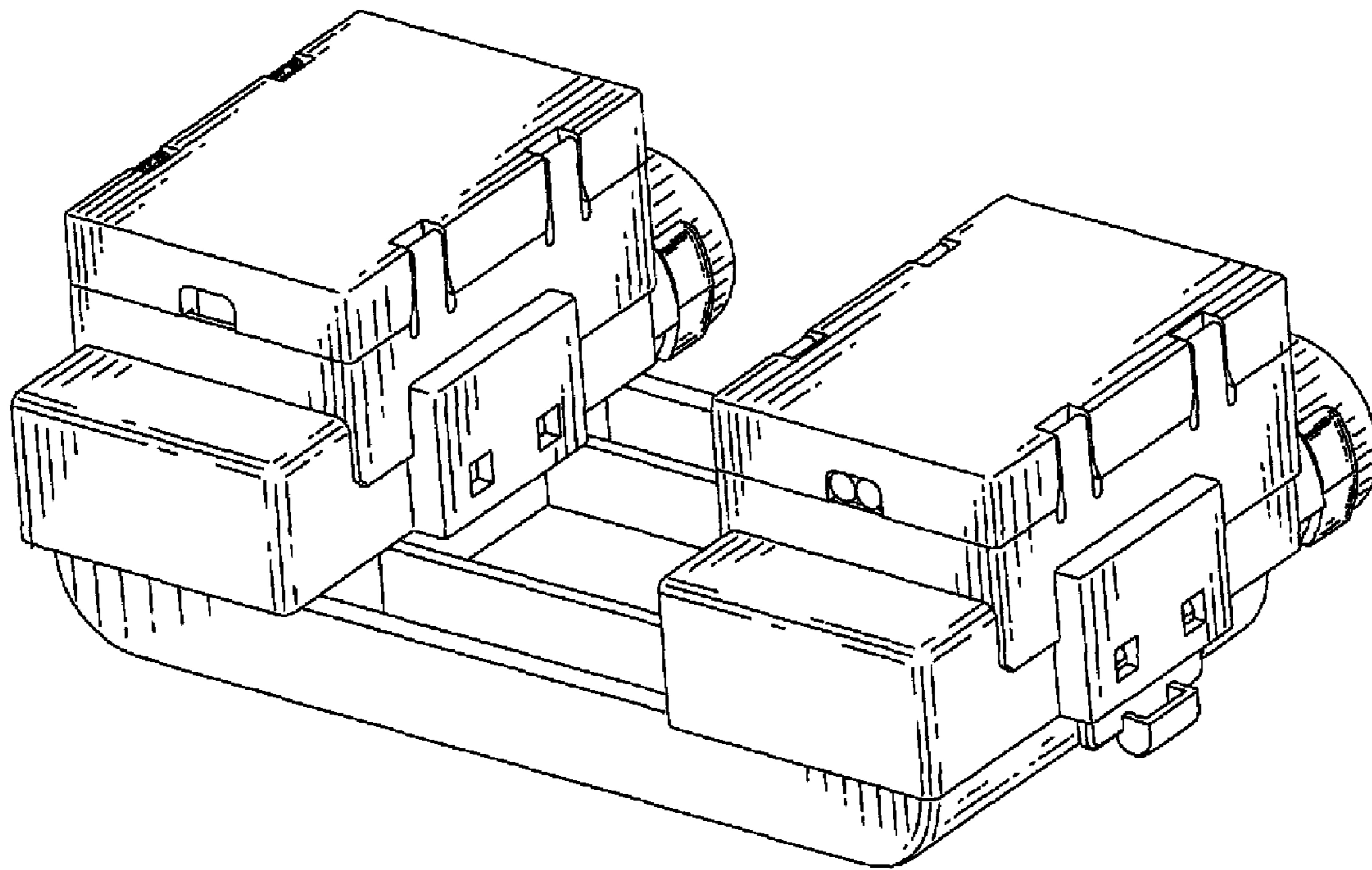


FIG. 8