

US00D648676S

(12) **United States Design Patent**  
**Brookshire et al.**

(10) **Patent No.:** **US D648,676 S**

(45) **Date of Patent:** **\*\* \*Nov. 15, 2011**

(54) **A/V UNINTERRUPTIBLE POWER SUPPLY**

(75) Inventors: **Kyle Brookshire**, Belmont, MA (US);  
**Meng-Chang Liu**, Puli Township,  
Nantou County (TW); **Daniel R.**  
**Armstrong**, Newport, KY (US)

(73) Assignee: **American Power Conversion**  
**Corporation**, West Kingston, RI (US)

(\*\*) Term: **14 Years**

(21) Appl. No.: **29/377,415**

(22) Filed: **Oct. 21, 2010**

(51) **LOC (9) Cl.** ..... **13-02**

(52) **U.S. Cl.** ..... **D13/110**

(58) **Field of Classification Search** ..... D13/110,  
D13/112, 118, 123, 184, 199; D14/167,  
D14/188, 265, 354, 355, 496, 498, 499, 502;  
174/50, 53; 361/600, 601, 622, 679, 683;  
363/141, 144, 146, 147; 720/600, 601, 619  
See application file for complete search history.

(56) **References Cited**

U.S. PATENT DOCUMENTS

5,793,627 A \* 8/1998 Caldes et al. .... 363/146  
D403,662 S \* 1/1999 Caldes et al. .... D13/110  
D463,363 S 9/2002 Veino et al.

D468,366 S 1/2003 Blake, Jr.  
D475,681 S \* 6/2003 Ho ..... D13/118  
D509,185 S \* 9/2005 Suckle et al. .... D13/110  
D514,076 S 1/2006 Albano et al.  
D533,159 S \* 12/2006 Kim et al. .... D14/502  
D535,944 S \* 1/2007 Albano et al. .... D13/110  
D542,807 S 5/2007 Long et al.  
D551,165 S \* 9/2007 Albano et al. .... D13/110  
D601,957 S 10/2009 Blake, Jr. et al.  
D602,431 S 10/2009 Liu et al.  
D615,037 S 5/2010 Liu et al.

\* cited by examiner

*Primary Examiner* — Derrick Holland

(74) *Attorney, Agent, or Firm* — Lando & Anastasi, LLP

(57) **CLAIM**

The ornamental design for an A/V uninterruptible power supply, as shown and described.

**DESCRIPTION**

FIG. 1 is a perspective view of an A/V uninterruptible power supply design;

FIG. 2 is a front elevational view thereof;

FIG. 3 is a rear elevational view thereof;

FIG. 4 is a top plan view thereof;

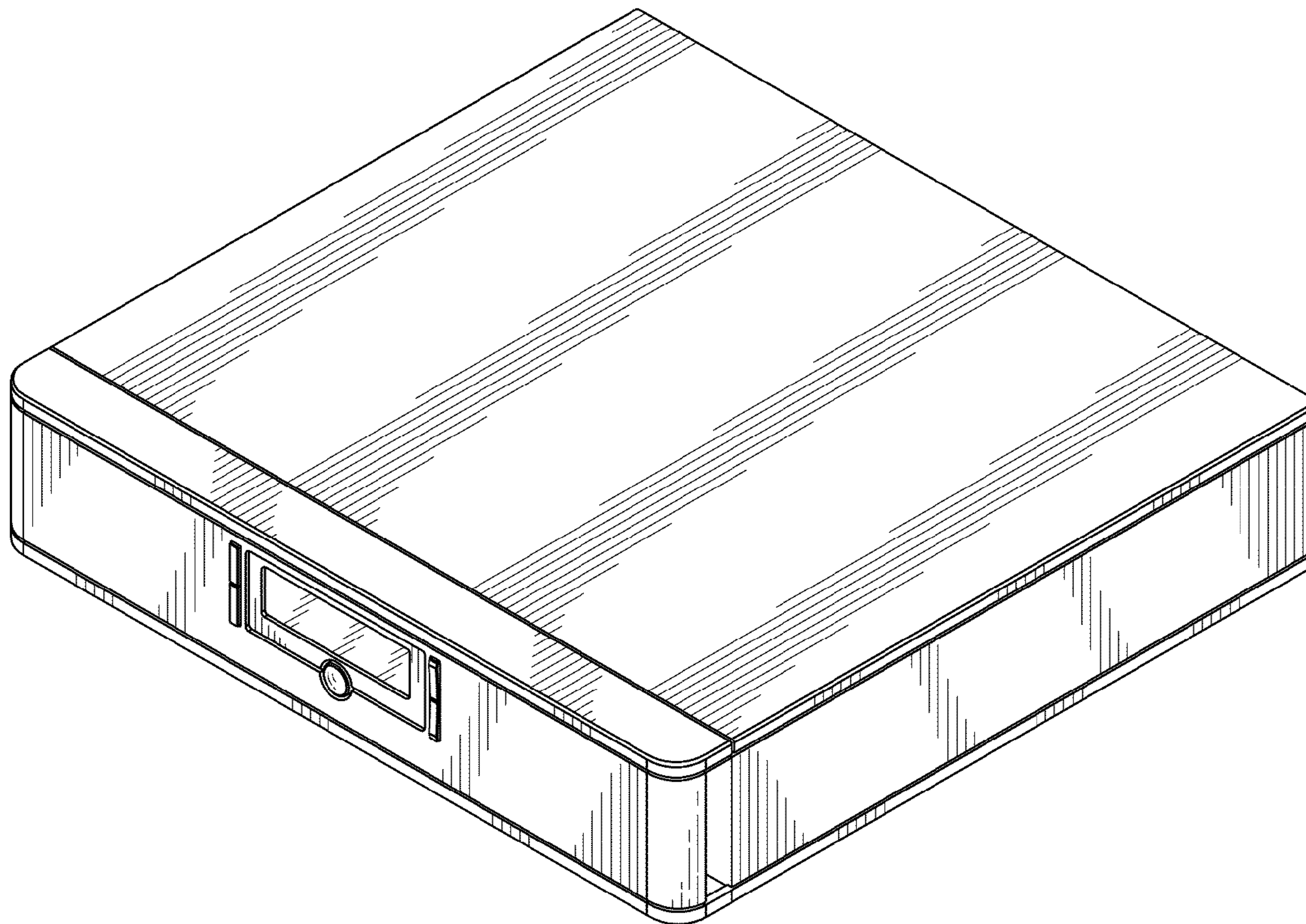
FIG. 5 is a bottom plan view thereof;

FIG. 6 is a left side elevational view thereof; and,

FIG. 7 is a right side elevational view thereof.

The broken lines shown represent unclaimed subject matter and form no part of the claimed design.

**1 Claim, 5 Drawing Sheets**



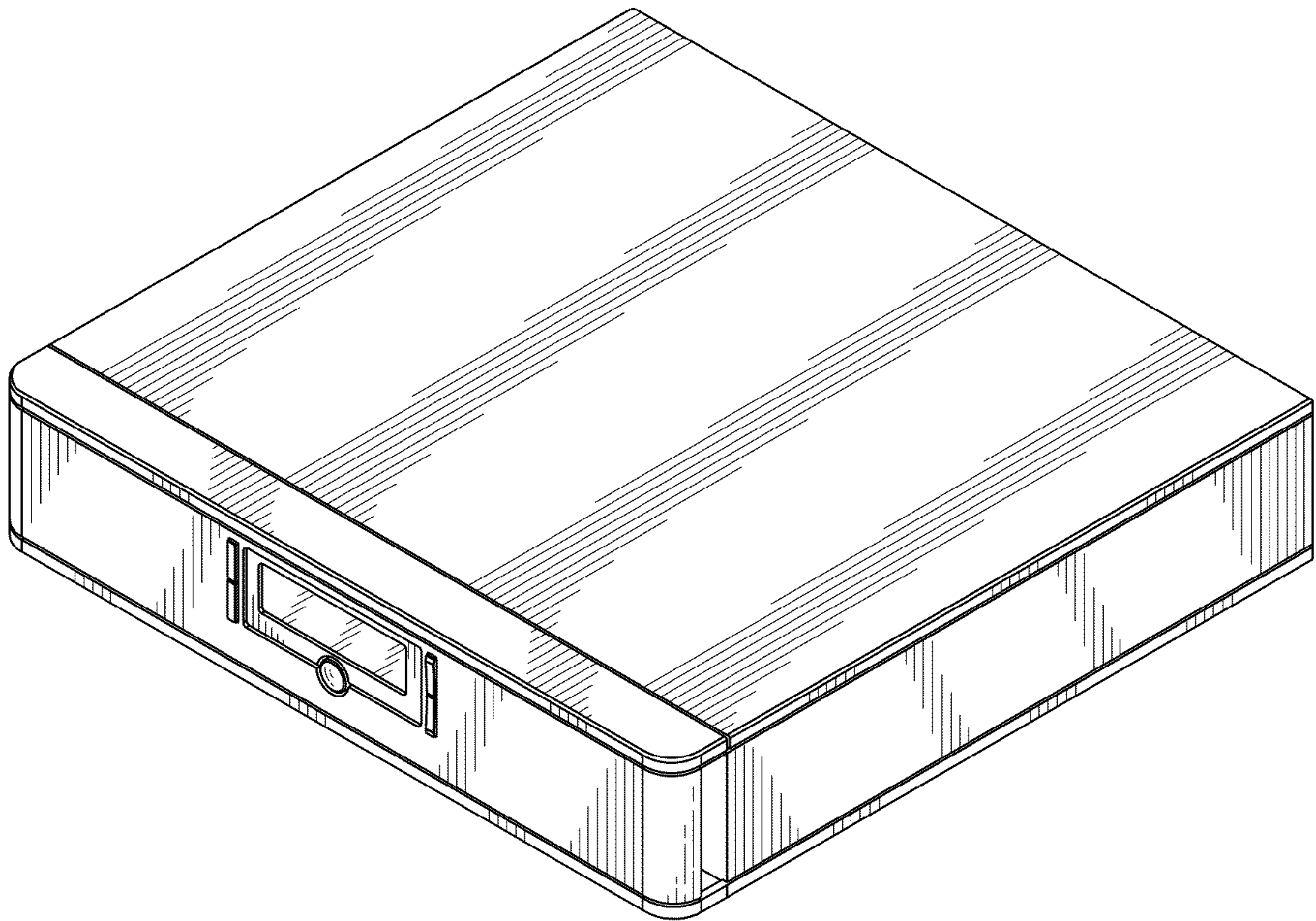


FIG. 1

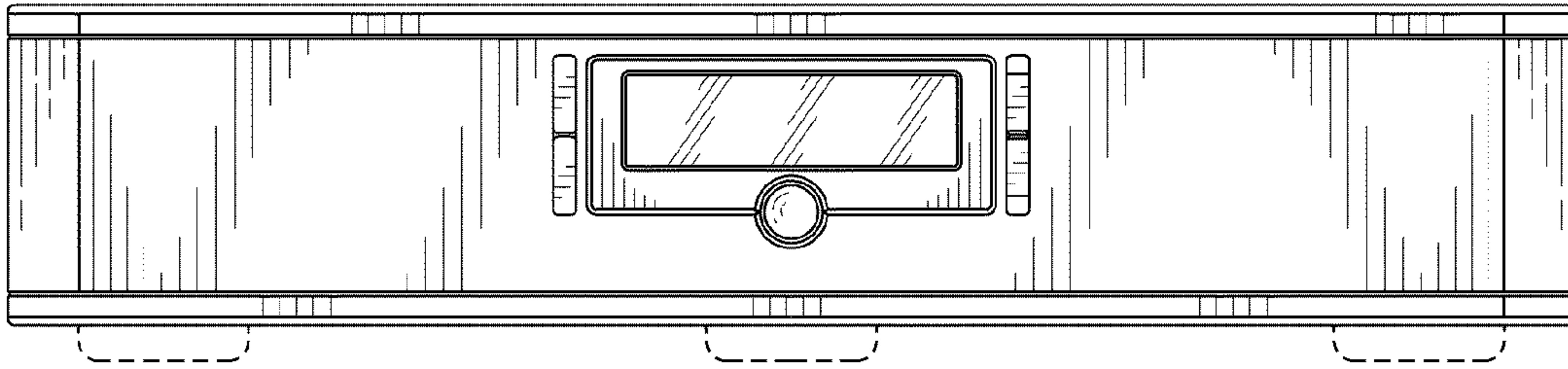


FIG. 2

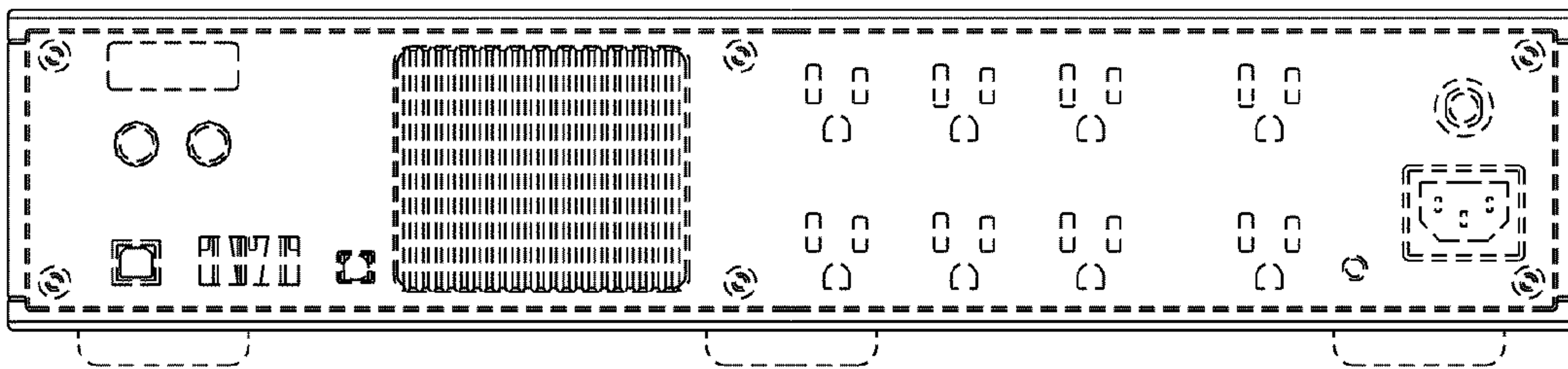


FIG. 3



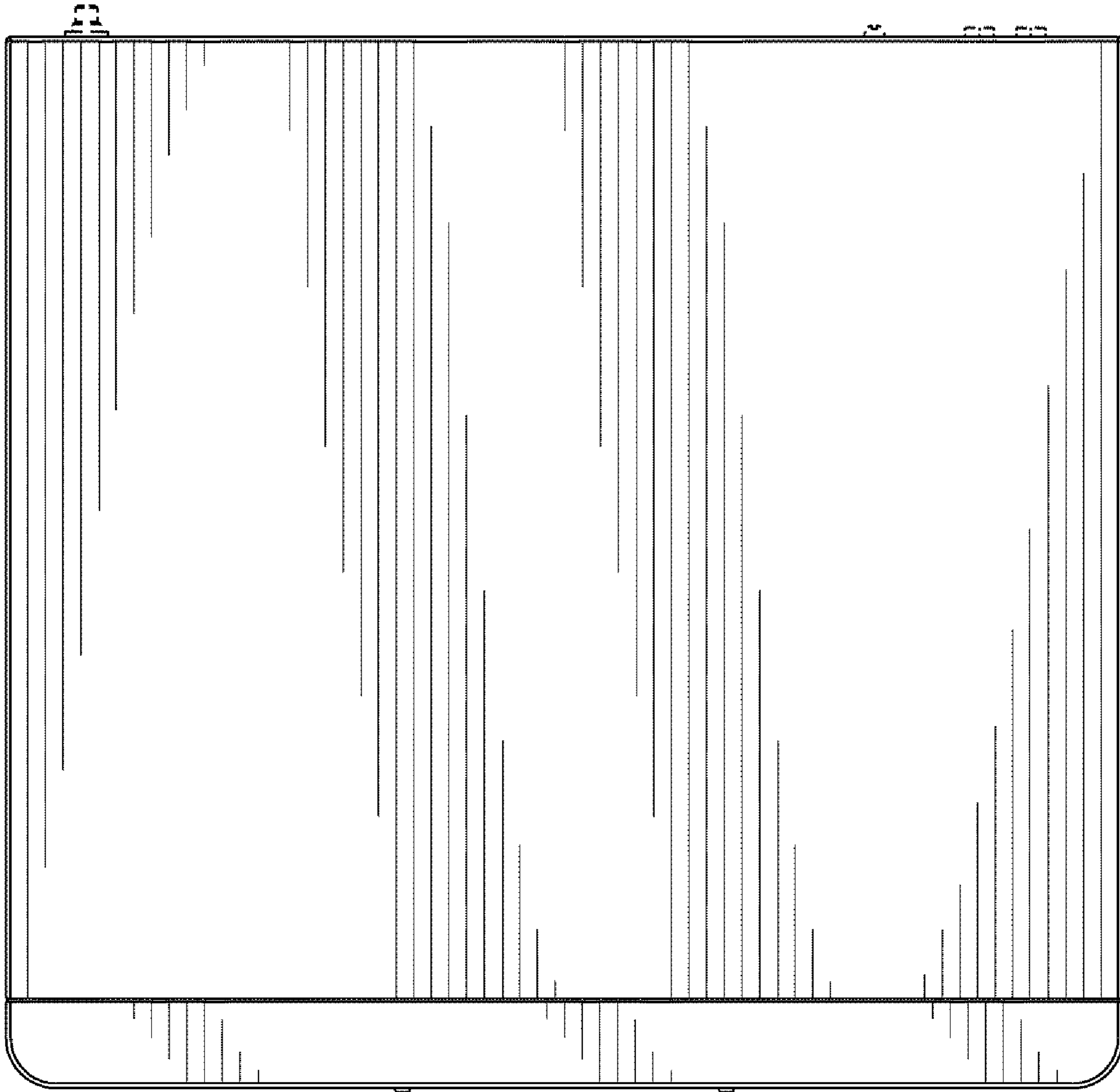


FIG. 4

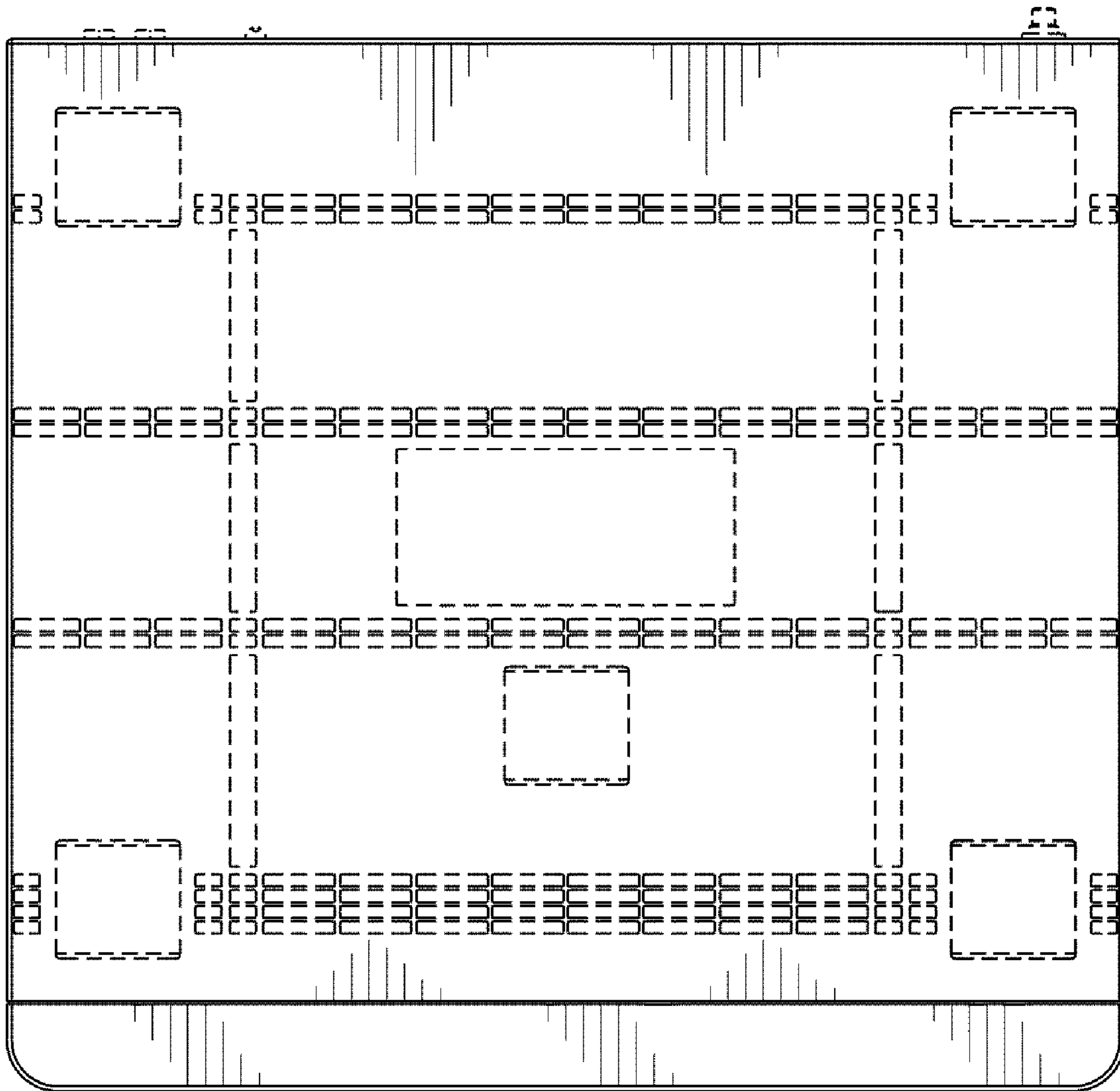


FIG. 5

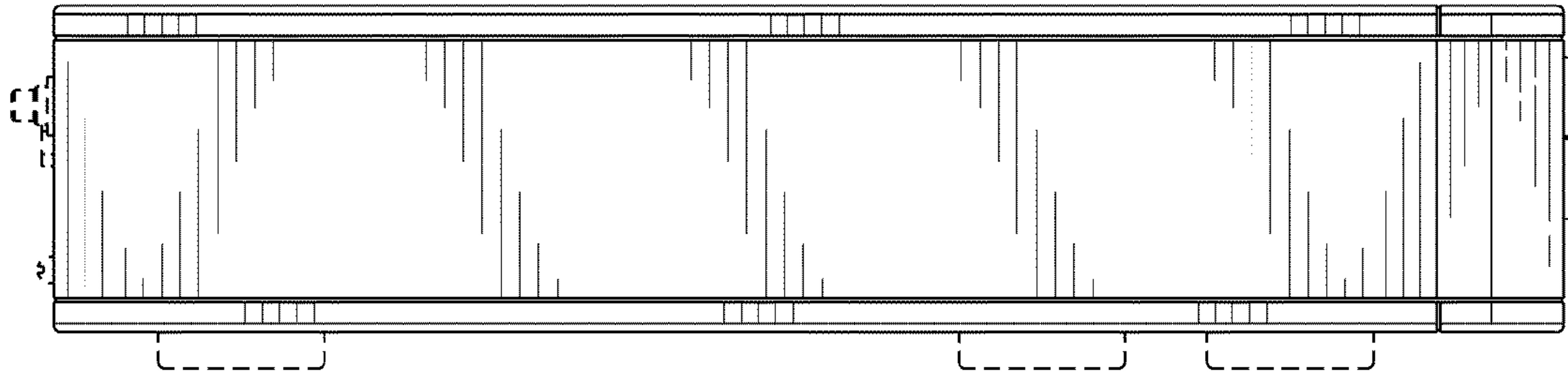


FIG. 6

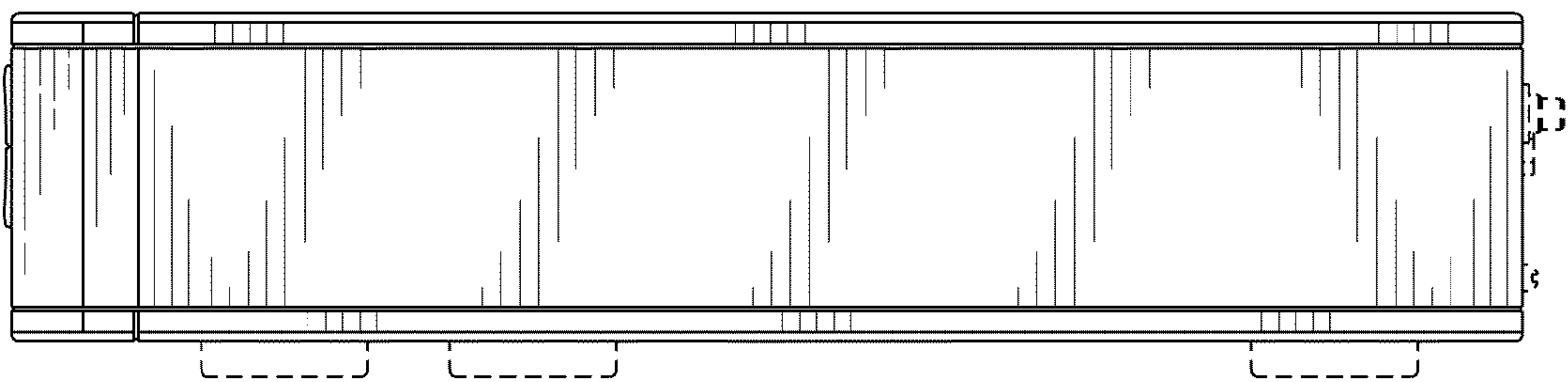


FIG. 7