



US00D648670S

(12) **United States Design Patent**  
**Yonetsu**

(10) **Patent No.:** **US D648,670 S**

(45) **Date of Patent:** **\*\* Nov. 15, 2011**

(54) **TIRE**

(75) **Inventor:** **Isao Yonetsu, Osaka (JP)**

(73) **Assignee:** **Toyo Tire & Rubber Co., Ltd., Osaka (JP)**

(\*\*) **Term:** **14 Years**

(21) **Appl. No.:** **29/386,179**

(22) **Filed:** **Feb. 25, 2011**

(30) **Foreign Application Priority Data**

Jan. 7, 2011 (JP) ..... 2011-000196

(51) **LOC (9) Cl.** ..... **12-15**

(52) **U.S. Cl.** ..... **D12/585**

(58) **Field of Classification Search** ..... D12/568-603,  
D12/900-901, 547-550; 152/209.1-209.28,  
152/455

See application file for complete search history.

(56) **References Cited**

**U.S. PATENT DOCUMENTS**

D349,672 S *	8/1994	Seimiya et al. ....	D12/585
D349,673 S *	8/1994	Seimiya et al. ....	D12/585
D383,422 S *	9/1997	Kunos et al. ....	D12/585
D384,614 S *	10/1997	Hanlon et al. ....	D12/585
D392,226 S *	3/1998	Howald et al. ....	D12/585
D394,622 S *	5/1998	Guspodin et al. ....	D12/585
D412,144 S *	7/1999	Demagall et al. ....	D12/585
D412,470 S *	8/1999	Downey .....	D12/585
D450,271 S *	11/2001	Wallet et al. ....	D12/585
D451,862 S *	12/2001	Graas et al. ....	D12/585
D455,999 S *	4/2002	Graas .....	D12/585

D547,717 S *	7/2007	Yamane et al. ....	D12/585
D578,471 S *	10/2008	Guspodin et al. ....	D12/585
D583,307 S *	12/2008	Heinen et al. ....	D12/585
D613,678 S *	4/2010	Nakamura et al. ....	D12/585

**FOREIGN PATENT DOCUMENTS**

JP	916742	1/1995
JP	939270	11/1995

\* cited by examiner

*Primary Examiner* — Stacia Cadmus

(74) *Attorney, Agent, or Firm* — Sterne, Kessler, Goldstein & Fox PLLC

(57) **CLAIM**

The ornamental design for a tire, as shown and described.

**DESCRIPTION**

FIG. 1 is a perspective view of a tire showing my new design; FIG. 2 is a front view thereof, for which the rear view is a mirror image;

FIG. 3 is a top plan view thereof, for which the bottom plan view is the same;

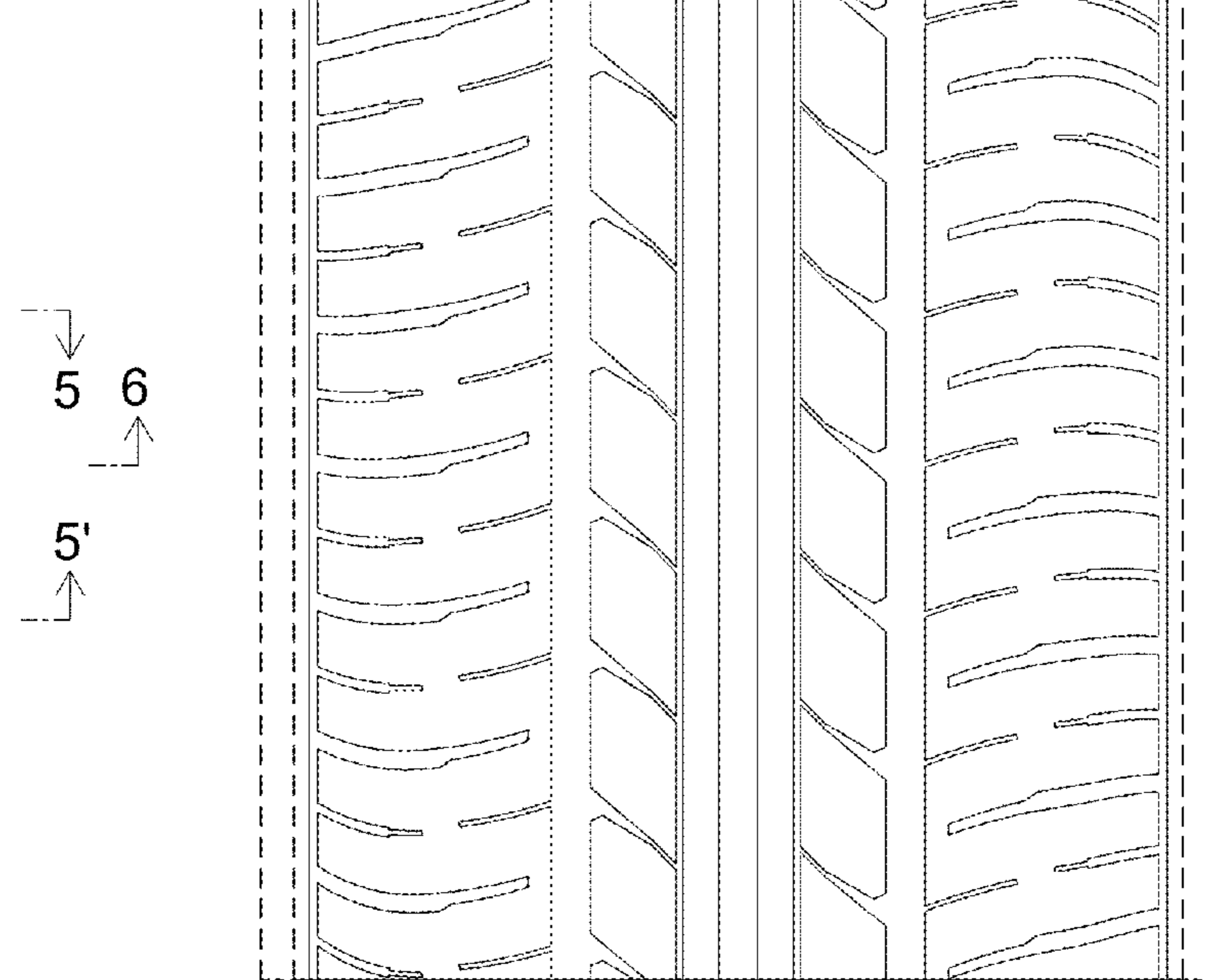
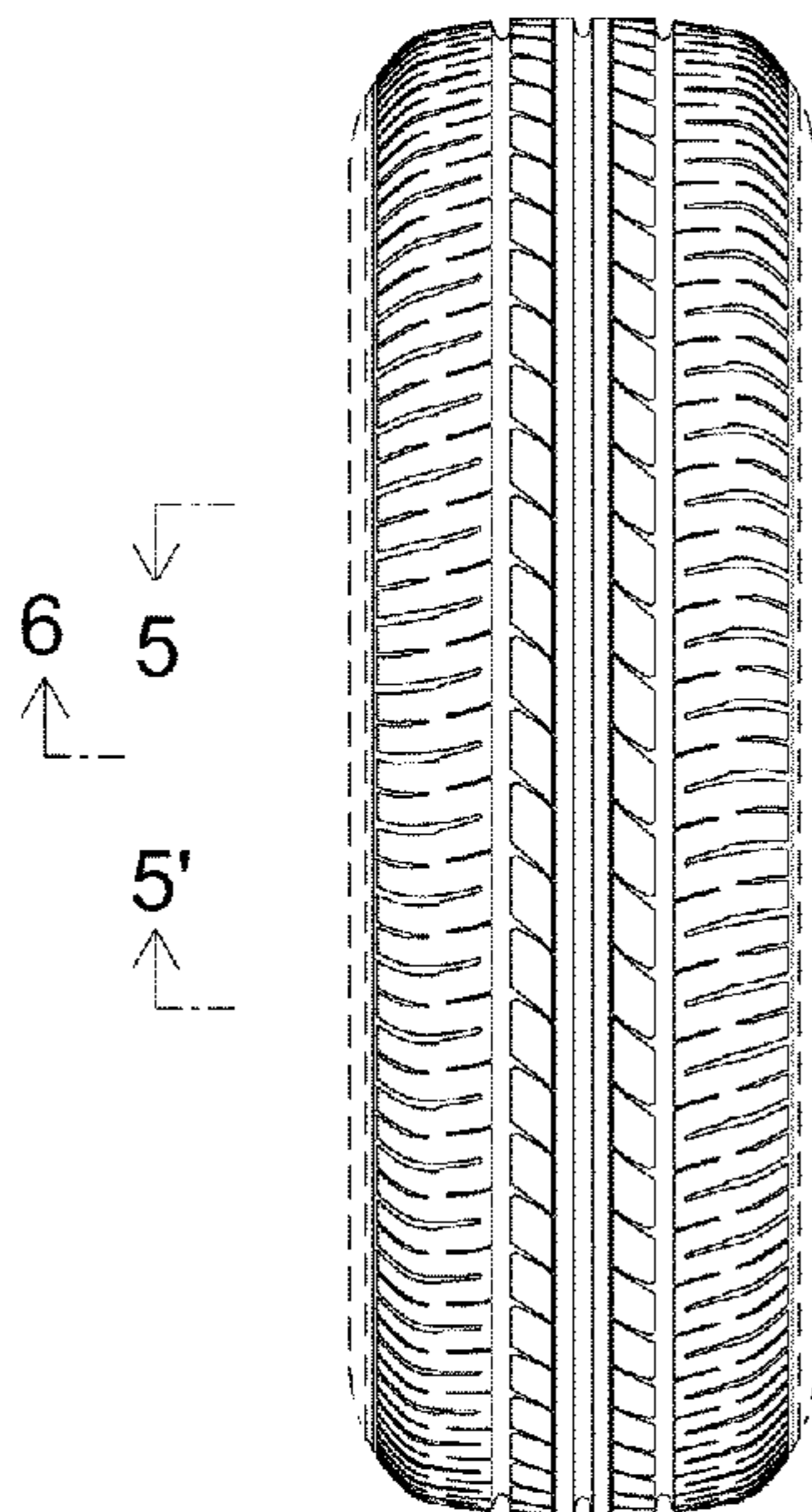
FIG. 4 is a right side view thereof, for which the left side view is a mirror image;

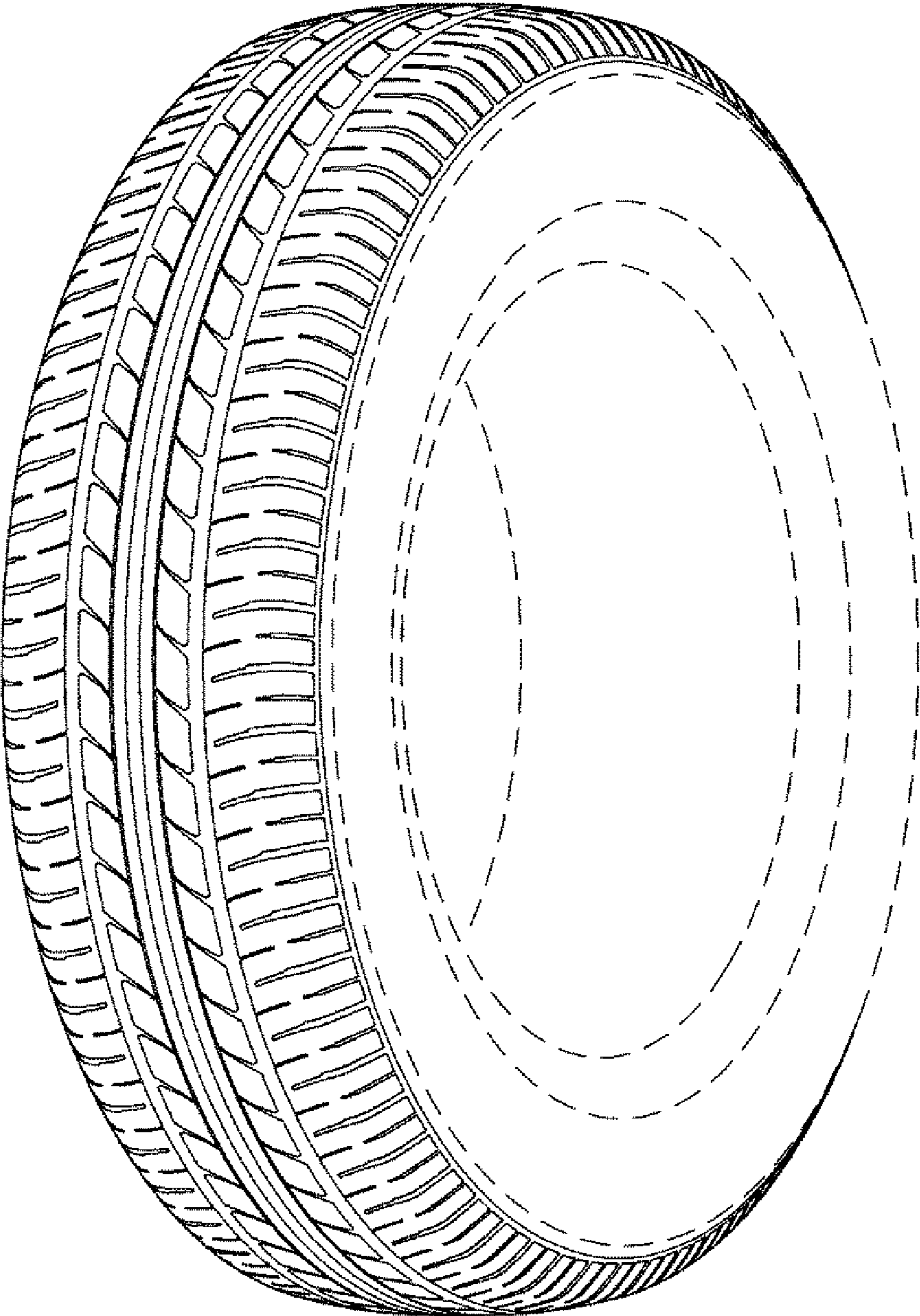
FIG. 5 is an enlarged view taken along lines 5-5 and 5'-5' in FIG. 2; and,

FIG. 6 is an enlarged cross-sectional view taken along line 6-6 in FIG. 2 and line 6'-6' in FIG. 4.

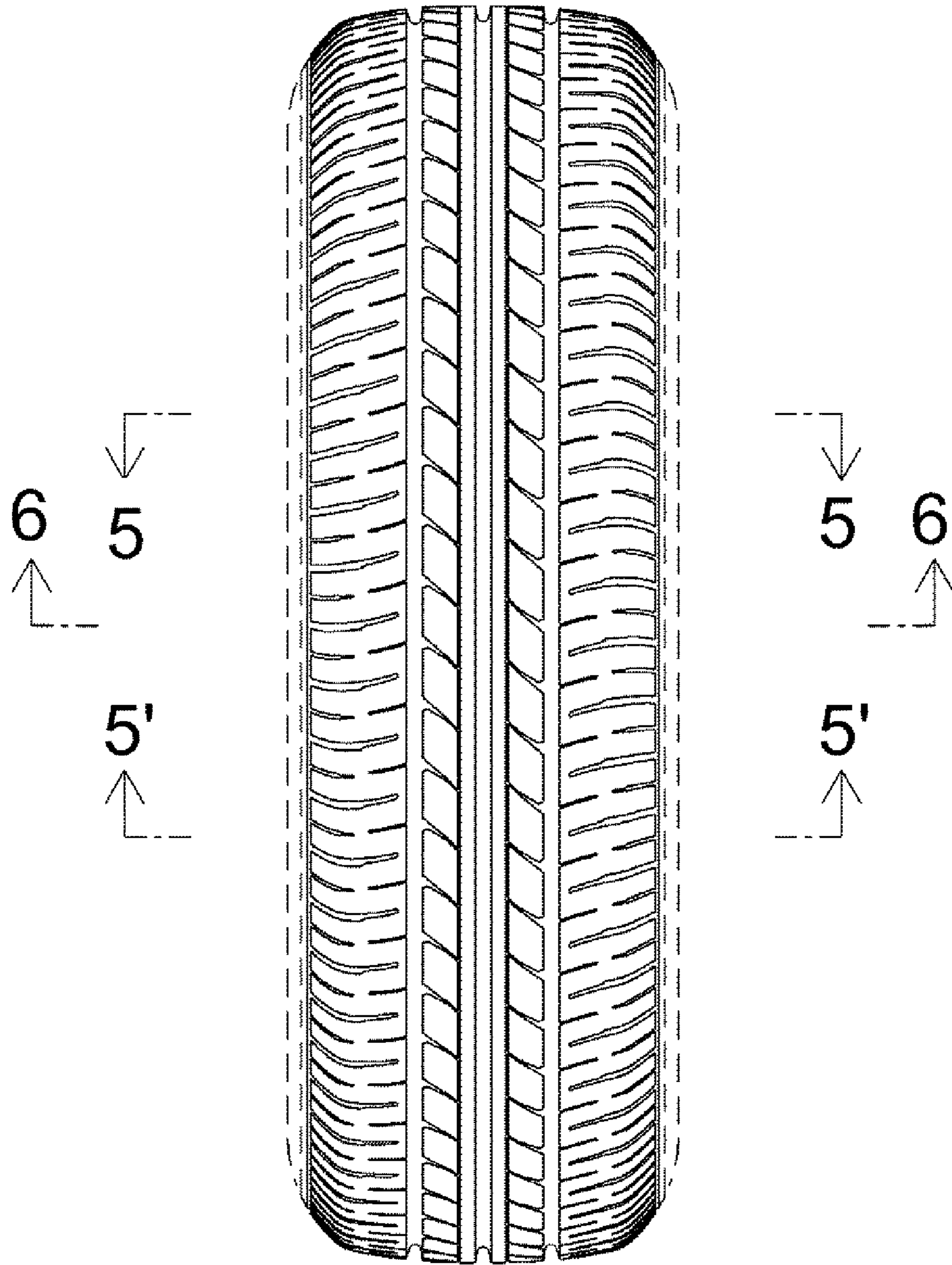
In the drawings, the broken lines defining portions of the sidewall and inner bead depict environmental subject matter that forms no part of the claimed design.

**1 Claim, 6 Drawing Sheets**



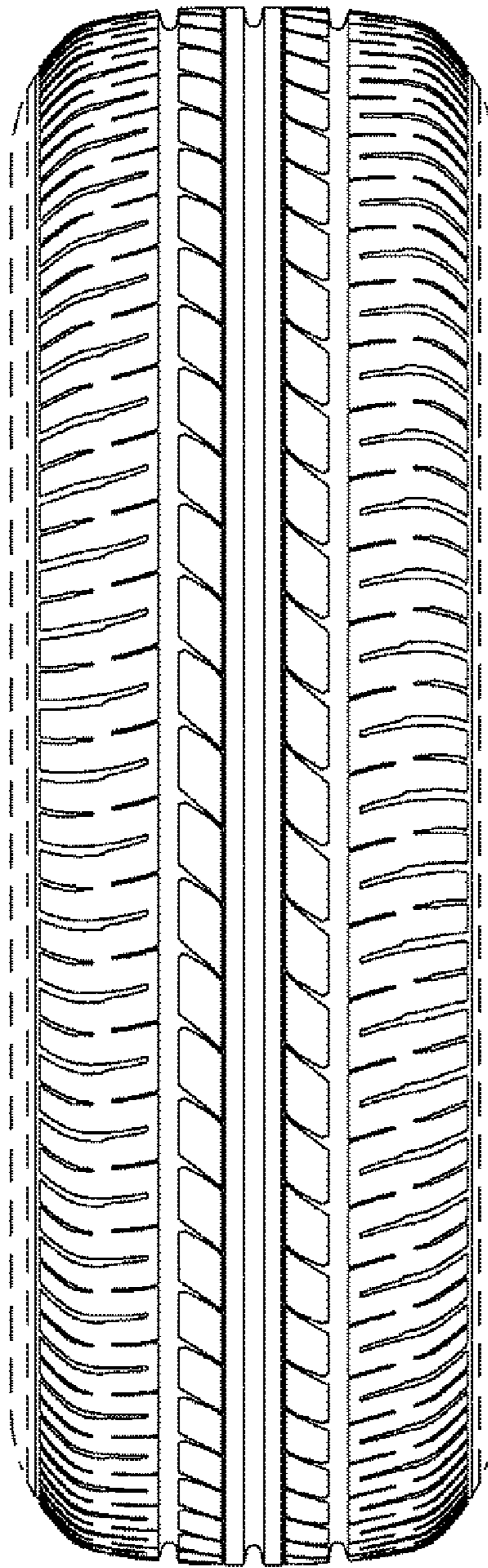


**FIG. 1**

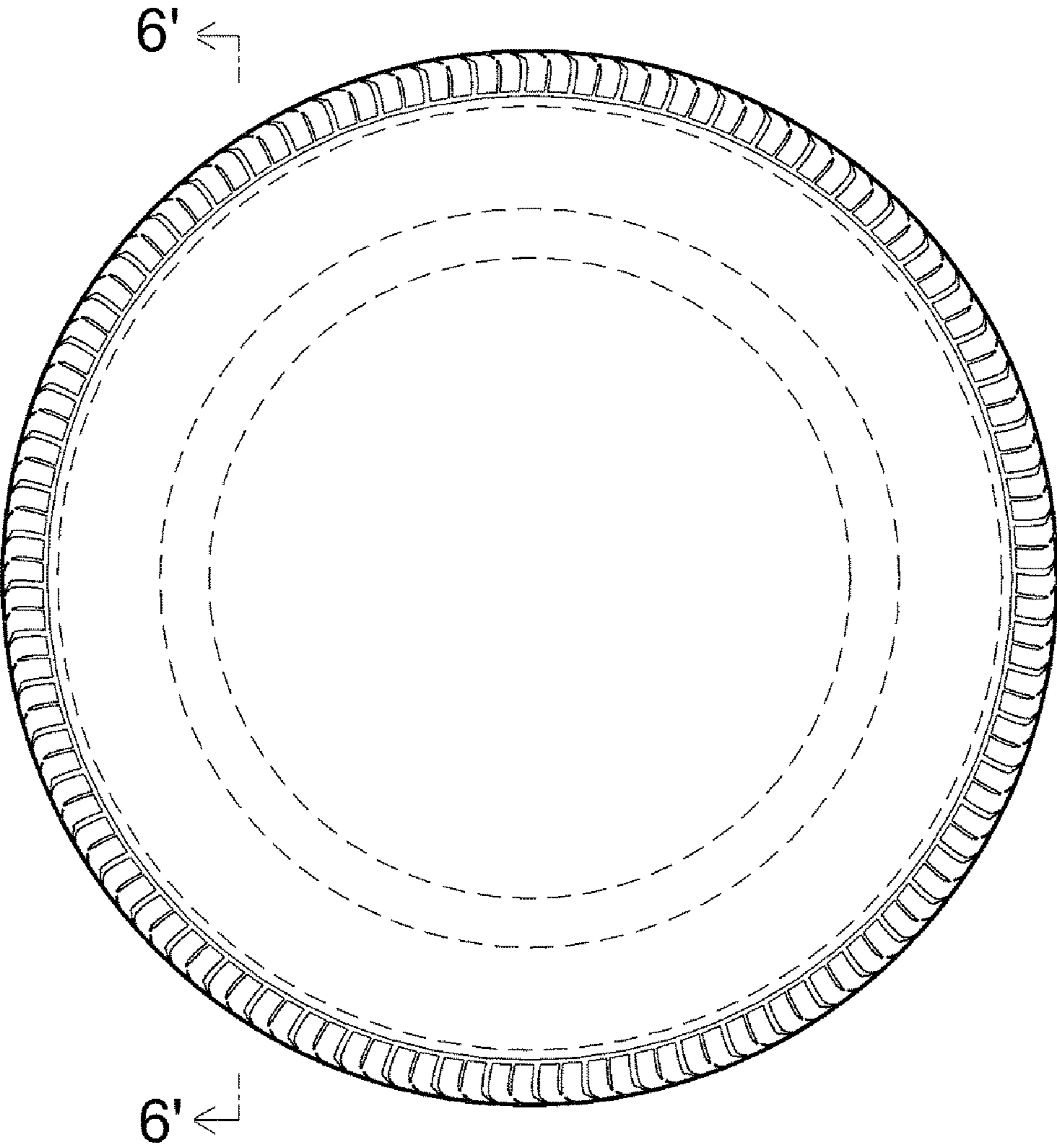


**FIG. 2**

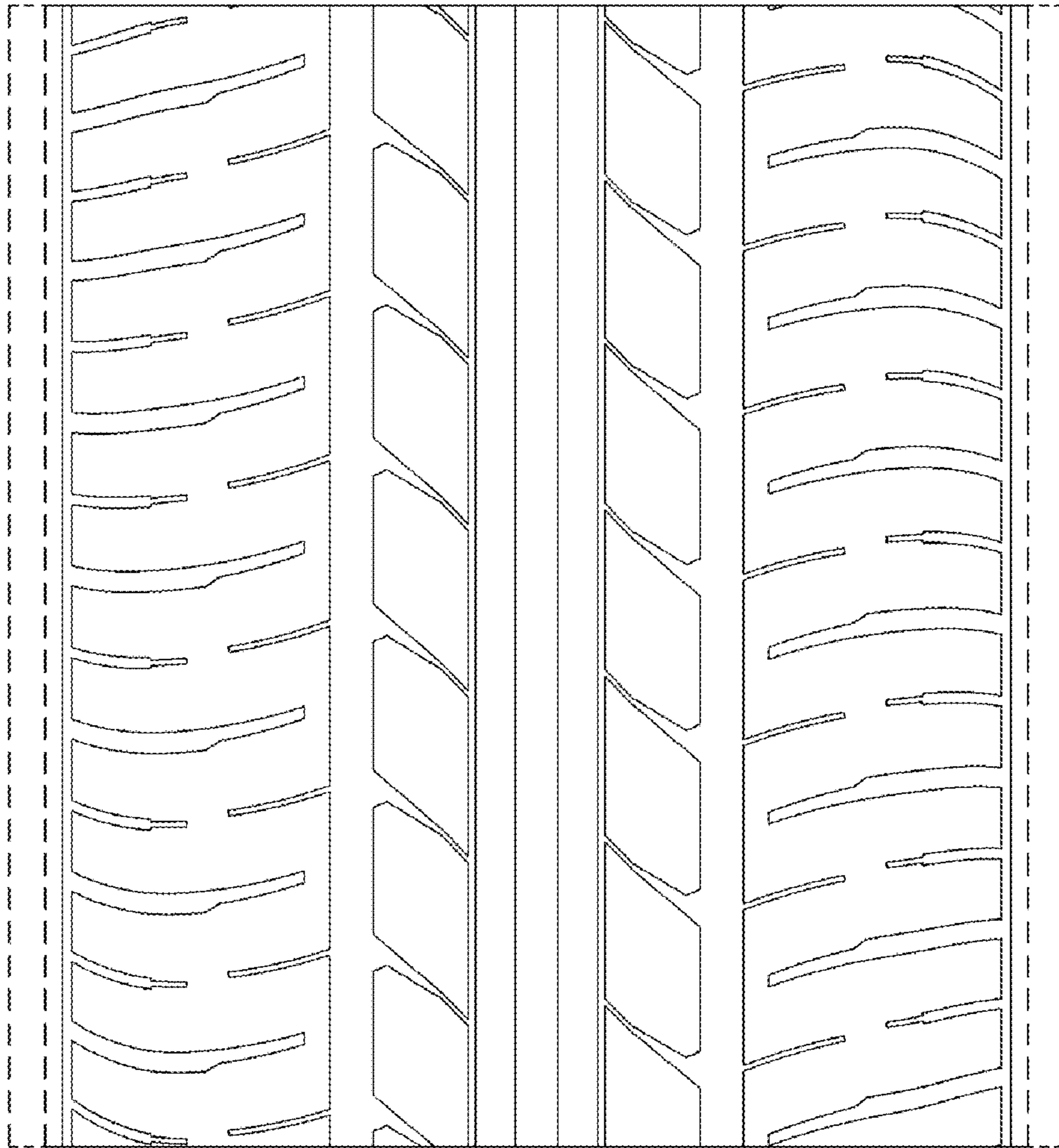




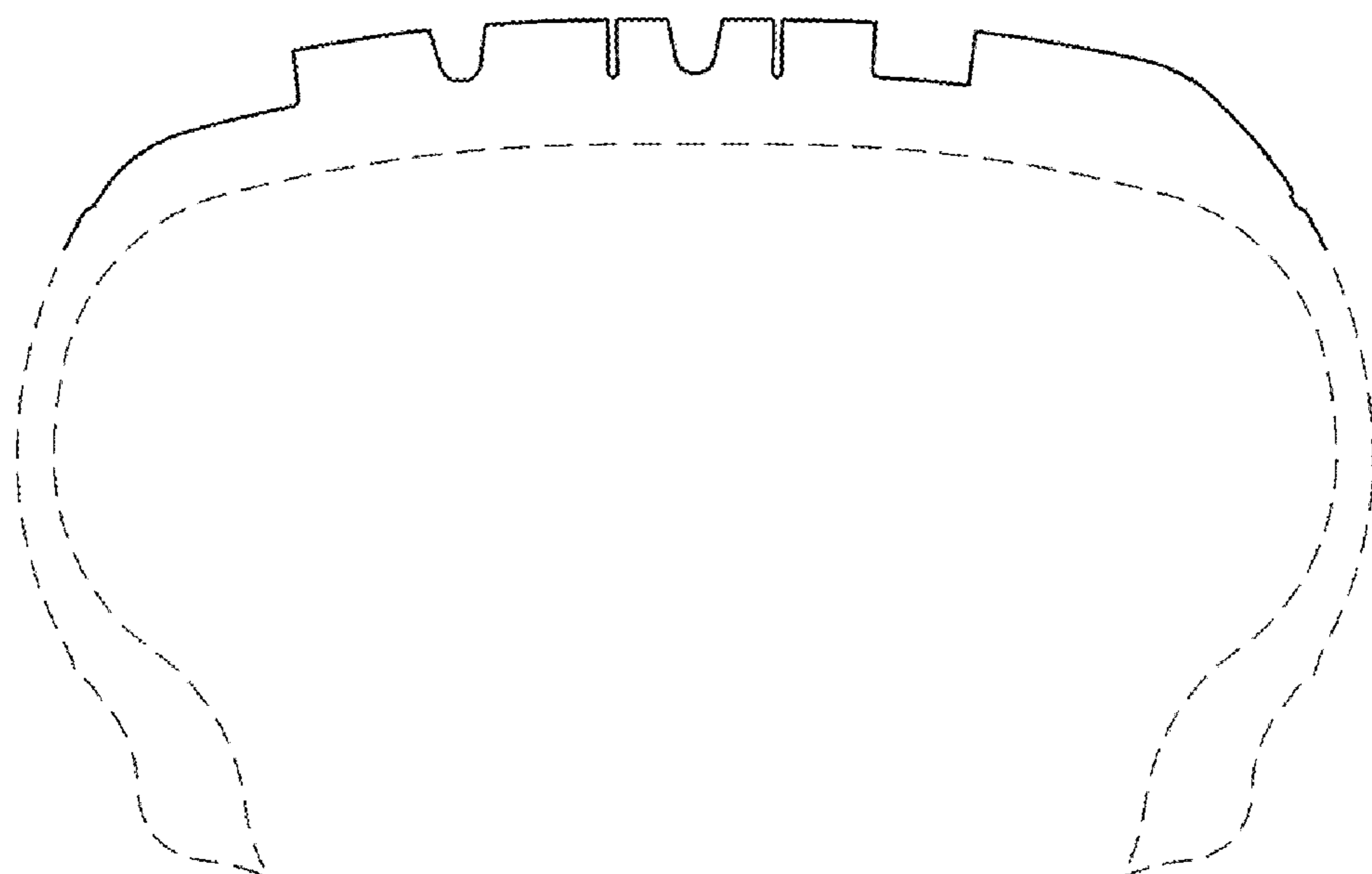
**FIG. 3**



**FIG. 4**



**FIG. 5**



**FIG. 6**