



US00D648666S

(12) **United States Design Patent**  
**Odell**

(10) **Patent No.:** **US D648,666 S**

(45) **Date of Patent:** **\*\* Nov. 15, 2011**

(54) **BOAT SKI TOWER WITH ADJUSTABLE LEGS**

(76) Inventor: **James Odell**, Seven Hills (AU)

(\*\*) Term: **14 Years**

(21) Appl. No.: **29/380,561**

(22) Filed: **Dec. 7, 2010**

(51) **LOC (9) Cl.** ..... **12-06**

(52) **U.S. Cl.** ..... **D12/317**

(58) **Field of Classification Search** ..... D12/300,  
D12/301, 310-314, 317, 318, 114; 114/247,  
114/249, 250, 253, 254, 343, 361, 364; D8/349,  
D8/354, 382

See application file for complete search history.

(56) **References Cited**

**U.S. PATENT DOCUMENTS**

D409,972 S *	5/1999	Todd	.....	D12/318
D465,194 S *	11/2002	Eck	.....	D12/317
D479,500 S *	9/2003	Mattarocci	.....	D12/317
D480,349 S *	10/2003	Carlton	.....	D12/317
D486,774 S *	2/2004	Eck	.....	D12/317
D519,910 S *	5/2006	Bierbower, Jr.	.....	D12/317
D534,855 S *	1/2007	Metcalf	.....	D12/317
D555,545 S *	11/2007	Peek	.....	D12/114

D568,804 S *	5/2008	Zsido	.....	D12/317
D624,000 S *	9/2010	Wilson	.....	D12/317
2004/0144295 A1 *	7/2004	Bierbower, Jr.	.....	114/249
2004/0187764 A1 *	9/2004	Eck et al.	.....	114/364
2007/0034134 A1 *	2/2007	Carlton	.....	114/253

\* cited by examiner

*Primary Examiner* — Cynthia M Chin

(74) *Attorney, Agent, or Firm* — QuickPatents, Inc.; Kevin Prince

(57) **CLAIM**

The ornamental design for a boat ski tower with adjustable legs, as shown and described.

**DESCRIPTION**

FIG. 1 is a perspective view of a boat ski tower with adjustable legs, showing the new design;

FIG. 2 is a front elevational view thereof;

FIG. 3 is a rear elevational view thereof;

FIG. 4 is a left-side elevational view thereof;

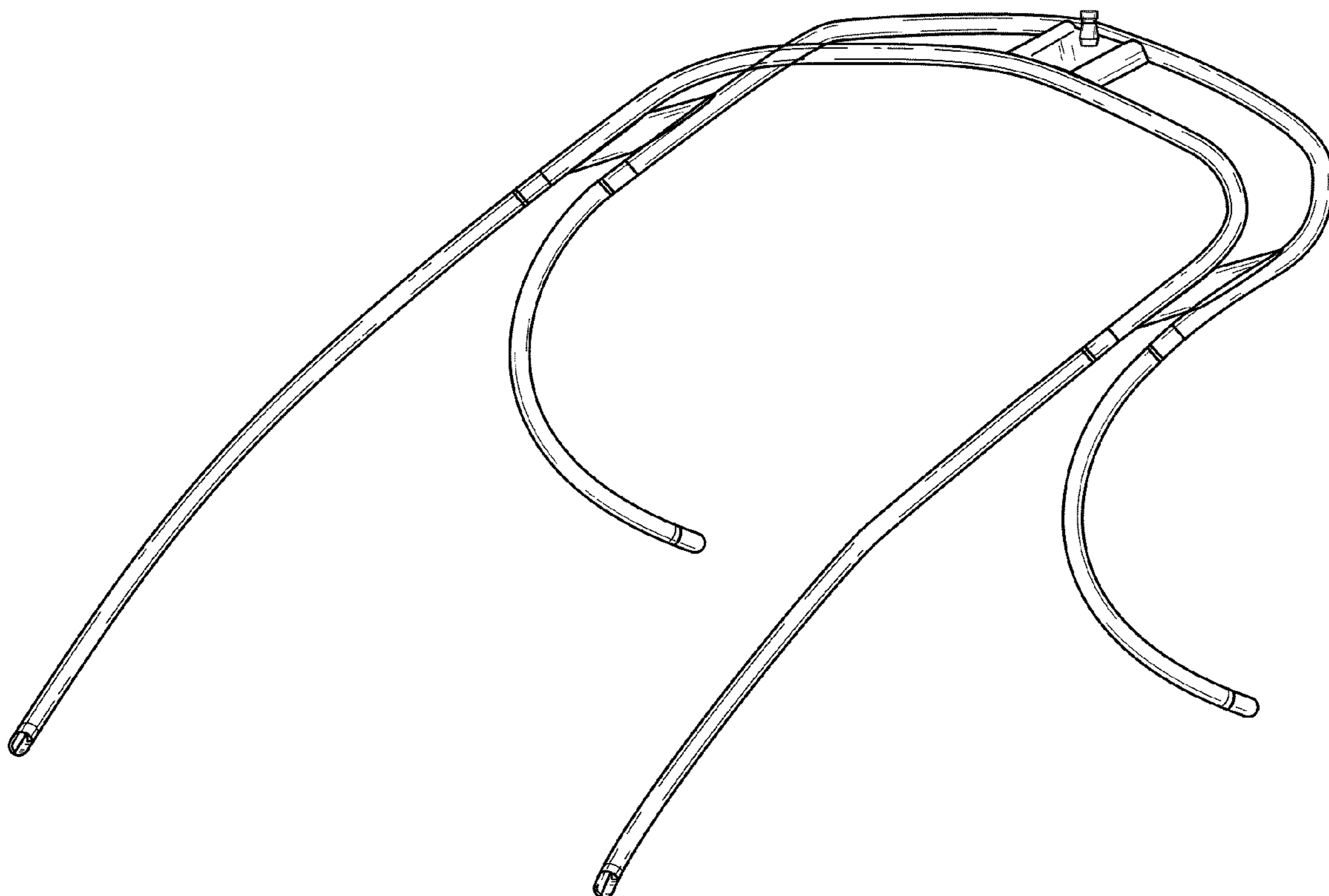
FIG. 5 is a right-side elevational view thereof;

FIG. 6 is a top plan view thereof; and,

FIG. 7 is a bottom plan view thereof.

The broken lines represent portions of the article that form no part of the claim.

**1 Claim, 5 Drawing Sheets**



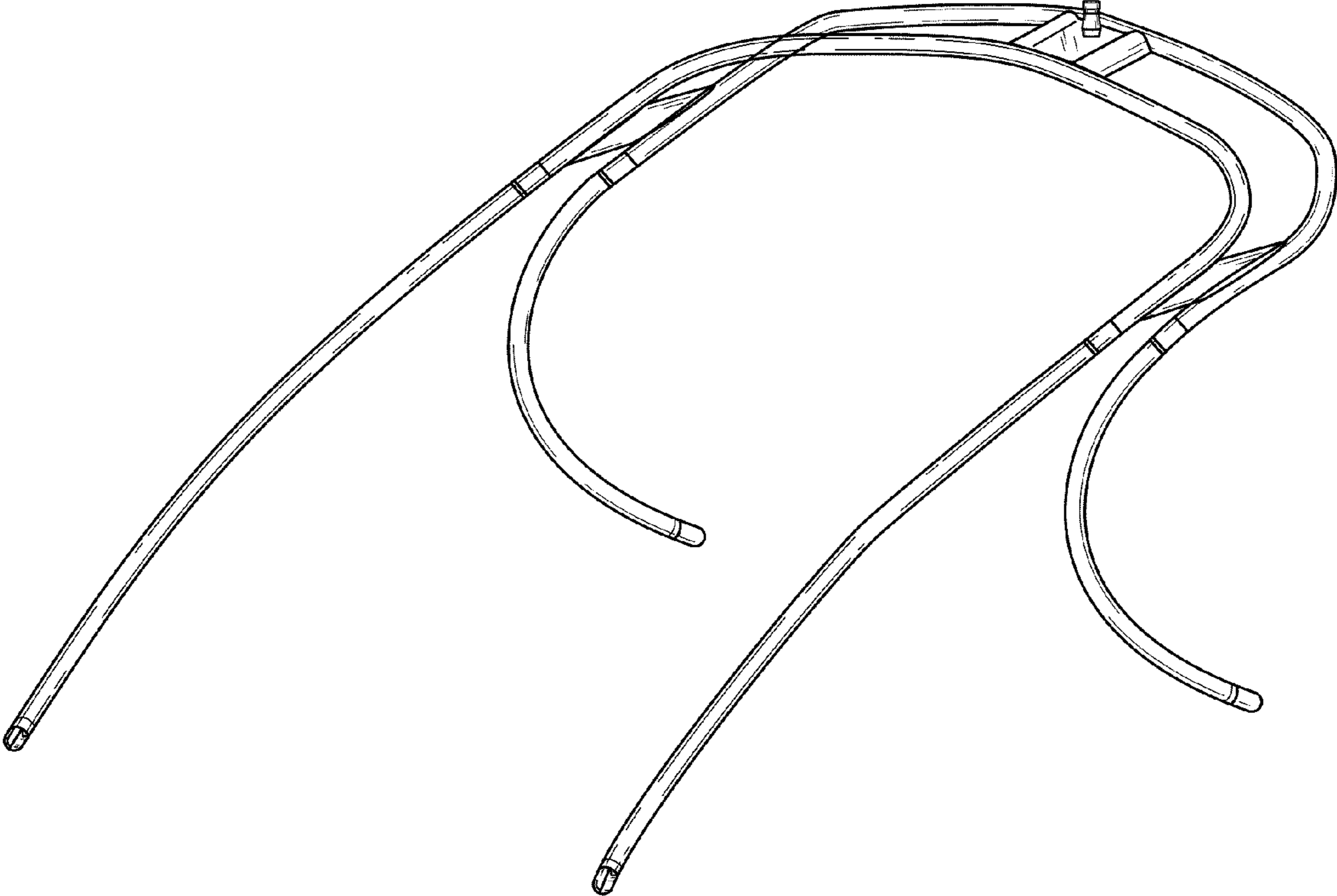


FIG. 1

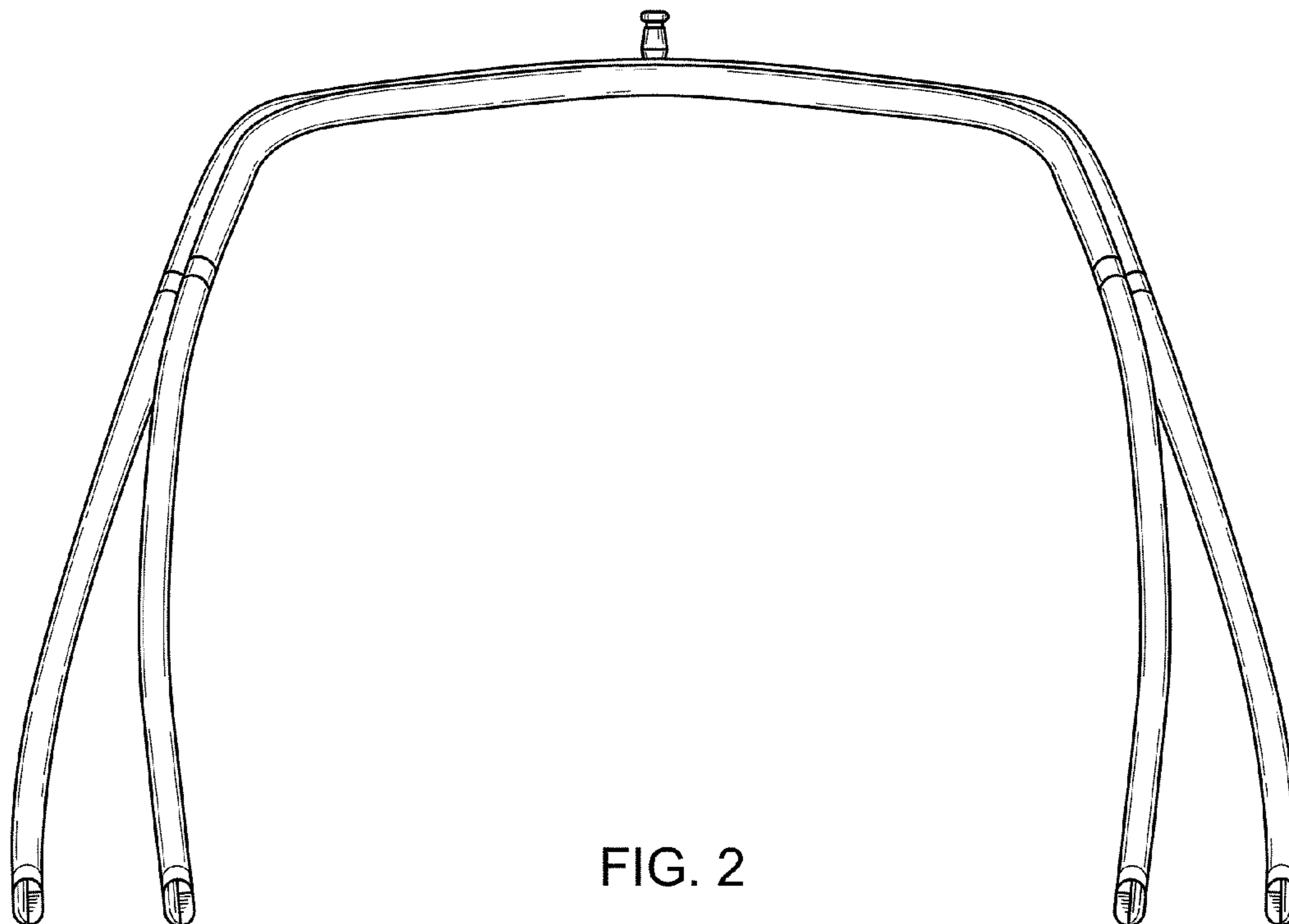


FIG. 2

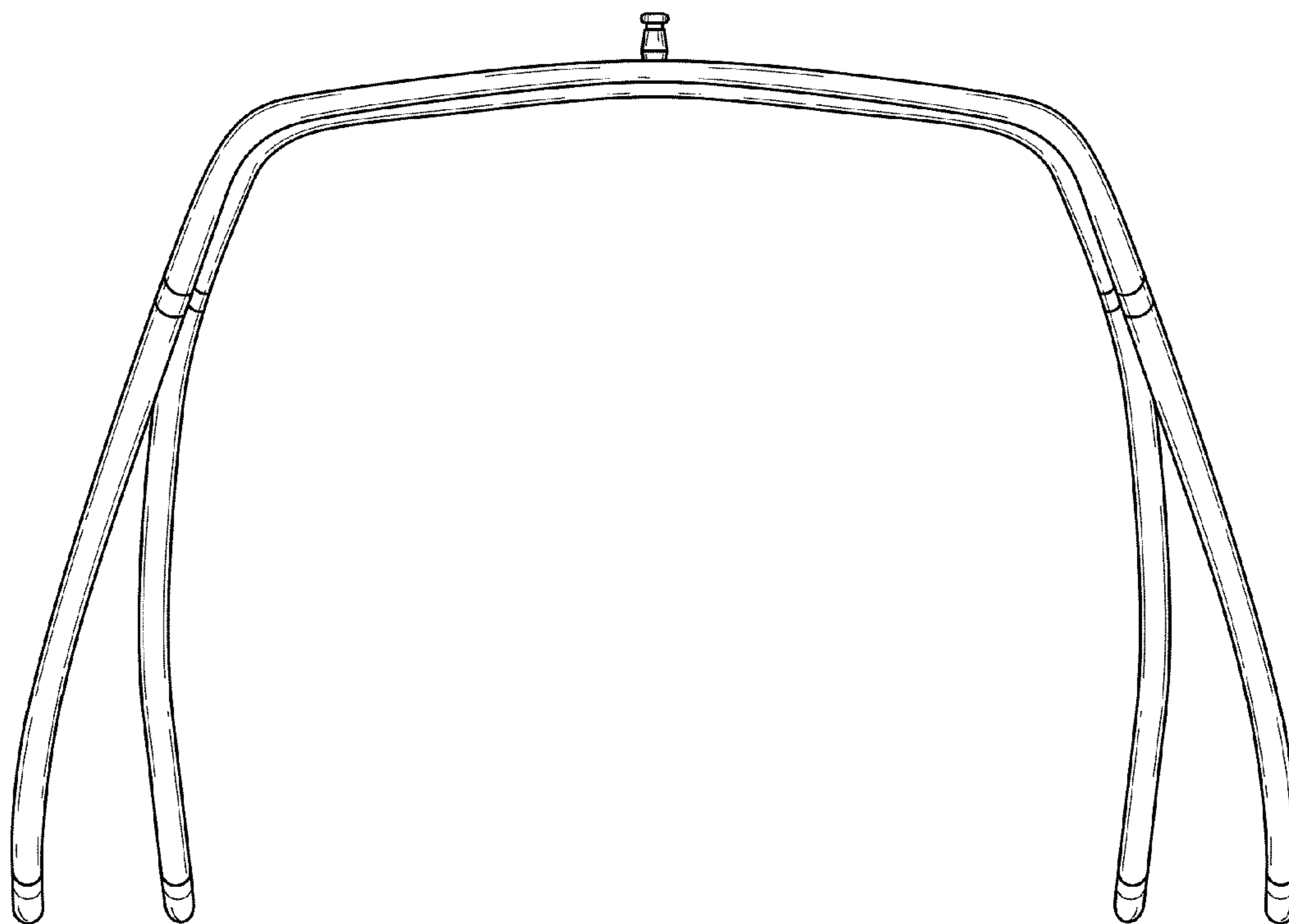


FIG. 3

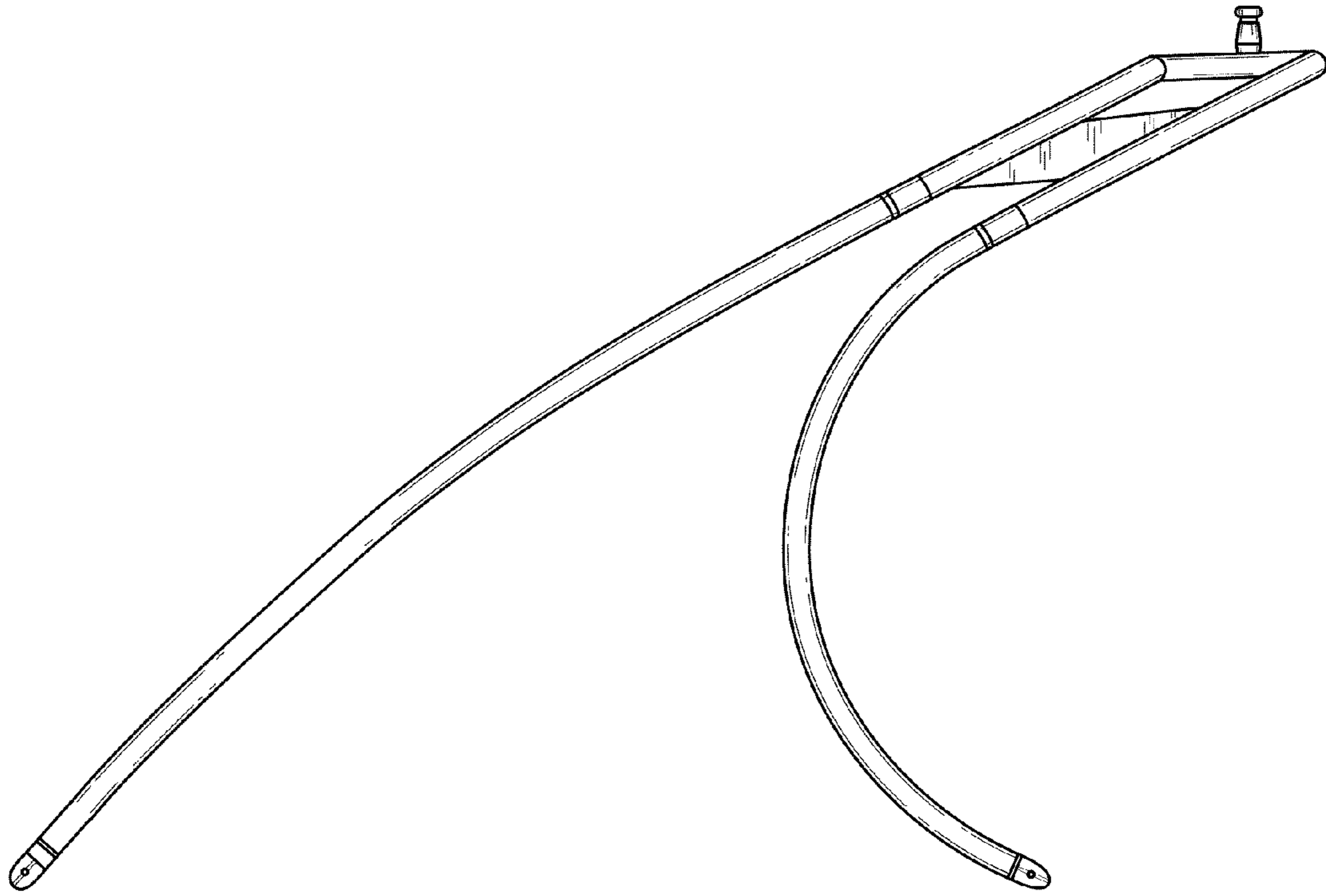


FIG. 4

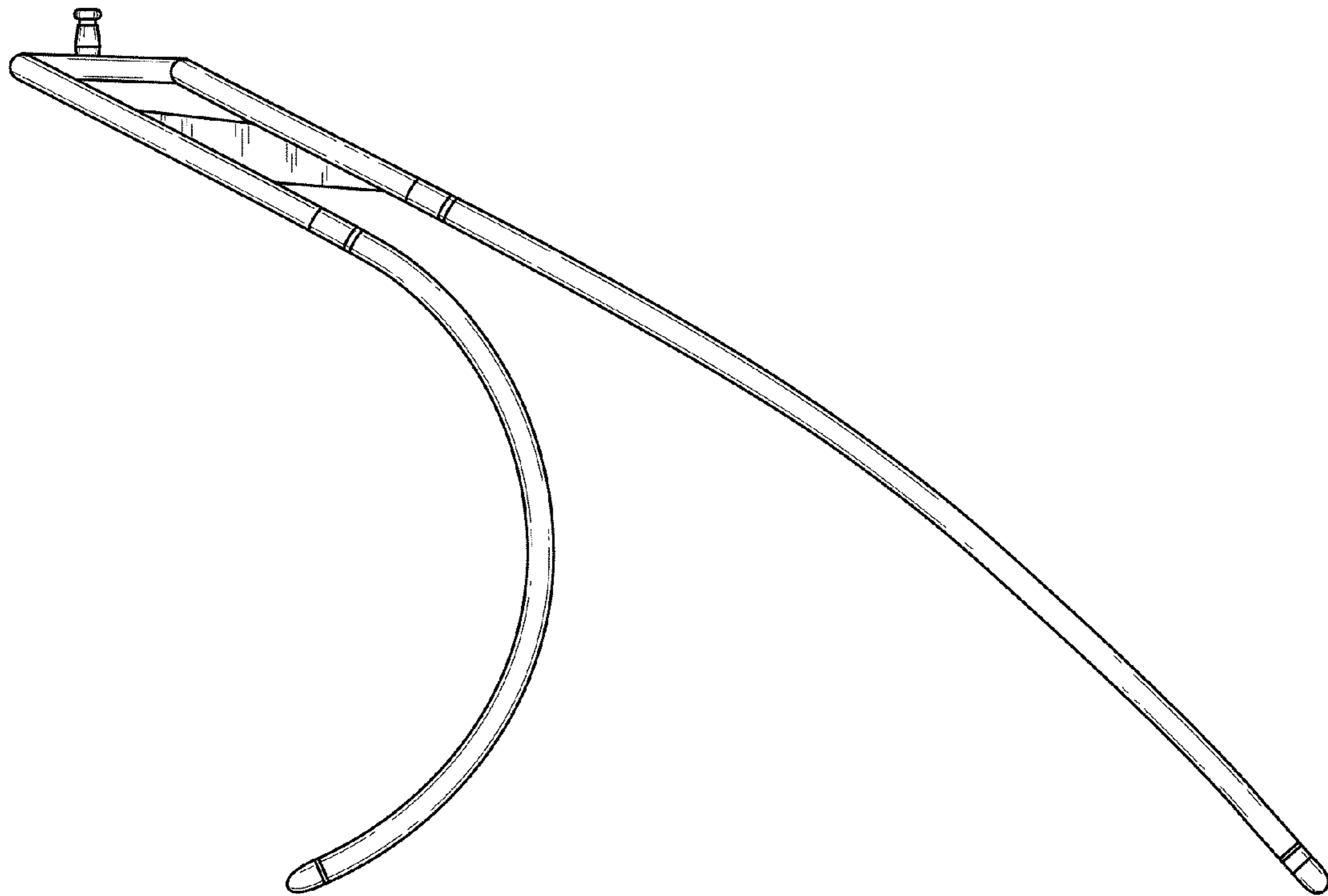


FIG. 5

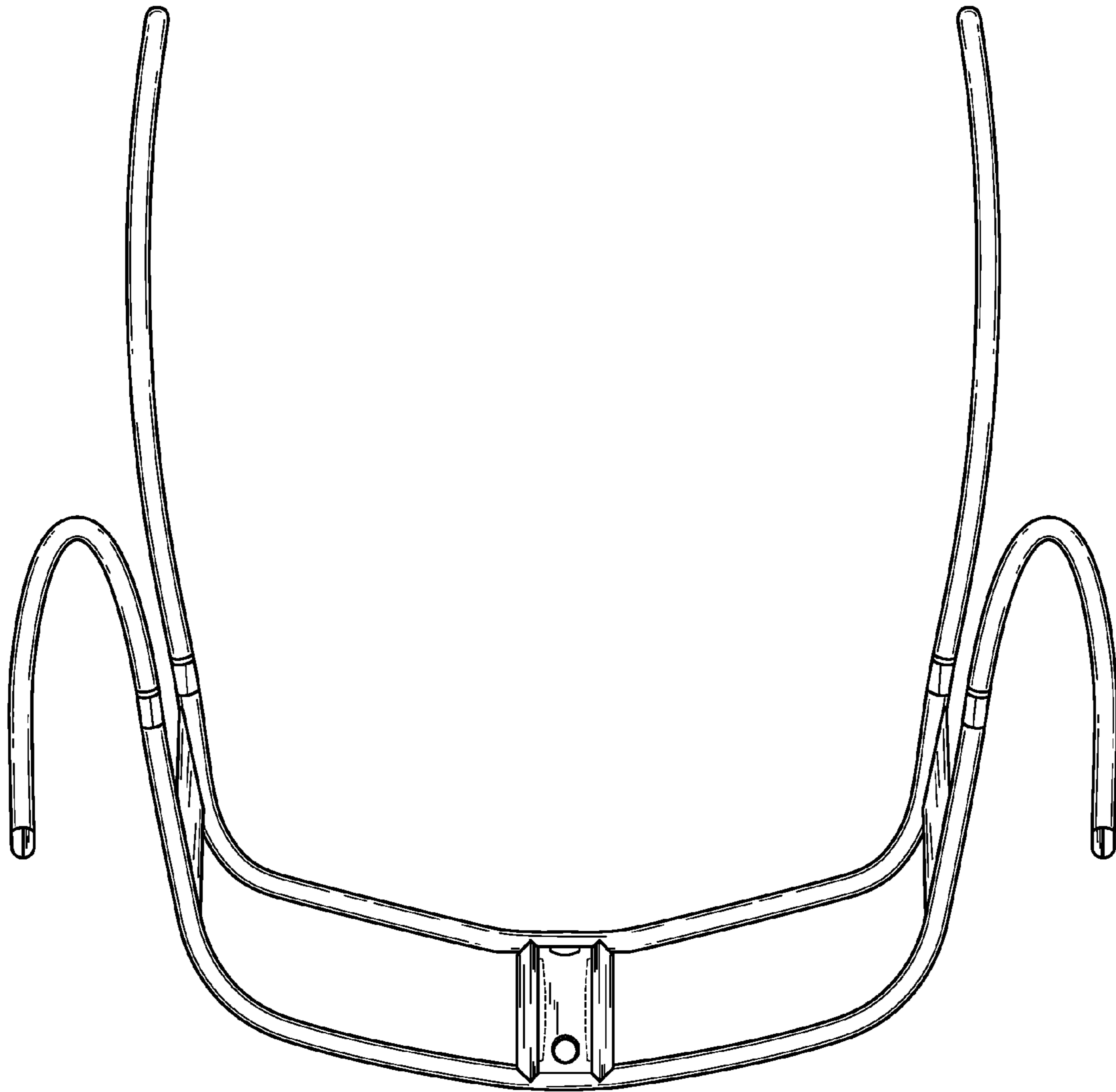


FIG. 6



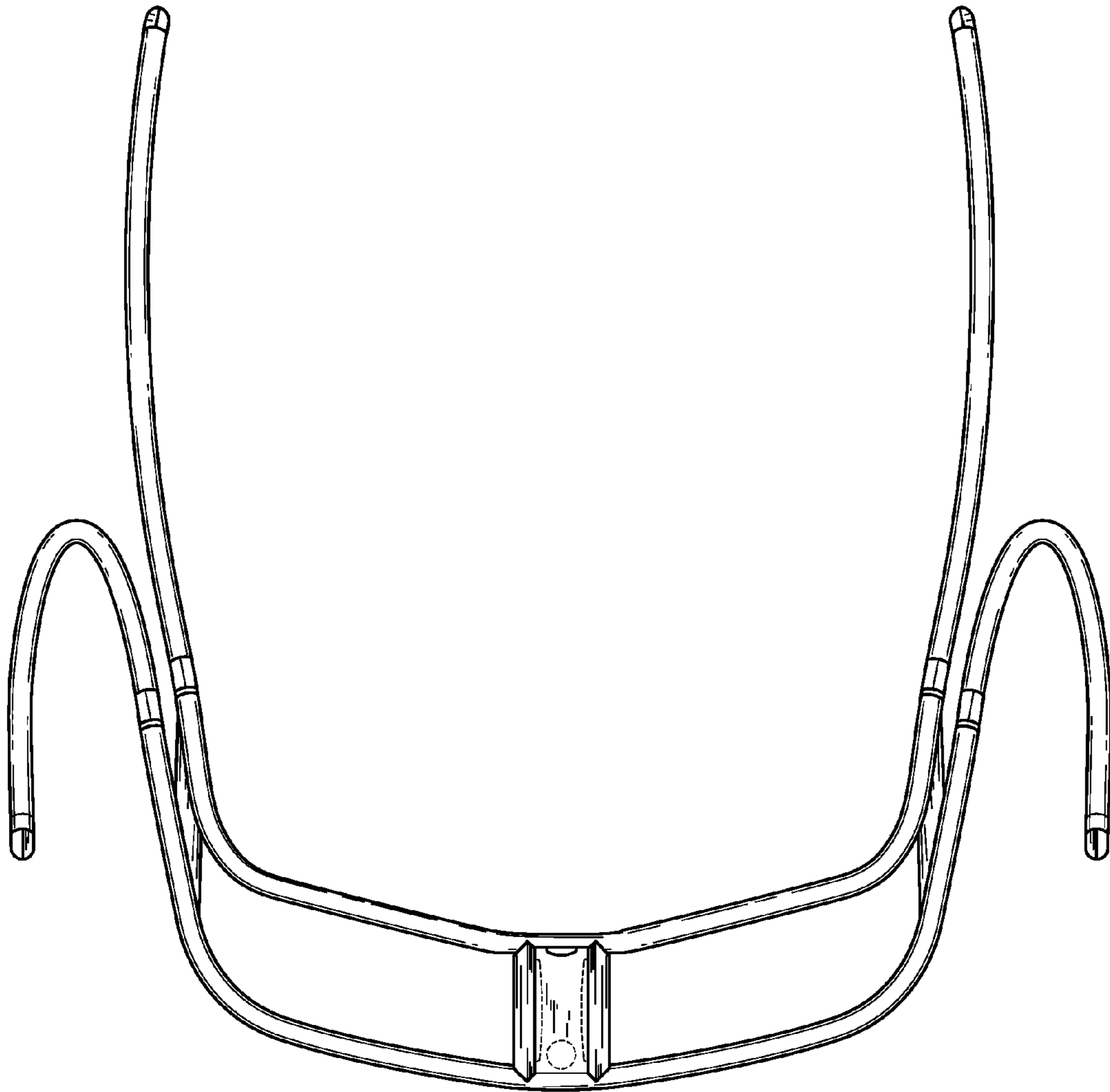


FIG. 7