



US00D648664S

(12) **United States Design Patent**
Faghihzadeh

(10) **Patent No.:** **US D648,664 S**
(45) **Date of Patent:** **** Nov. 15, 2011**

(54) **WHEEL OR WHEEL COVER**
(75) **Inventor:** **Nader Faghihzadeh, Munich (DE)**
(73) **Assignee:** **Bayerische Motoren Werke Aktiengesellschaft, Munich (DE)**
(**) **Term:** **14 Years**
(21) **Appl. No.:** **29/387,419**
(22) **Filed:** **Mar. 14, 2011**

D621,770 S 8/2010 Pollmann
D622,649 S 8/2010 Weil
D624,862 S * 10/2010 Zhao D12/209
D635,499 S 4/2011 Nissl

FOREIGN PATENT DOCUMENTS

EM 000861042-0001 3/2008
EM 001598277-0001 1/2010
EM 001558883-0007 4/2010
EM 001658154-0002 5/2010
EM 001636978-0009 11/2010
EM 001636978-0018 11/2010
EM 001754953-0004 1/2011

* cited by examiner

Primary Examiner — Stacia Cadmus
(74) *Attorney, Agent, or Firm* — Crowell & Moring LLP

(30) **Foreign Application Priority Data**
Sep. 15, 2010 (DE) 402010004976
(51) **LOC (9) Cl.** **12-16**
(52) **U.S. Cl.** **D12/209**
(58) **Field of Classification Search** D12/204-213;
301/37.101, 64.101, 65, 64.201
See application file for complete search history.

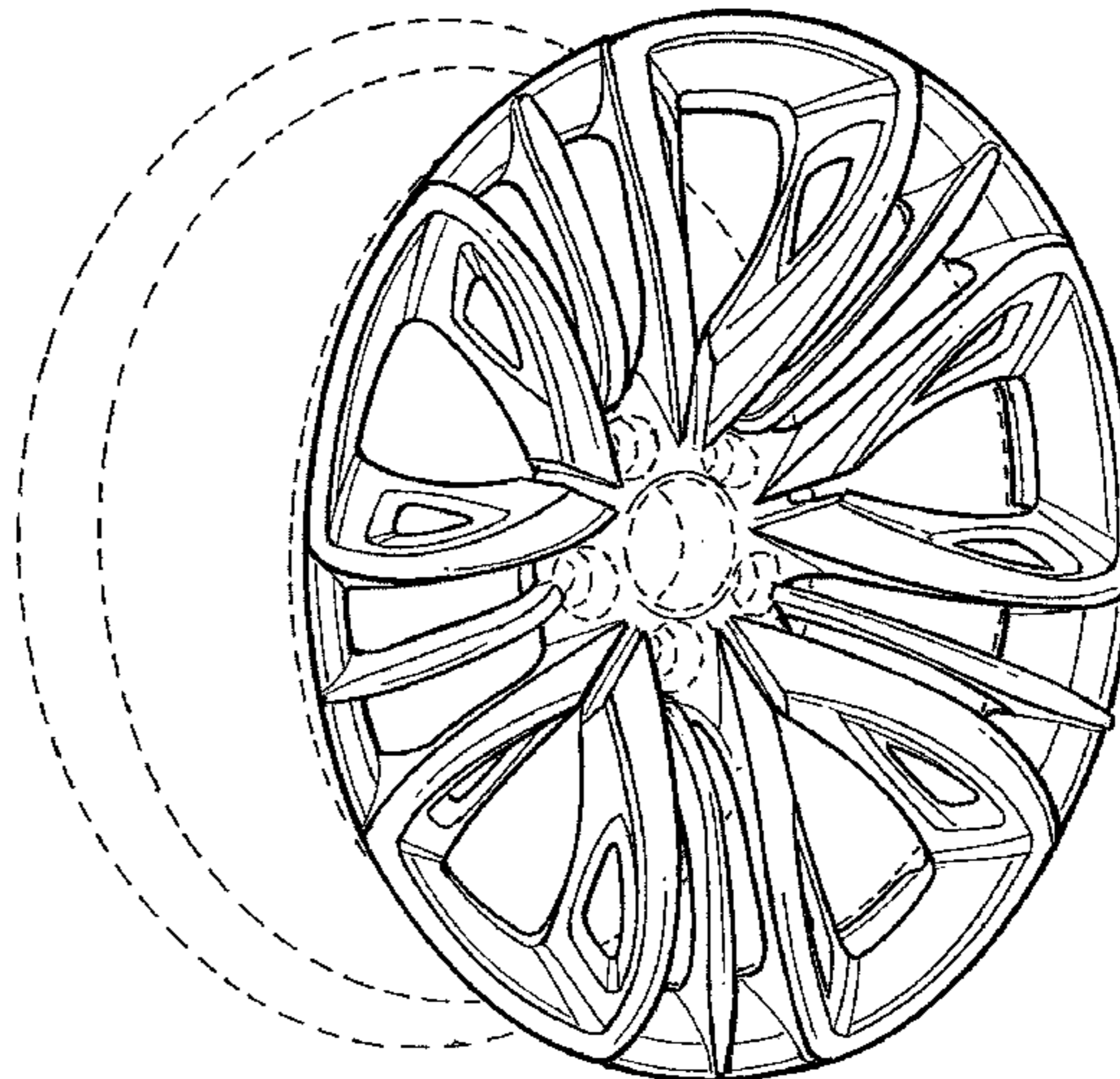
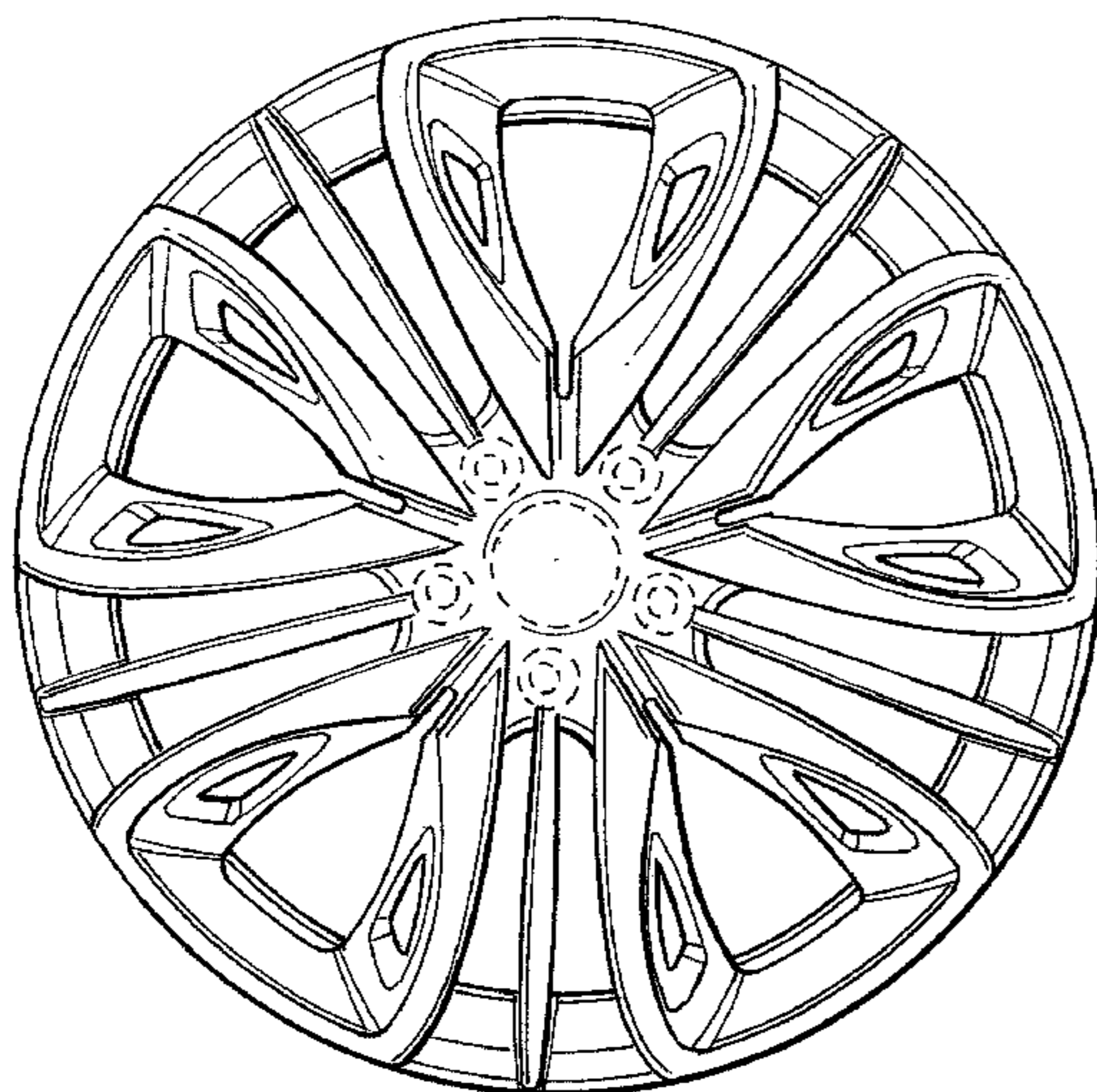
(57) **CLAIM**
The ornamental design for a wheel or wheel cover, as shown and described.

DESCRIPTION

FIG. 1 is a front view of a wheel or wheel cover according to my design; and,
FIG. 2 is a perspective view thereof.
The broken line showing of the rear of the wheel, and the bolt holes and the center hole in the central hub area is included for the purpose of illustrating environment and forms no part of the claimed design.

(56) **References Cited**
U.S. PATENT DOCUMENTS
D528,957 S * 9/2006 Kim D12/209
D528,959 S * 9/2006 Sycha D12/209
D567,738 S * 4/2008 Habib et al. D12/211
D612,787 S 3/2010 Juergens et al.
D618,151 S 6/2010 Junker
D620,870 S 8/2010 Powell

1 Claim, 1 Drawing Sheet



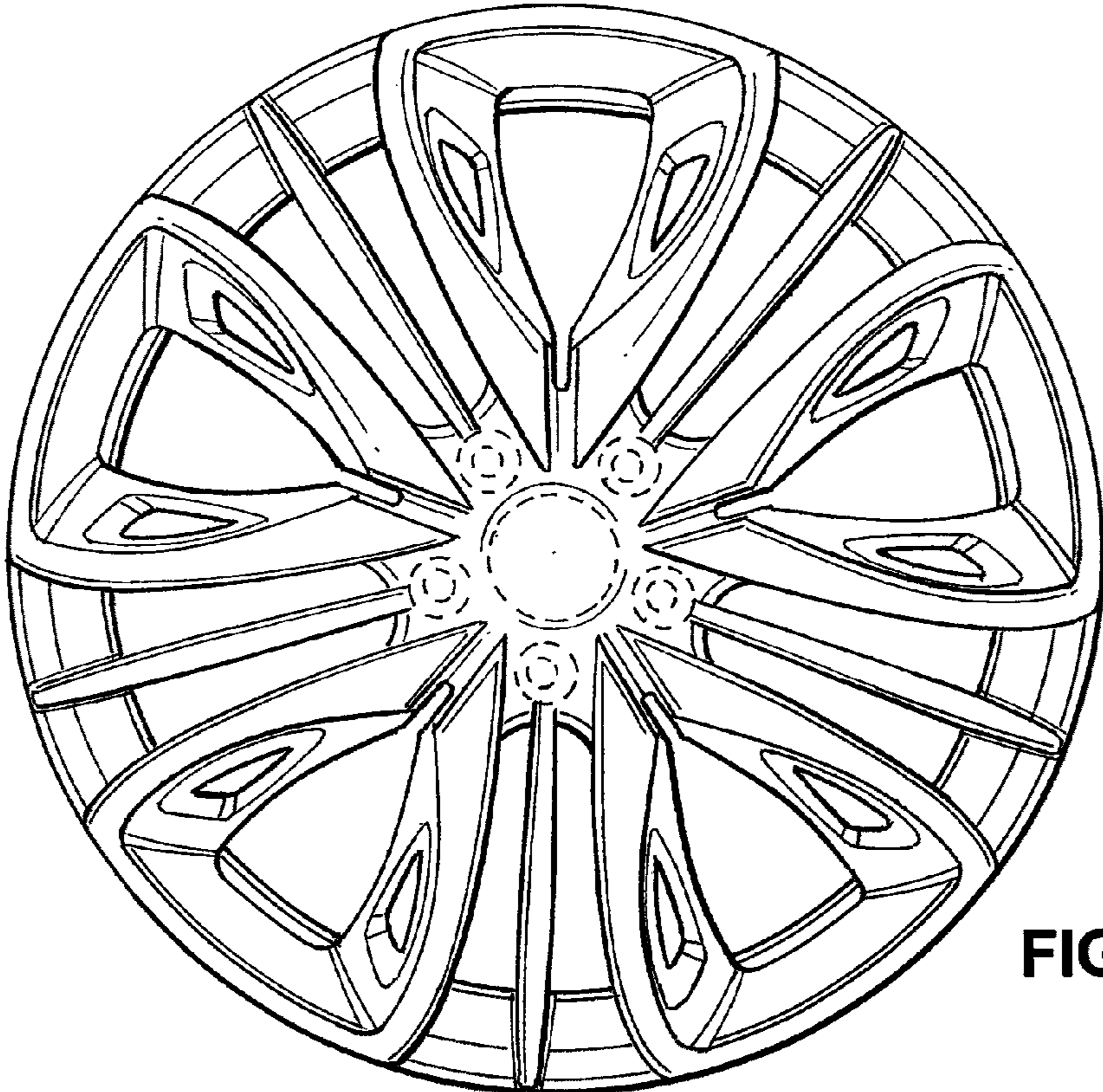


FIG. 1

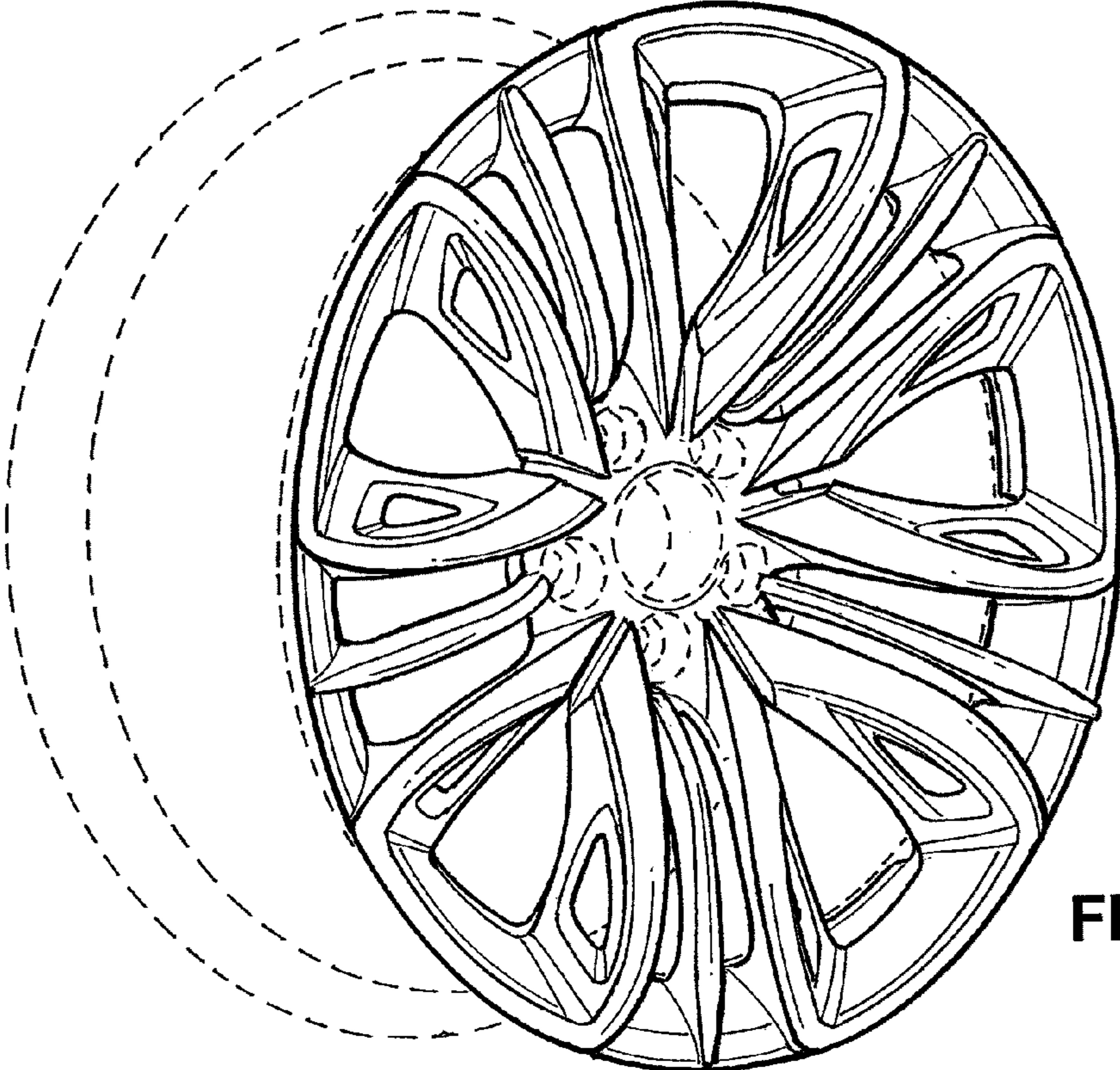


FIG. 2