



US00D648662S

(12) **United States Design Patent**
Stephenson

(10) **Patent No.:** **US D648,662 S**

(45) **Date of Patent:** **** Nov. 15, 2011**

(54) **AIR VENT**

(75) Inventor: **Frank Stephenson**, Hurley (GB)

(73) Assignee: **McLaren Automotive Limited**, Woking,
Surrey (GB)

(**) Term: **14 Years**

(21) Appl. No.: **29/357,081**

(22) Filed: **Mar. 5, 2010**

(30) **Foreign Application Priority Data**

Sep. 8, 2009 (EP) 001608969

(51) **LOC (9) Cl.** **12-16**

(52) **U.S. Cl.** **D12/192**

(58) **Field of Classification Search** D12/192,
D12/415, 110, 114; 180/90; 280/750-752;
296/190.01-190.09, 191, 70; D15/17, 28;
D10/46, 98, 102-103, 122-127
See application file for complete search history.

(56) **References Cited**

U.S. PATENT DOCUMENTS

D308,570 S * 6/1990 Twito D23/354
D370,723 S * 6/1996 Nishizawa D23/387
D382,279 S * 8/1997 Goebert et al. D15/31

D417,267 S * 11/1999 Sacco et al. D23/327
D485,899 S * 1/2004 Marshall D23/411
D508,122 S * 8/2005 Murphy D23/387
D535,732 S * 1/2007 Klopp, III D23/327
D542,898 S * 5/2007 Juraschek D23/327
D578,454 S * 10/2008 Wyszogrod et al. D12/192
D603,782 S * 11/2009 Wilhelm D12/415
D608,432 S * 1/2010 Aruga et al. D23/358

* cited by examiner

Primary Examiner — Caron D Veynar

Assistant Examiner — Katrina Kile

(74) *Attorney, Agent, or Firm* — James F. Hann; Haynes
Beffel & Wolfeld LLP

(57) **CLAIM**

The ornamental design for an air vent, as shown and described.

DESCRIPTION

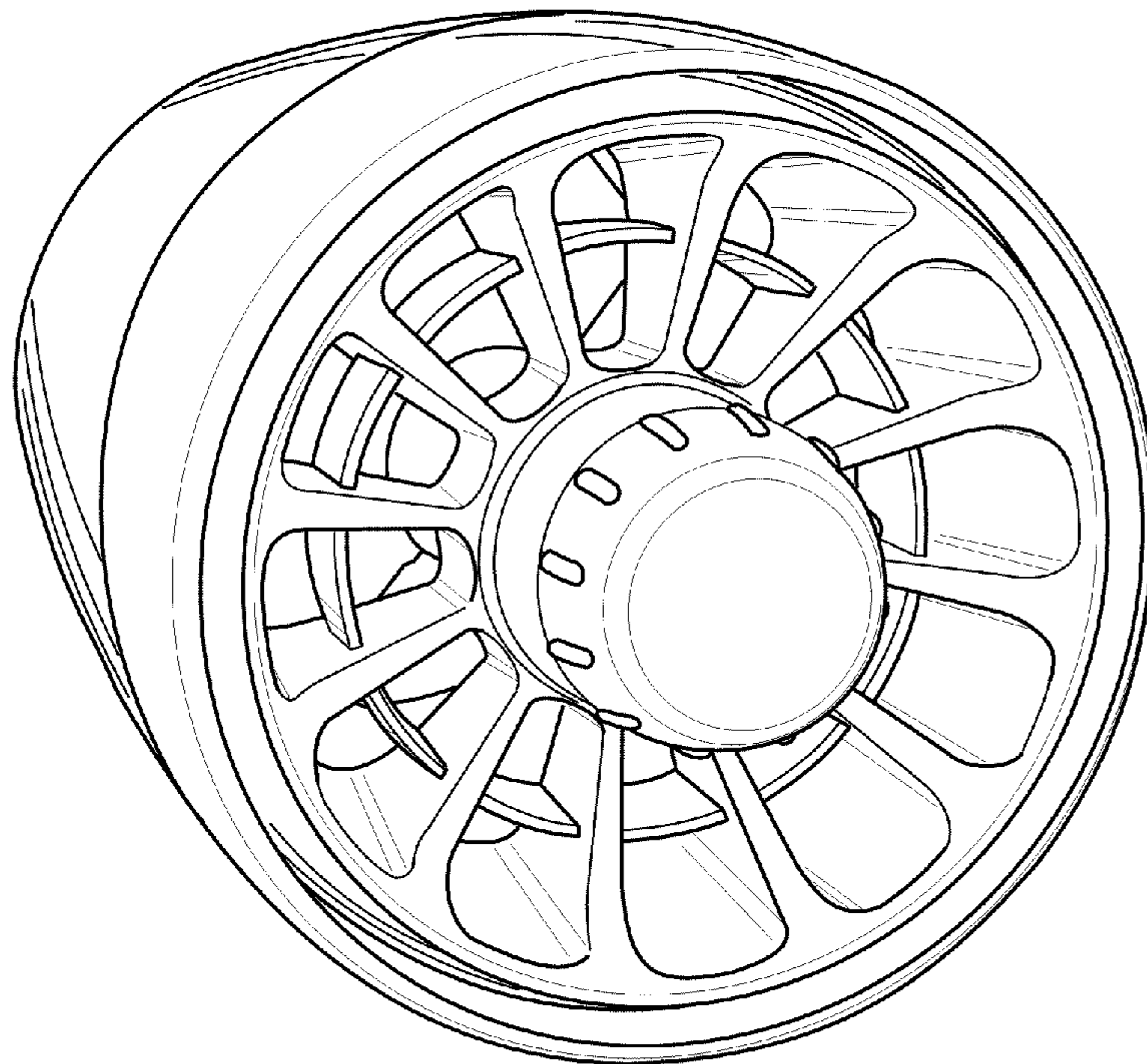
FIG. 1 is a front, left side, top perspective view of an air vent showing my new design;

FIG. 2 is a front, right side perspective view thereof; and,

FIG. 3 is a front, left side, bottom perspective view thereof.

The invention of FIG. 1 is shown together with environmental structure in the dashed lines in FIGS. 2 and 3, the environmental structure forming no part of the claimed design.

1 Claim, 2 Drawing Sheets



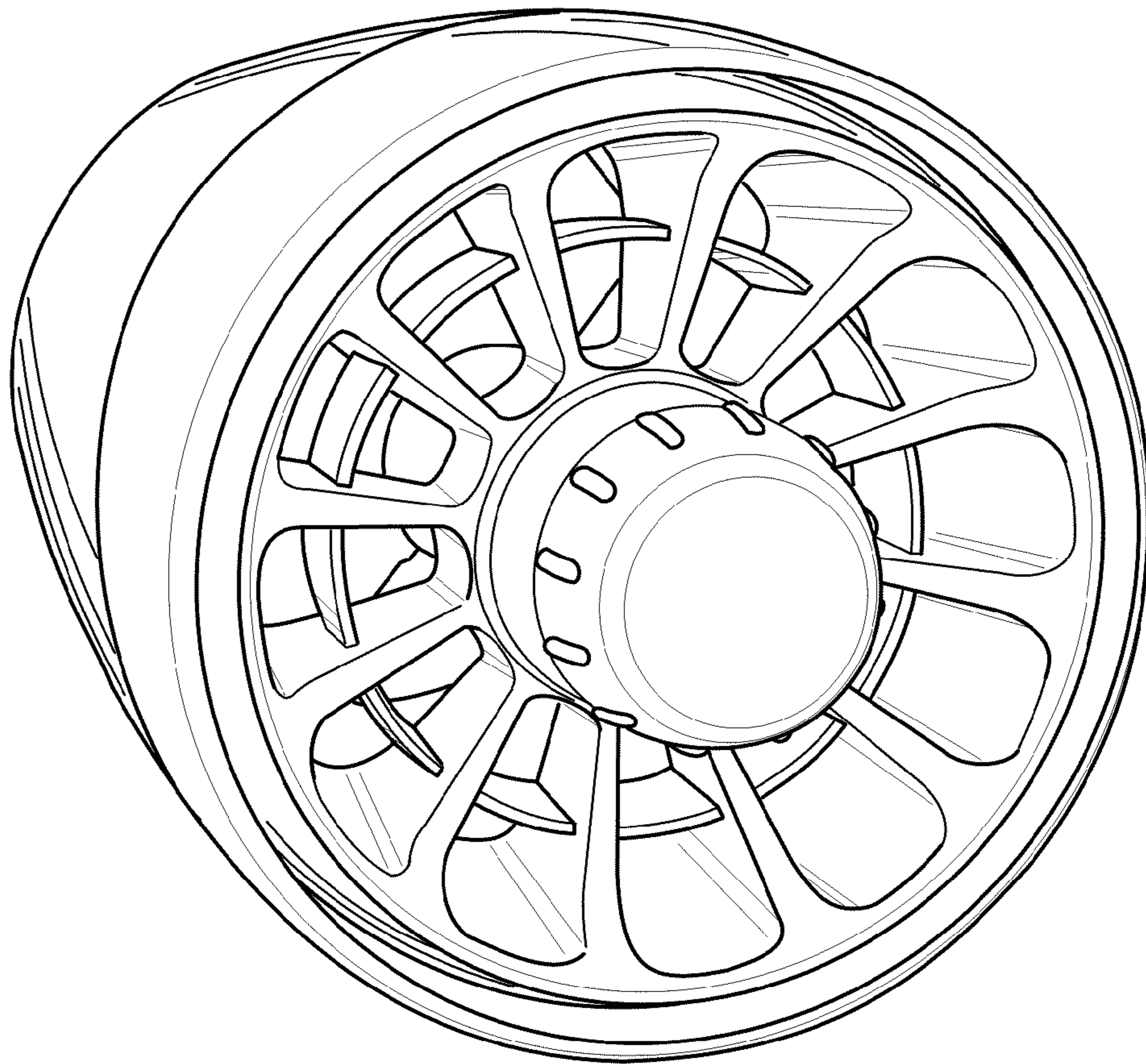


Fig. 1

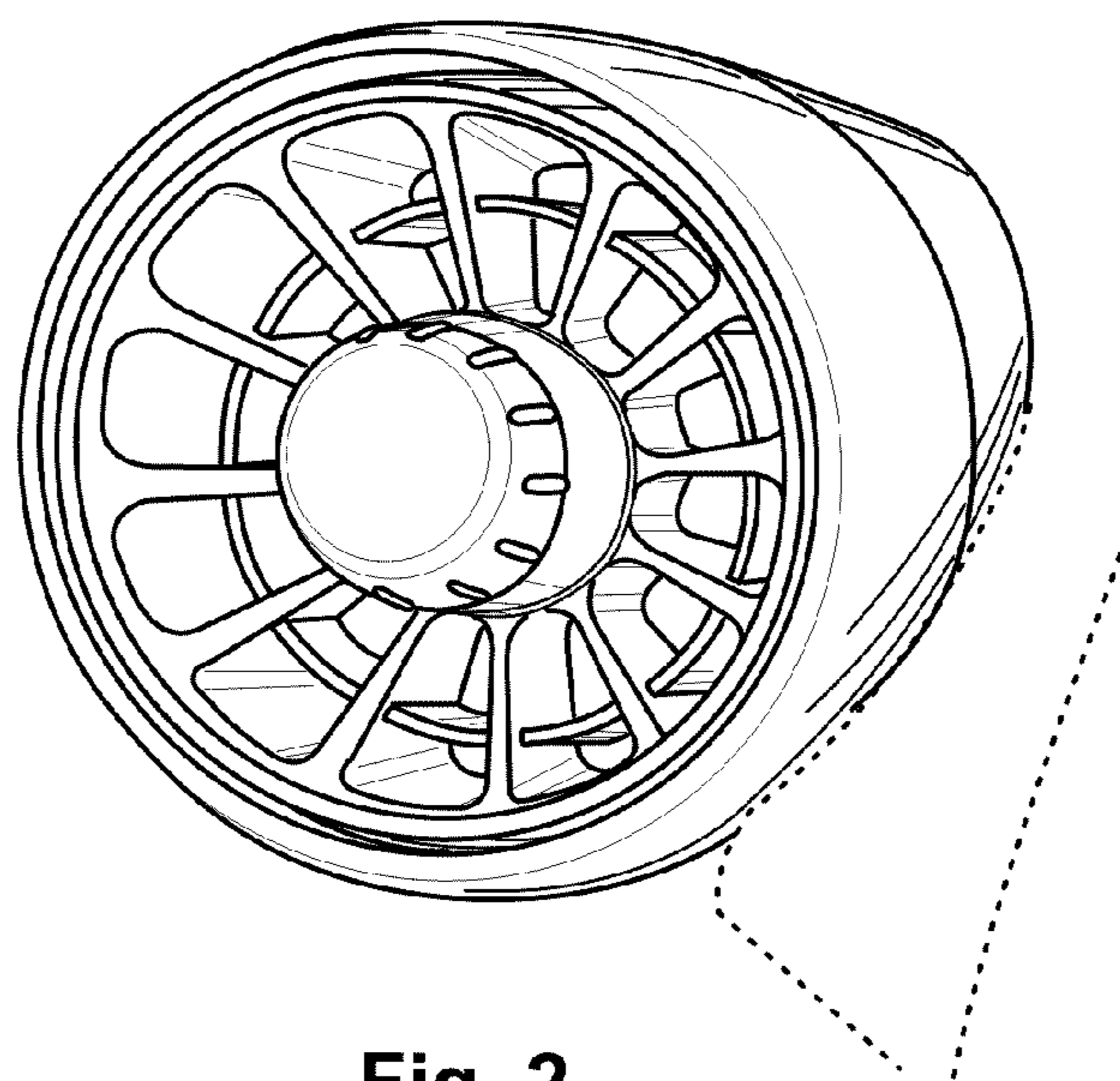


Fig. 2

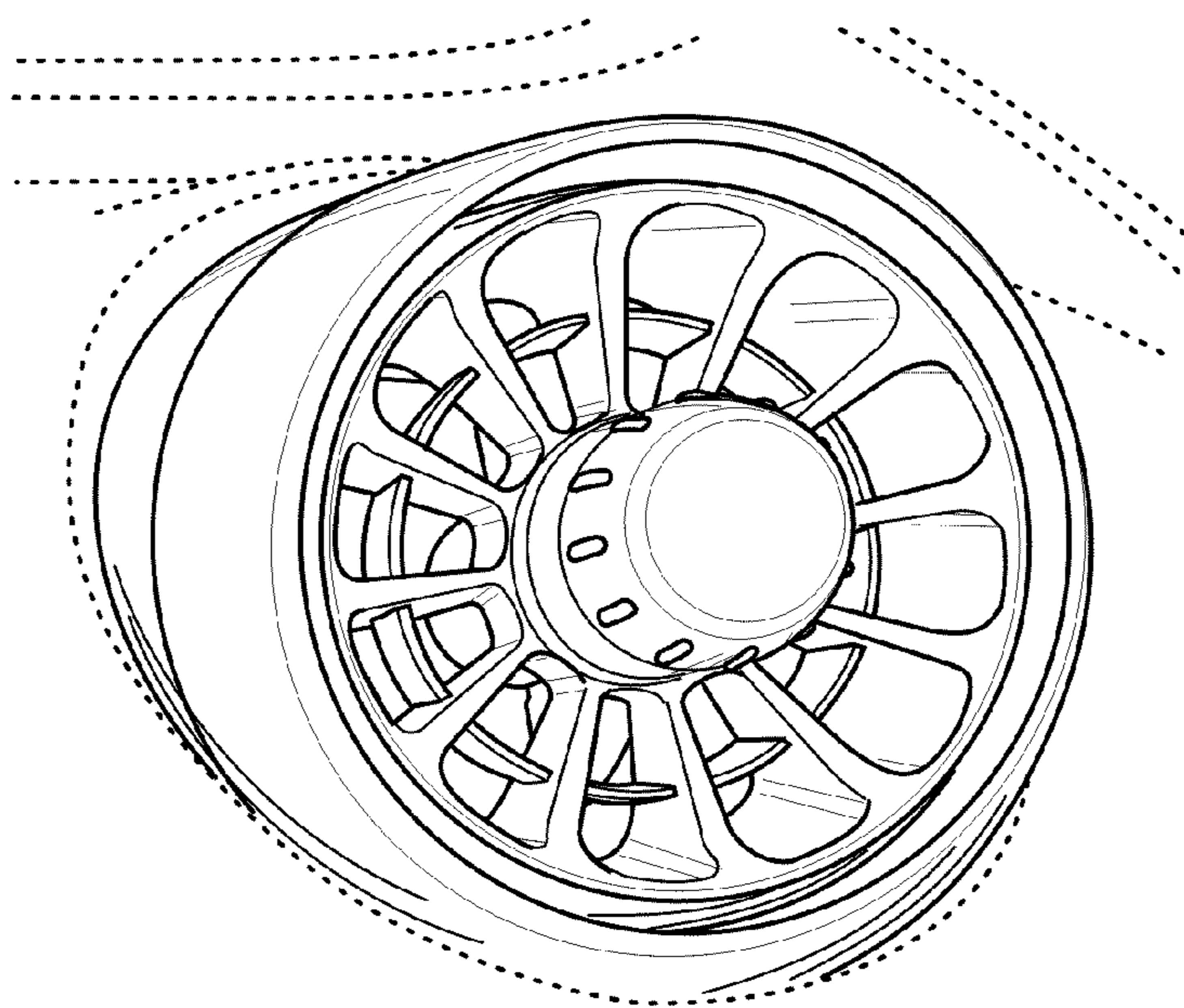


Fig. 3