



US00D648661S

(12) **United States Design Patent**
Sullivan et al.

(10) **Patent No.:** **US D648,661 S**
(45) **Date of Patent:** **** Nov. 15, 2011**

(54) **TRAILER HITCH COVER**

(76) Inventors: **Jeffery Sullivan**, Maud, TX (US);
DeAnna Sullivan, Maud, TX (US)

(**) Term: **14 Years**

(21) Appl. No.: **29/379,030**

(22) Filed: **Nov. 12, 2010**

(51) **LOC (9) Cl.** **12-16**

(52) **U.S. Cl.** **D12/162**

(58) **Field of Classification Search** D12/159,
D12/160, 161, 162; 56/DIG. 14; 37/399;
280/406.2, 407, 407.1, 408, 411.1, 416.1,
280/416.2, 416.3, 418, 418.1, 433, 434, 435,
280/441.1, 441.2, 455.1, 456.1, 480, 493,
280/504, 508; 224/42.11, 42.12, 42.14, 42.26,
224/400, 401, 412, 413, 488, 494, 500-501

See application file for complete search history.

(56) **References Cited**

U.S. PATENT DOCUMENTS

D60,525 S *	3/1922	Gaskill	D20/29
D257,233 S *	10/1980	Turner	D10/6
D267,160 S *	12/1982	Tomasello	D11/81
D350,698 S *	9/1994	Nunes	D10/6
D415,080 S	10/1999	Schultz		
D419,505 S	1/2000	Deerman		
D430,519 S	9/2000	Beauvais		
D458,195 S	6/2002	Beauvais		
D462,303 S	9/2002	Swiggart		
D471,137 S	3/2003	Shepherd et al.		
D479,819 S	9/2003	Arehart et al.		
6,655,822 B1	12/2003	Sylvester		
D485,218 S	1/2004	Bentley		
D514,479 S	2/2006	Wang		
D519,424 S	4/2006	Fisher		

D522,386 S *	6/2006	Ahmed	D10/6
D529,418 S	10/2006	Muhl nickel		
7,137,516 B2	11/2006	Perry		
D551,378 S *	9/2007	Nunes	D26/73
D558,101 S	12/2007	Dringenberg		
D563,838 S	3/2008	McCowan		
D576,694 S *	9/2008	Hanes, III	D21/714
D581,842 S	12/2008	Skogen		
D602,416 S	10/2009	Corwin		
D609,139 S	2/2010	Luckey		
D612,774 S	3/2010	Gordon		

* cited by examiner

Primary Examiner — T. Chase Nelson

Assistant Examiner — Michael Pratt

(74) *Attorney, Agent, or Firm* — Garlitz Bell, L.L.P.; Corby Bell

(57) **CLAIM**

The ornamental design for a trailer hitch cover, as shown and described.

DESCRIPTION

FIG. 1 is a front perspective view of a trailer hitch cover showing our new design;

FIG. 2 is a front elevational view thereof;

FIG. 3 is a rear elevational view thereof;

FIG. 4 is a right side elevational view thereof, the left side being a mirror image of the right side shown in FIG. 4;

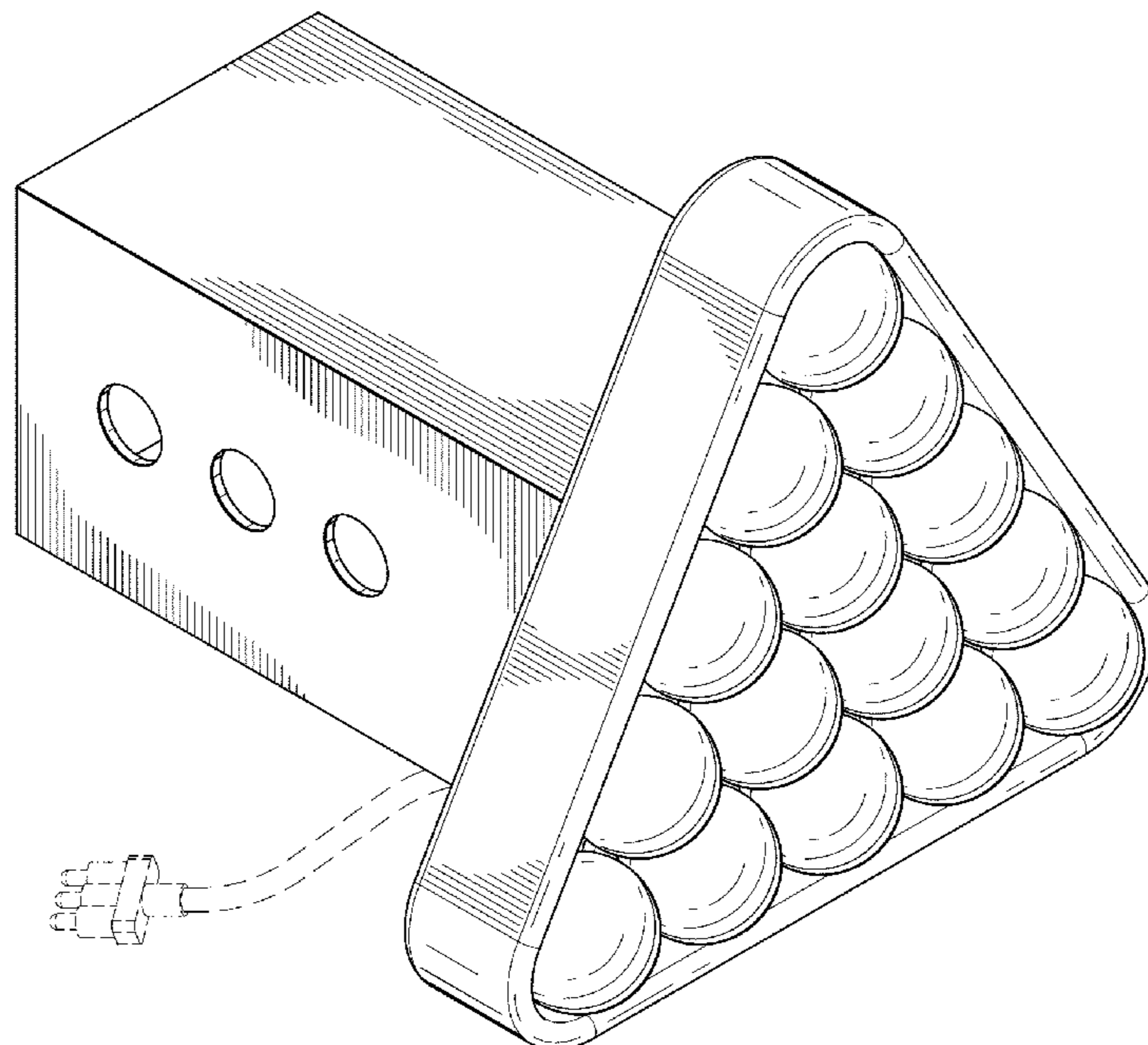
FIG. 5 is a top plan view thereof;

FIG. 6 is a bottom plan view thereof; and,

FIG. 7 is a front perspective view of a trailer hitch cover embodying the design of the present invention, shown in exploded condition.

The broken line showing of environment is for illustrative purposes only and forms no part of the claimed design.

1 Claim, 7 Drawing Sheets



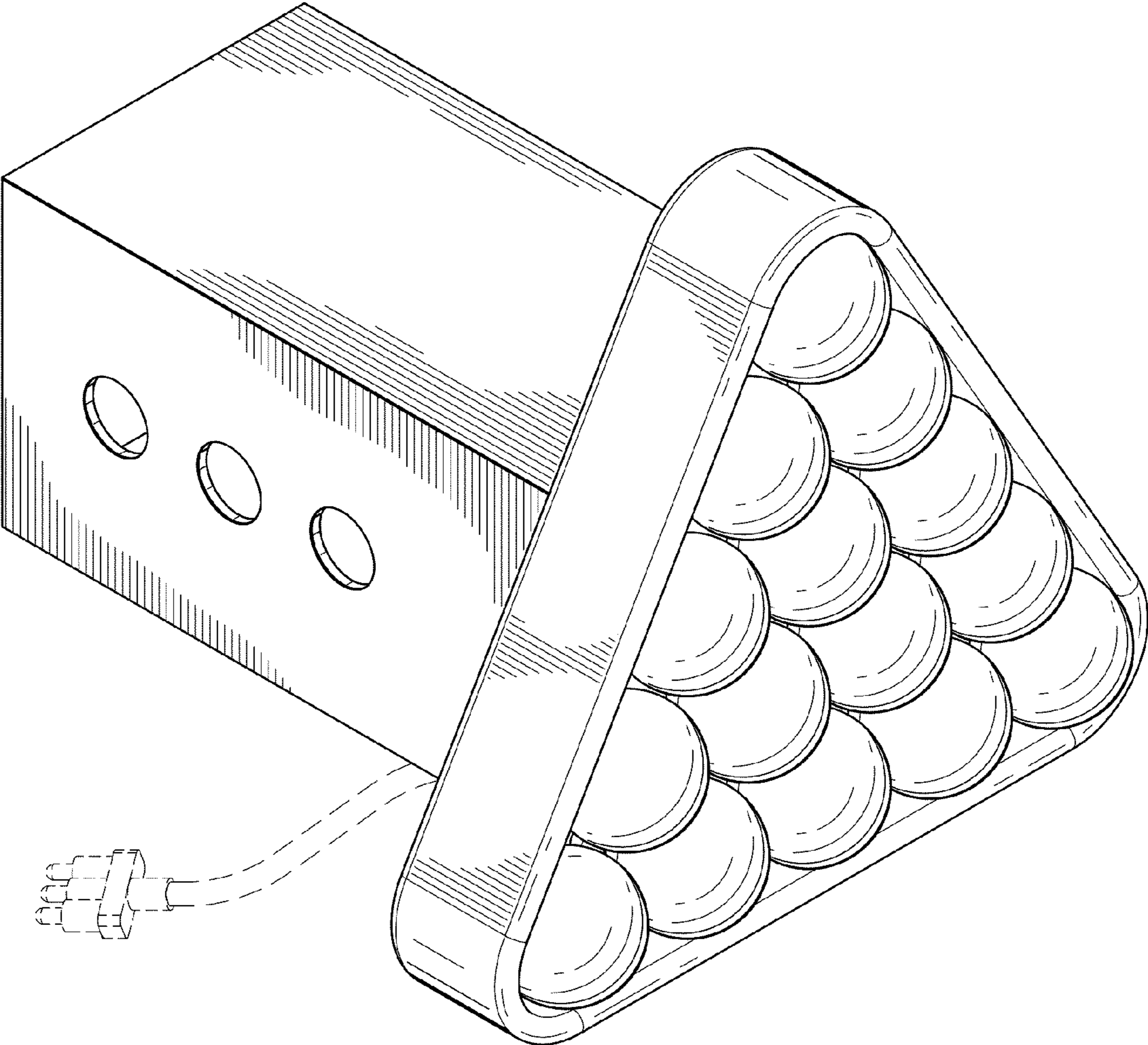


FIG. 1

FIG. 2

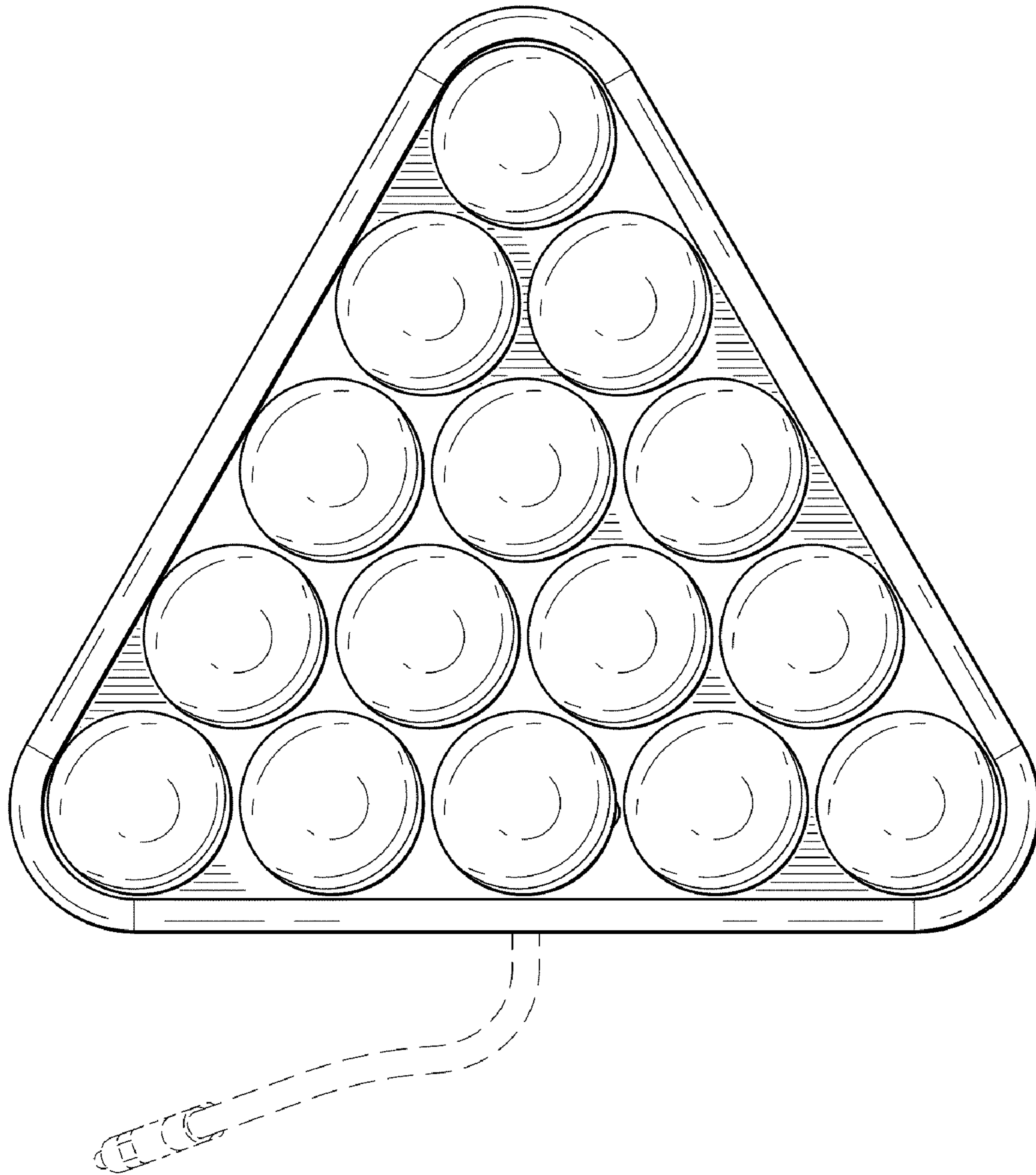


FIG. 3

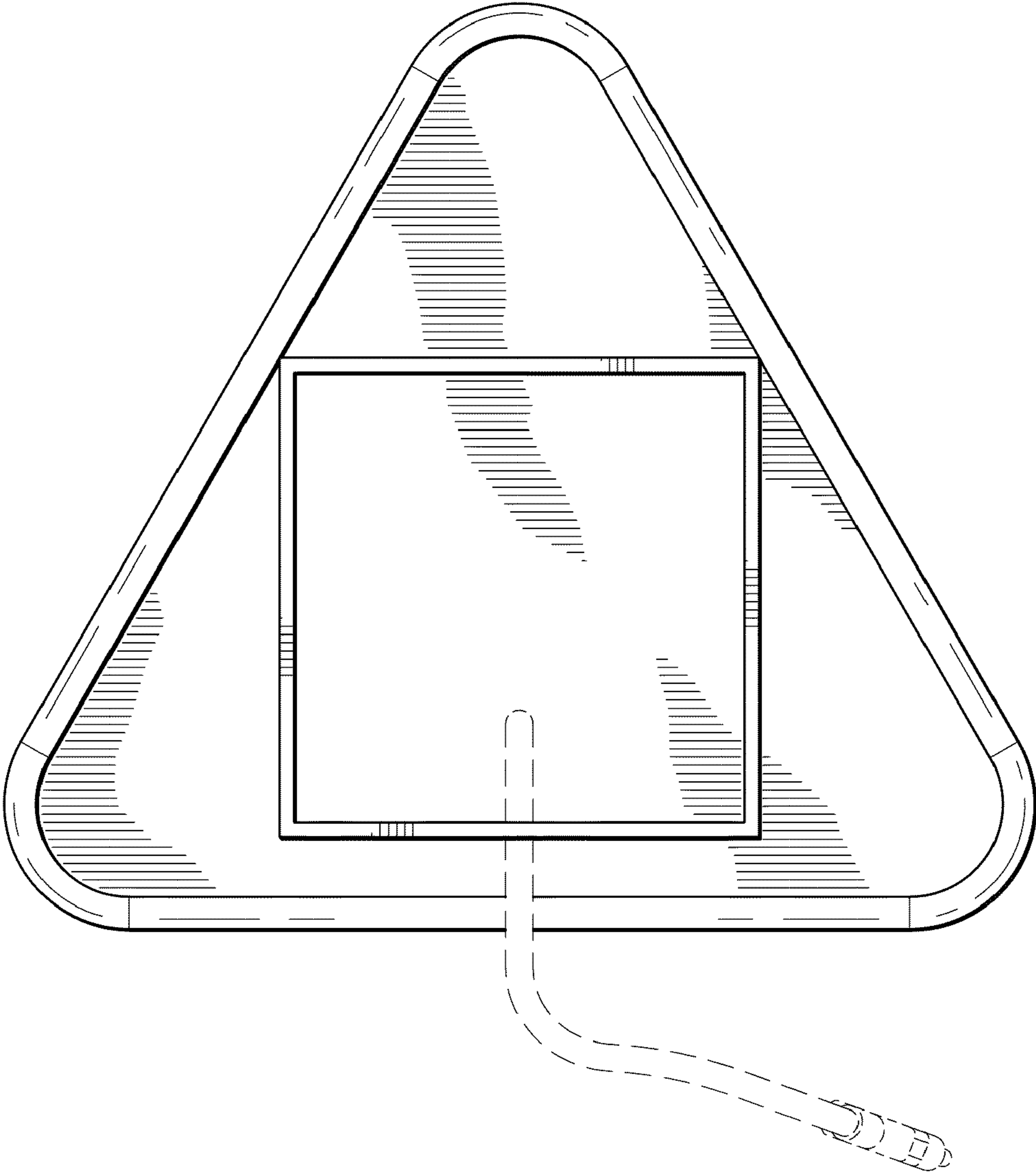
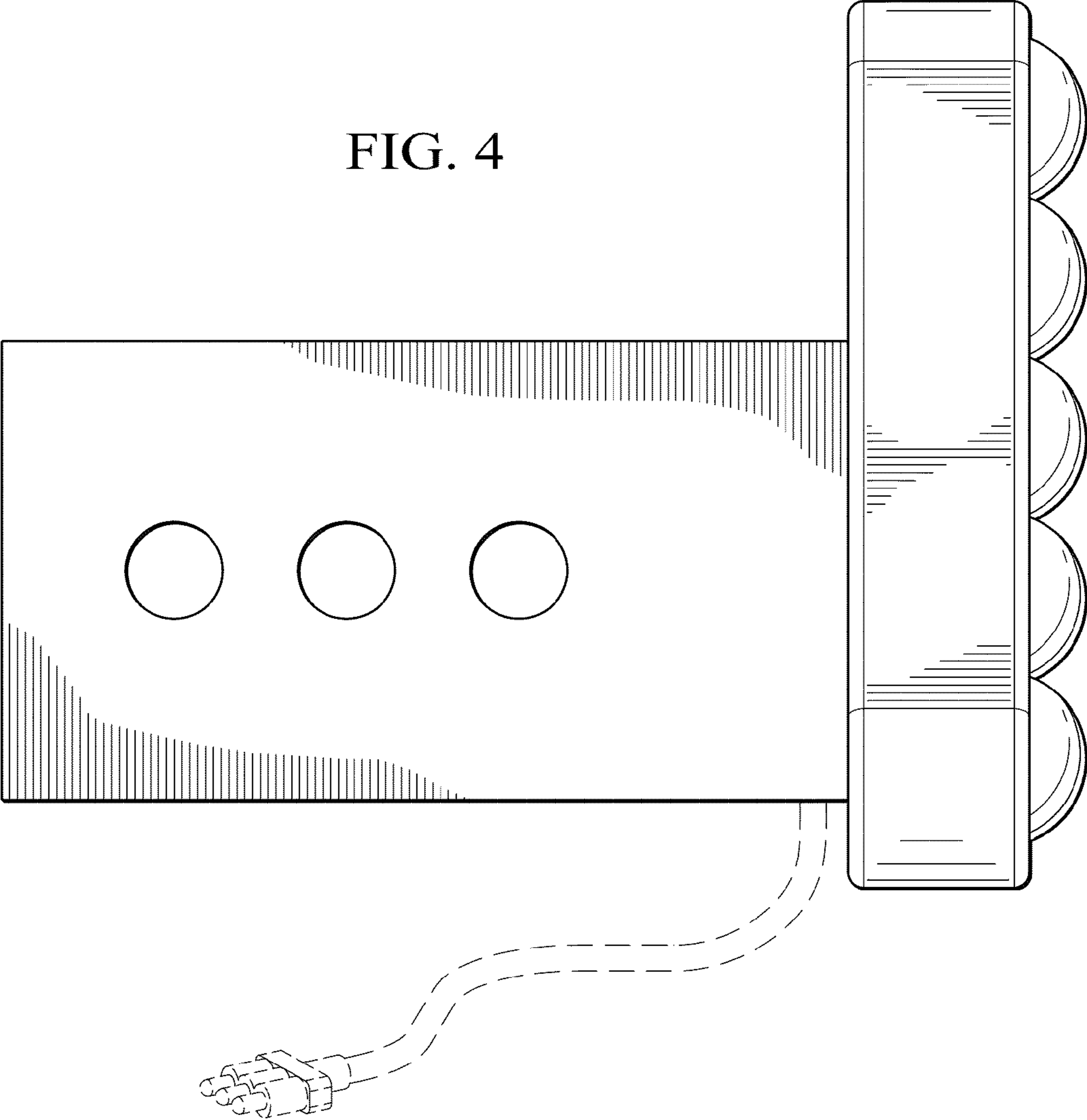


FIG. 4



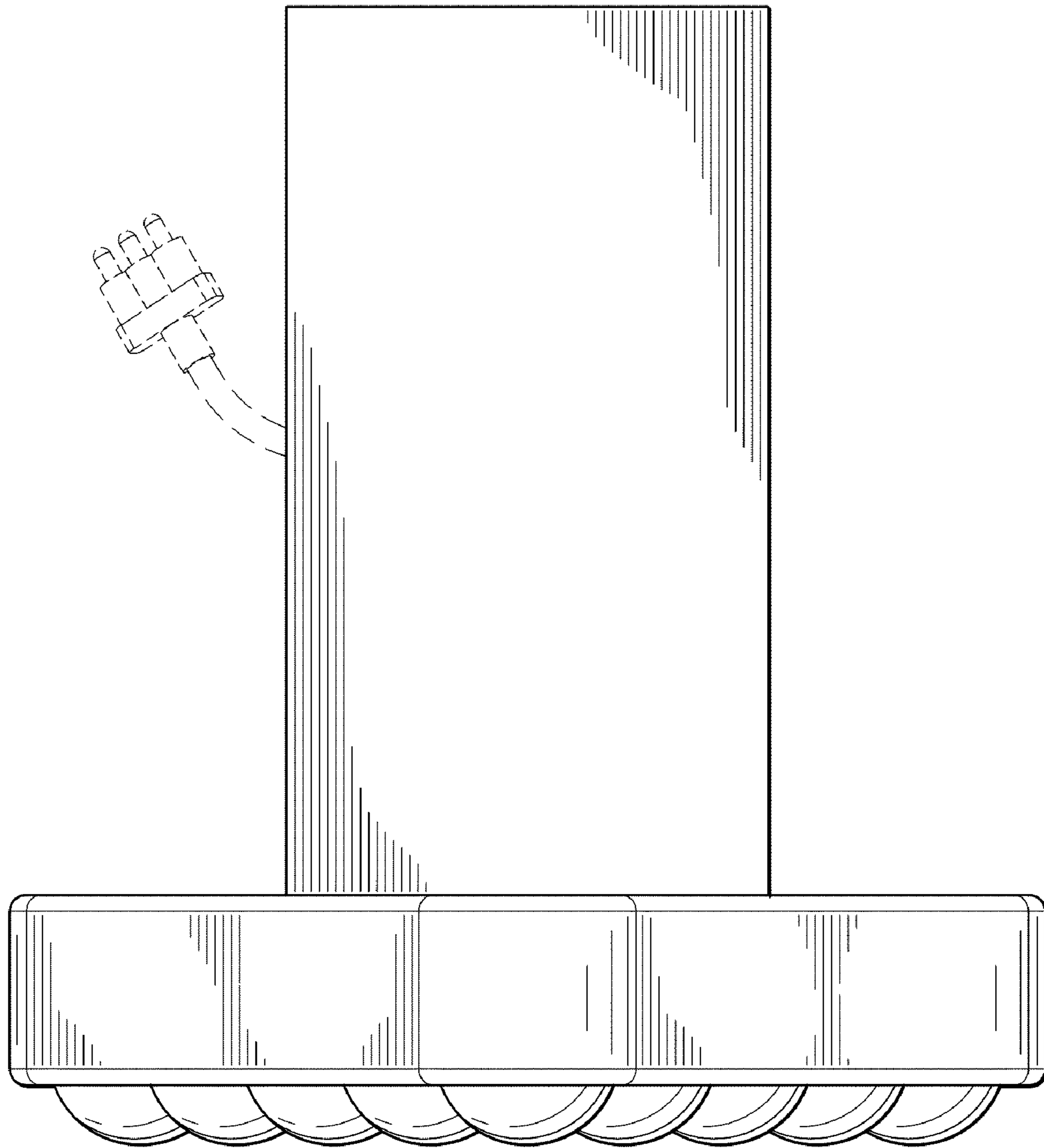


FIG. 5

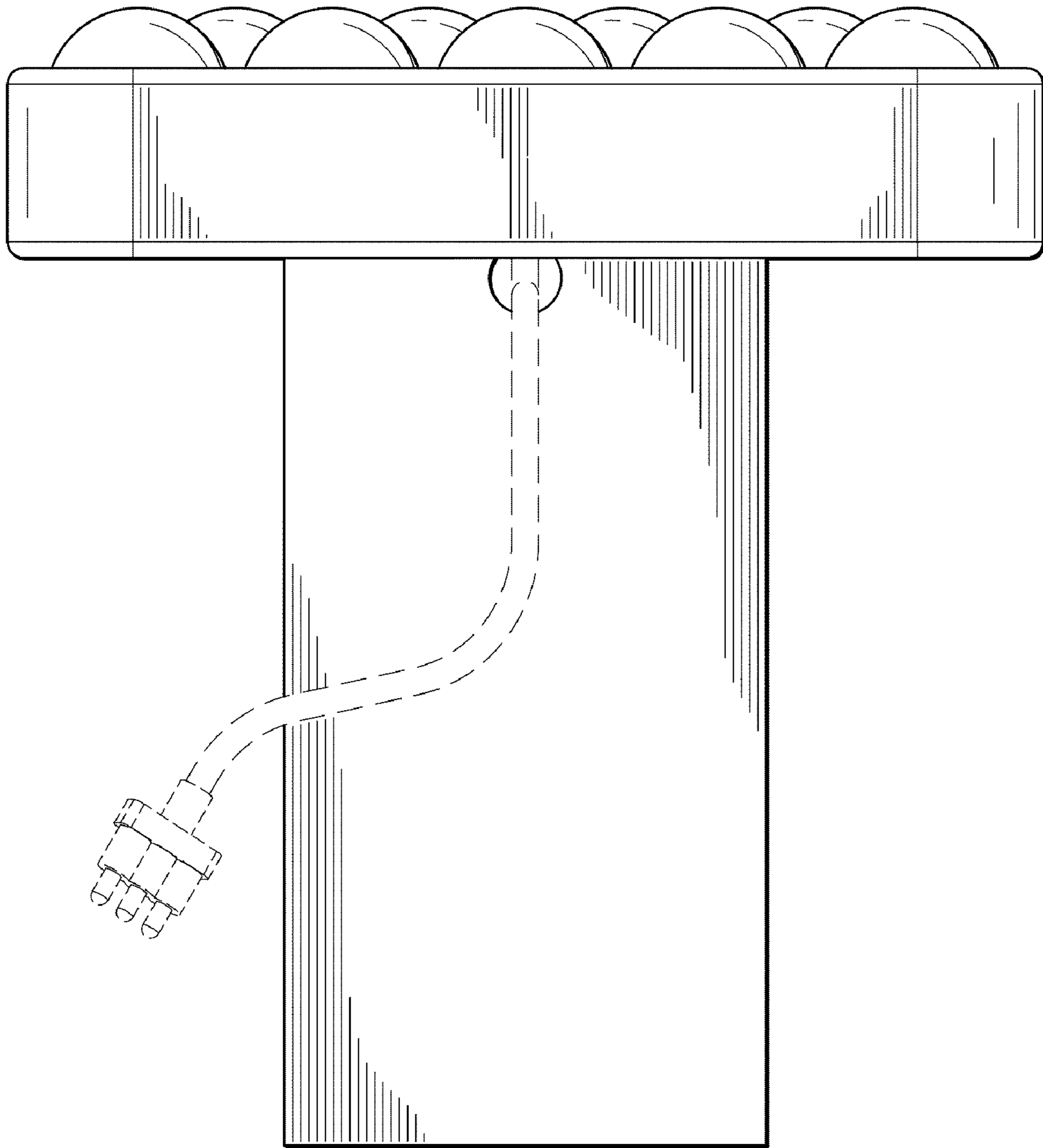


FIG. 6

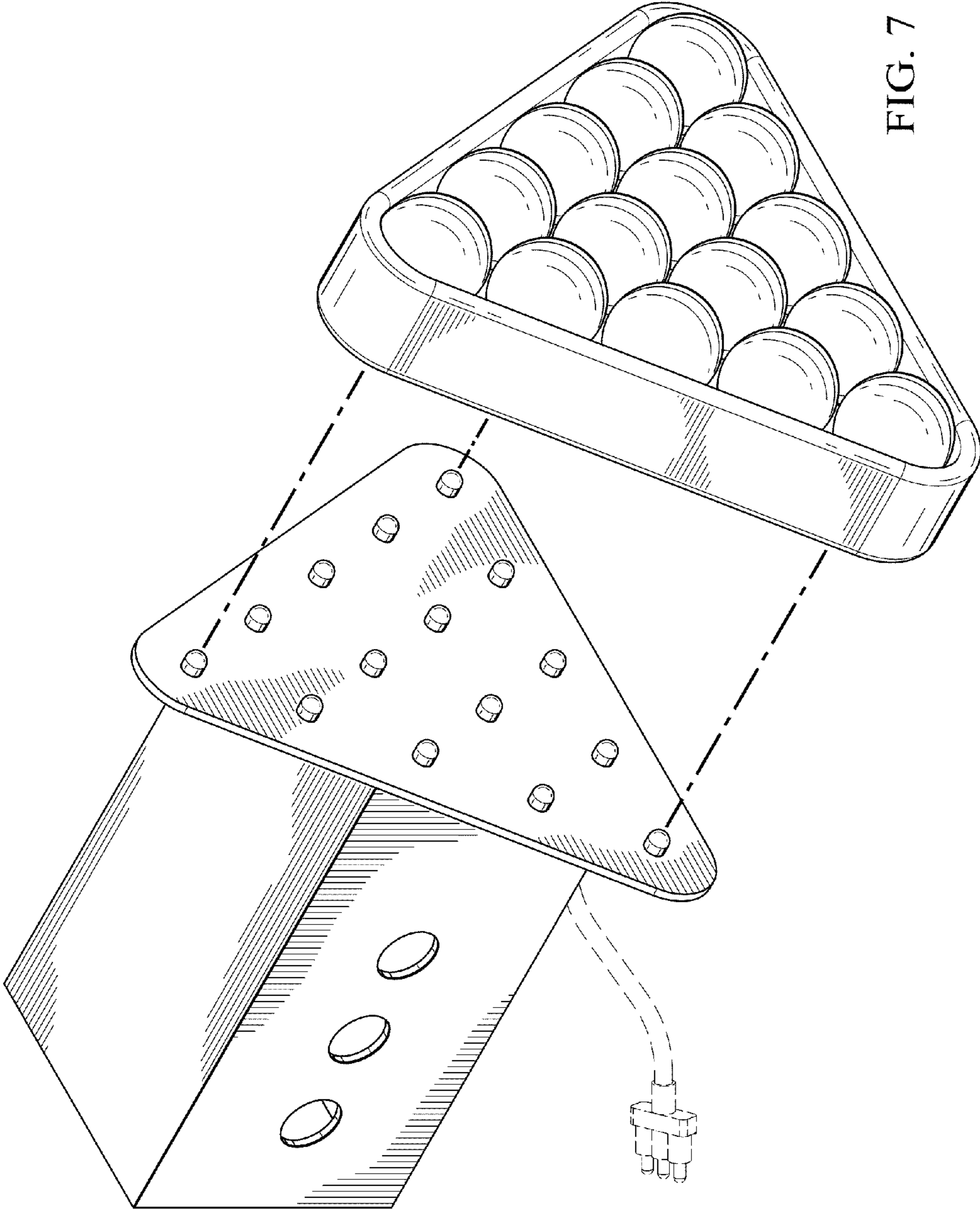


FIG. 7