



US00D648660S

(12) **United States Design Patent**
Jansen, III et al.

(10) **Patent No.:** **US D648,660 S**

(45) **Date of Patent:** **** Nov. 15, 2011**

(54) **PINTLE HOOK**

(75) Inventors: **Roger L. Jansen, III**, Holton, MI (US);
Jared D. Patterson, Hudsonville, MI (US)

(73) Assignee: **SAF-HOLLAND, Inc.**, Grand Rapids, MI (US)

(**) Term: **14 Years**

(21) Appl. No.: **29/375,149**

(22) Filed: **Sep. 17, 2010**

(51) **LOC (9) Cl.** **12-16**

(52) **U.S. Cl.** **D12/162**

(58) **Field of Classification Search** D12/161,
D12/162, 400; 280/504-507, 511, 512, 514,
280/483, 495; 293/117; 150/166
See application file for complete search history.

(56) **References Cited**

U.S. PATENT DOCUMENTS

2,124,839	A *	7/1938	Weiss	280/508
2,522,791	A *	9/1950	Ketel	280/506
2,842,380	A *	7/1958	Weiss	280/504
3,052,487	A *	9/1962	Harbers et al.	280/506
3,475,037	A *	10/1969	Weiss	280/504
3,963,266	A *	6/1976	Thelin	280/504
D279,179	S *	6/1985	Landry, Jr.	D12/162
D279,665	S *	7/1985	Landry, Jr.	D12/162
4,568,098	A *	2/1986	Landry, Jr.	280/416.1
4,758,015	A *	7/1988	Pixley	280/504
4,958,848	A *	9/1990	Nash	280/509
4,989,892	A *	2/1991	Kerins et al.	280/504
5,240,274	A *	8/1993	Blacklaw	280/504
5,332,250	A *	7/1994	Thorwall et al.	280/507
6,139,043	A *	10/2000	Gries et al.	280/504
D457,113	S *	5/2002	Zapushek et al.	D12/162

6,889,995	B2 *	5/2005	Staggs	280/507
7,192,046	B1 *	3/2007	Quernemoen	280/507
7,431,321	B2 *	10/2008	Terpsma et al.	280/514
D615,462	S *	5/2010	Barrette	D12/162
2005/0173893	A1 *	8/2005	Buckley et al.	280/504
2006/0244240	A1 *	11/2006	Nelson	280/512
2007/0145716	A1 *	6/2007	Schulze	280/483
2009/0295123	A1 *	12/2009	Good	280/490.1

* cited by examiner

Primary Examiner — Celia Murphy

Assistant Examiner — John Windmuller

(74) *Attorney, Agent, or Firm* — Price Heneveld LLP

(57) **CLAIM**

We claim the ornamental design of the pintle hook, as shown and described.

DESCRIPTION

FIG. 1 is a perspective view showing a front, top and side of a pintle hook;

FIG. 2 is an elevational view of a left side of the pintle hook;

FIG. 3 is an elevational view of a right side of the second embodiment of the pintle hook;

FIG. 4 is a front elevational view of the second embodiment of the pintle hook;

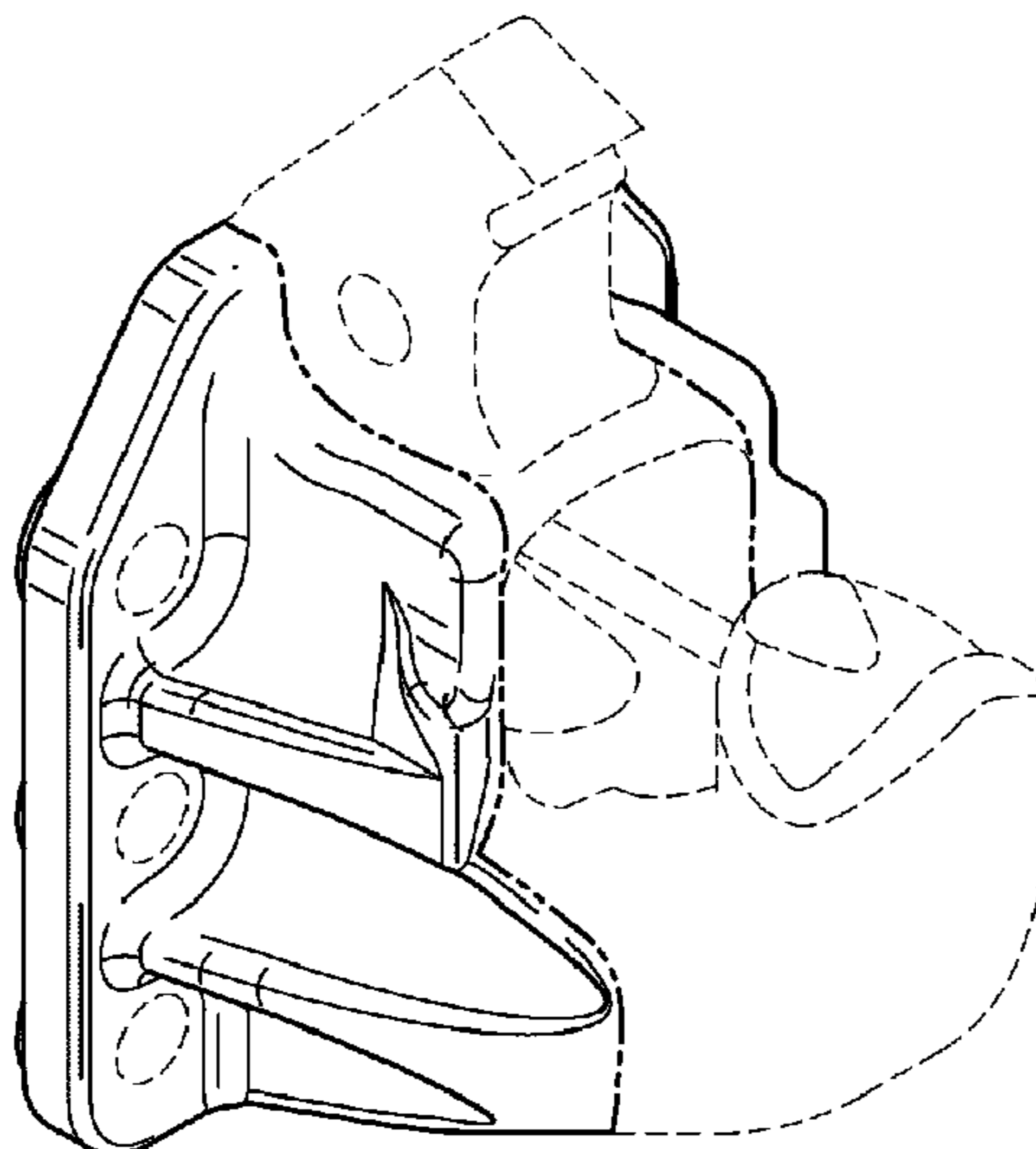
FIG. 5 is a rear elevational view of the second embodiment of the pintle hook;

FIG. 6 is a top plan view of the second embodiment of the pintle hook; and,

FIG. 7 is a bottom plan view of the second embodiment of the pintle hook.

The dot-dash lines in the figures show the boundary between claimed and unclaimed areas. The broken lines in the figures show portions of the pintle hook which form no part of the claimed design.

1 Claim, 2 Drawing Sheets



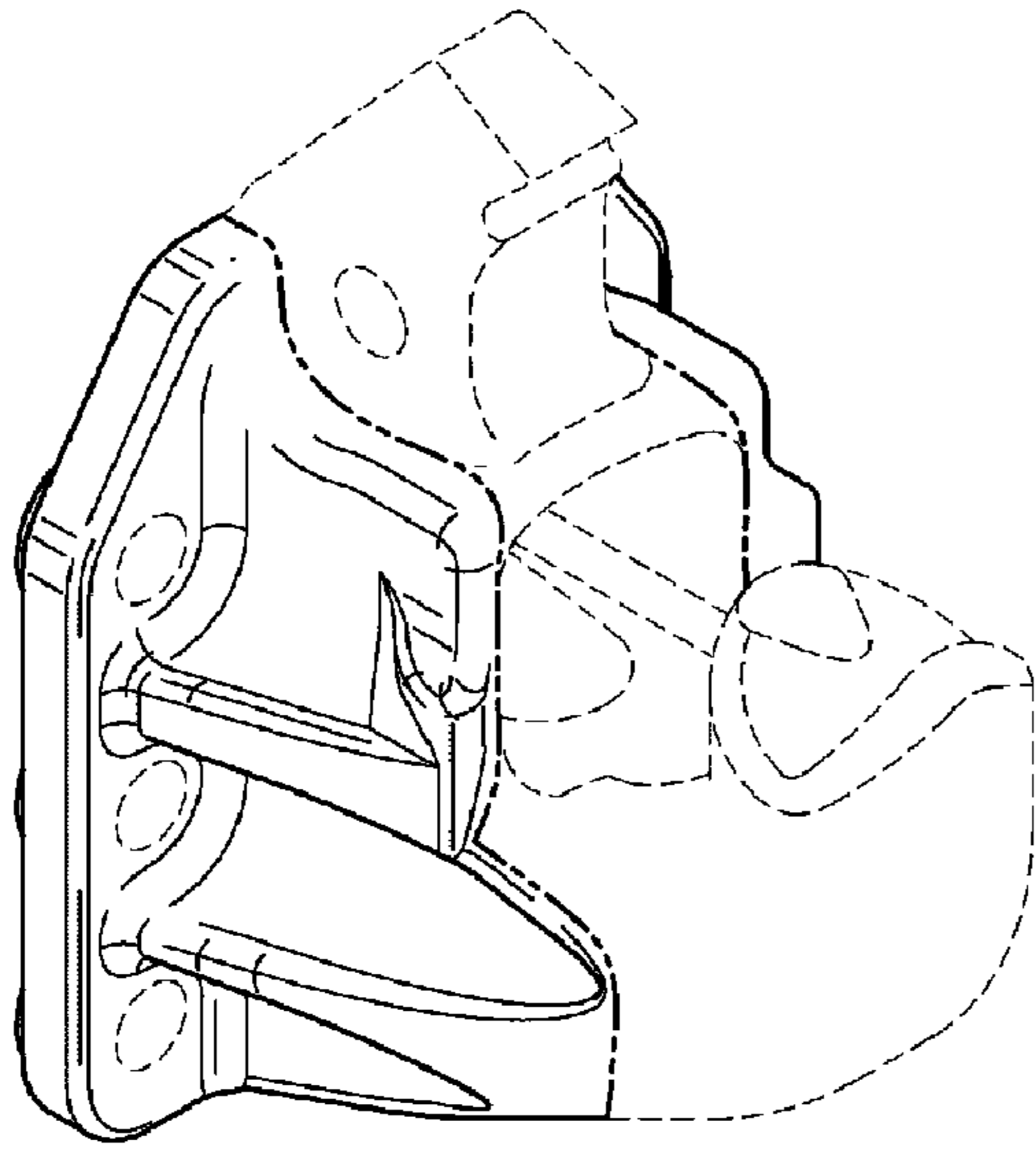


FIG. 1

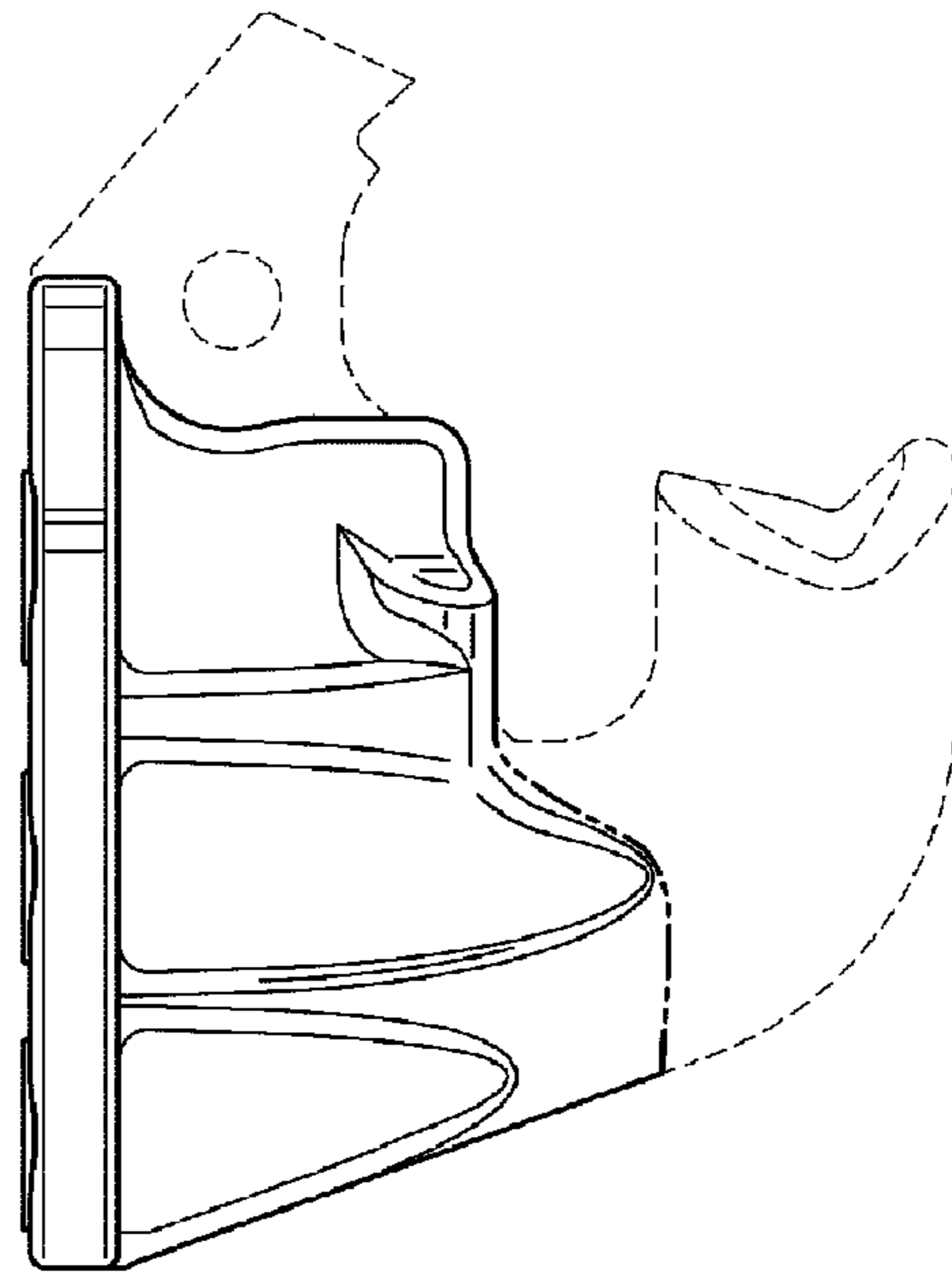


FIG. 2

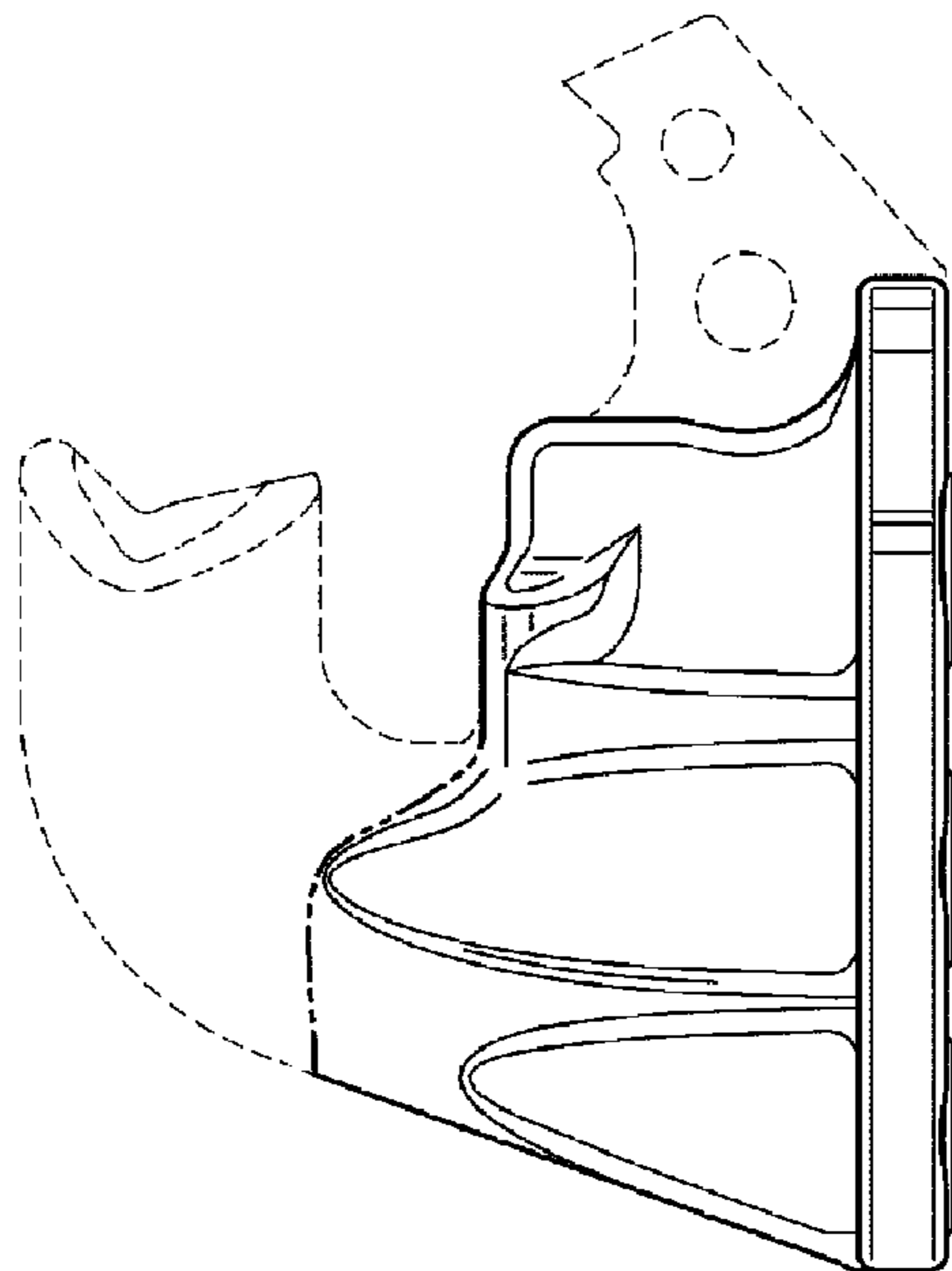


FIG. 3

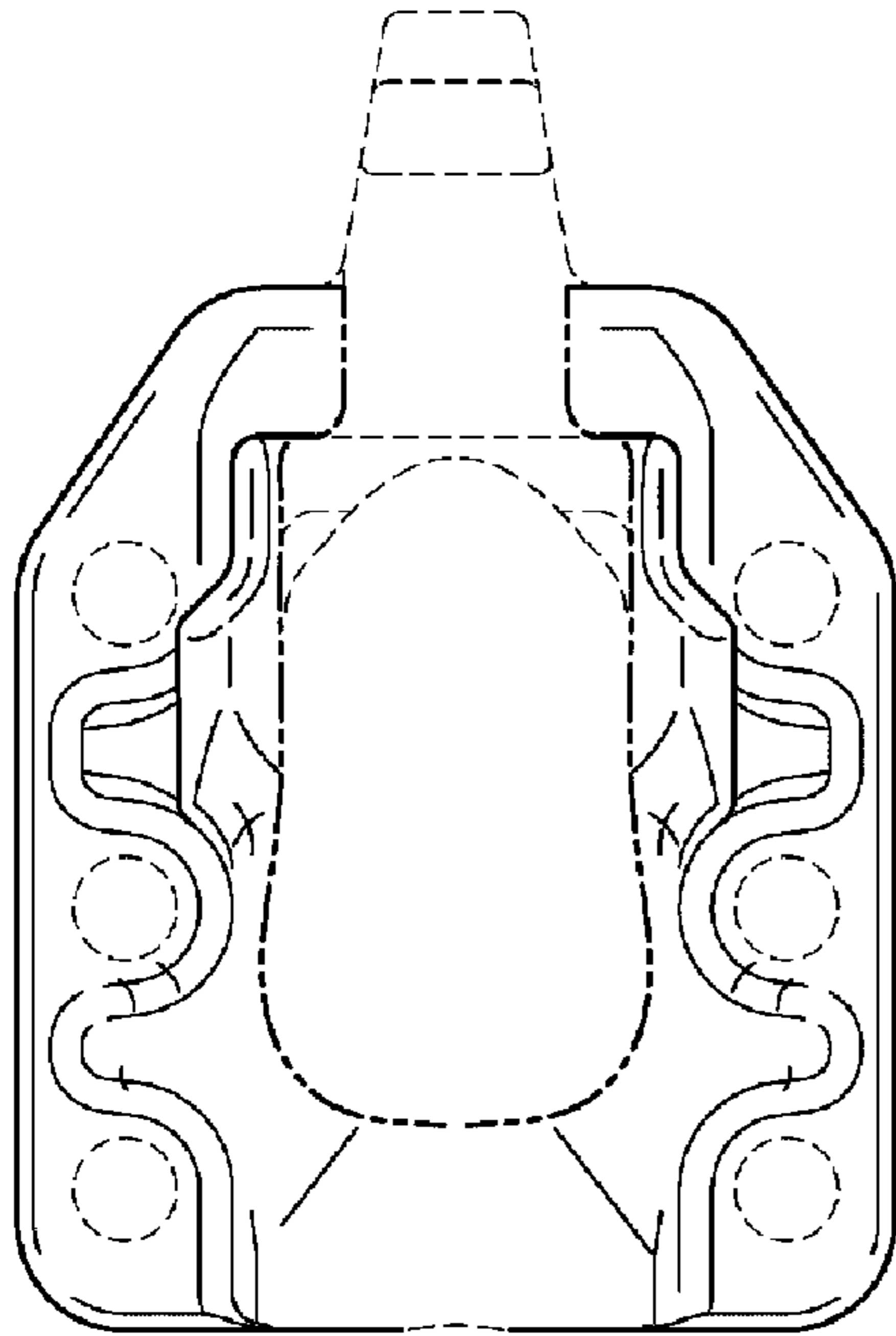


FIG. 4

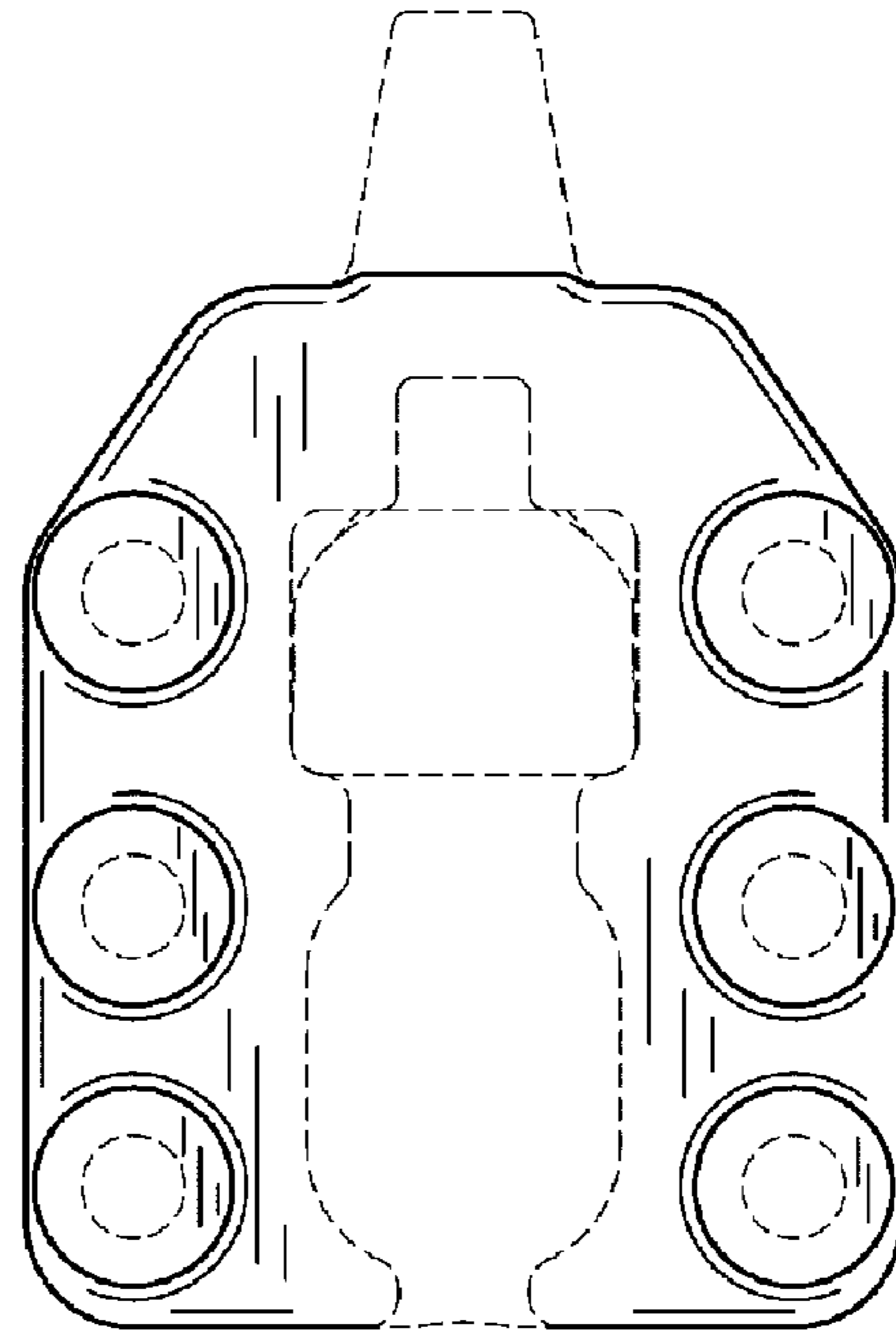


FIG. 5

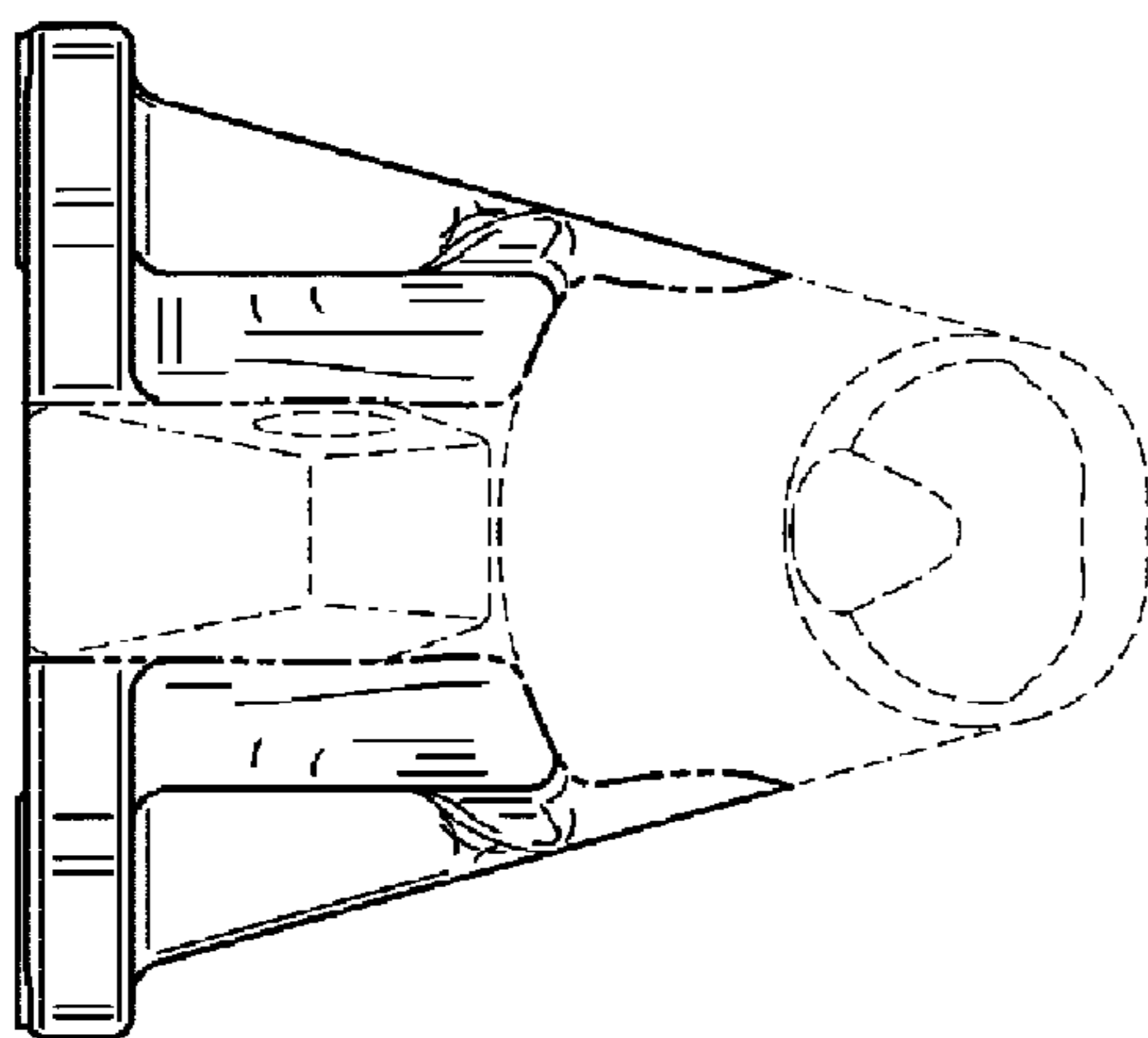


FIG. 6

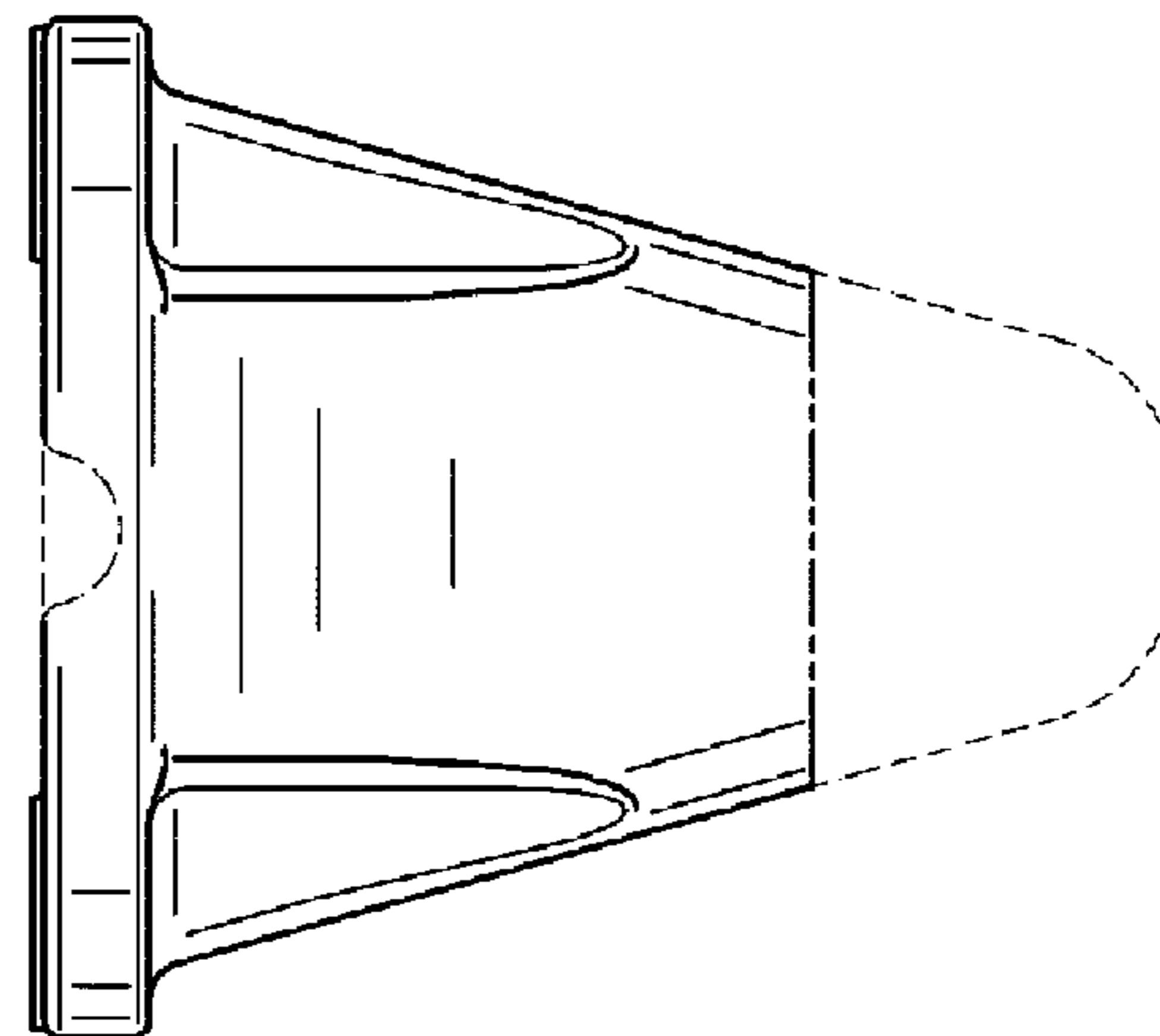


FIG. 7