



US00D648659S

(12) **United States Design Patent**
Brevi

(10) **Patent No.:** **US D648,659 S**

(45) **Date of Patent:** **** Nov. 15, 2011**

(54) **PUSHCHAIR**

(75) Inventor: **Mauro Brevi**, Bergamo (IT)

(73) Assignee: **Brevi S.R.L.**, Telgate (IT)

(**) Term: **14 Years**

(21) Appl. No.: **29/371,077**

(22) Filed: **Oct. 12, 2010**

(30) **Foreign Application Priority Data**

Apr. 16, 2010 (EM) 001208961

(51) **LOC (9) Cl.** **12-12**

(52) **U.S. Cl.** **D12/129**

(58) **Field of Classification Search** D12/128-133;
280/62, 647-650, 29, 200, 47.38, 250.1,
280/259, 642, 658; 297/DIG. 4; 296/65.03,
296/65.04; 224/209; 414/921; 135/65-67,
135/74; D6/360, 368

See application file for complete search history.

(56) **References Cited**

U.S. PATENT DOCUMENTS

5,709,400 A * 1/1998 Bonnier et al. 280/650
5,921,574 A * 7/1999 Driessen et al. 280/655.1

6,880,850 B2 * 4/2005 Hsia 280/642
7,229,091 B2 * 6/2007 Lan 280/642
7,311,323 B1 * 12/2007 Lan 280/642
D580,829 S * 11/2008 Jacobs D12/129
D581,323 S * 11/2008 Toussaint D12/129
D593,007 S * 5/2009 Chauderge D12/129
7,591,479 B2 * 9/2009 Golias 280/647
D615,909 S * 5/2010 Thorne et al. D12/129

* cited by examiner

Primary Examiner — Ian Simmons

Assistant Examiner — Charles Hanson

(74) *Attorney, Agent, or Firm* — Modiano & Associati;
Albert Josif; Daniel O'Byrne

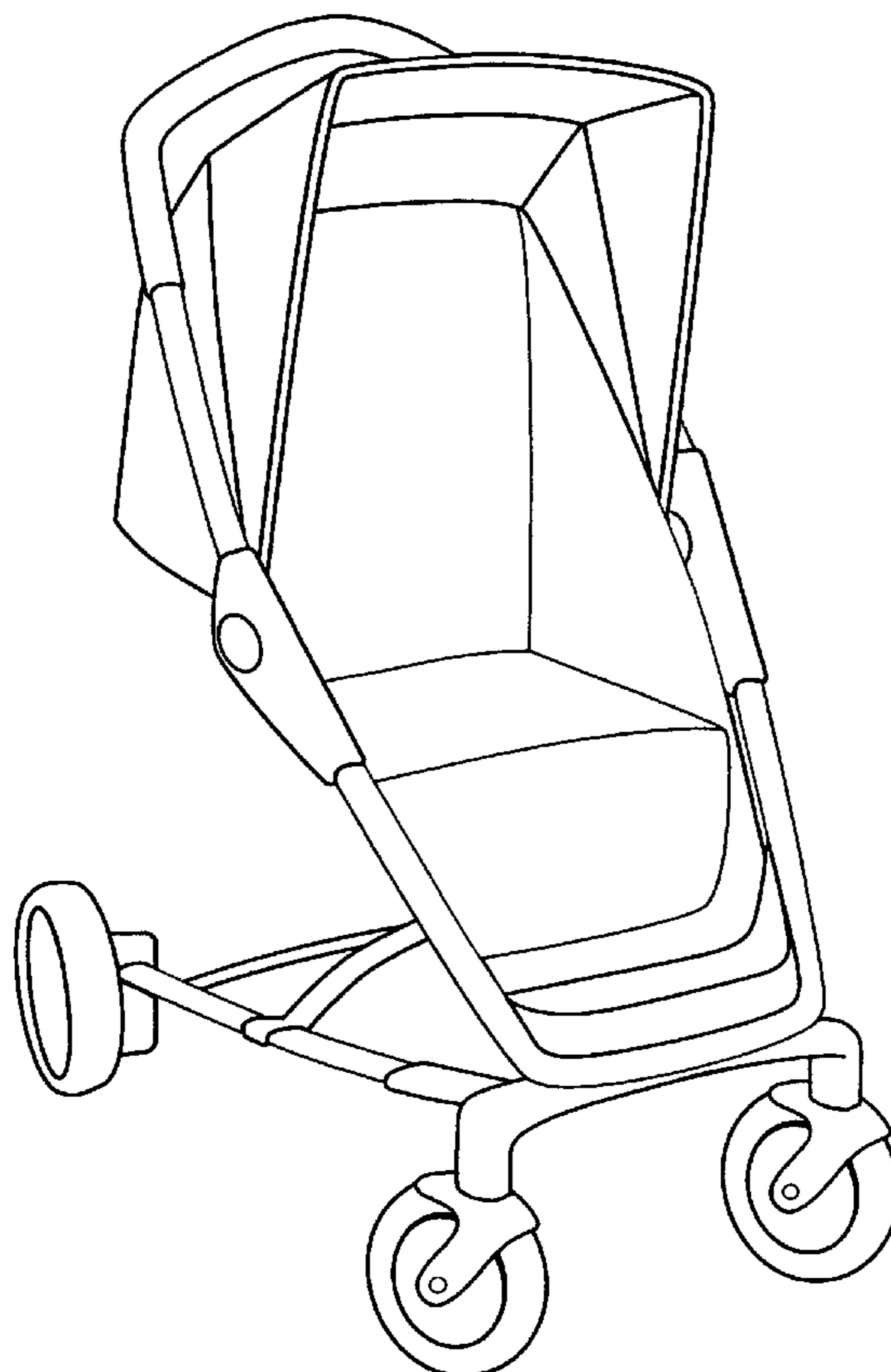
(57) **CLAIM**

The ornamental design for the “pushchair”, as shown and described.

DESCRIPTION

FIG. 1 is a perspective view of the pushchair;
FIG. 2 is a right side elevation view thereof, the left side being
a mirror image;
FIG. 3 is a front elevation view thereof;
FIG. 4 is a bottom elevation view thereof;
FIG. 5 is a plan view thereof, taken from above; and,
FIG. 6 is a plan view thereof, taken from below.

1 Claim, 6 Drawing Sheets



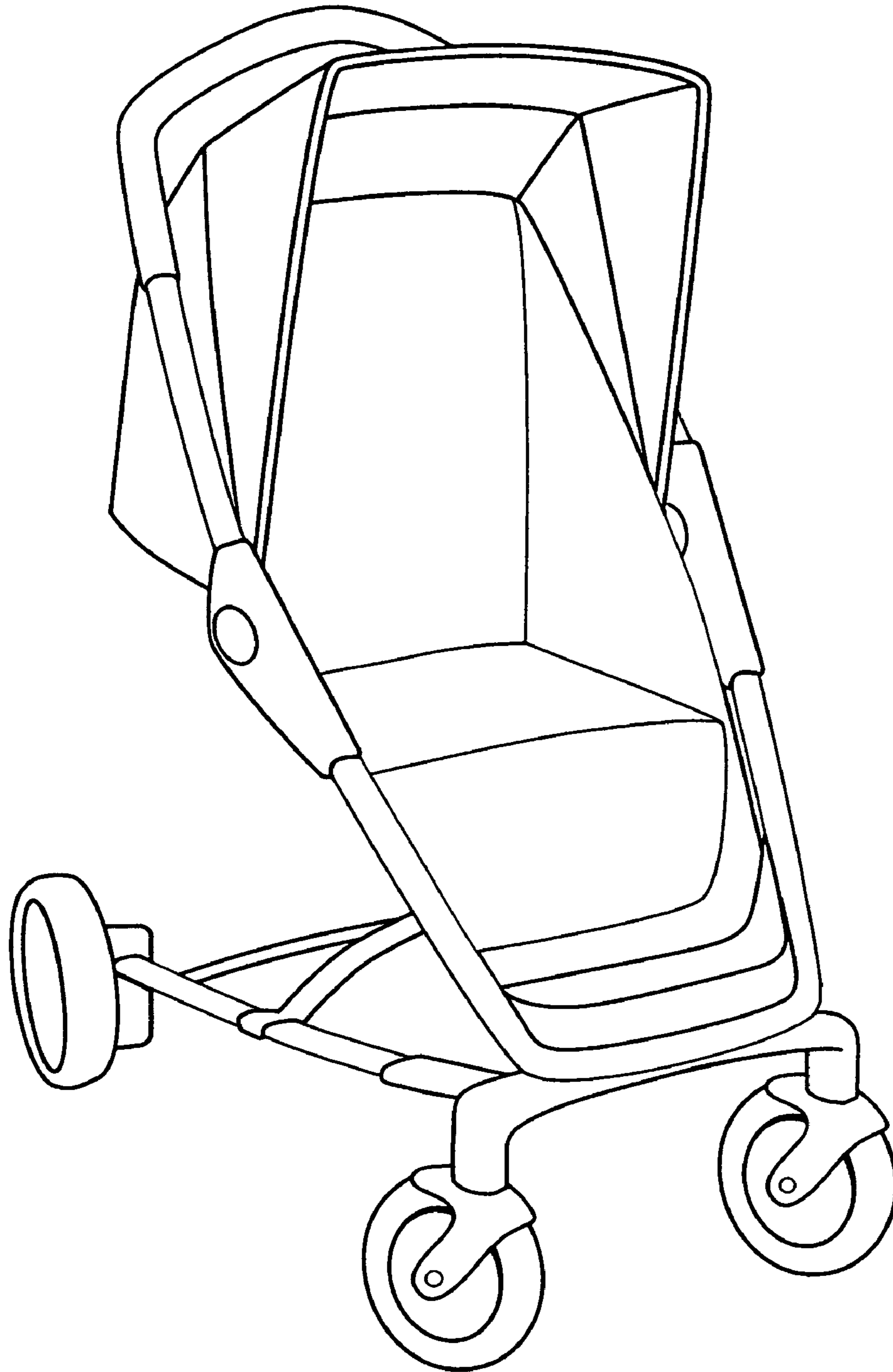


Fig. 1

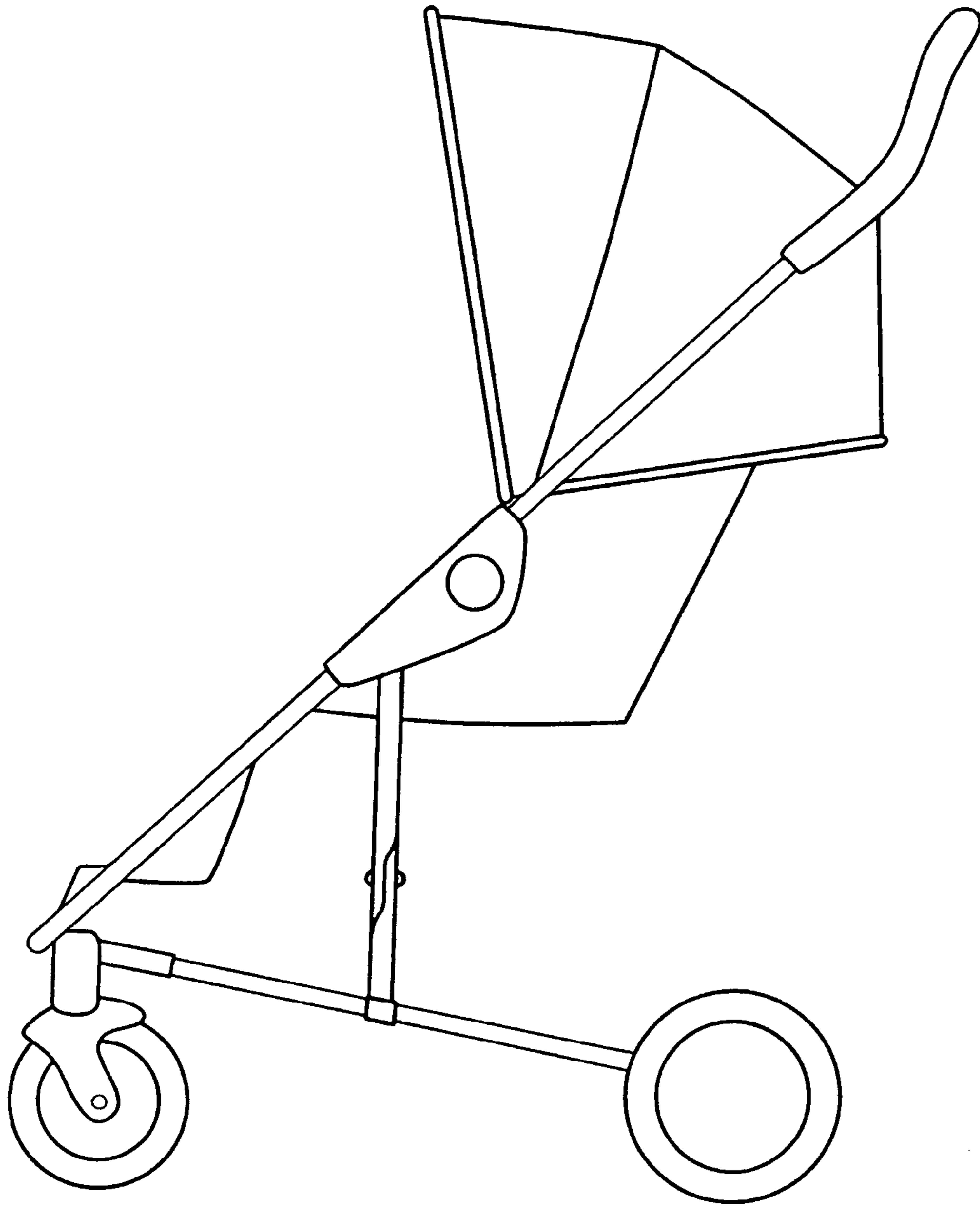


Fig. 2

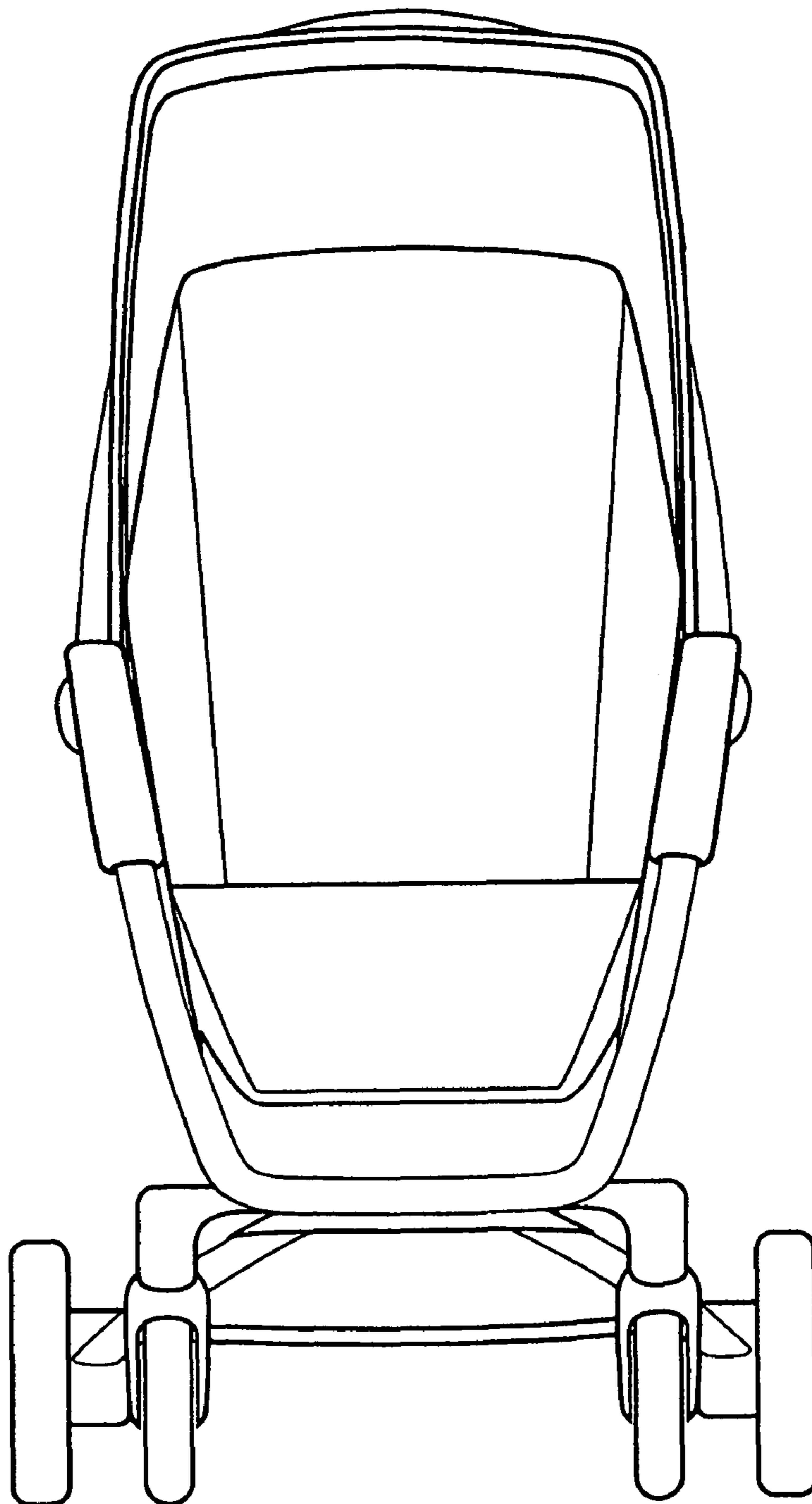


Fig. 3

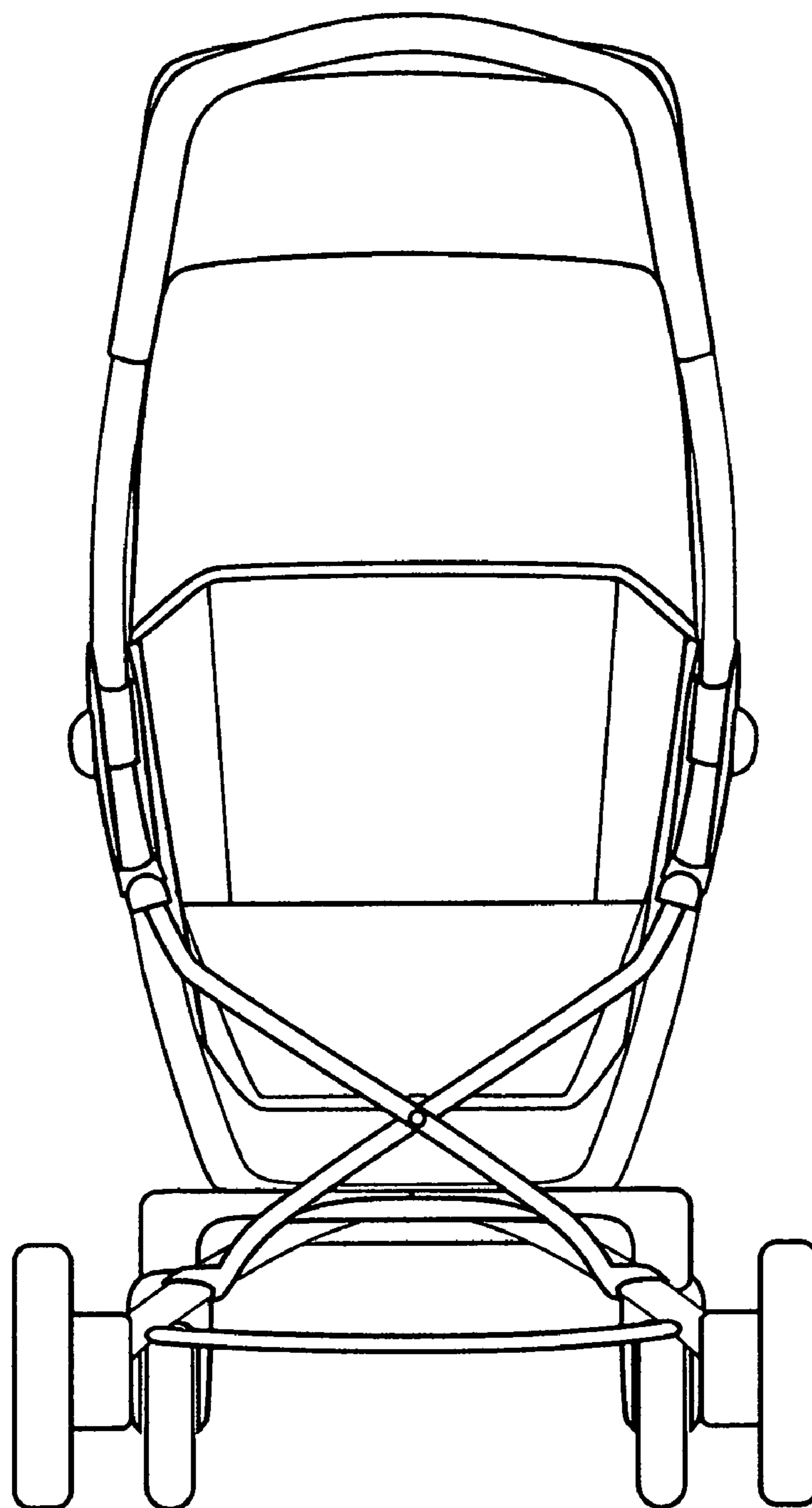


Fig. 4

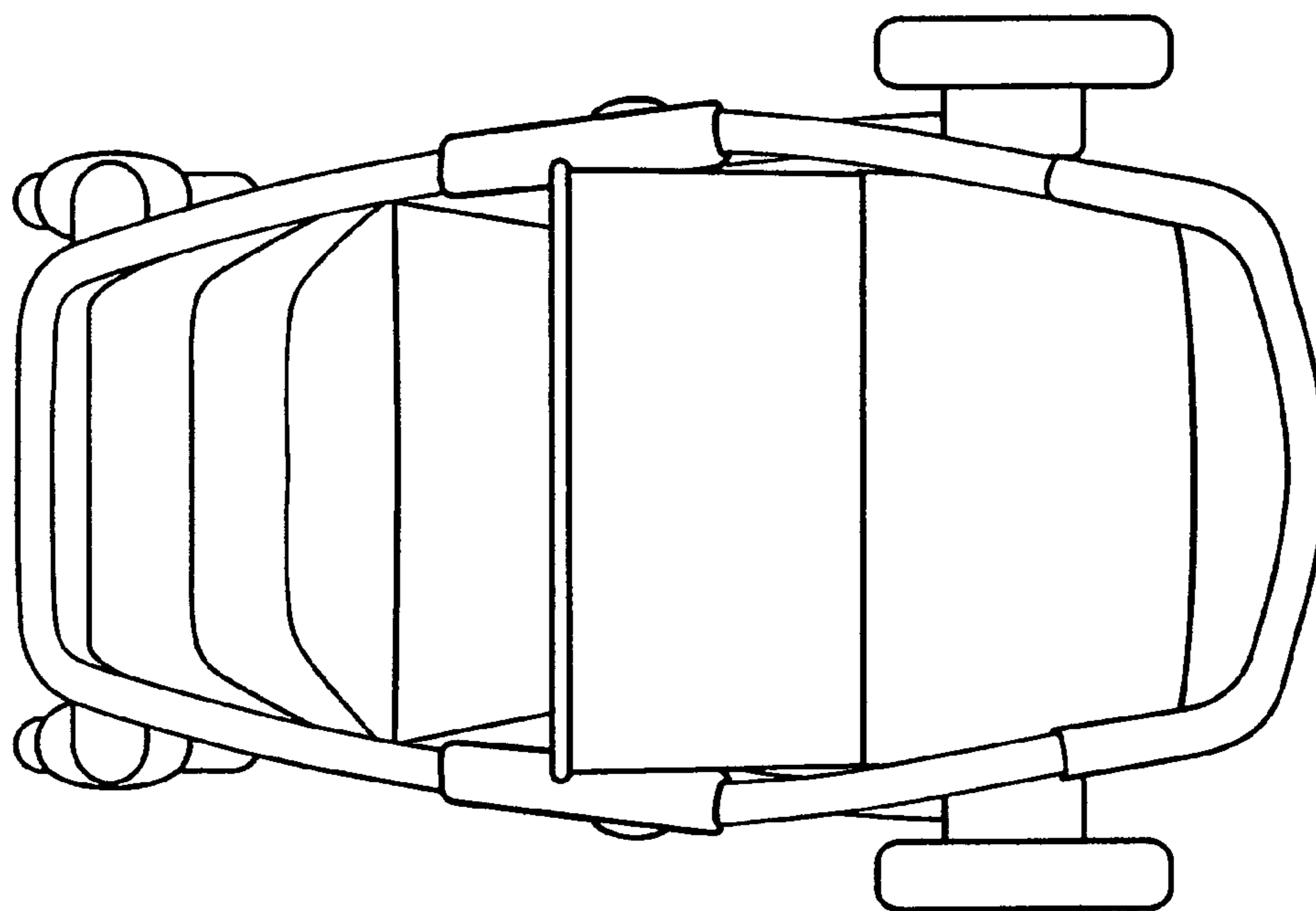


Fig. 5

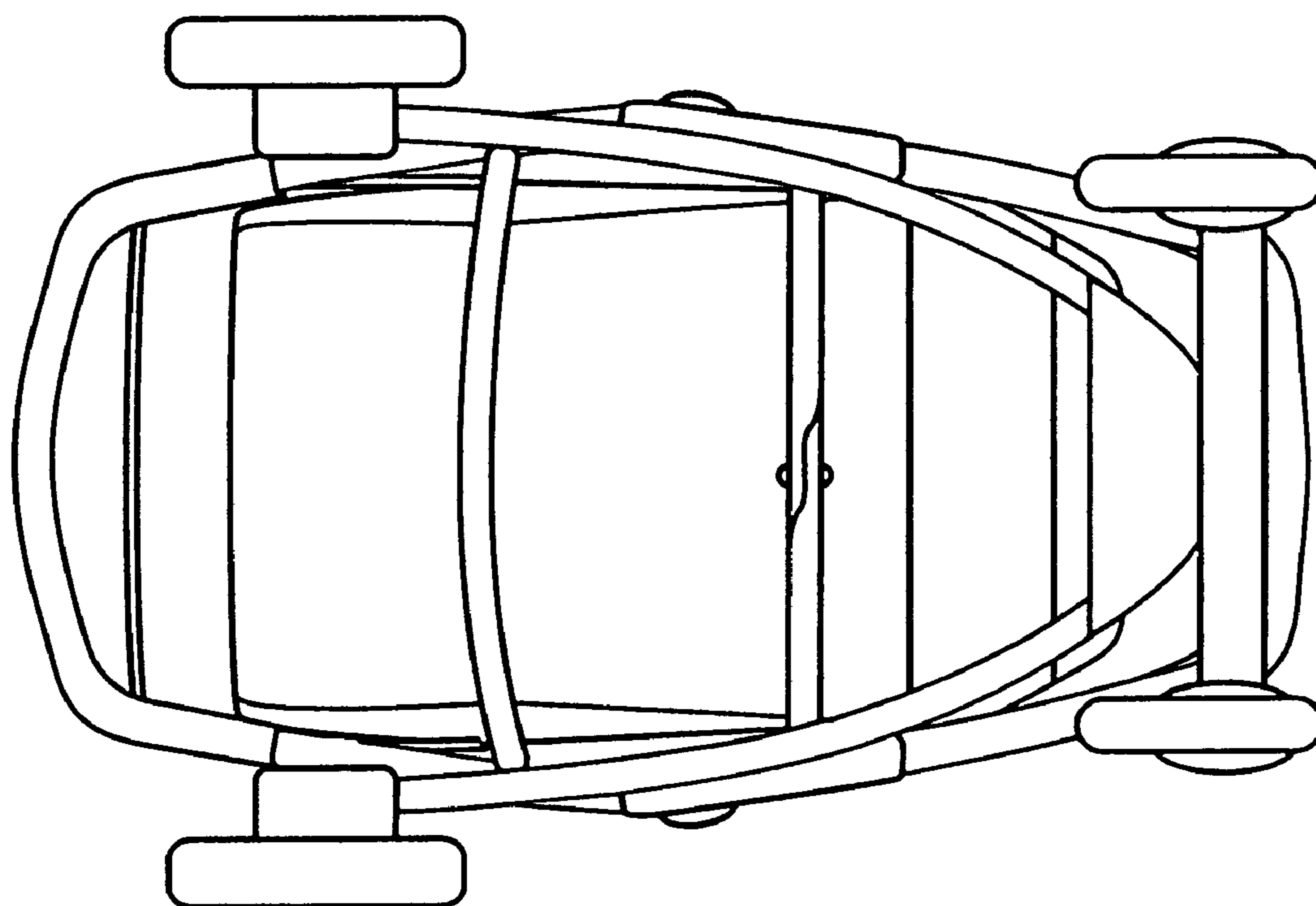


Fig. 6