



US00D648657S

(12) **United States Design Patent**
Schoonover et al.

(10) **Patent No.:** **US D648,657 S**

(45) **Date of Patent:** **** Nov. 15, 2011**

(54) **SLIDE OUT SEAL**

(76) Inventors: **James Schoonover**, Shelby Township, MI (US); **Vincent McNish**, Fostoria, MI (US)

(**) Term: **14 Years**

(21) Appl. No.: **29/373,309**

(22) Filed: **Mar. 29, 2011**

(51) **LOC (9) Cl.** **12-10**

(52) **U.S. Cl.** **D12/106**

(58) **Field of Classification Search** D12/19,
D12/129, 101-106; D21/425, 435; D34/21-26,
D34/12, 16; 280/204, 205, 63, 475, 482,
280/647;
296/168, 180, 180.2, 10, 61, 100.01-100.08
See application file for complete search history.

(56) **References Cited**

U.S. PATENT DOCUMENTS

4,975,306	A *	12/1990	Jackson	428/31
5,864,996	A *	2/1999	Veldman et al.	52/204.597
D597,909	S *	8/2009	Schlater et al.	D12/190
D606,473	S *	12/2009	Schlater	D12/190
D606,474	S *	12/2009	Schlater	D12/190

D636,313	S *	4/2011	Schlater	D12/190
2003/0090122	A1 *	5/2003	Meizlish	296/93
2007/0257449	A1 *	11/2007	Pelchat et al.	277/650
2009/0071077	A1 *	3/2009	Takase et al.	49/489.1

* cited by examiner

Primary Examiner — Caron D Veynar

Assistant Examiner — Katrina Kile

(74) *Attorney, Agent, or Firm* — Warn Partners, P.C.

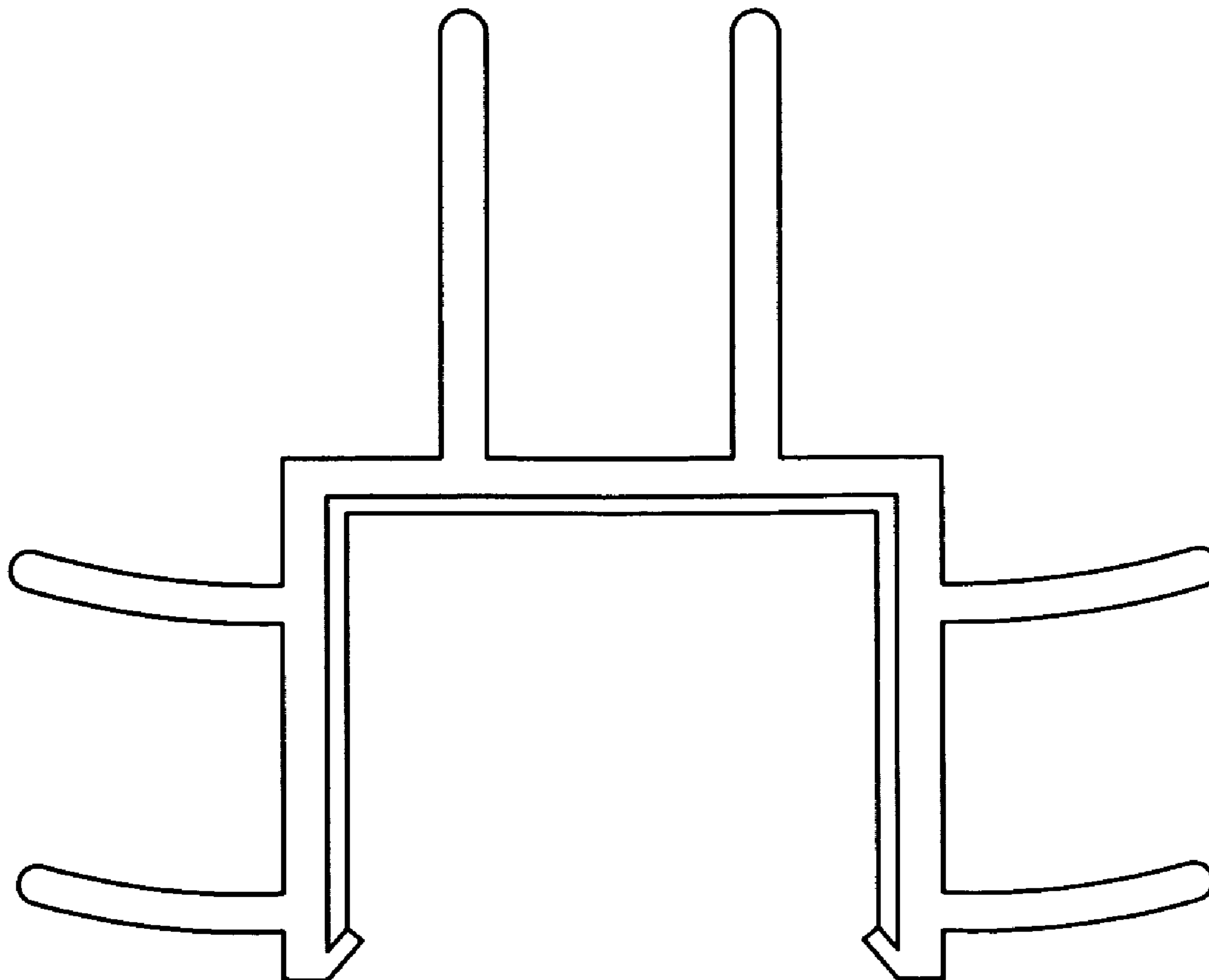
(57) **CLAIM**

The ornamental design for a slide out seal, as shown and described.

DESCRIPTION

FIG. 1 is a perspective view of a slide out seal, in accordance with the present invention;
FIG. 2 is a front elevation view of the slide out seal of FIG. 1, in accordance with the present invention;
FIG. 3 is a top plan view of the slide out seal of FIGS. 1-2, in accordance with the present invention;
FIG. 4 is a side elevation view of the slide out seal of FIGS. 1-3, in accordance with the present invention; and,
FIG. 5 is a bottom plan view of the slide out seal of FIGS. 1-4, in accordance with the present invention.

1 Claim, 3 Drawing Sheets



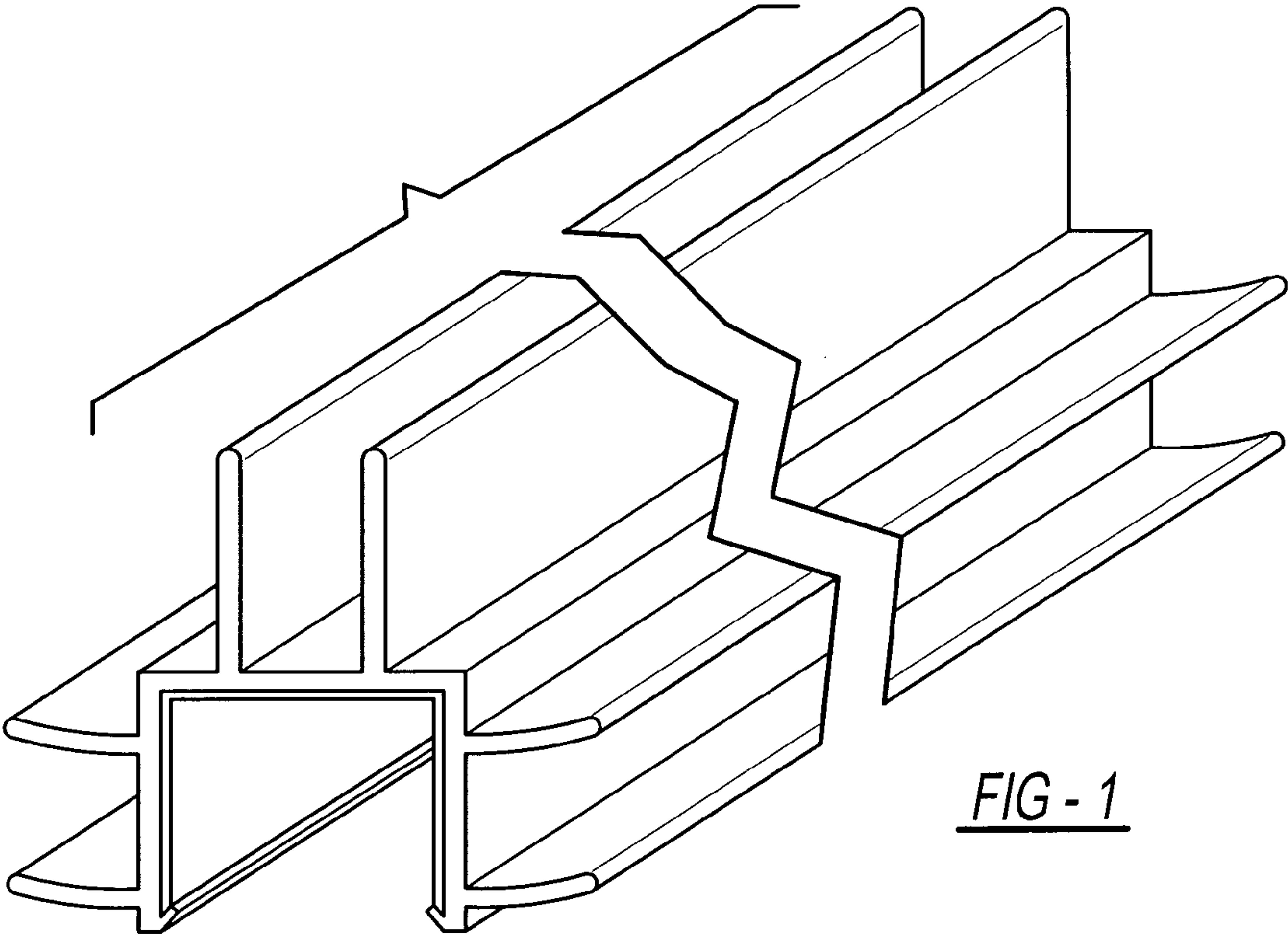


FIG - 1

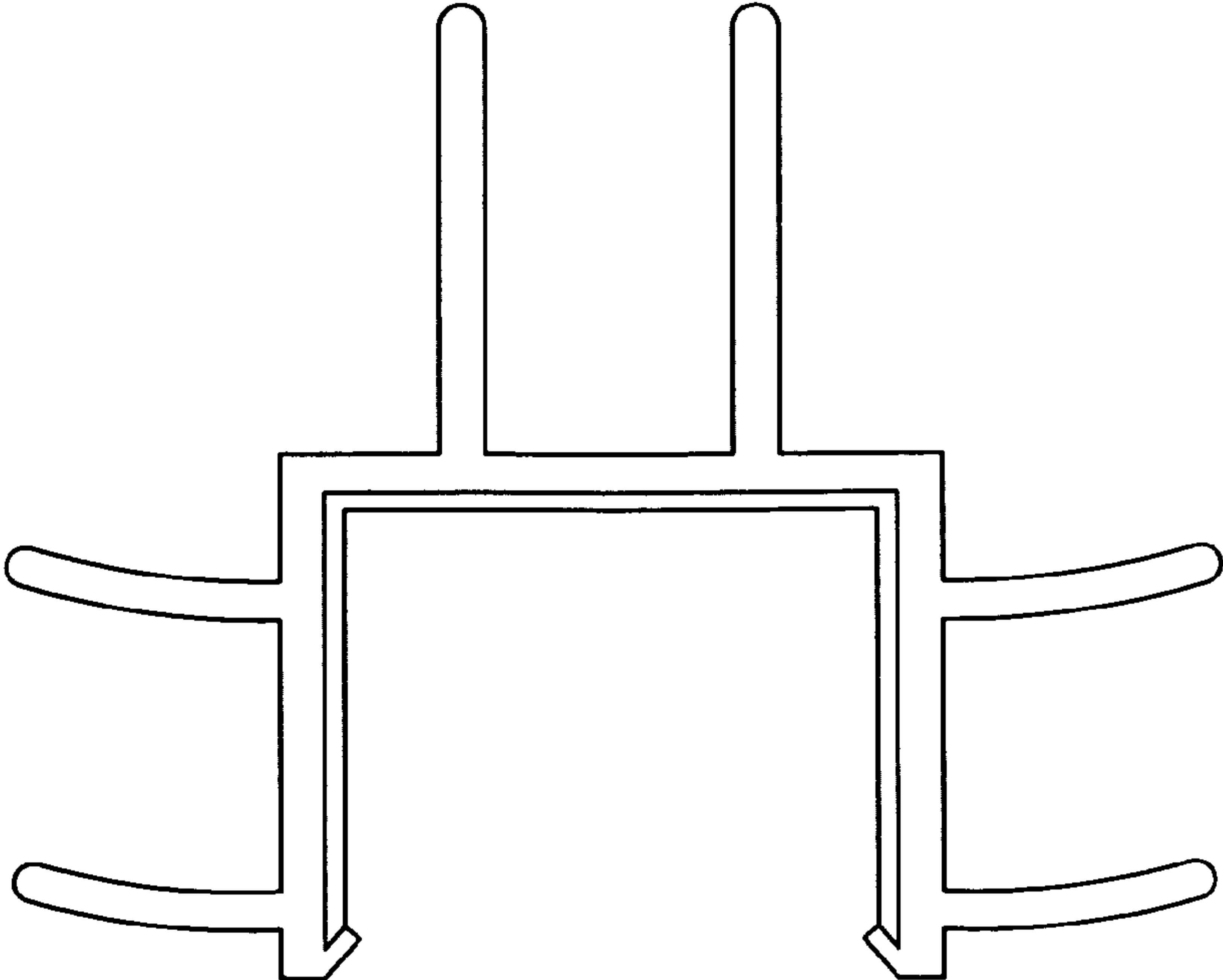


FIG - 2

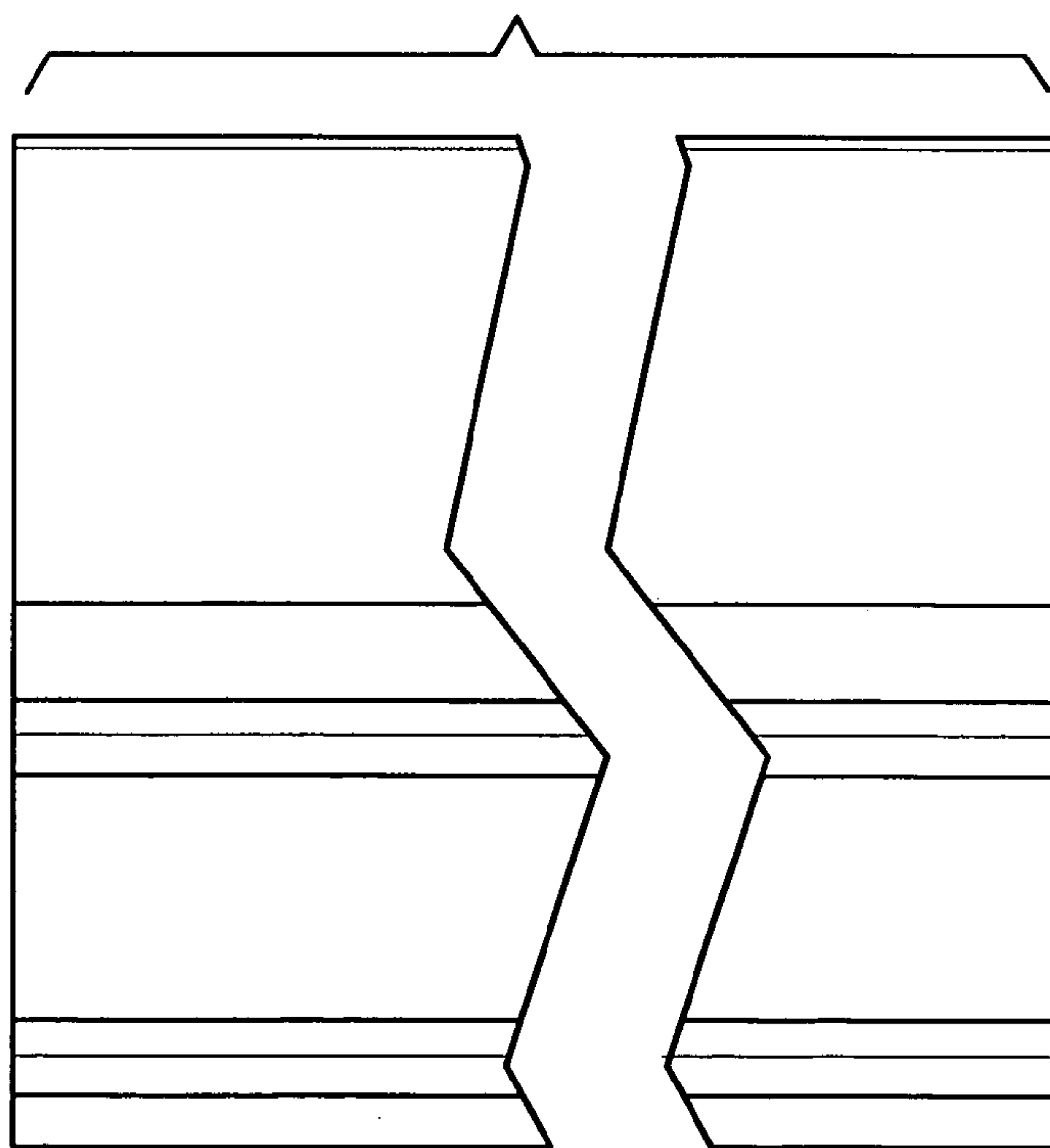
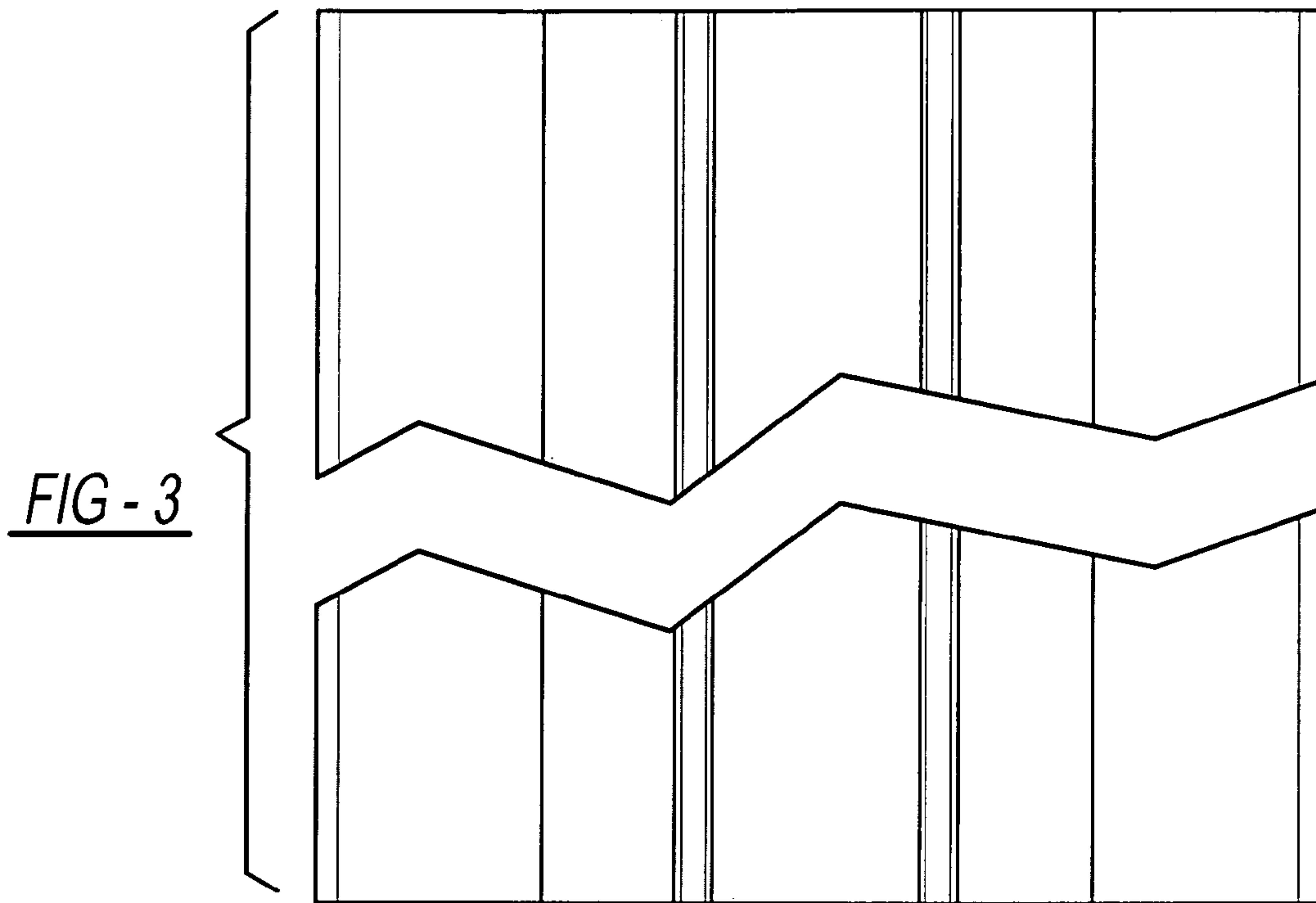


FIG - 4

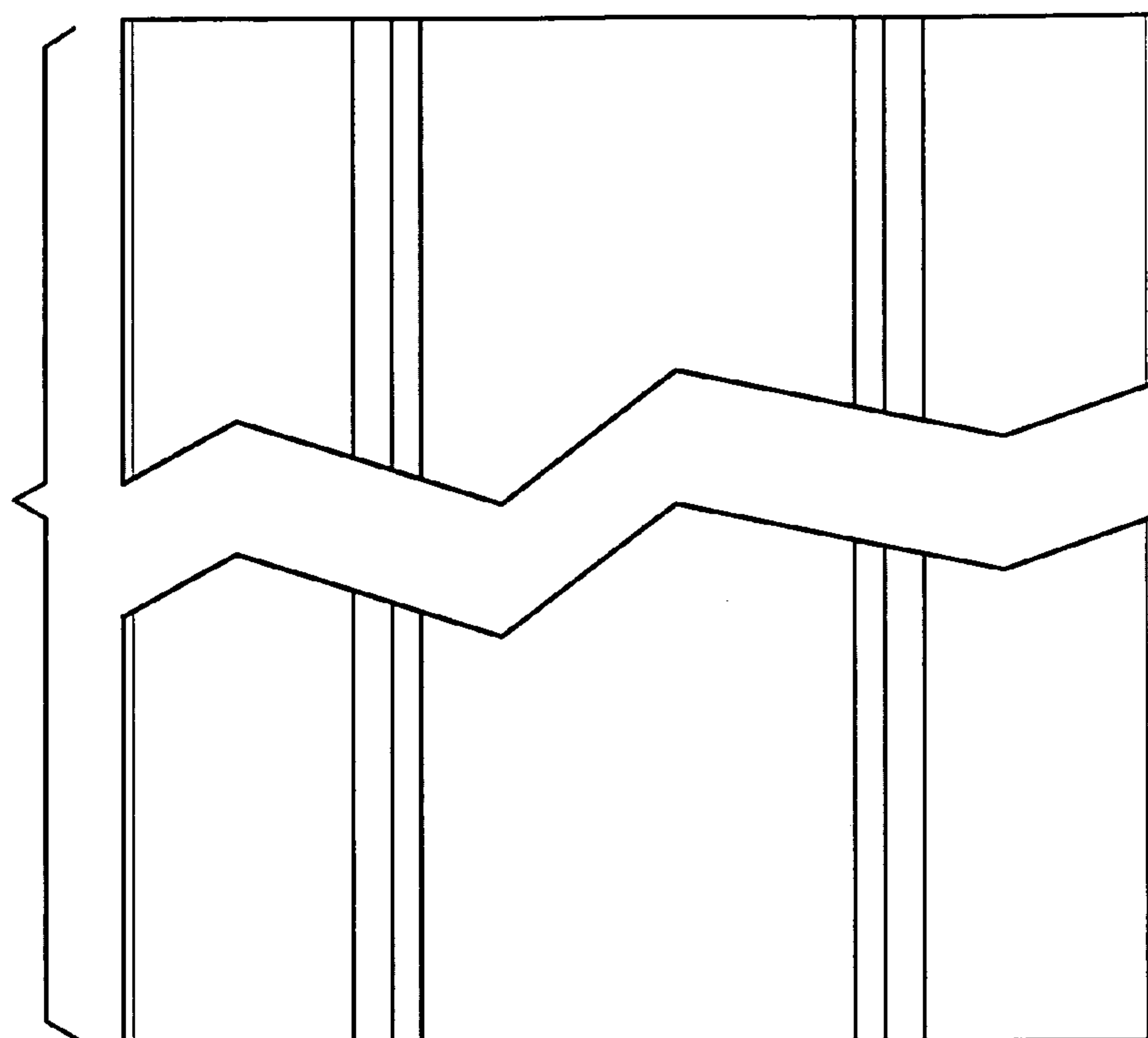


FIG - 5