



US00D648656S

(12) **United States Design Patent**  
**Crane**

(10) **Patent No.:** **US D648,656 S**

(45) **Date of Patent:** **\*\* Nov. 15, 2011**

(54) **COLLAPSIBLE MOTORCYCLE TRAILER**

(76) Inventor: **Paul H. Crane**, Hamilton Hill (AU)

(\*\*) Term: **14 Years**

(21) Appl. No.: **29/388,152**

(22) Filed: **Mar. 24, 2011**

(51) **LOC (9) Cl.** ..... **12-10**

(52) **U.S. Cl.** ..... **D12/101**

(58) **Field of Classification Search** ..... D12/19,  
D12/129, 101-106; D21/425, 435; D34/21-26,  
D34/12, 16; 280/204, 205, 63, 475, 482,  
280/647;  
296/168, 180, 180.2, 10, 61, 100.01-100.08  
See application file for complete search history.

(56) **References Cited**

**U.S. PATENT DOCUMENTS**

3,025,985	A *	3/1962	Crawford	.....	414/537
D316,688	S *	5/1991	Barginear	.....	D12/101
D322,235	S *	12/1991	Bell	.....	D12/101
D369,328	S *	4/1996	Acosta	.....	D12/101
D375,921	S *	11/1996	Kunkle	.....	D12/101
D376,564	S *	12/1996	Mishoe	.....	D12/101
D390,814	S *	2/1998	Weinacht	.....	D12/101
D403,276	S *	12/1998	Neault et al.	.....	D12/101
D574,735	S *	8/2008	Landman et al.	.....	D10/38
D574,755	S *	8/2008	Thurm	.....	D12/101
D608,969	S *	1/2010	Wise	.....	D34/12
D630,558	S *	1/2011	Hopkins Clutterbuck et al.	.....	D12/106

\* cited by examiner

*Primary Examiner* — Caron D Veynar

*Assistant Examiner* — Katrina Kile

(74) *Attorney, Agent, or Firm* — QuickPatents, Inc.; Kevin Prince

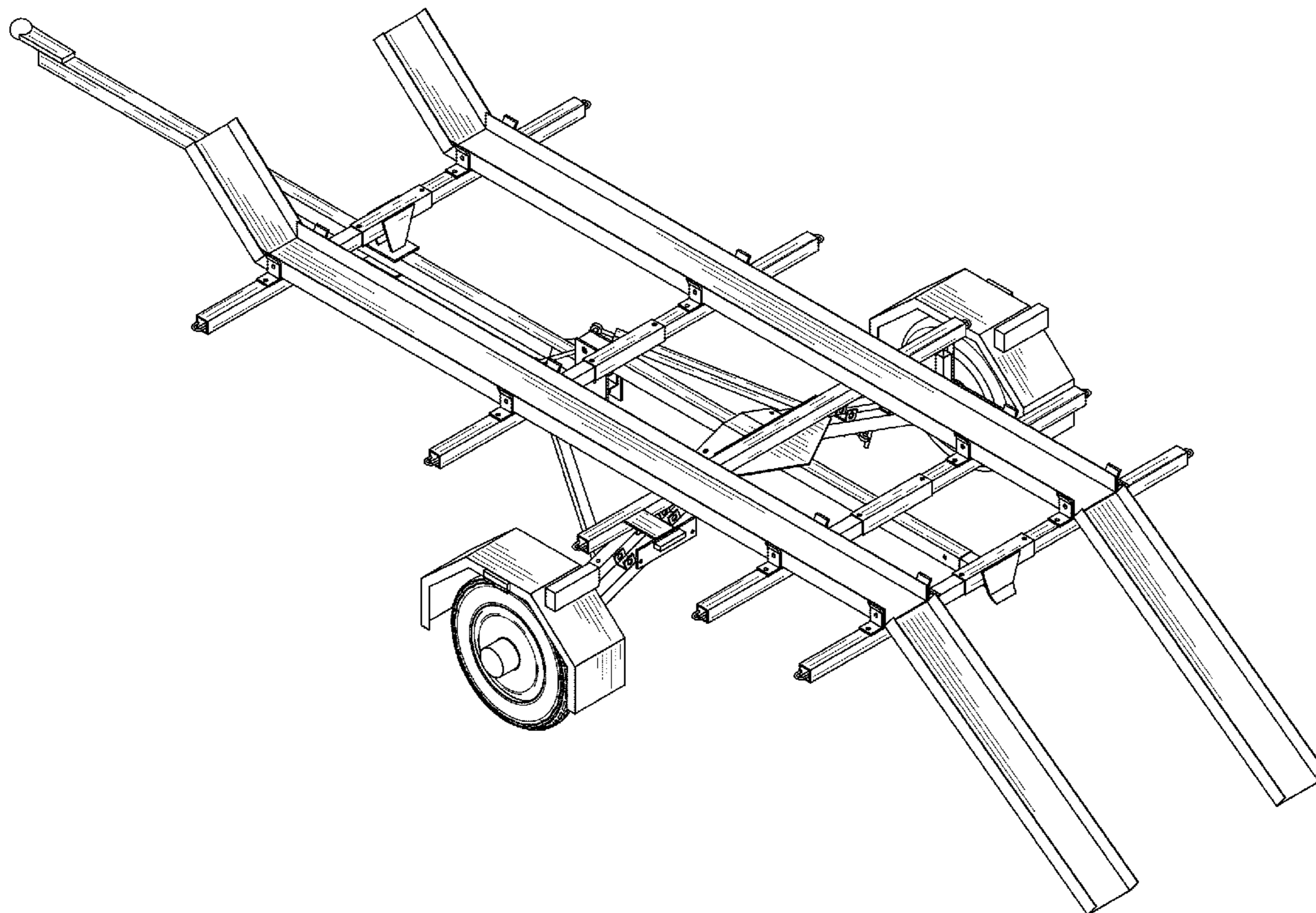
(57) **CLAIM**

The ornamental design for a collapsible motorcycle trailer, as shown and described.

**DESCRIPTION**

FIG. 1 is a perspective view of a collapsible motorcycle trailer, showing the new design in an expanded configuration; FIG. 2 is a right-side elevational view of FIG. 1; FIG. 3 is a left-side elevational view of FIG. 1; FIG. 4 is a rear elevational view of FIG. 1; FIG. 5 is a front elevational view of FIG. 1; FIG. 6 is a top plan view of FIG. 1; FIG. 7 is a bottom plan view of FIG. 1; FIG. 8 is a perspective view thereof, illustrated in a collapsed configuration; FIG. 9 is a rear elevational view of FIG. 8; FIG. 10 is a front elevational view of FIG. 8; FIG. 11 is a left-side elevational view of FIG. 8; FIG. 12 is a right-side elevational view of FIG. 8; FIG. 13 is a bottom plan view of FIG. 8; and, FIG. 14 is a top plan view of FIG. 8.

**1 Claim, 10 Drawing Sheets**



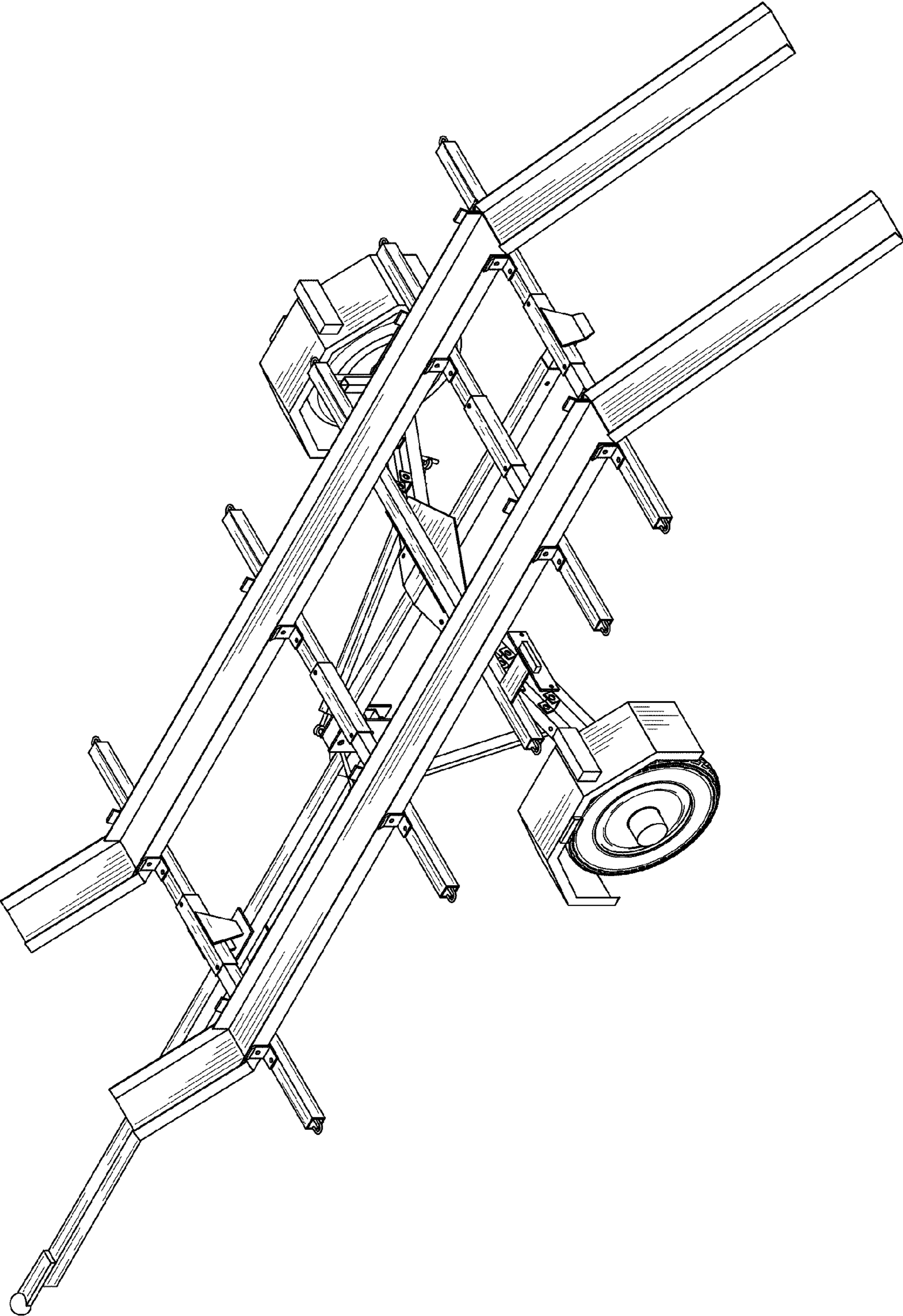


FIG. 1

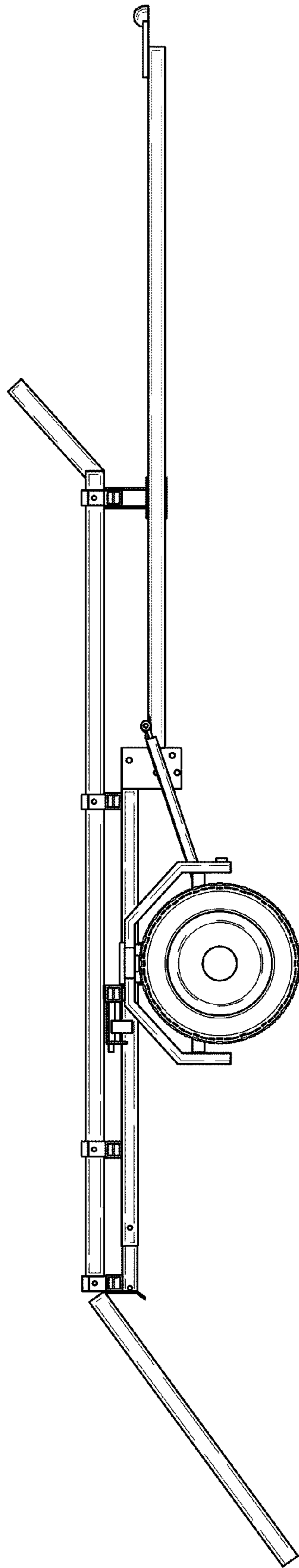


FIG. 2

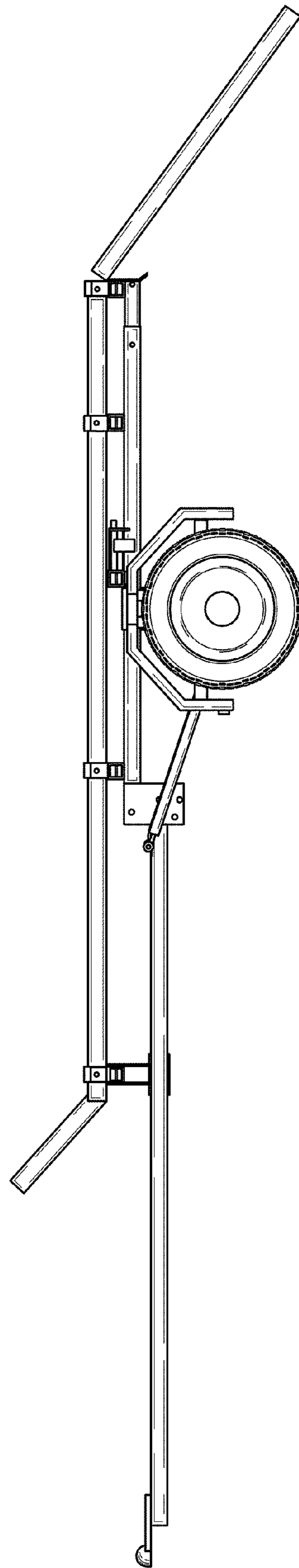


FIG. 3



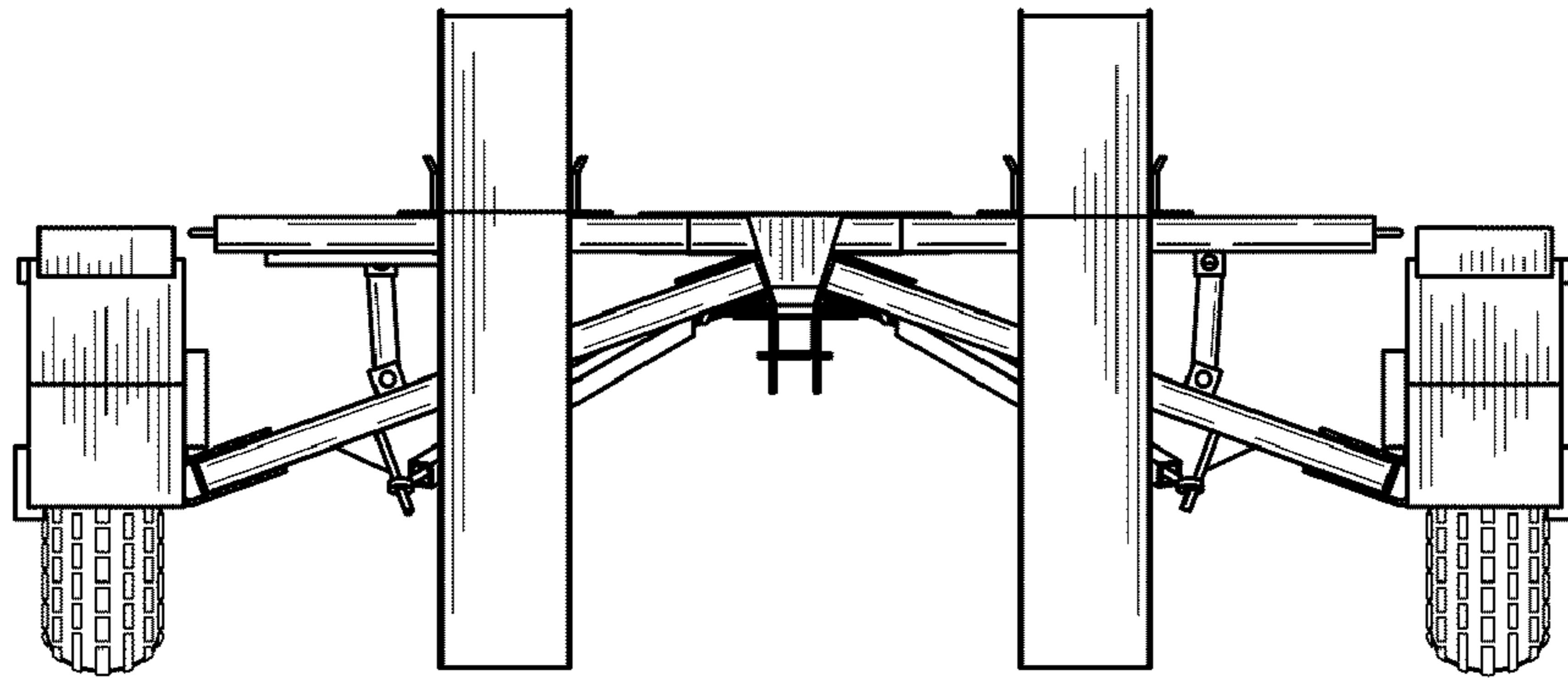


FIG. 4

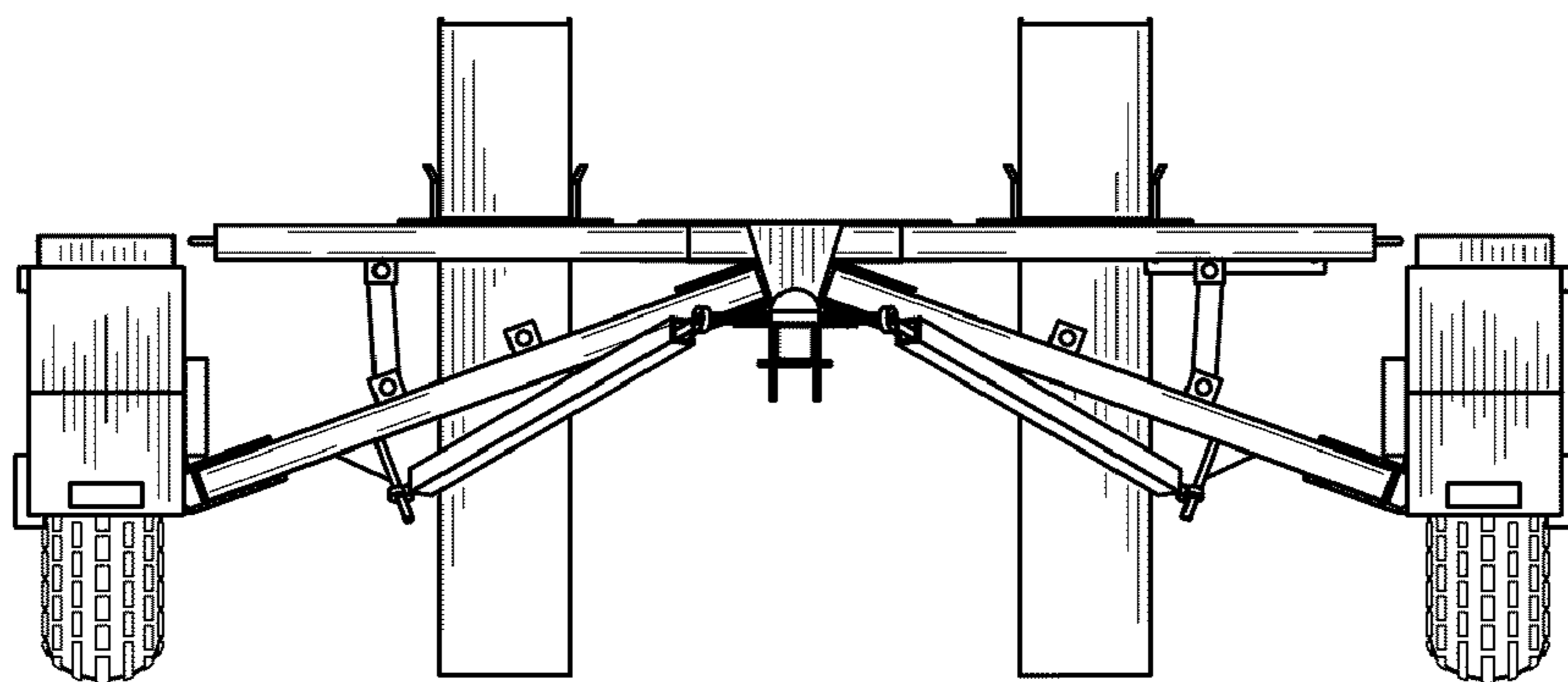


FIG. 5

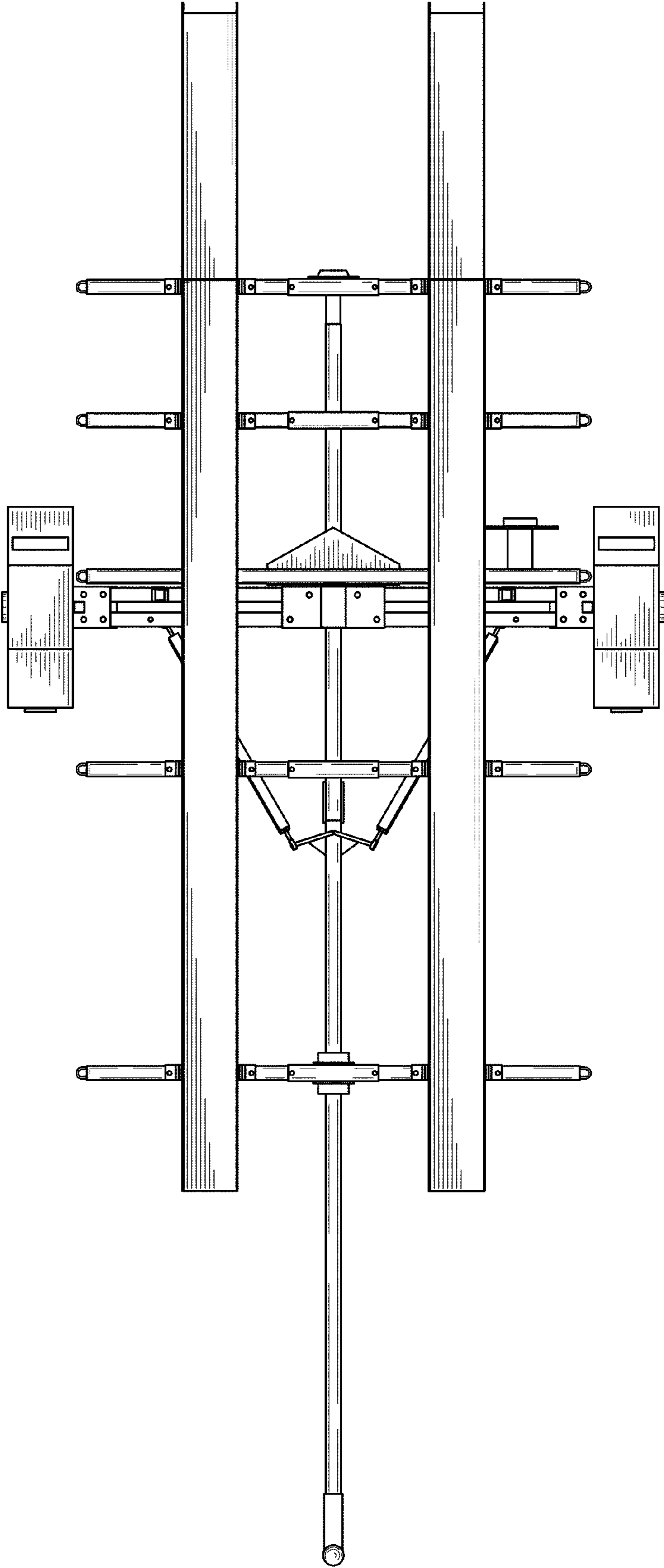


FIG. 6

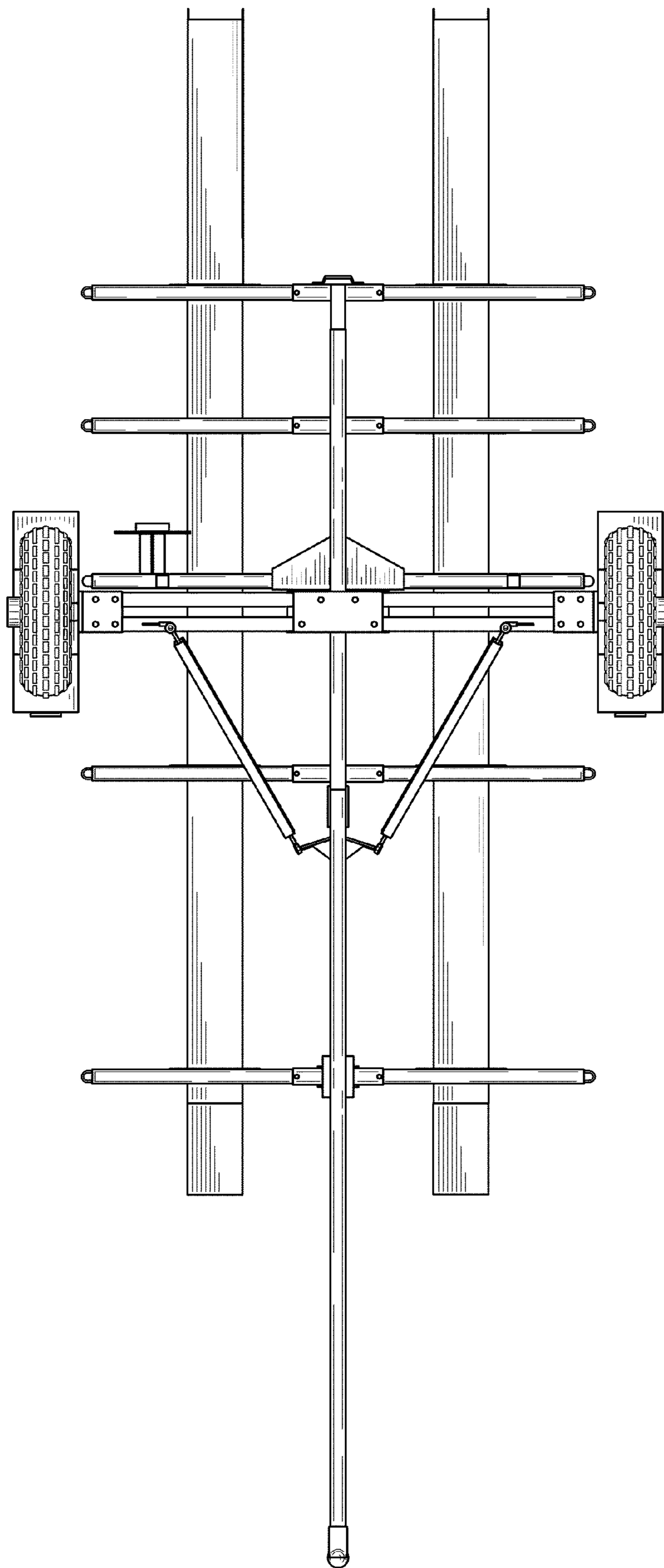


FIG. 7

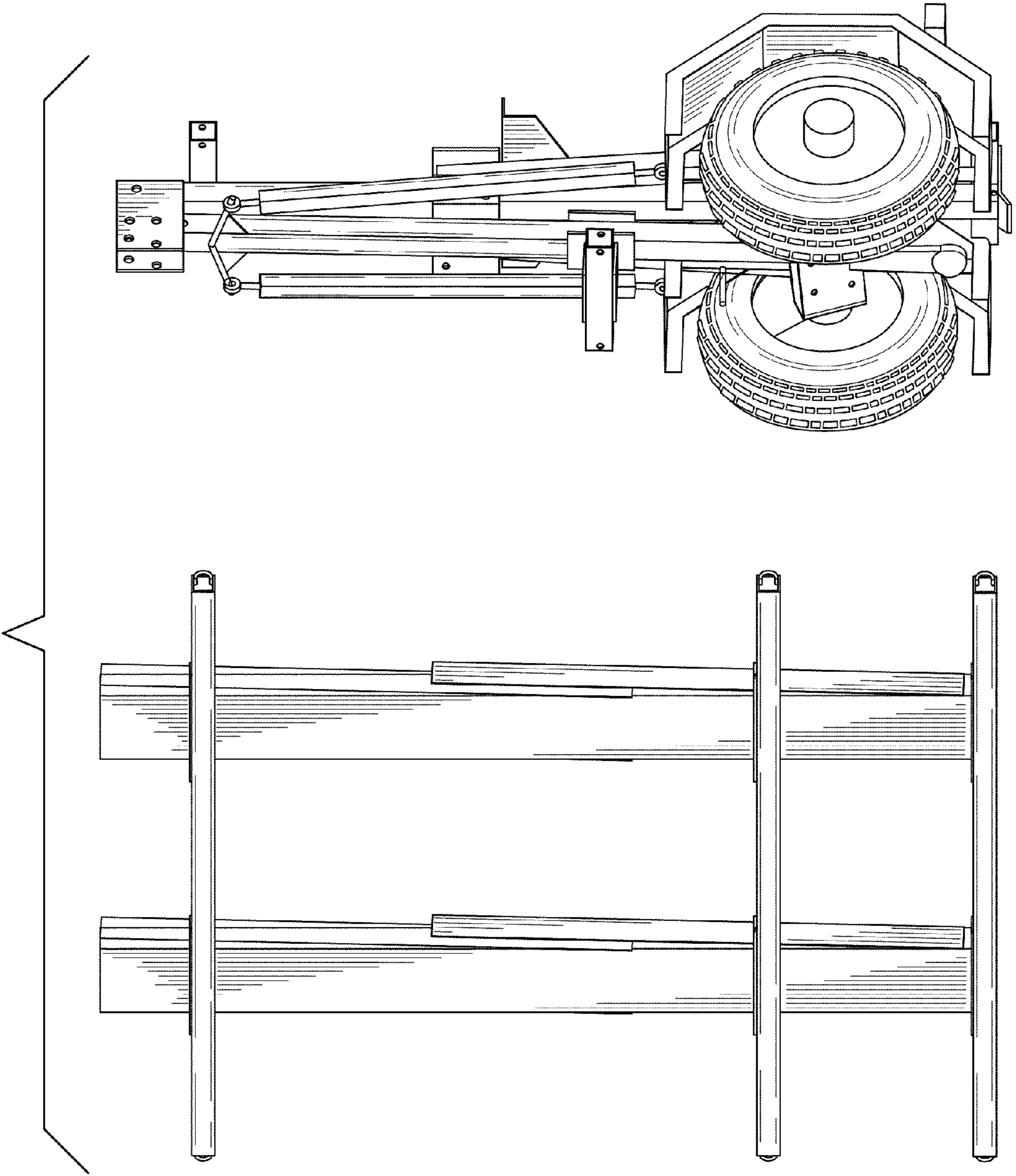


FIG. 8

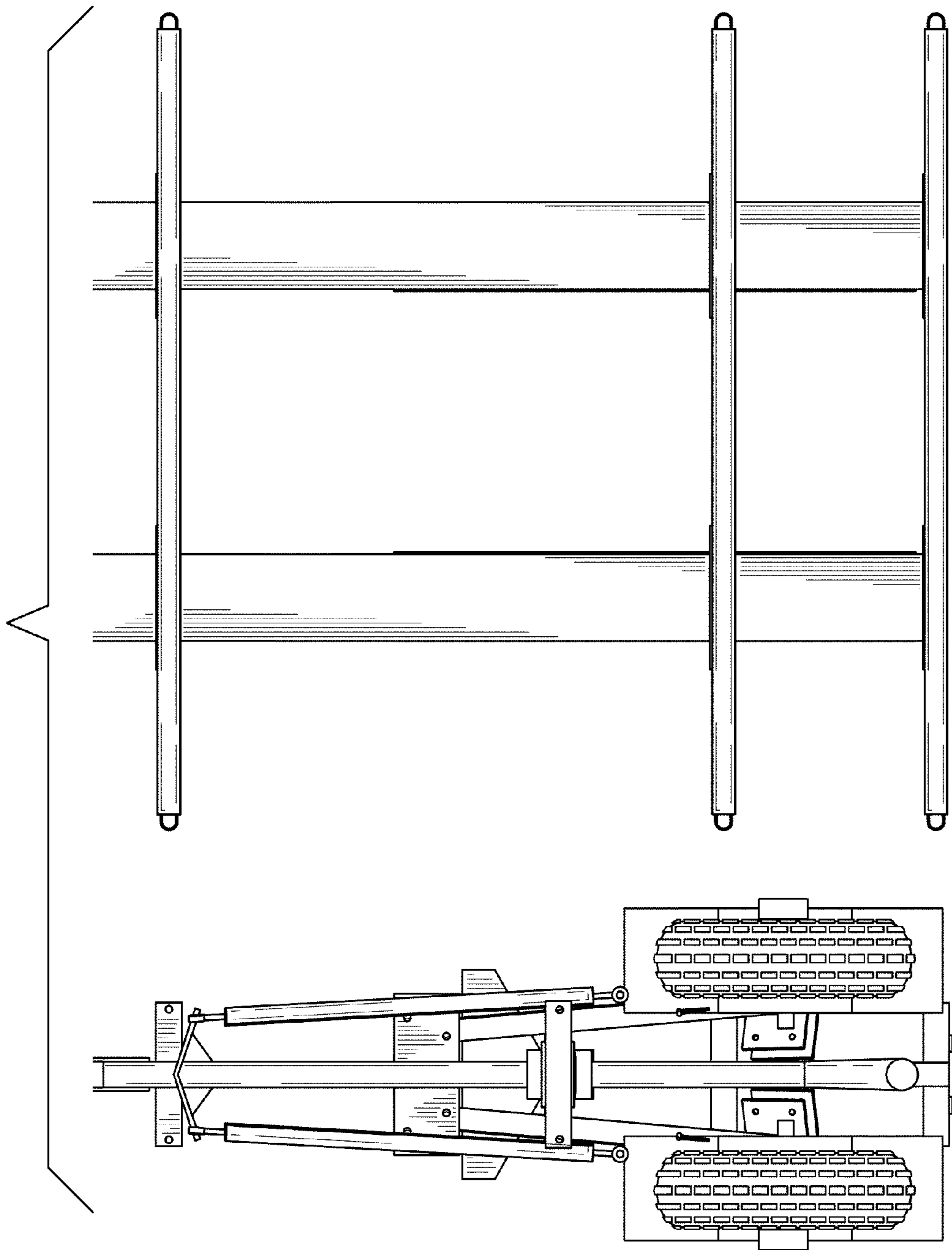


FIG. 9



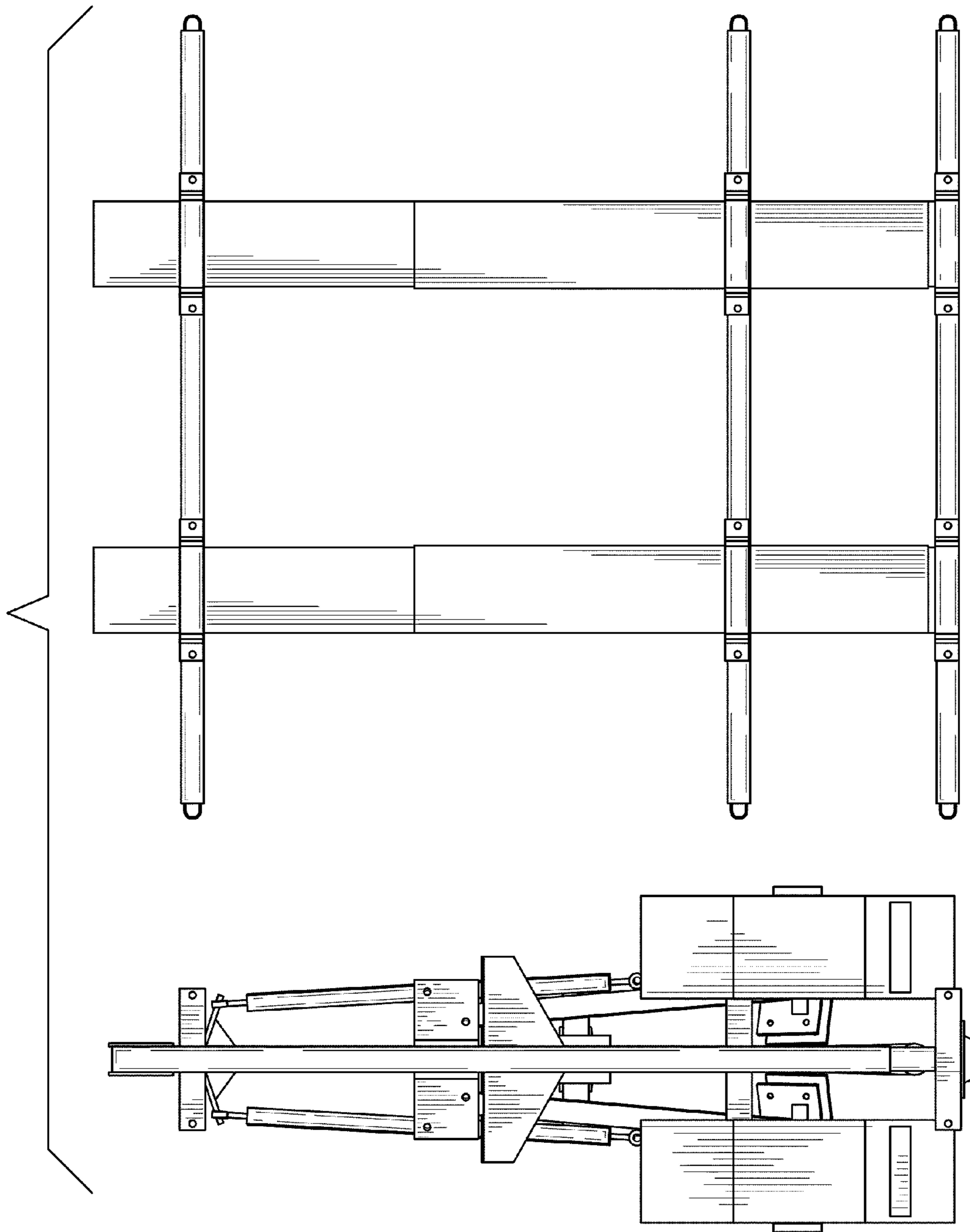


FIG. 10

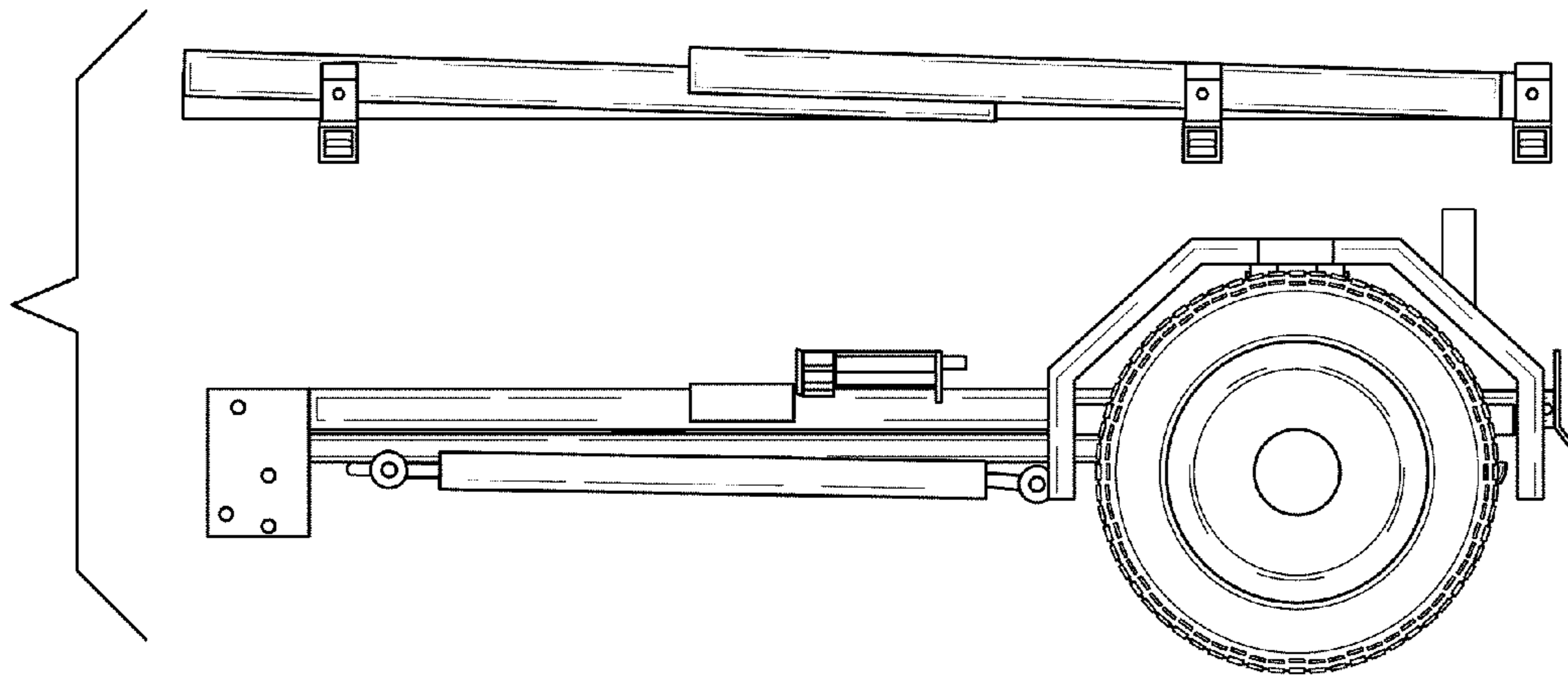


FIG. 12

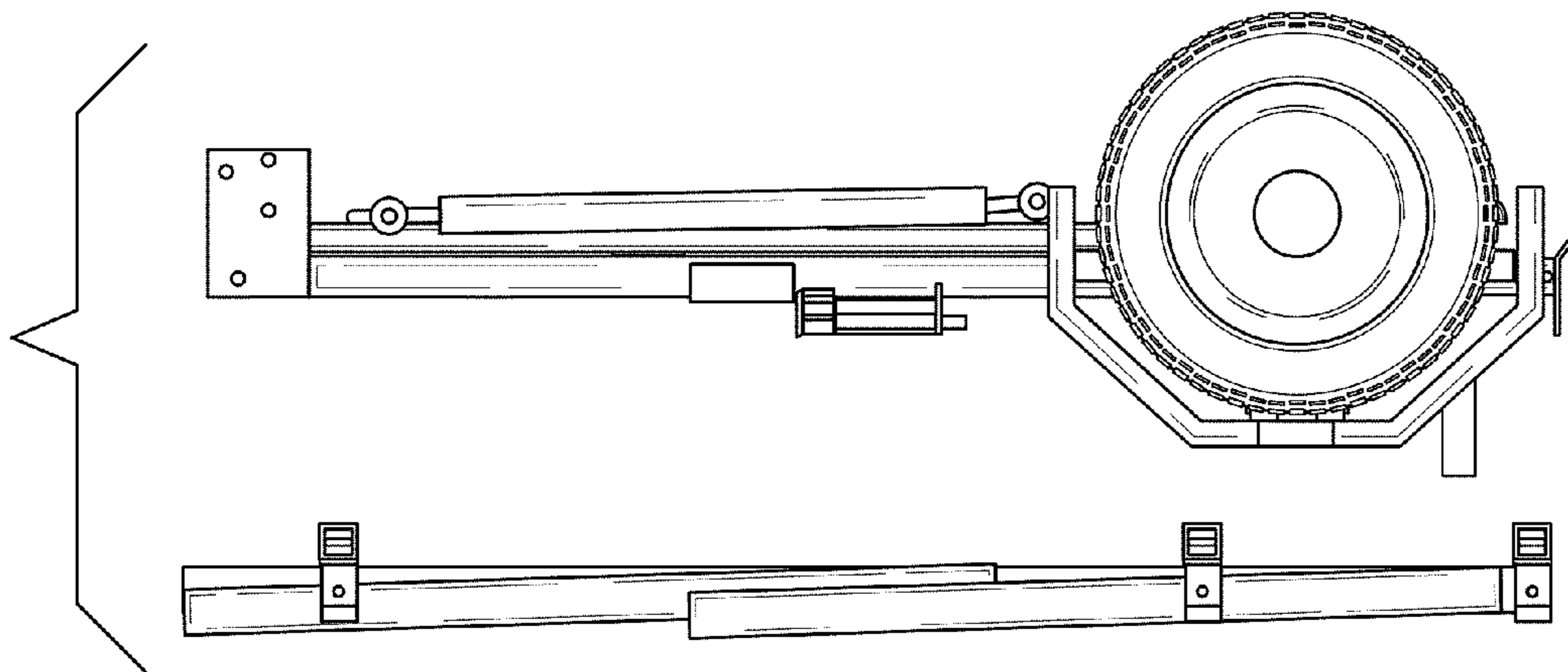


FIG. 11

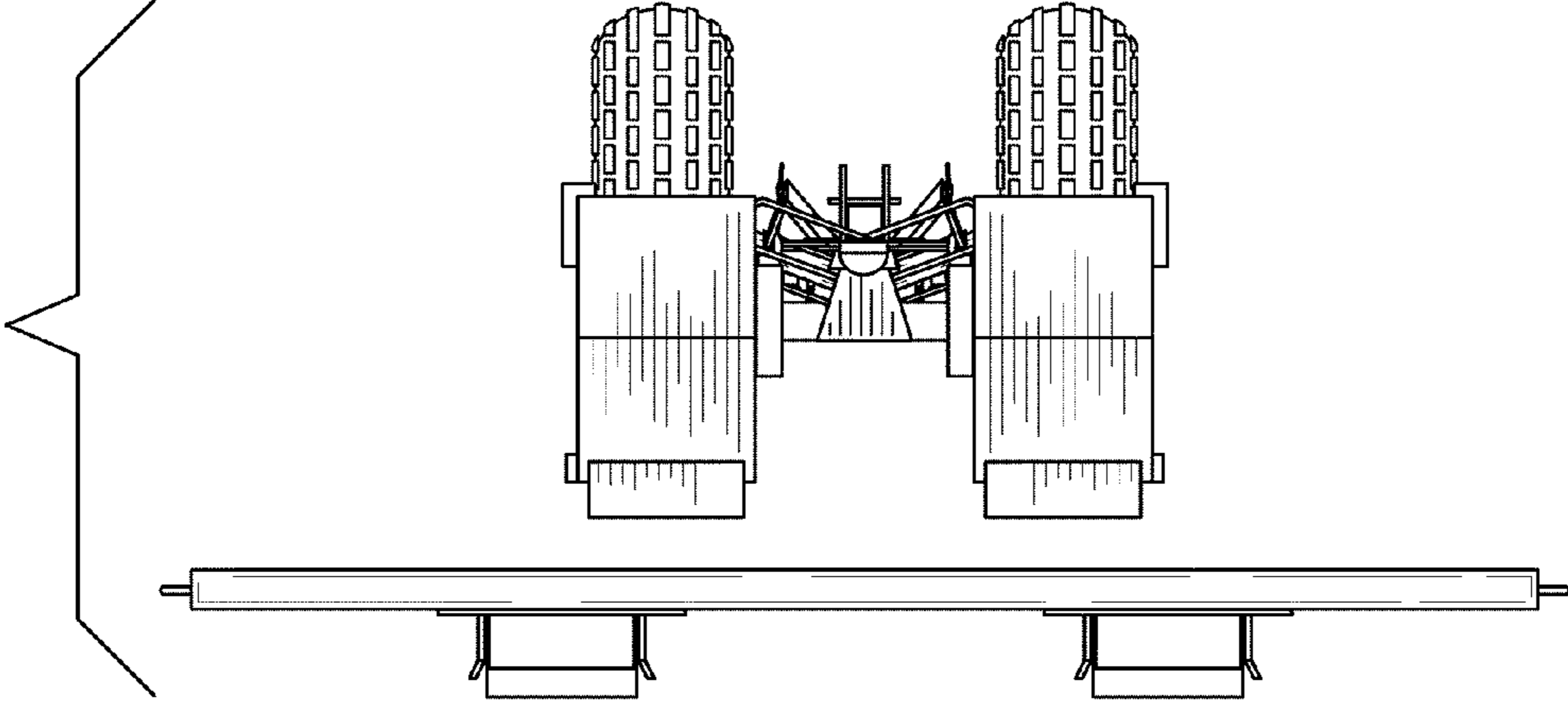


FIG. 14

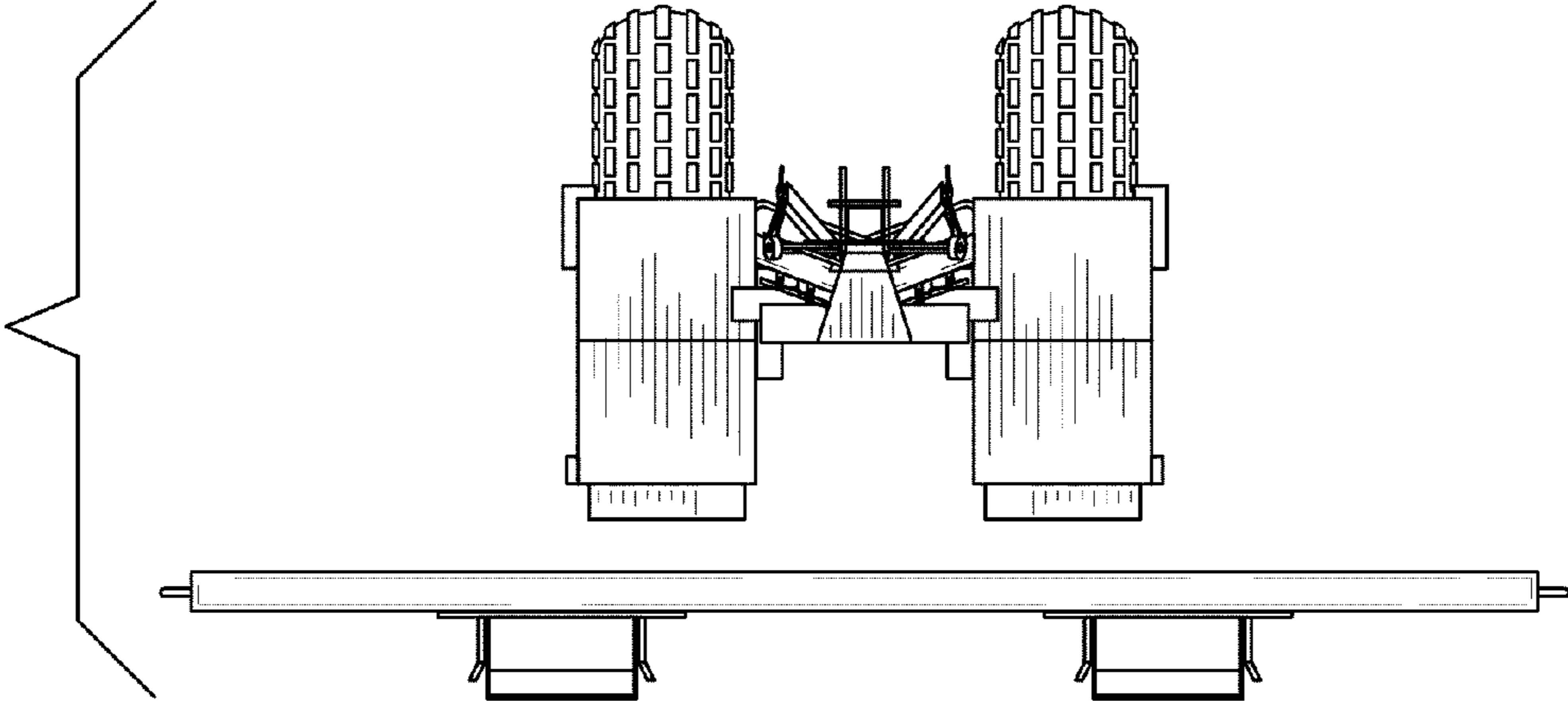


FIG. 13