



US00D648654S

(12) **United States Design Patent**  
**Bischoff et al.**

(10) **Patent No.:** **US D648,654 S**

(45) **Date of Patent:** **\*\* Nov. 15, 2011**

(54) **MOTOR VEHICLE**

(75) Inventors: **Klaus Bischoff**, Evessen (DE);  
**Christian Lesmana**, Hannover (DE);  
**Marc Lichte**, Braunschweig (DE);  
**Nisan Kucam**, Wolfsburg (DE)

(73) Assignee: **Volkswagen AG**, Wolfsburg (DE)

(\*\*) Term: **14 Years**

(21) Appl. No.: **29/386,358**

(22) Filed: **Feb. 28, 2011**

(30) **Foreign Application Priority Data**

Aug. 30, 2010 (WO) ..... 562 587 001

(51) **LOC (9) Cl.** ..... **12-08**

(52) **U.S. Cl.** ..... **D12/92**

(58) **Field of Classification Search** ..... D12/86,  
D12/90-92, 99; D21/424, 433, 434; 296/181.1,  
296/181.5

See application file for complete search history.

(56) **References Cited**

**U.S. PATENT DOCUMENTS**

D380,421 S \* 7/1997 Hoard ..... D12/91  
D385,828 S \* 11/1997 Mays ..... D12/92

D430,507 S \* 9/2000 Warkuss ..... D12/92  
D444,102 S \* 6/2001 Guillaume et al. .... D12/91  
D533,480 S \* 12/2006 Bischoff et al. .... D12/91  
D552,016 S \* 10/2007 Bischoff et al. .... D12/92

\* cited by examiner

*Primary Examiner* — Melody N Brown

(74) *Attorney, Agent, or Firm* — Lucas & Mercanti, LLP;  
Klaus P. Stoffel

(57) **CLAIM**

The ornamental design for a motor vehicle, as shown and described.

**DESCRIPTION**

FIG. 1 is a front, right side perspective view of the motor vehicle of the present invention;  
FIG. 2 is a front view thereof;  
FIG. 3 is a right side view thereof;  
FIG. 4 is a rear view thereof;  
FIG. 5 is a rear, right side perspective view thereof;  
FIG. 6 is a front, left side perspective view thereof;  
FIG. 7 is a left side view thereof;  
FIG. 8 is a rear, left side perspective view thereof;  
FIG. 9 is a top view thereof; and,  
FIG. 10 is a bottom view thereof.

**1 Claim, 6 Drawing Sheets**







Fig. 1



Fig. 2



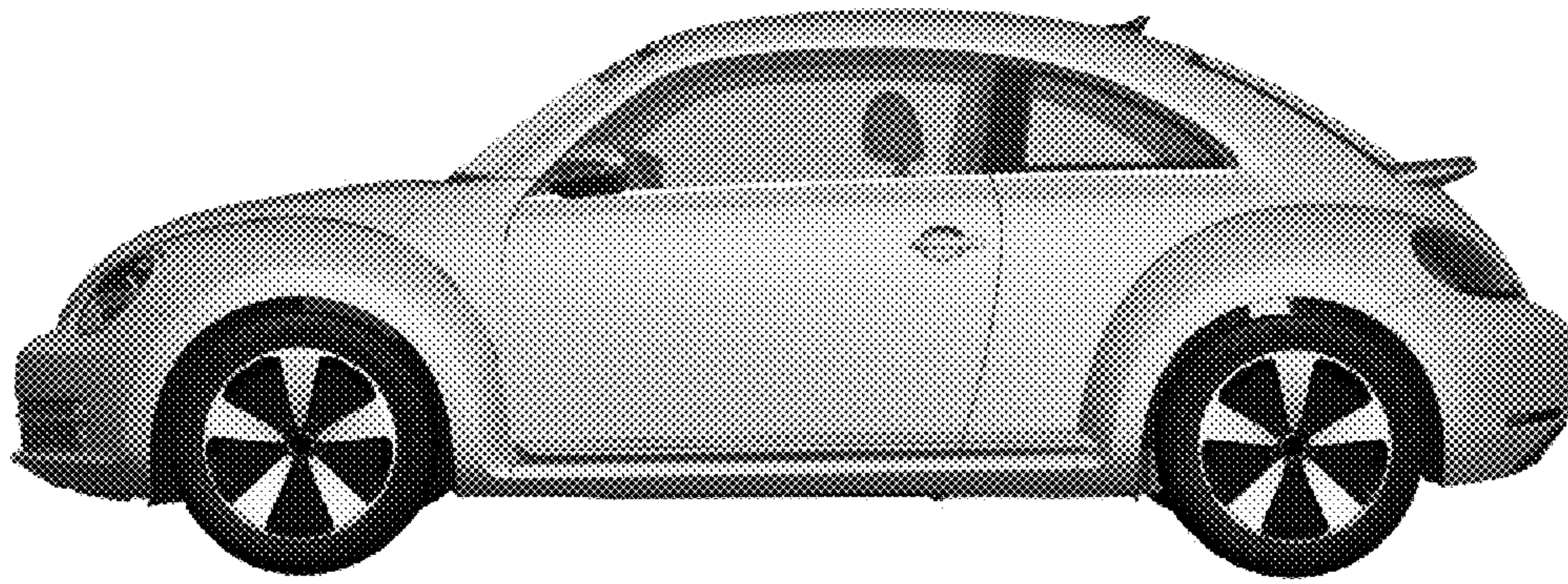
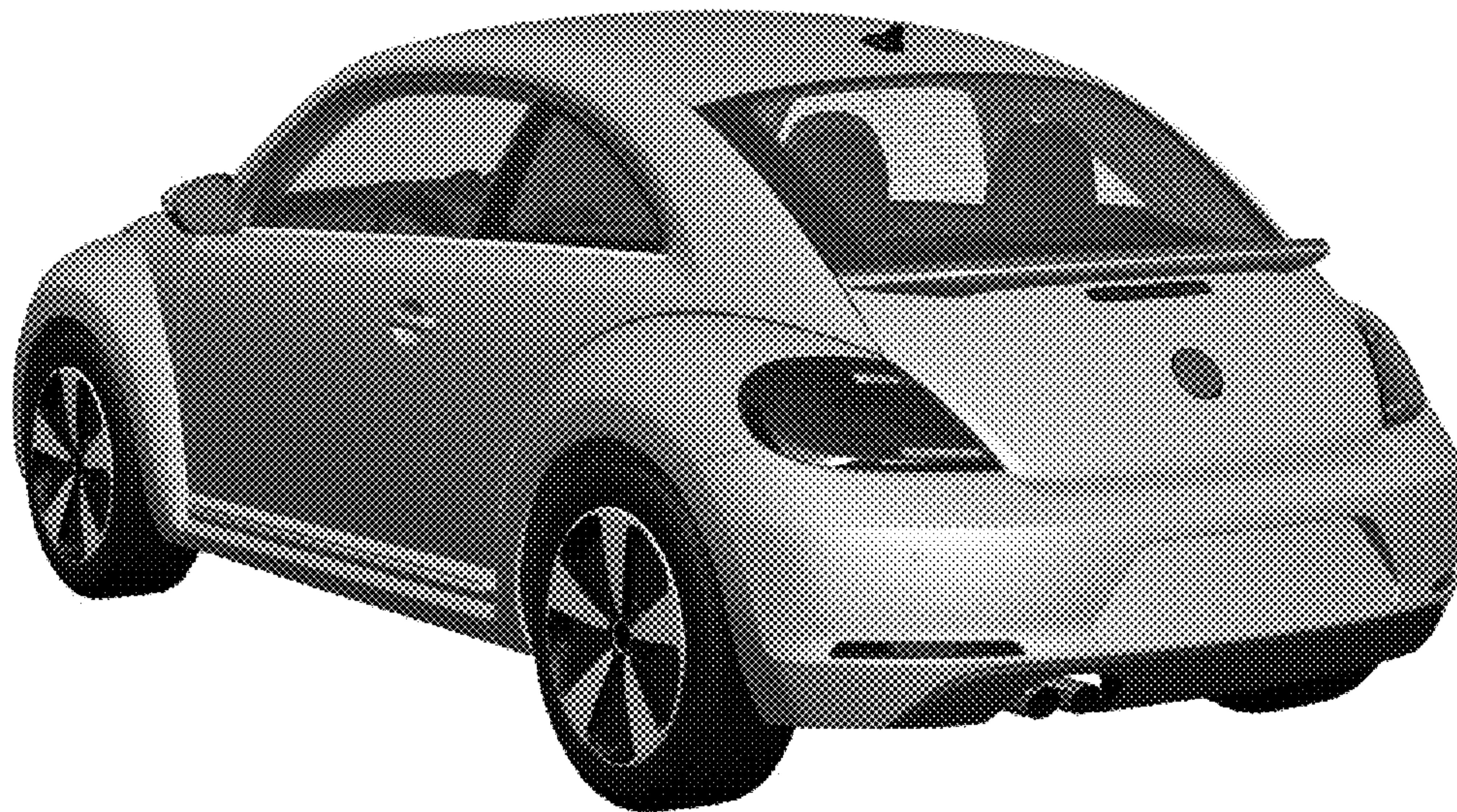


Fig. 3



Fig. 4





**Fig. 5**





Fig. 6

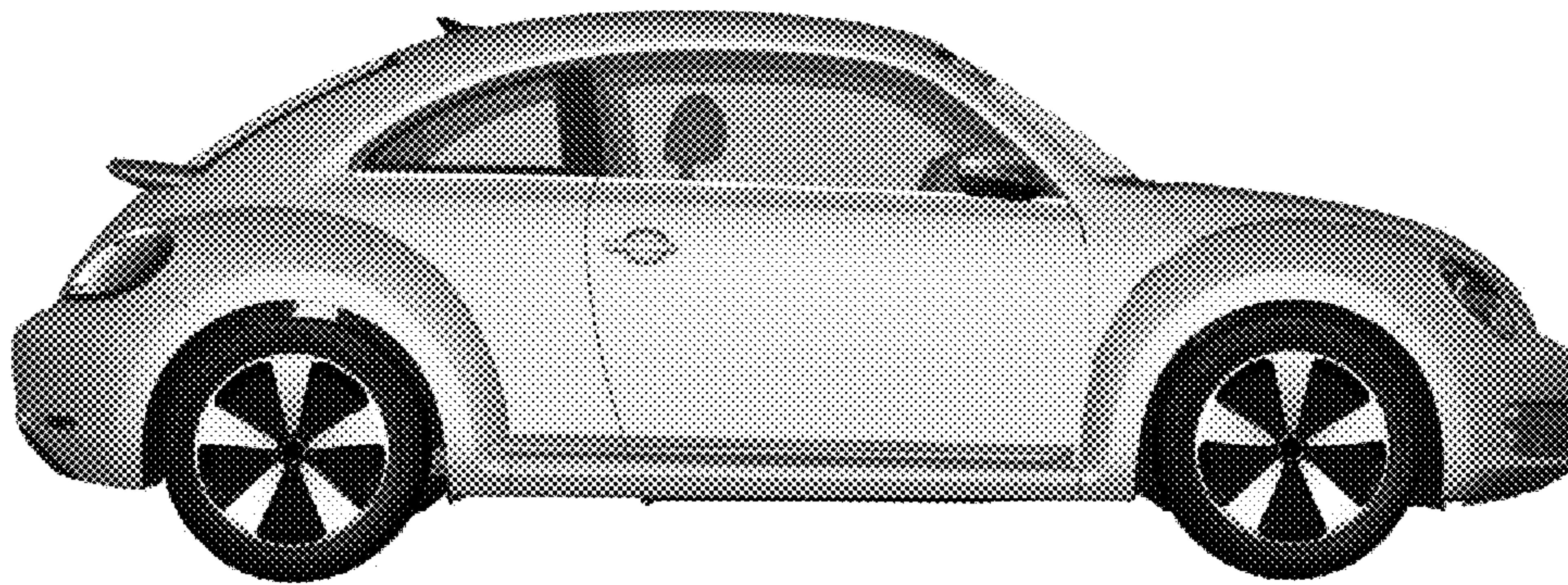


Fig. 7





Fig. 8



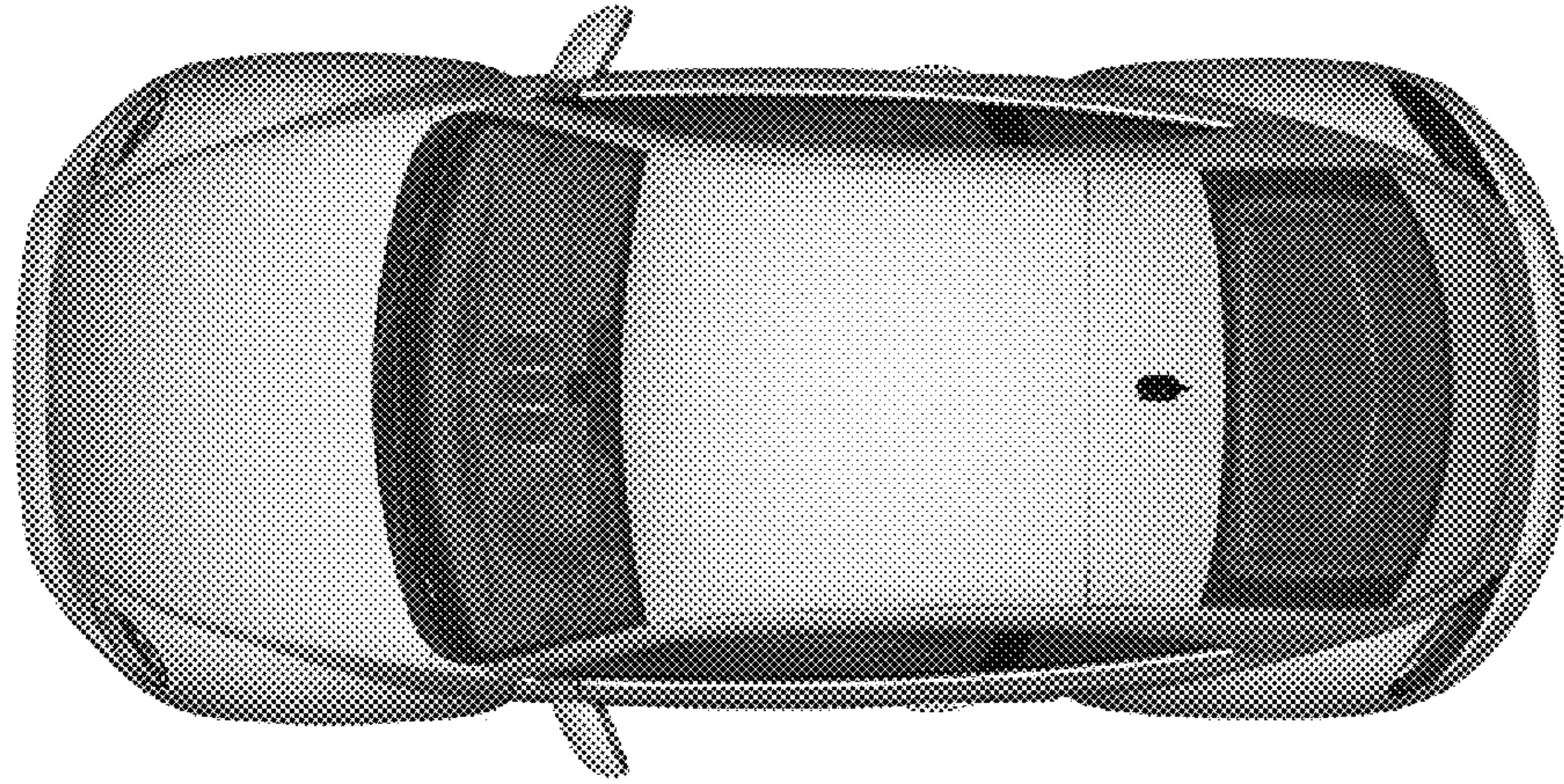


Fig. 9

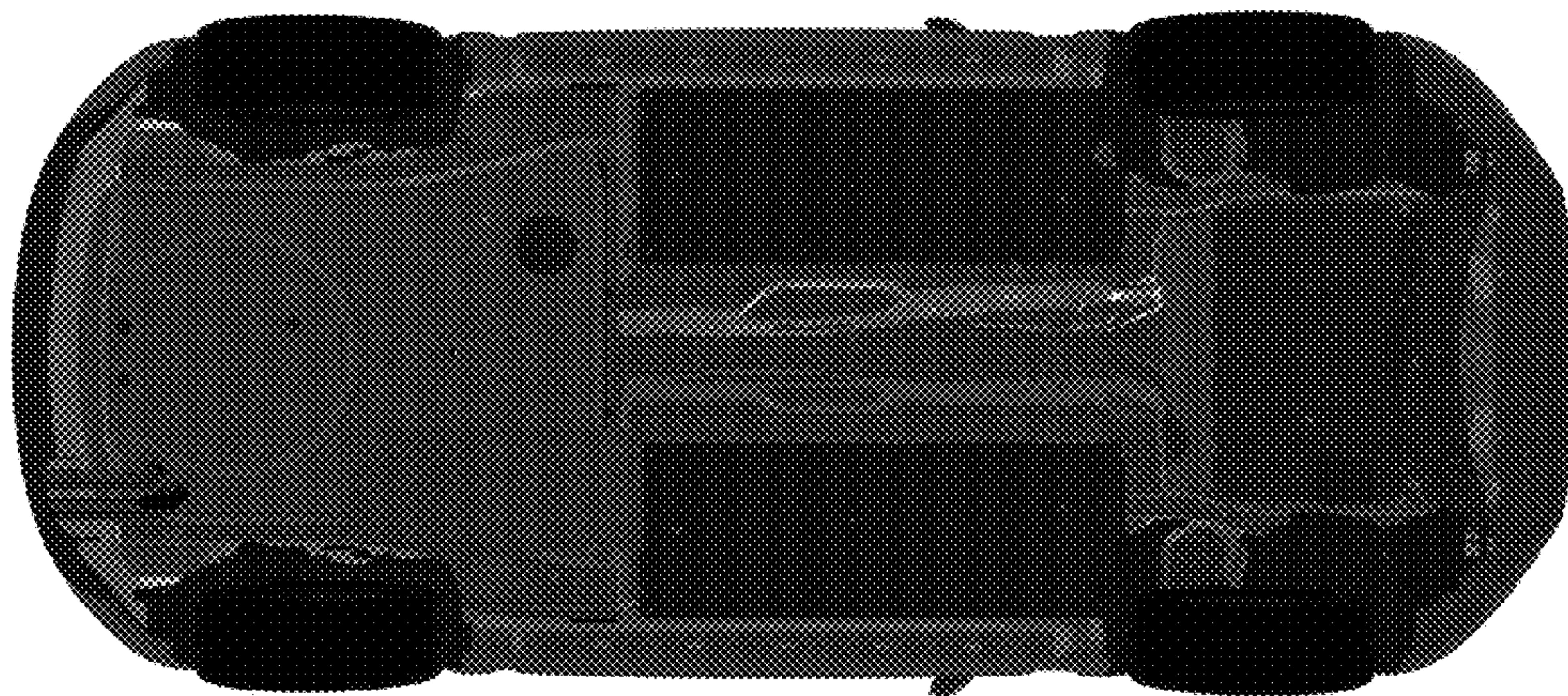


Fig. 10