



US00D648653S

(12) **United States Design Patent**
Kadoishi

(10) **Patent No.:** **US D648,653 S**

(45) **Date of Patent:** **** Nov. 15, 2011**

(54) **BELT ADJUSTER**

(75) Inventor: **Yumiko Kadoishi**, Yokohama (JP)

(73) Assignee: **NIFCO Inc.**, Yokohama, Kanagawa (JP)

(**) Term: **14 Years**

(21) Appl. No.: **29/371,309**

(22) Filed: **Dec. 28, 2010**

(30) **Foreign Application Priority Data**

Jun. 29, 2010 (JP) 2010-015854

(51) **LOC (9) Cl.** **02-07**

(52) **U.S. Cl.** **D11/218**

(58) **Field of Classification Search** D11/1-2,
D11/200-201, 206-210, 214-218; 24/163 R,
24/169-171, 173, 177-179, 191, 194-195,
24/197, 200, 614-616, 625; 240/169-171;
D3/318; 280/808

See application file for complete search history.

(56) **References Cited**

U.S. PATENT DOCUMENTS

D347,601 S * 6/1994 Anscher D11/218
D364,833 S * 12/1995 Matoba D11/218

D419,106 S * 1/2000 Uehara D11/218
D427,547 S * 7/2000 Yoshiguchi D11/218
D491,103 S * 6/2004 Uehara et al. D11/218
D507,763 S * 7/2005 Kaneko et al. D11/218
D564,409 S * 3/2008 Pontaoe D11/218
D576,076 S * 9/2008 Yoshiguchi D11/218
D576,077 S * 9/2008 Yoshiguchi D11/218

* cited by examiner

Primary Examiner — Ralf Seifert

(74) *Attorney, Agent, or Firm* — Manabu Kanesaka

(57) **CLAIM**

The ornamental design for a belt adjuster, as shown and described.

DESCRIPTION

FIG. 1 is a perspective view of a belt adjuster showing my new design;
FIG. 2 is a front view thereof;
FIG. 3 is a rear view thereof;
FIG. 4 is a right side view thereof, a left side view being symmetrical to the right side view;
FIG. 5 is a plan view thereof;
FIG. 6 is a bottom view thereof; and,
FIG. 7 is a cross-sectional view thereof taken along line 7-7 in FIG. 2.

1 Claim, 3 Drawing Sheets

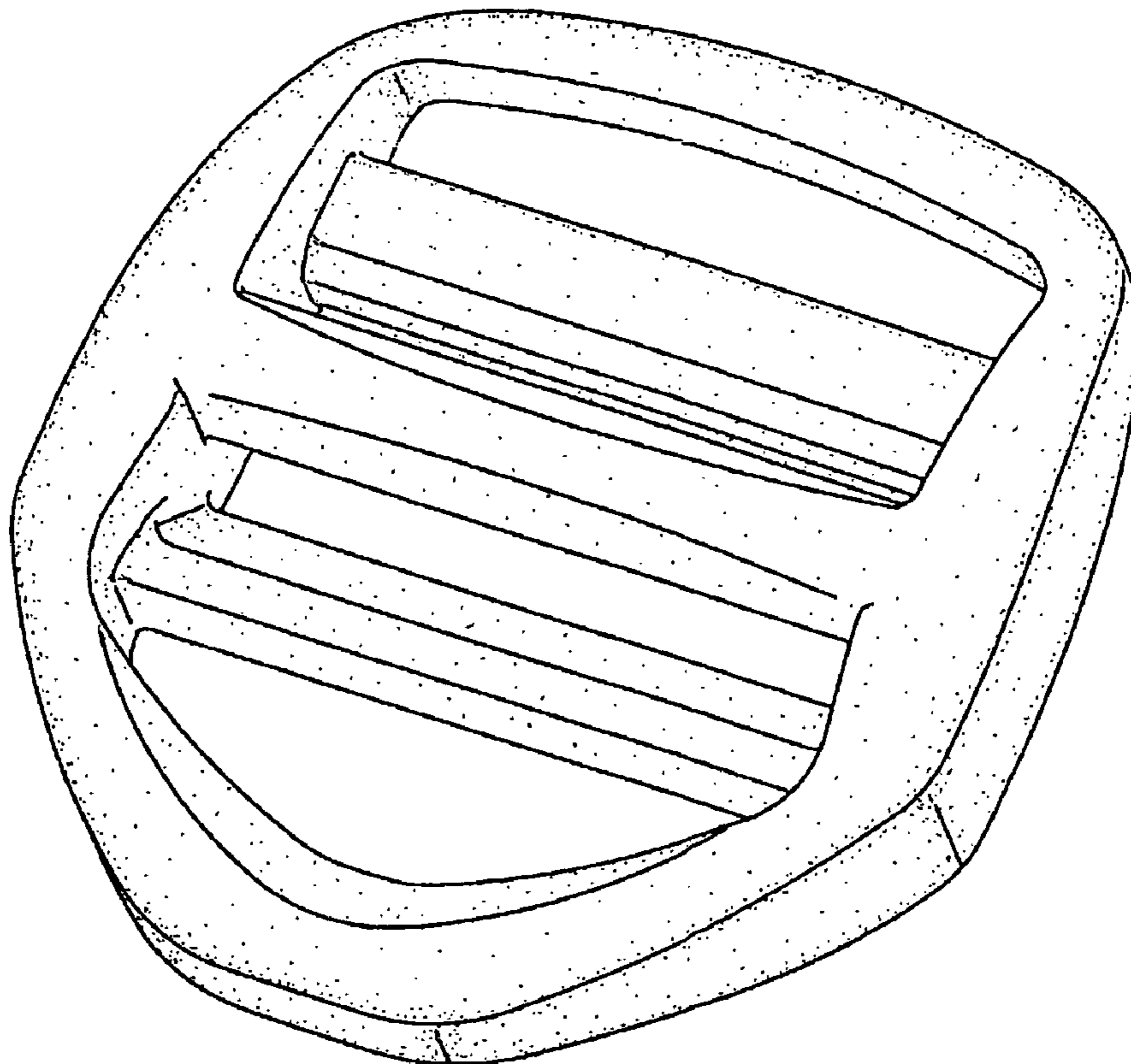
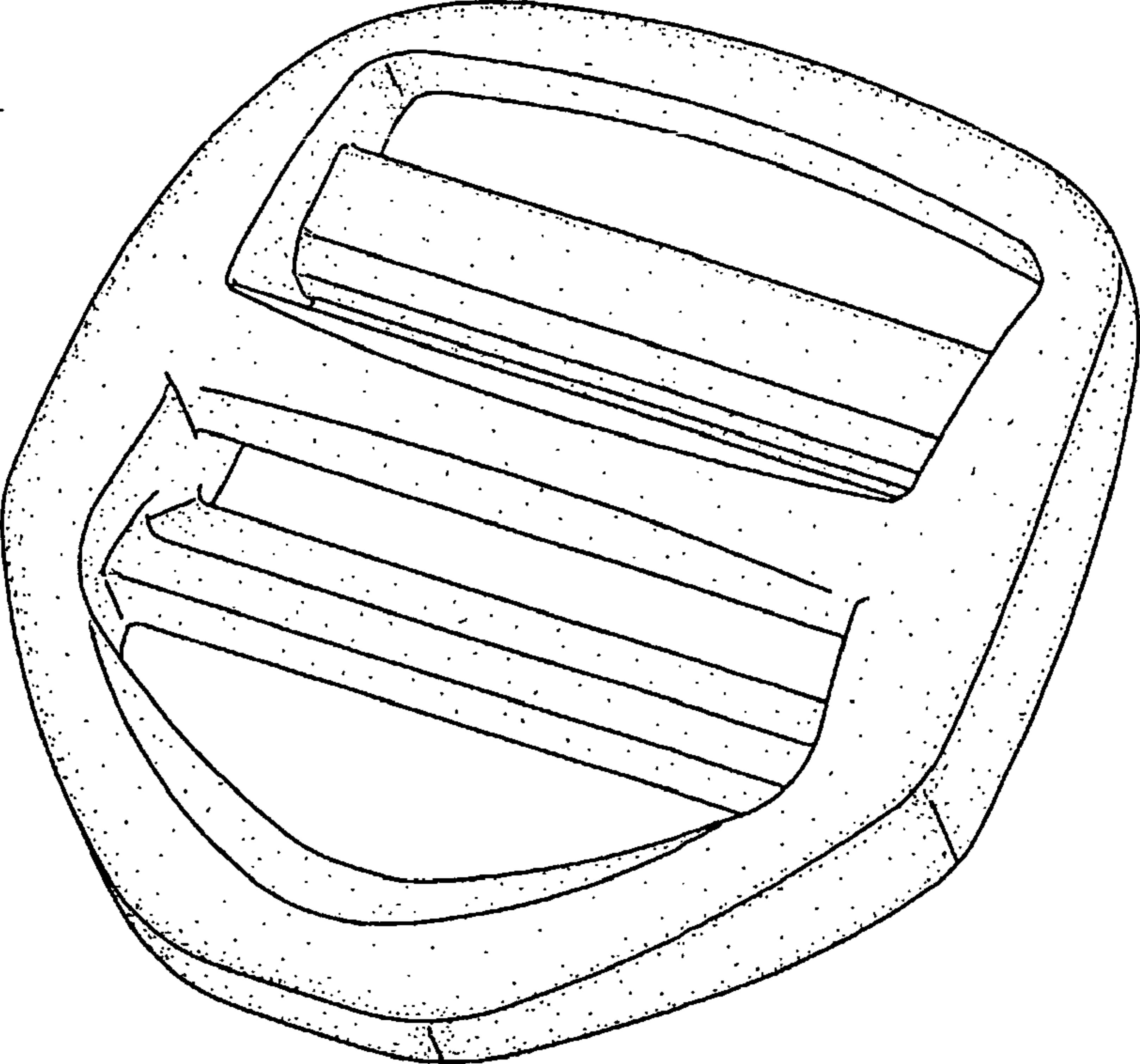
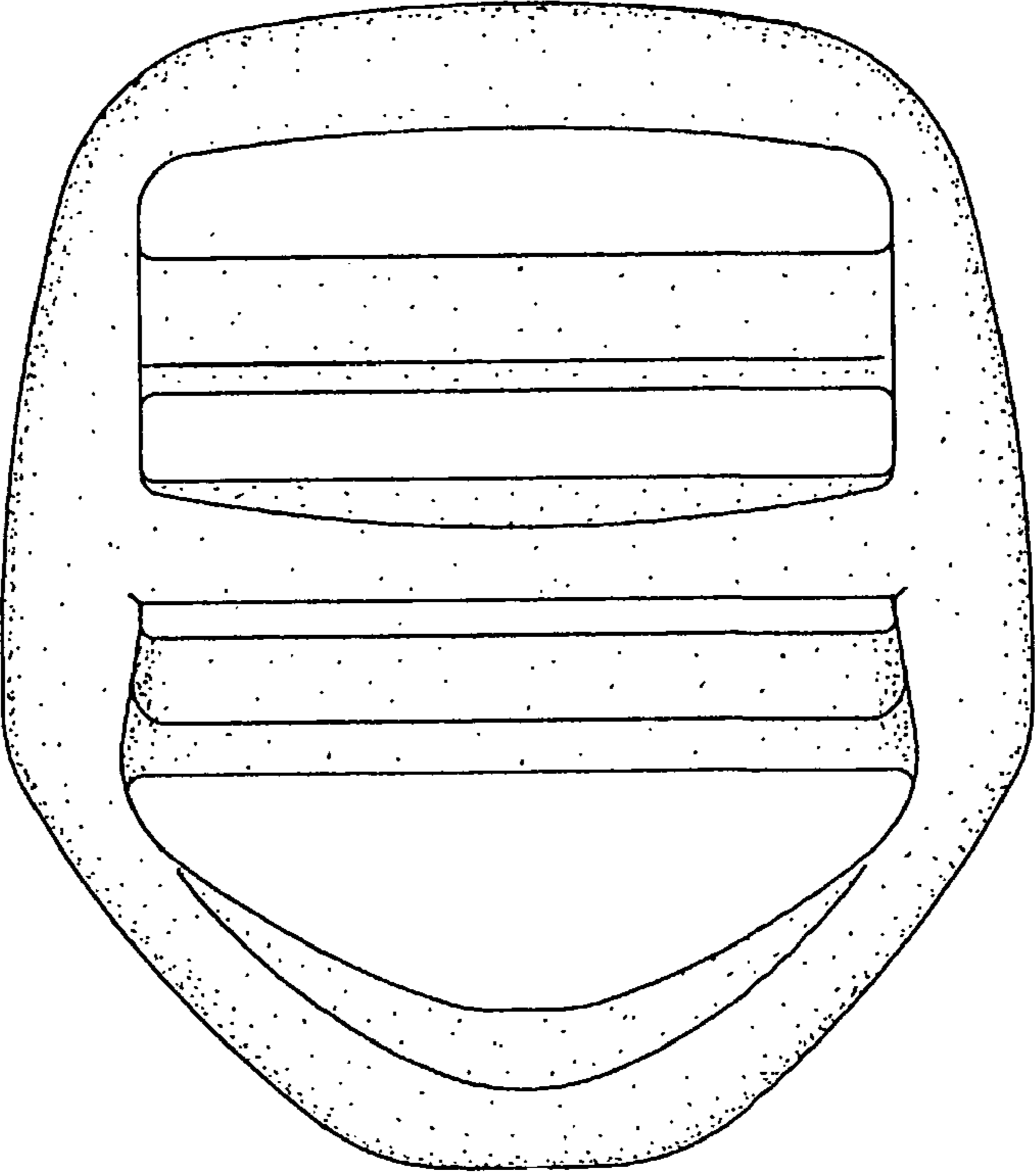


Fig. 1



7 ←

Fig. 2



7 ←

Fig. 3

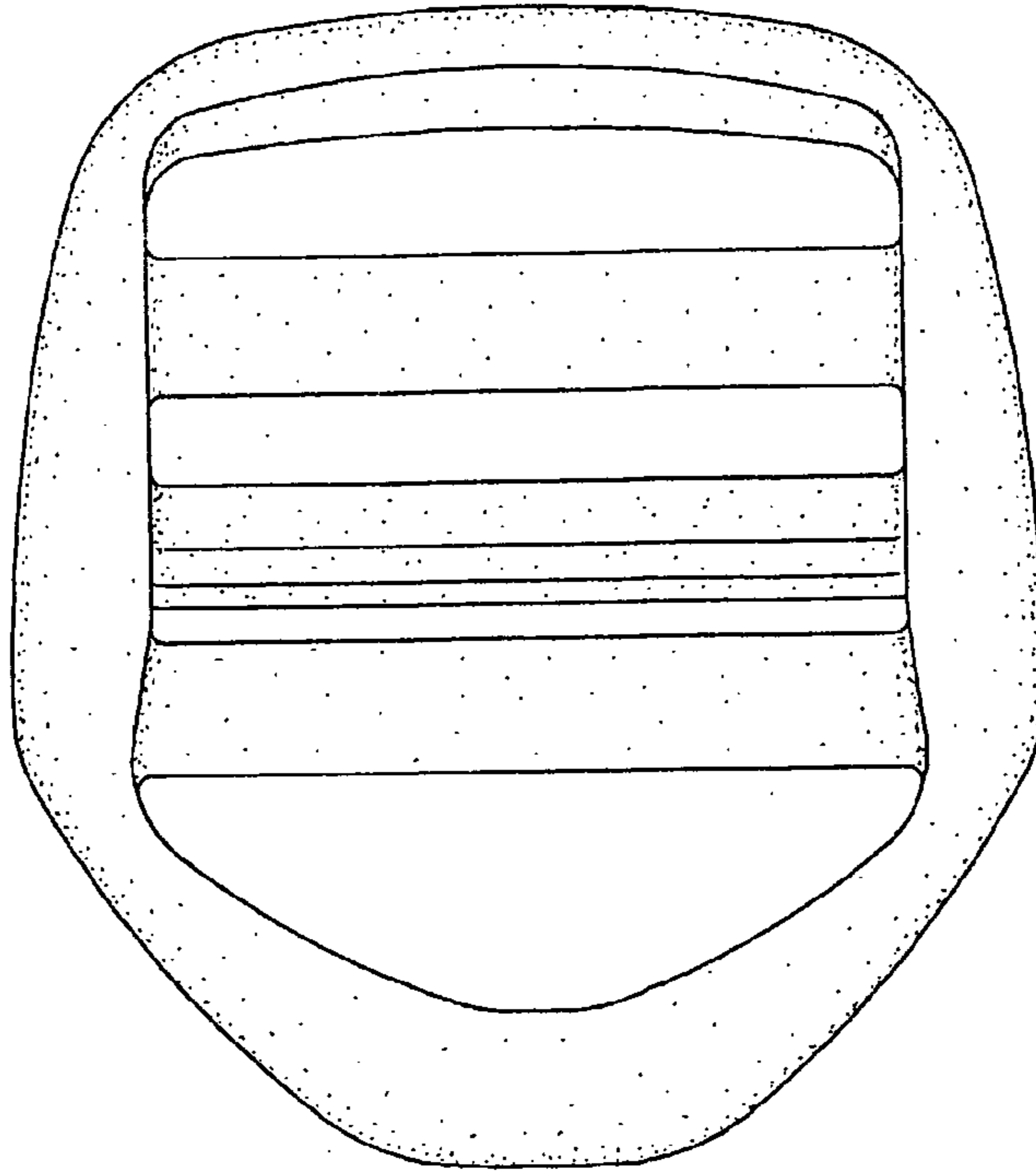


Fig. 4

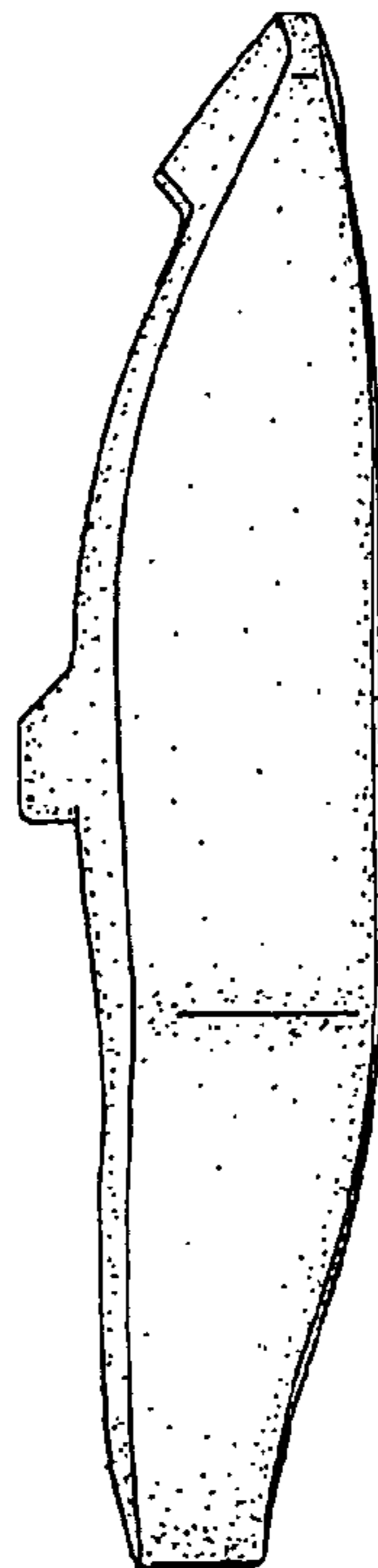


Fig. 5

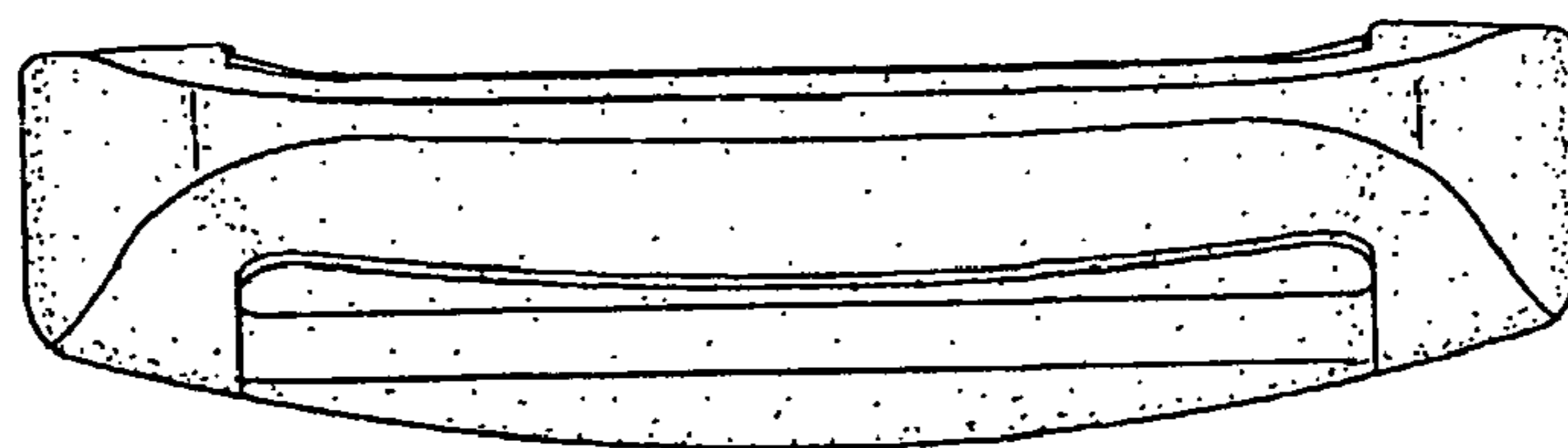


Fig. 6

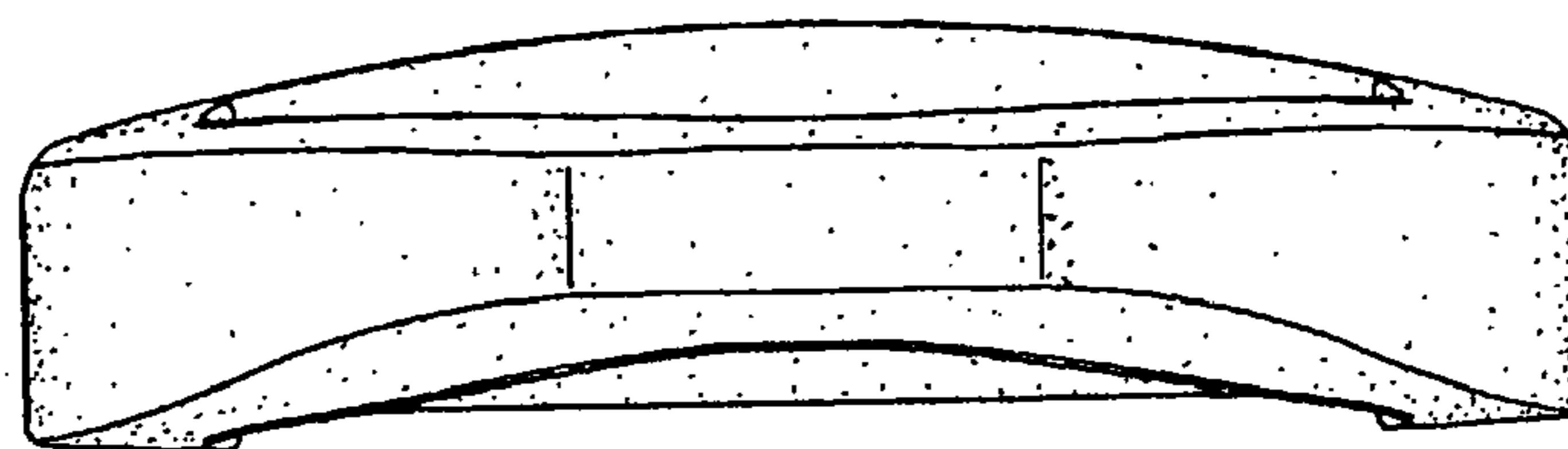


Fig. 7

