



US00D648643S

(12) **United States Design Patent**  
**Battenberg et al.**

(10) **Patent No.:** **US D648,643 S**

(45) **Date of Patent:** **\*\* Nov. 15, 2011**

(54) **NOISE MONITOR**

(75) Inventors: **Philip J. Battenberg**, Oconomowoc, WI (US); **William J. Nielsen**, Oconomowoc, WI (US); **Michael G. Wurm**, Waukesha, WI (US); **Patrick J. Kilps**, Hubertus, WI (US); **Thomas E. King**, Palo Alto, CA (US); **Jeffrey M. Smits**, Fond du Lac, WI (US)

(73) Assignee: **3M Innovative Properties Company**, St. Paul, MN (US)

(\*\*) Term: **14 Years**

(21) Appl. No.: **29/346,362**

(22) Filed: **Oct. 30, 2009**

(51) **LOC (9) Cl.** ..... **10-05**

(52) **U.S. Cl.** ..... **D10/103**

(58) **Field of Classification Search** ..... D10/46,  
D10/78, 103; 73/573, 646; 340/539.12,  
340/539, 26, 541, 573.1; 381/56, 57, 72,  
381/94.1; 600/300

See application file for complete search history.

(56) **References Cited**

**U.S. PATENT DOCUMENTS**

4,593,696	A	6/1986	Hochmair et al.	
6,016,099	A	1/2000	Campman	
6,067,006	A	5/2000	O'Brien	
6,456,199	B1	9/2002	Michael	
6,941,952	B1	9/2005	Rush	
7,003,123	B2	2/2006	Kanevsky et al.	
7,015,812	B1	3/2006	Lemchen	
7,151,835	B2	12/2006	Yonovitz et al.	
D546,216	S *	7/2007	Bolognesi et al.	D10/81
D546,218	S *	7/2007	Grasso et al.	D10/81
D552,496	S *	10/2007	Janky et al.	D10/78
D555,021	S *	11/2007	Rounds et al.	D10/81
D576,902	S	9/2008	Schwanitz et al.	
D587,614	S	3/2009	Schwanitz et al.	
2005/0001728	A1	1/2005	Appelt et al.	

2005/0244013	A1	11/2005	Batterberg et al.
2005/0254666	A1	11/2005	Michael
2005/0254667	A1	11/2005	Michael
2006/0078150	A1	4/2006	Knorr et al.

**FOREIGN PATENT DOCUMENTS**

AT	44873	B	4/1992
AU	199661949	A1	2/1997
AU	200035139	A	9/2001
AU	20072224	A	6/2002
BR	8700334	A	1/1997
DE	2619947	B	11/1977
DE	4137605	C2	5/1993
DE	19926820	C2	12/2000
DE	202005016678	U1	3/2006
EP	1629801	A1	3/2006
ES	2255816	A1	9/2006
FR	27087731	A1	2/1995
FR	2830724	A1	4/2003
FR	2882433	A1	8/2006
JP	2005/158041	A	8/2005
KR	20020013042		4/2004
NL	1024285	C6	3/2005
TW	237550	B1	7/1982

(Continued)

*Primary Examiner* — Antoine D Davis

(57) **CLAIM**

The ornamental design for a noise monitor, as shown and described.

**DESCRIPTION**

FIG. 1 is a perspective view of a noise monitor showing the new design.

FIG. 2 is a side view thereof;

FIG. 3 is a bottom view thereof;

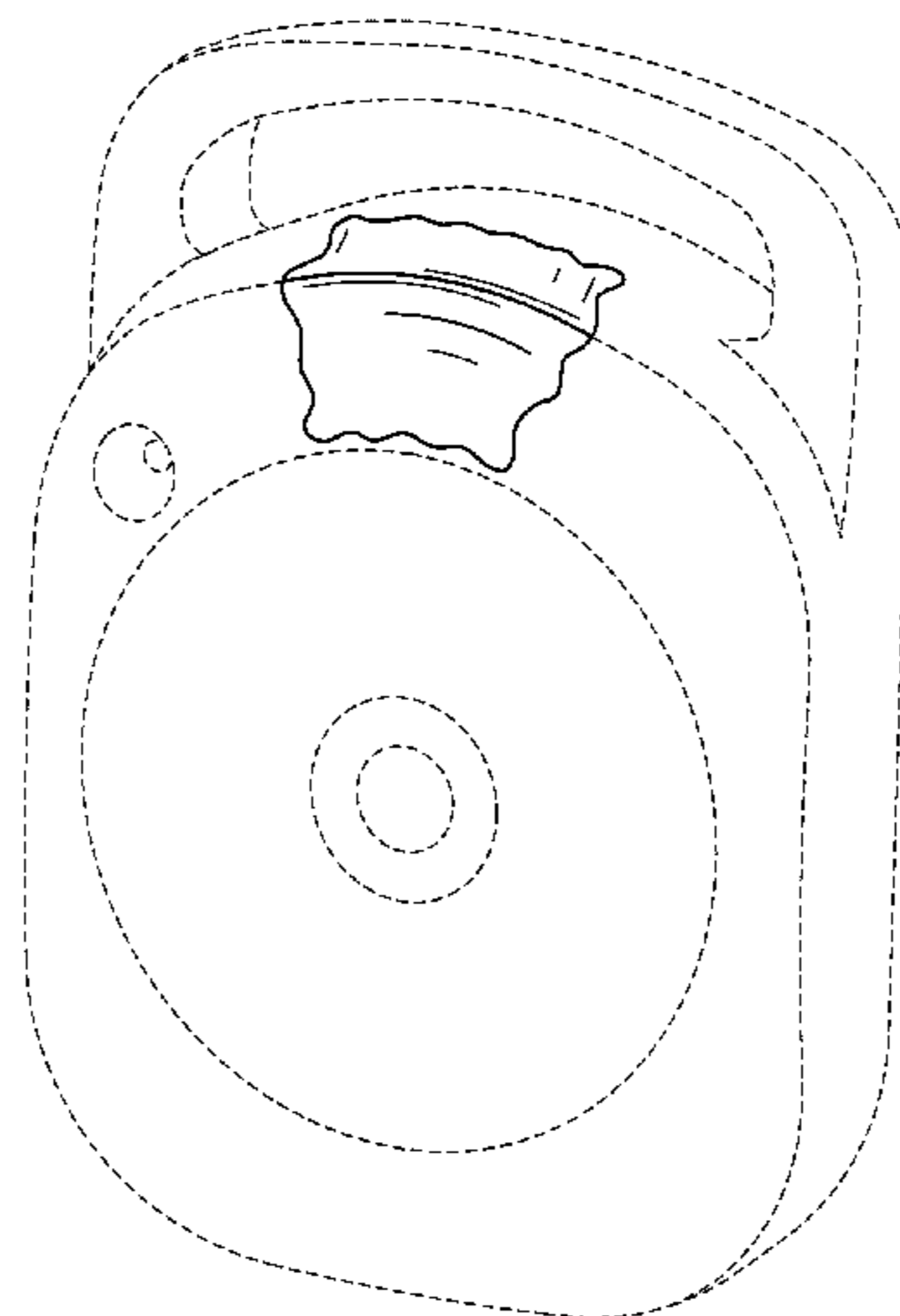
FIG. 4 is a top view thereof;

FIG. 5 is a front view thereof; and,

FIG. 6 is a back view thereof.

The broken line showing of structural features is included for the purpose of illustrating non-claimed subject matter and forms no part of the claimed design.

**1 Claim, 4 Drawing Sheets**

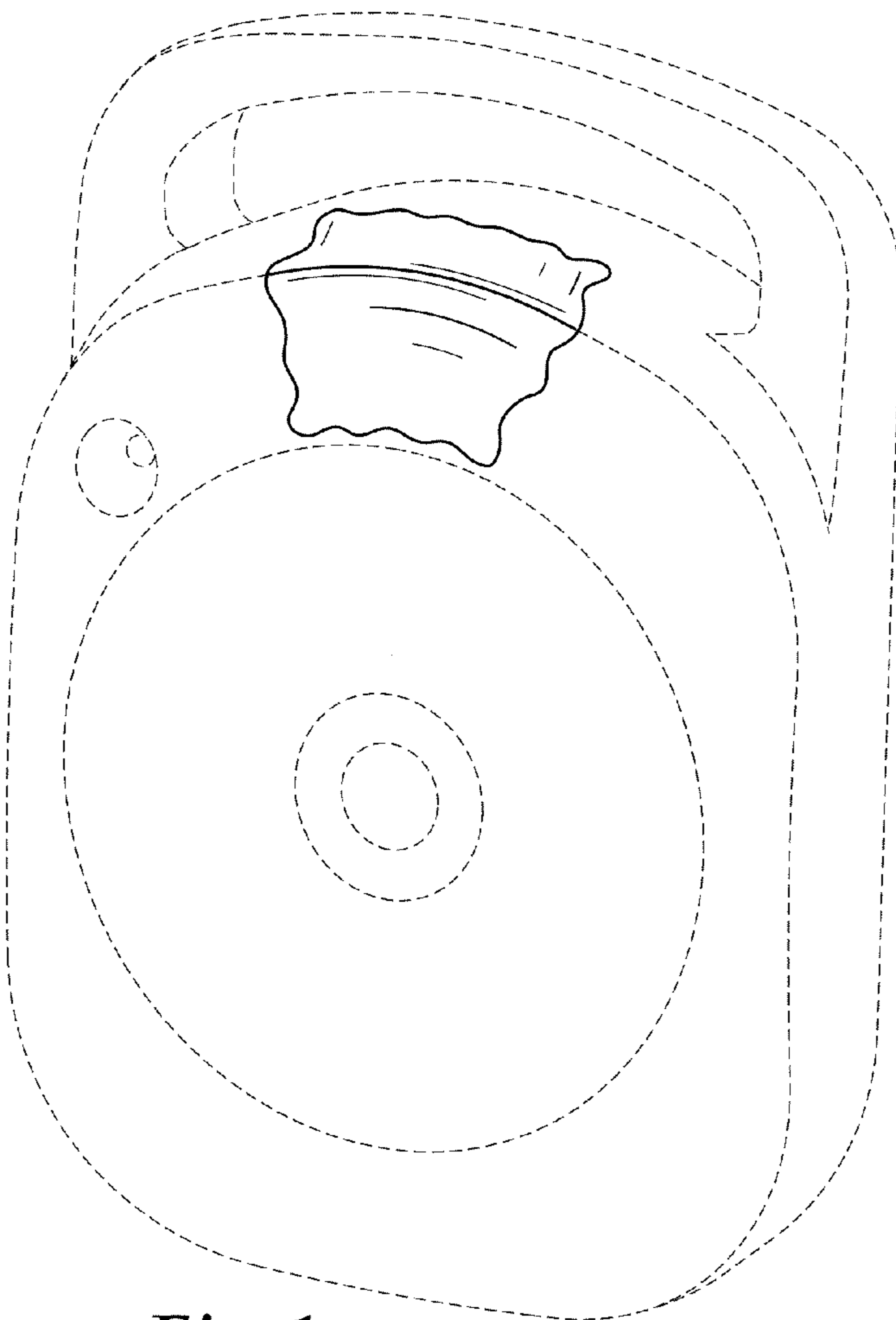


# US D648,643 S

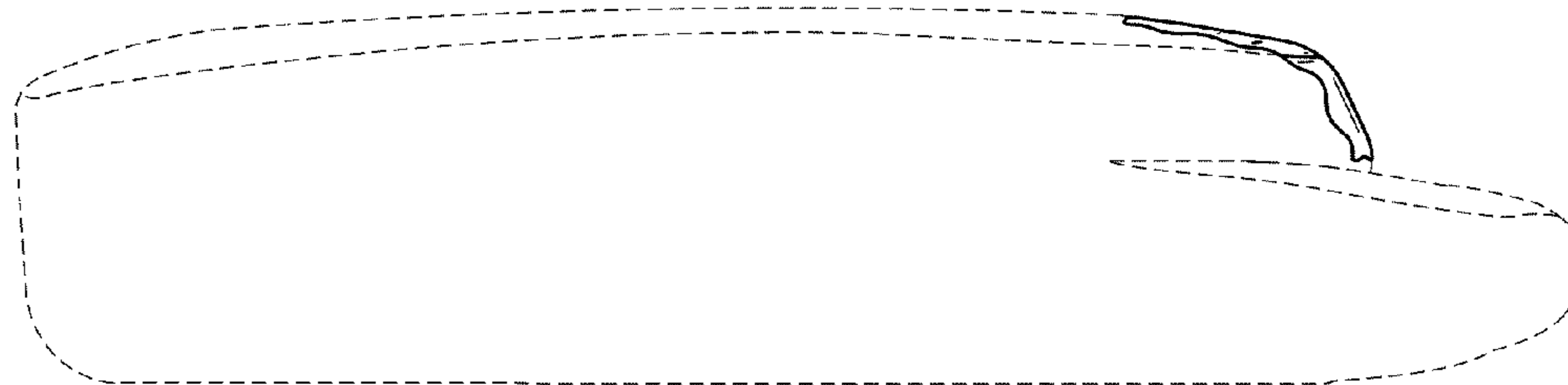
Page 2

---

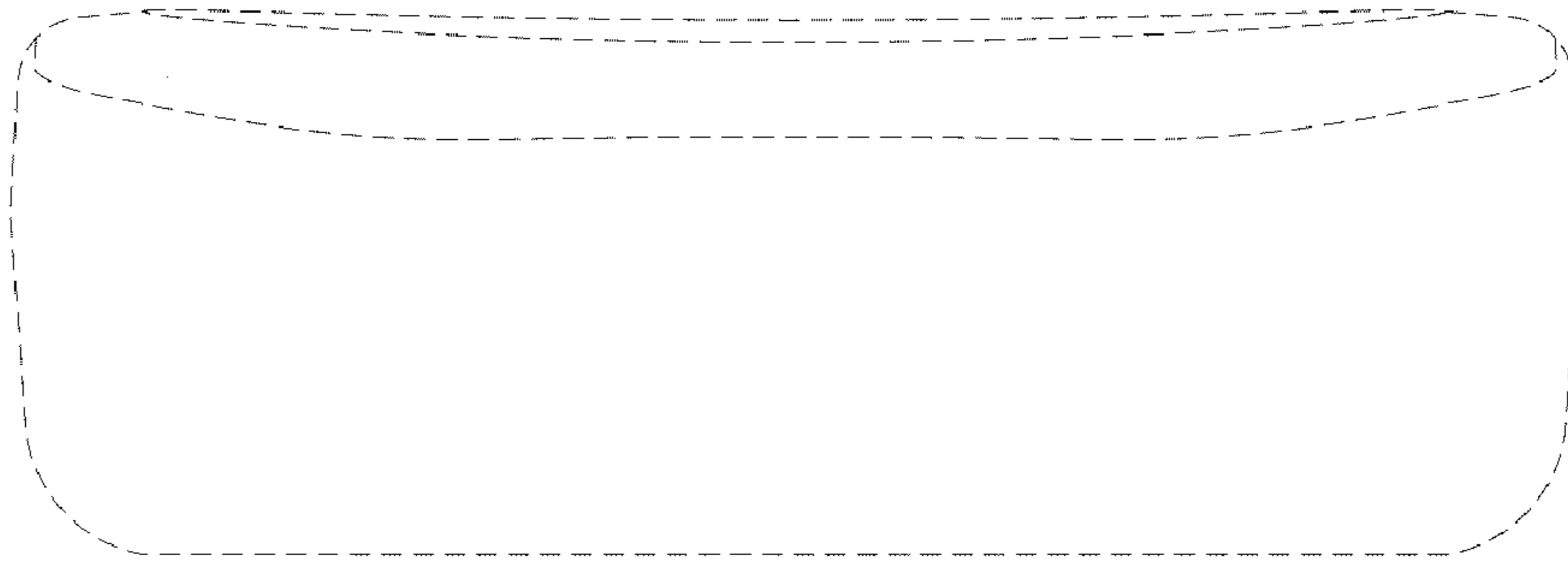
	FOREIGN PATENT DOCUMENTS			
WO	01/66054 A1	9/2001	WO	2006/043028 A1 4/2006
WO	2005/094743 A1	10/2005	WO	2006/074253 A1 7/2006
				* cited by examiner



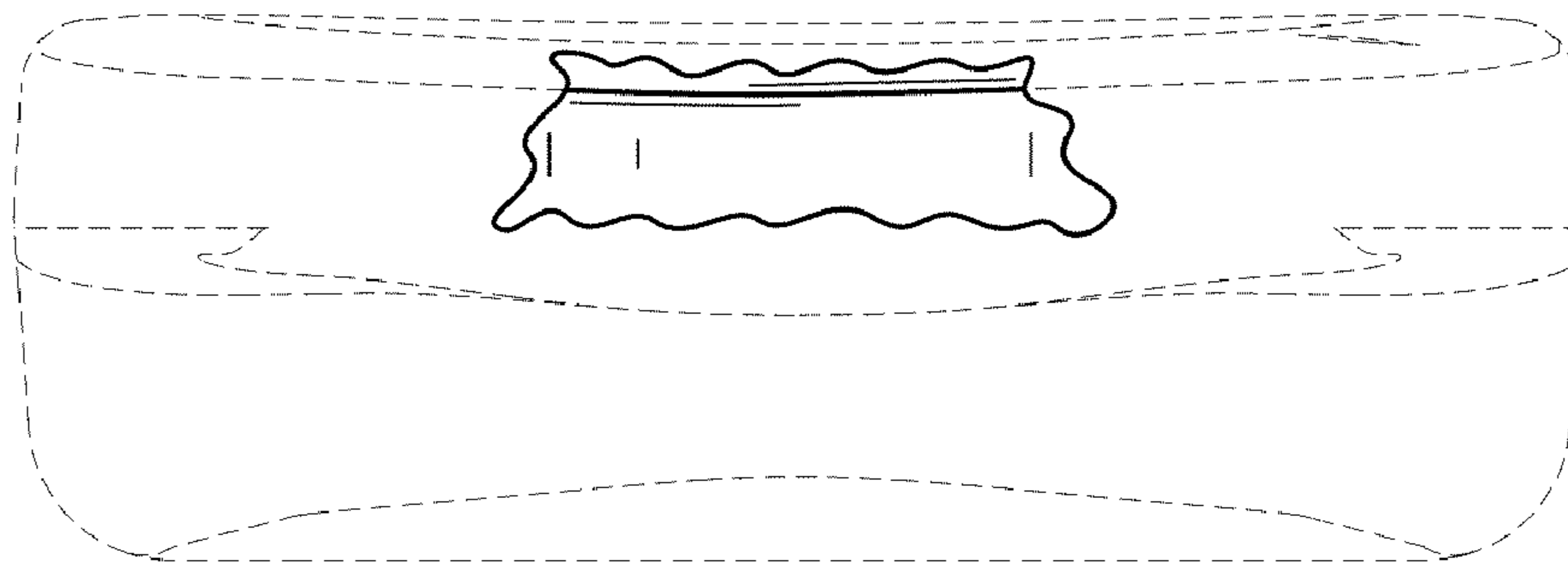
*Fig. 1*



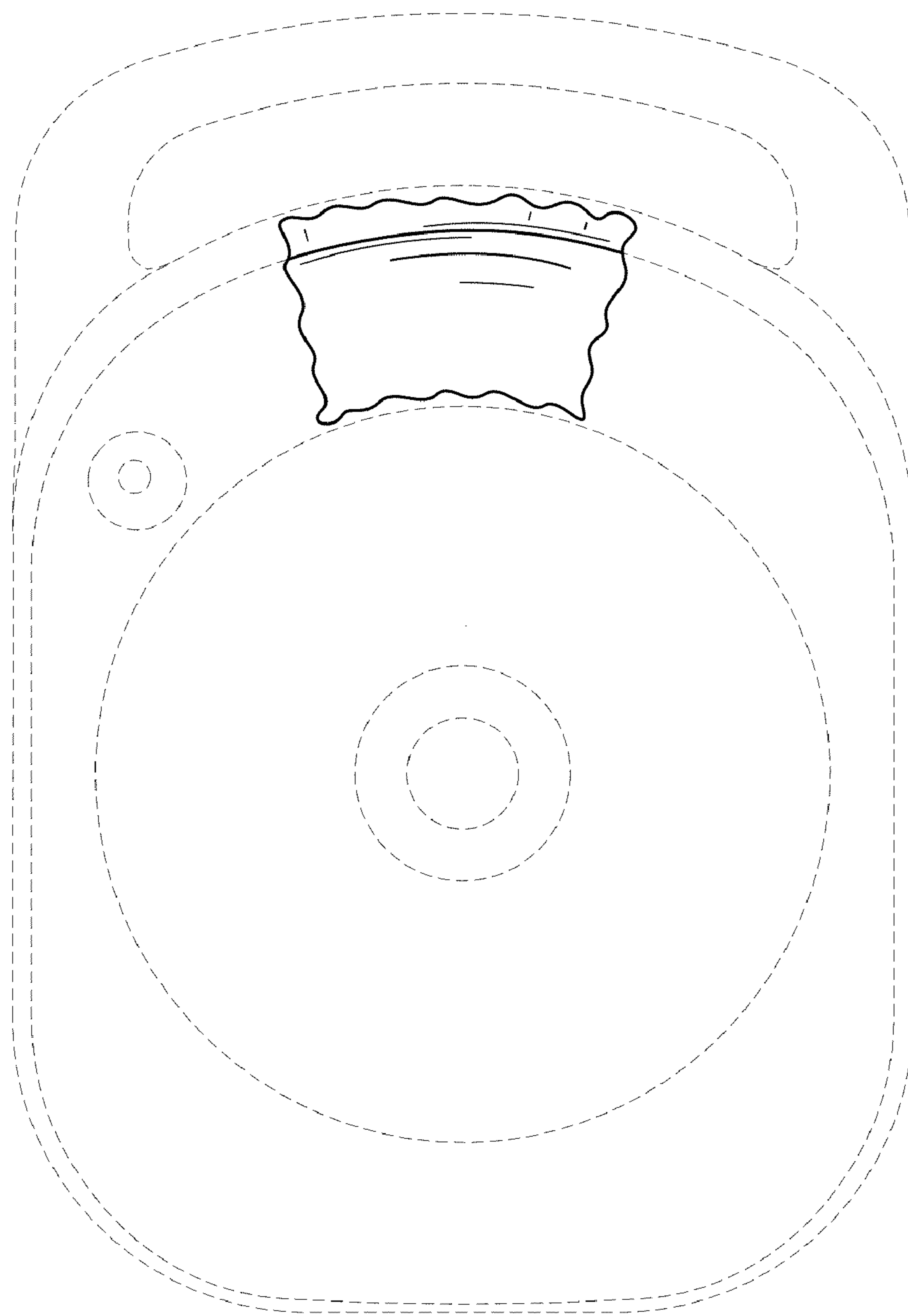
*Fig. 2*



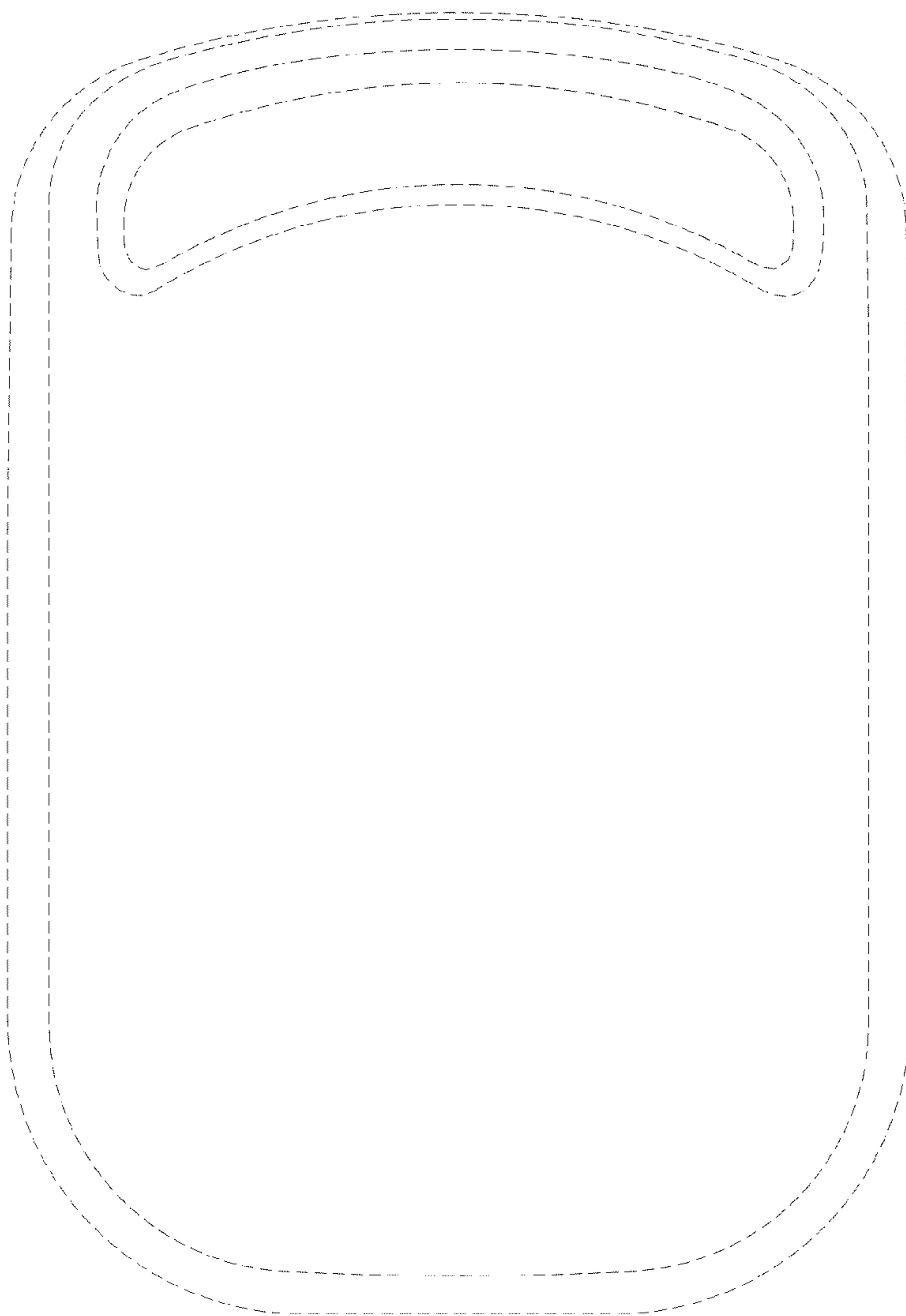
*Fig. 3*



*Fig. 4*



*Fig. 5*



*Fig. 6*

UNITED STATES PATENT AND TRADEMARK OFFICE  
**CERTIFICATE OF CORRECTION**

PATENT NO. : D648,643 S  
APPLICATION NO. : 29/346362  
DATED : November 15, 2011  
INVENTOR(S) : Philip J Battenberg et al.

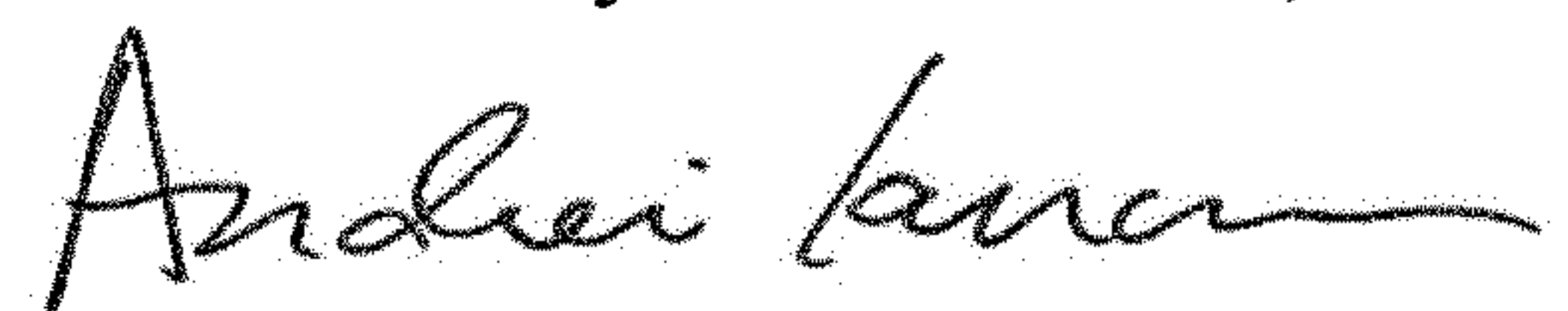
Page 1 of 1

It is certified that error appears in the above-identified patent and that said Letters Patent is hereby corrected as shown below:

On the Title Page

“Item [73] Assignee:”, insert -- 3M Innovative Properties Company, St. Paul, Minnesota --.

Signed and Sealed this  
Eleventh Day of December, 2018



Andrei Iancu  
*Director of the United States Patent and Trademark Office*