

US00D648629S

(12) **United States Design Patent**  
**Zomorodi et al.**

(10) **Patent No.:** **US D648,629 S**

(45) **Date of Patent:** **\*\* Nov. 15, 2011**

(54) **PARFAIT CUP**

(75) Inventors: **Brian Zomorodi**, La Canada Flintridge, CA (US); **Loys Larpin**, Monrovia, CA (US)

(73) Assignee: **Ready Pac Foods, Inc.**, Irwindale, CA (US)

(\*\*) Term: **14 Years**

(21) Appl. No.: **29/364,057**

(22) Filed: **Jun. 17, 2010**

**Related U.S. Application Data**

(63) Continuation of application No. 29/363,796, filed on Jun. 14, 2010.

(51) **LOC (9) Cl.** ..... **09-07**

(52) **U.S. Cl.** ..... **D9/452**

(58) **Field of Classification Search** ..... D9/454,  
D9/452, 438, 434, 429, 428, 425, 424, 416;  
D7/396.1, 396.2, 392.1; 220/791, 675, 657-669,  
220/4.21, 288, 266

See application file for complete search history.

(56) **References Cited**

**U.S. PATENT DOCUMENTS**

3,583,596 A \* 6/1971 Brewer ..... 220/781  
4,421,244 A \* 12/1983 Van Melle ..... 220/781

D381,267 S \* 7/1997 Rush et al. .... D9/452  
D381,268 S \* 7/1997 Rush et al. .... D9/452  
D560,120 S \* 1/2008 Maravich et al. .... D9/454  
D564,354 S \* 3/2008 Maravich et al. .... D9/452  
D574,238 S \* 8/2008 Walker et al. .... D9/452  
D585,279 S \* 1/2009 Walker et al. .... D9/452  
D625,599 S \* 10/2010 Golota et al. .... D9/429  
D638,279 S \* 5/2011 Plato ..... D8/334

\* cited by examiner

*Primary Examiner* — Susan Bennett Hattan

(74) *Attorney, Agent, or Firm* — Jones Day

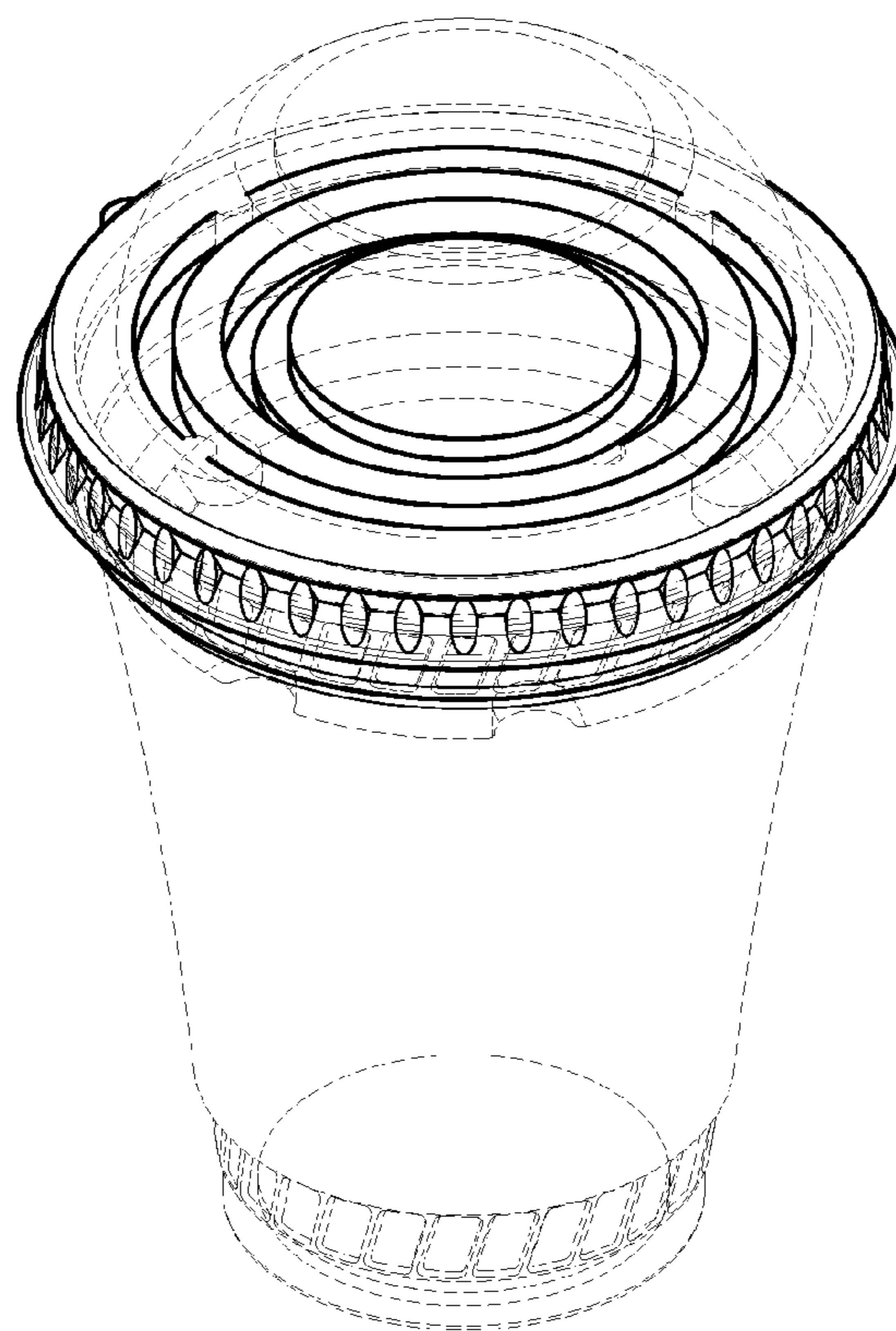
(57) **CLAIM**

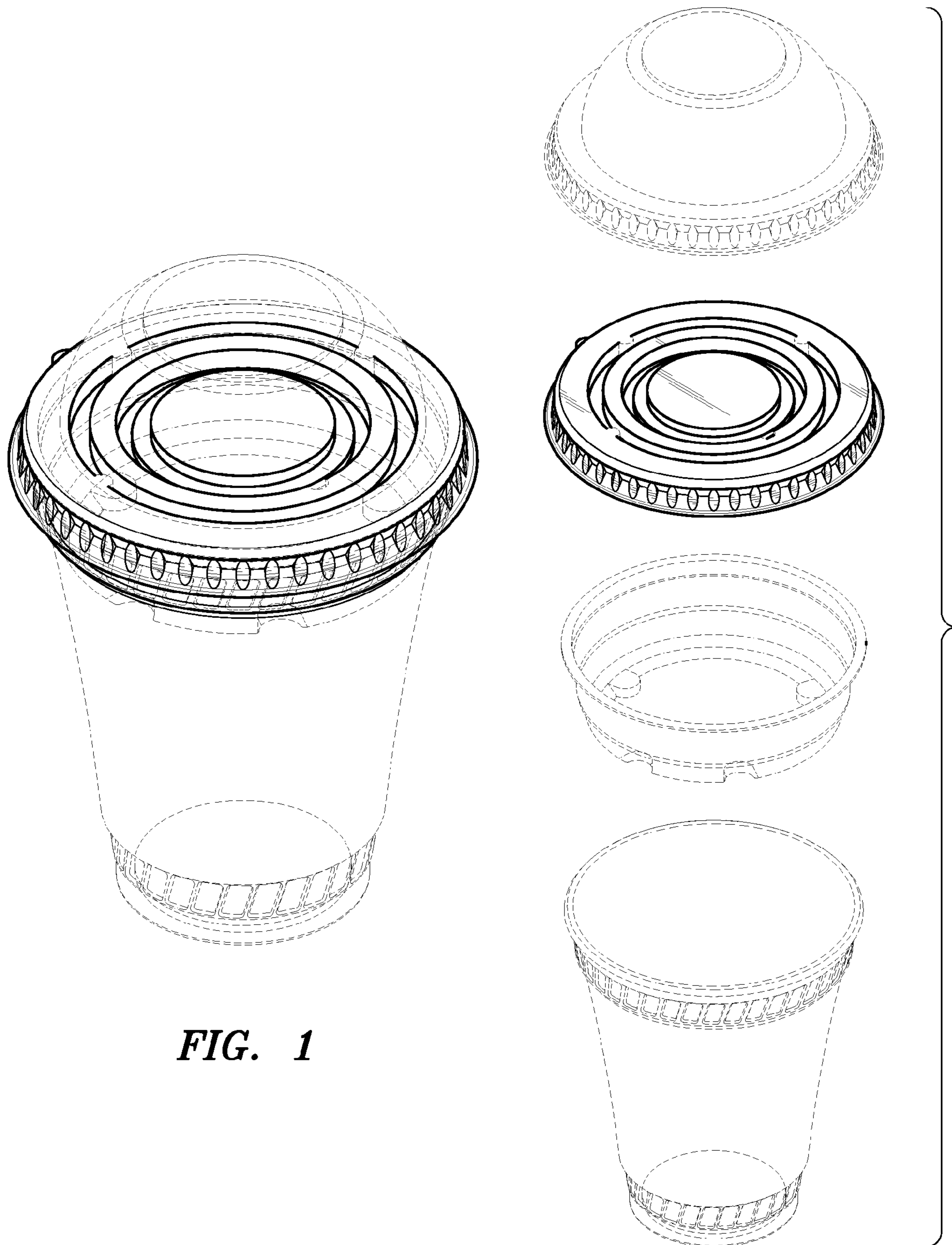
The ornamental design for a parfait cup, as shown and described.

**DESCRIPTION**

FIG. 1 is a perspective view of the parfait cup;  
FIG. 2 is an exploded, perspective view of the parfait cup;  
FIG. 3 is a side view of the parfait cup;  
FIG. 4 is another side view of the parfait cup;  
FIG. 5 is another side view of the parfait cup;  
FIG. 6 is another side view of the parfait cup;  
FIG. 7 is a top view of the parfait cup; and,  
FIG. 8 is another top view of the parfait cup.  
The broken lines in the drawings depict environmental subject matter only and form no part of the claimed design.

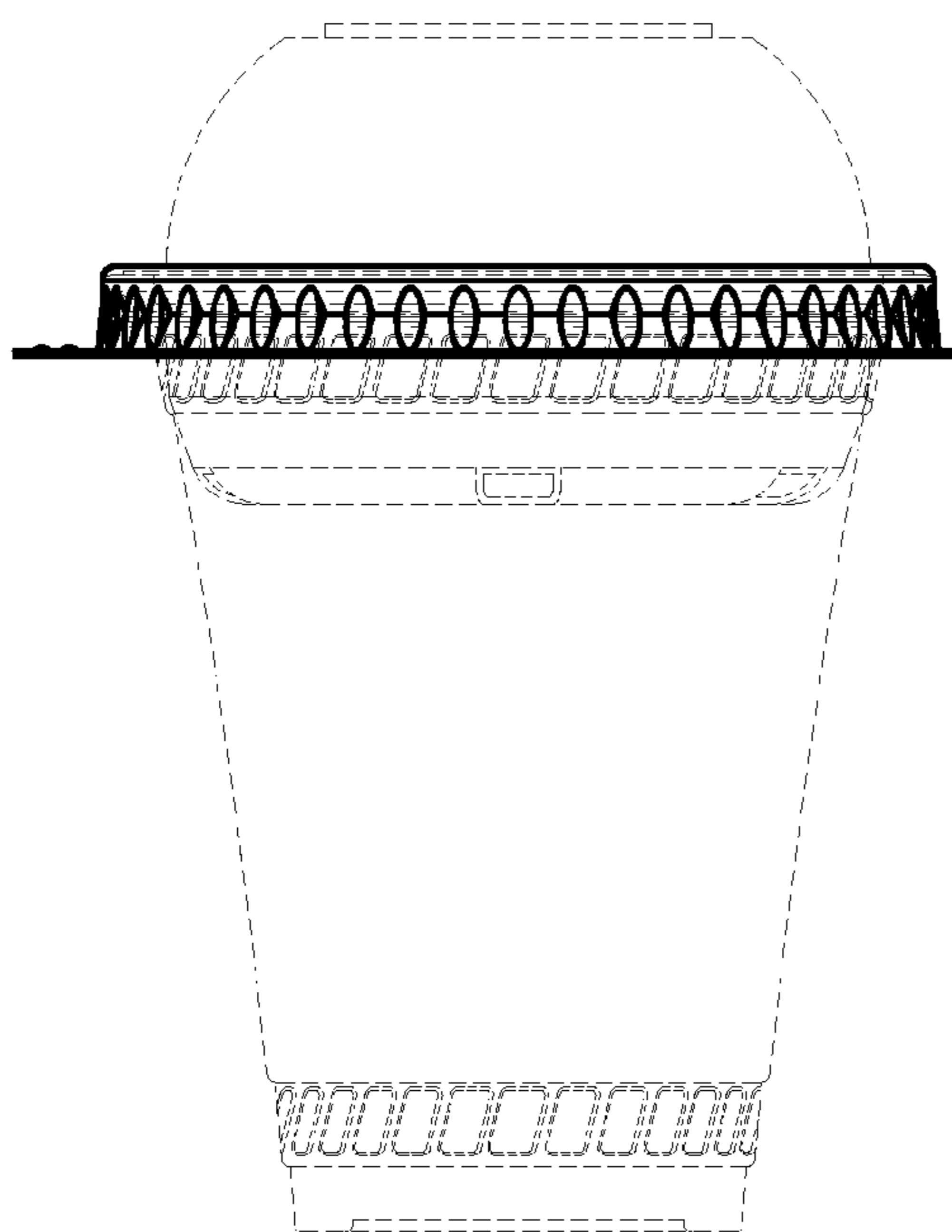
**1 Claim, 3 Drawing Sheets**



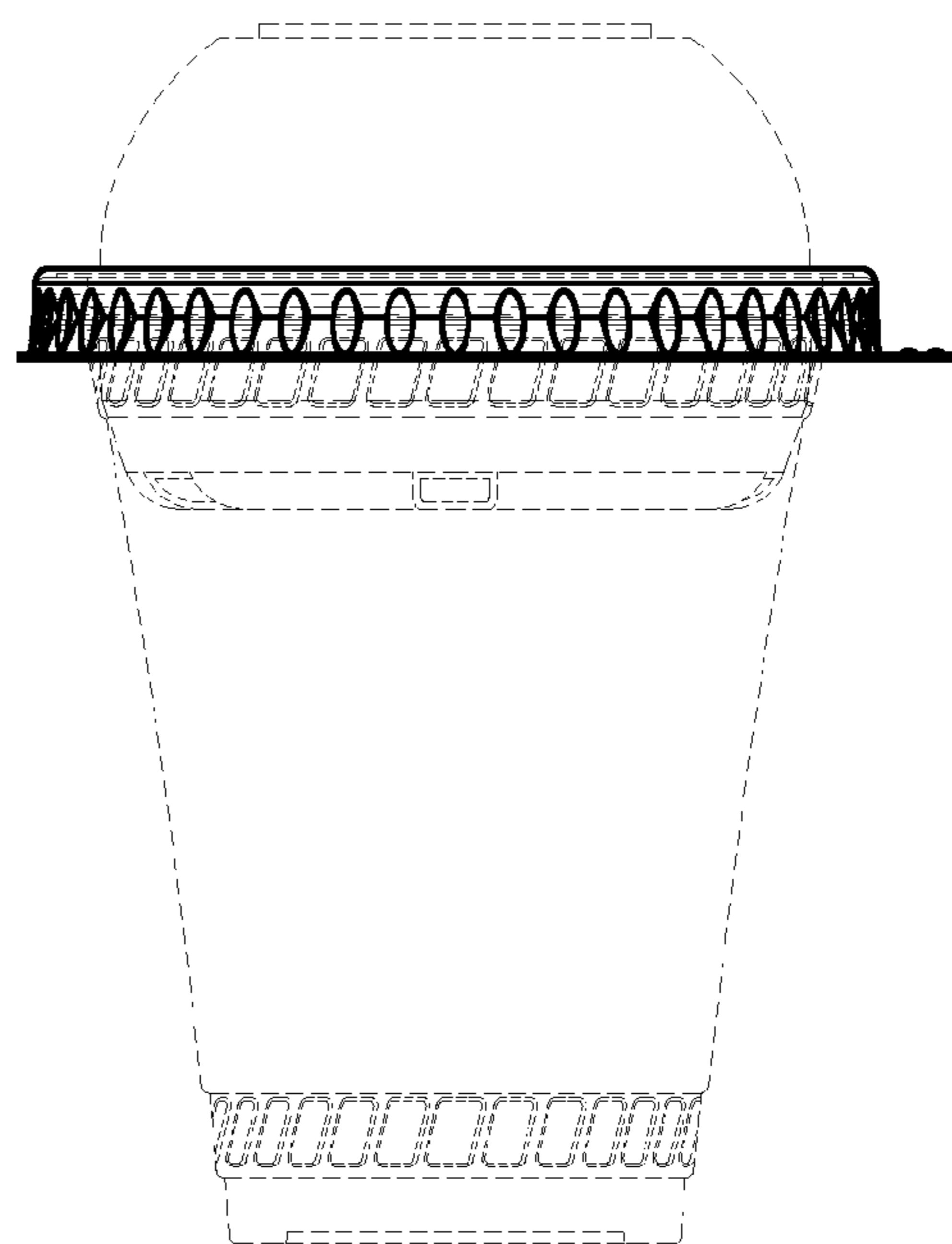


**FIG. 1**

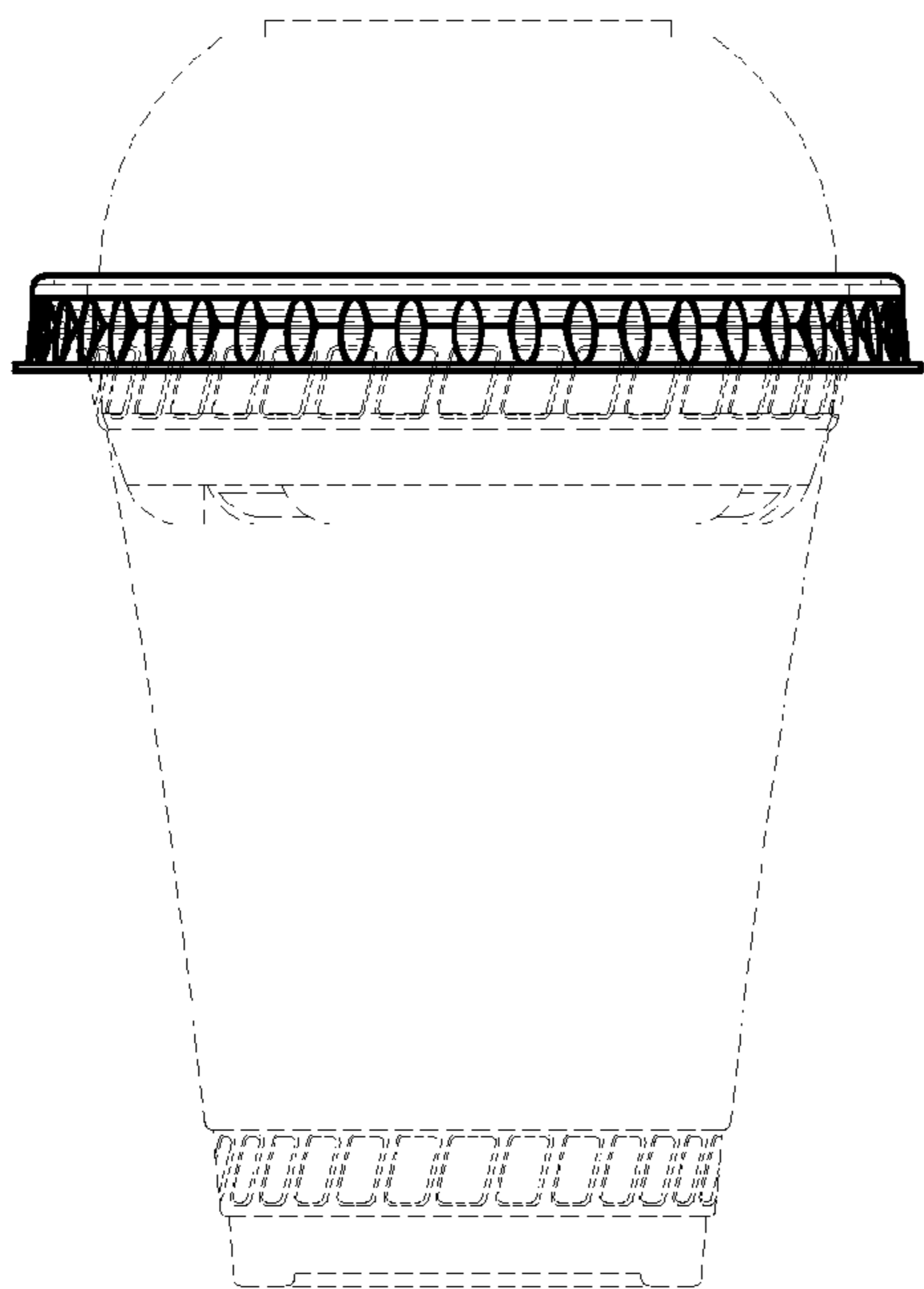
**FIG. 2**



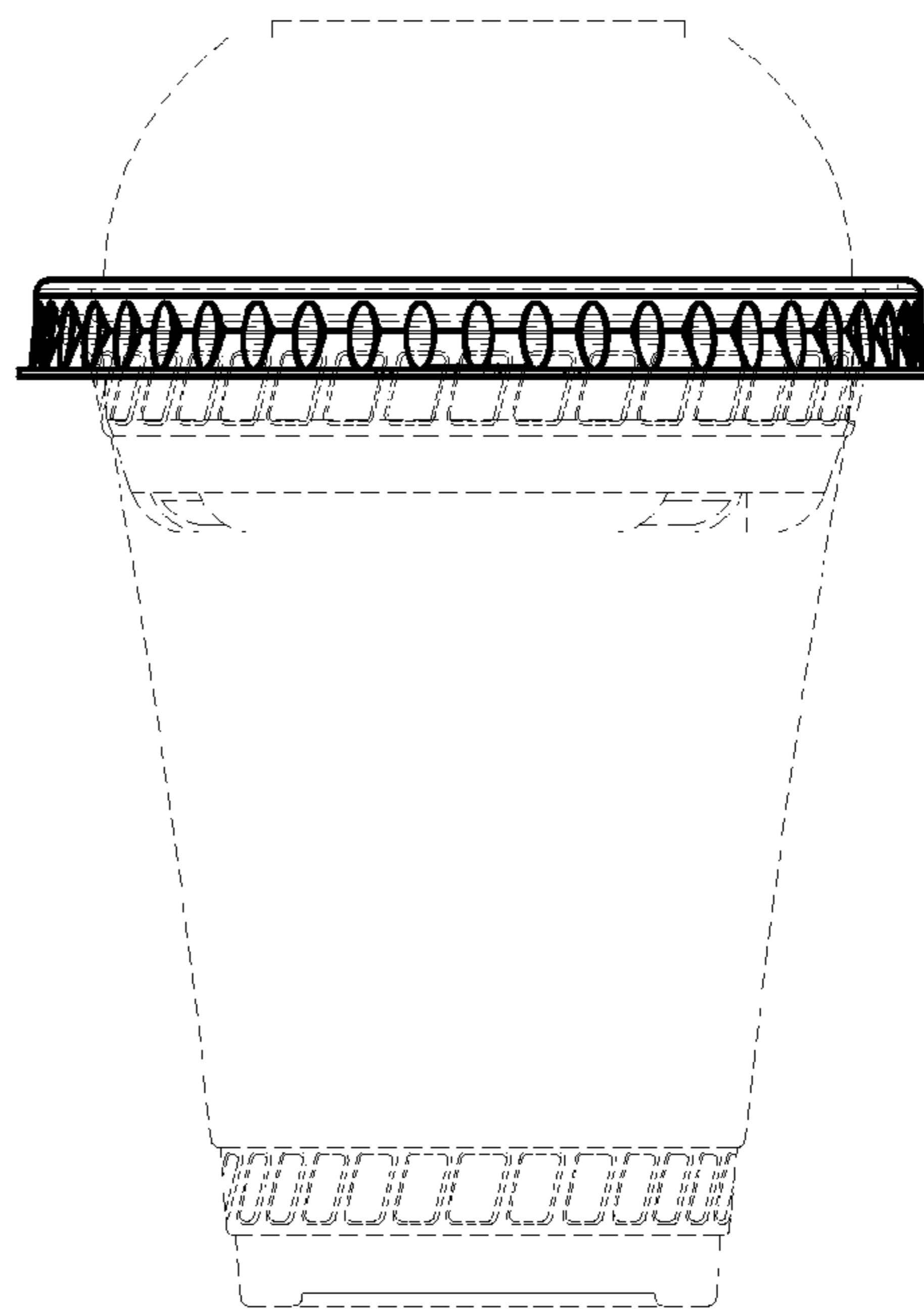
**FIG. 3**



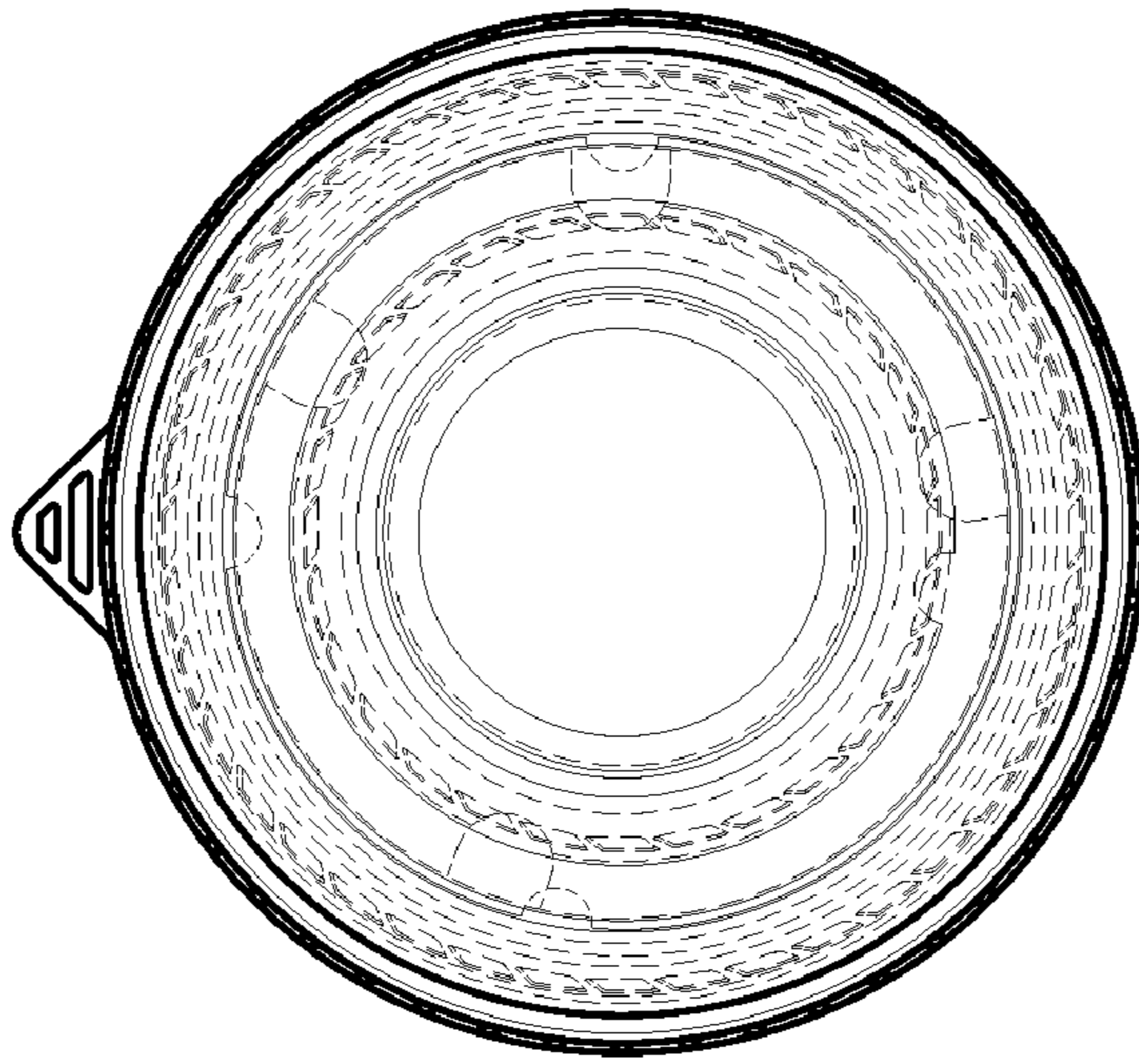
**FIG. 4**



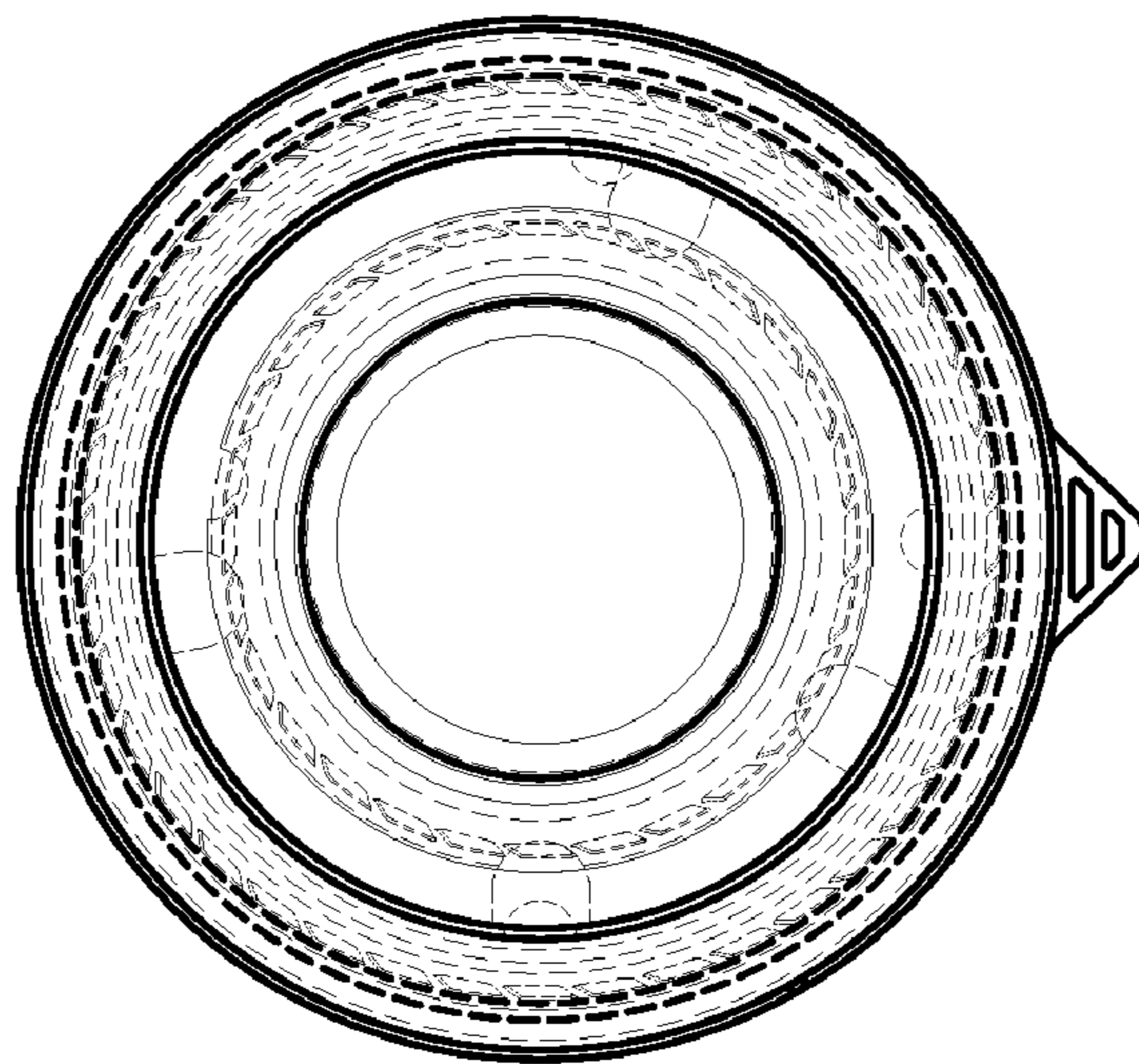
**FIG. 5**



**FIG. 6**



*FIG. 7*



*FIG. 8*