



US00D648628S

(12) **United States Design Patent**
Priebe et al.

(10) **Patent No.:** **US D648,628 S**

(45) **Date of Patent:** **** Nov. 15, 2011**

(54) **LID FOR VIAL ASSEMBLY**

(75) Inventors: **Robert N. Priebe**, Bloomington, MN
(US); **Terrance O. Noble**, Burnsville,
MN (US)

(73) Assignee: **Apothecary Products, Inc.**, Burnsville,
MN (US)

(**) Term: **14 Years**

(21) Appl. No.: **29/361,732**

(22) Filed: **May 14, 2010**

Related U.S. Application Data

(63) Continuation of application No. 12/133,778, filed on
Jun. 5, 2008, now Pat. No. 7,942,280.

(51) **LOC (9) Cl.** **09-07**

(52) **U.S. Cl.** **D9/452**

(58) **Field of Classification Search** D9/453,
D9/452, 443, 435; D23/250; 220/288, 254.8;
215/343-351, 341, 330, 309, 221, 217, 216,
215/213, 214, 211, 209
See application file for complete search history.

(56) **References Cited**

U.S. PATENT DOCUMENTS

D55,125	S	*	5/1920	Hammer	D9/453
D55,380	S	*	6/1920	Hammer	D9/453
D58,571	S	*	8/1921	Hyatt	D9/453
D68,988	S	*	12/1925	Riehl	D8/312
1,577,019	A	*	3/1926	Hammer	215/330
D78,805	S	*	6/1929	Burke	D9/453
D84,966	S	*	8/1931	Weisenburg	D9/453
D88,404	S	*	11/1932	Conner	D9/453
D89,737	S	*	5/1933	Vontill	D9/453
D89,809	S	*	5/1933	Barnes	D9/453
D93,650	S	*	10/1934	Fleisch	D9/453
1,981,414	A	*	11/1934	Hermani	215/334

4,103,797	A		8/1978	Morris		
D276,027	S	*	10/1984	Albert et al.	D9/452
5,544,768	A		8/1996	Gargione		
5,711,442	A		1/1998	Kusz		
5,899,348	A		5/1999	Konefal et al.		
6,039,195	A		3/2000	Konefal et al.		
6,327,770	B1		12/2001	Konefal et al.		

(Continued)

OTHER PUBLICATIONS

Photographs of commercial products, identified in Exhibits A, B, C, and D; each of the commercial products being in existence before Jun. 5, 2008.

Primary Examiner — Susan Bennett Hattan

(74) *Attorney, Agent, or Firm* — Merchant & Gould P.C.

(57) **CLAIM**

The ornamental design for lid for vial assembly, as shown and described.

DESCRIPTION

FIG. 1 is a bottom perspective view of a lid, incorporating our new design, the portions shown in broken lines forming no part of the claimed design;

FIG. 2 is a top perspective view of the lid of FIG. 1, the portions shown in broken lines forming no part of the claimed design;

FIG. 3 is a front view of the lid of FIG. 1, the portions shown in broken lines forming no part of the claimed design;

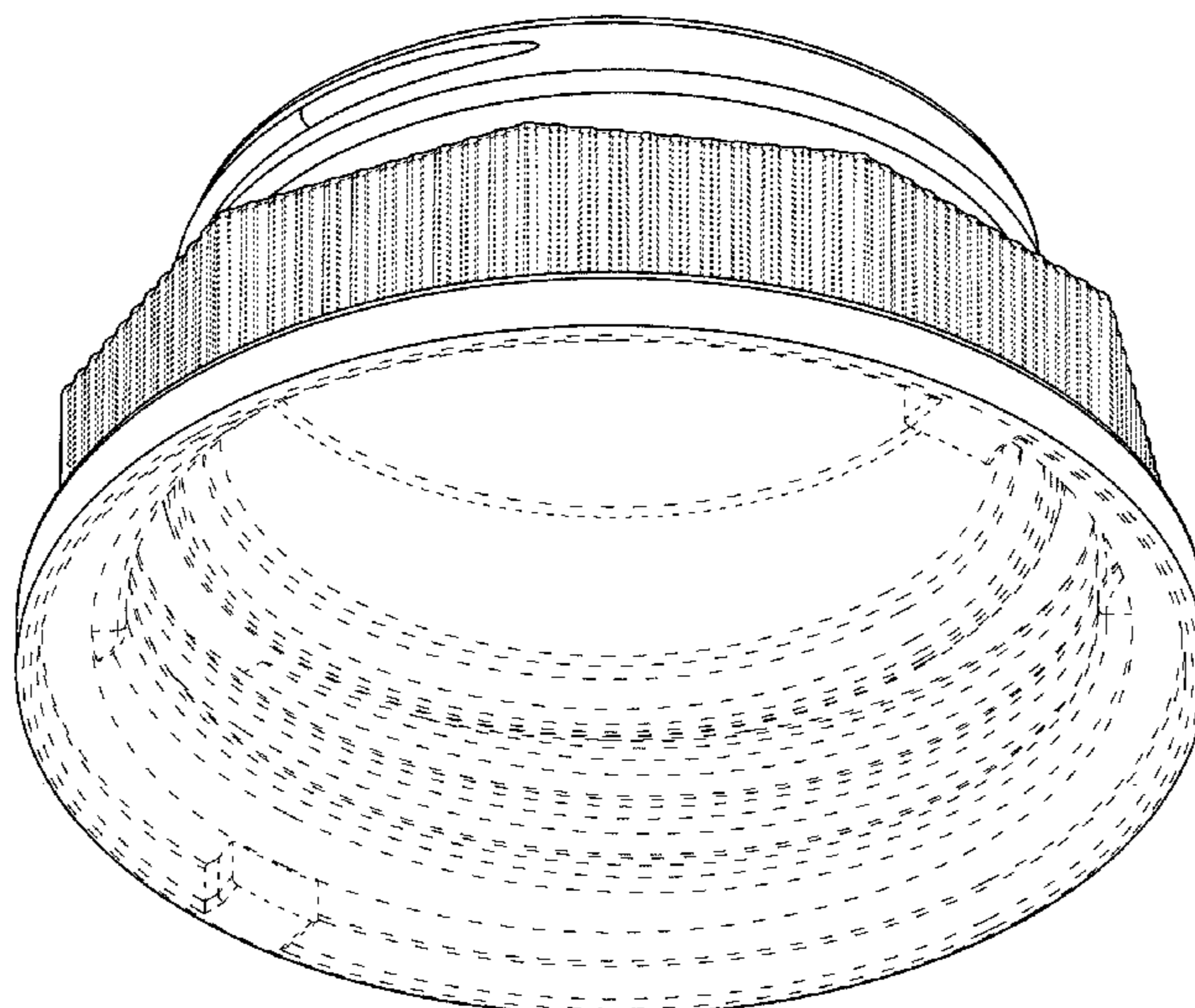
FIG. 4 is a rear view of the lid of FIG. 1, the portions shown in broken lines forming no part of the claimed design;

FIG. 5 is a left view of the lid of FIG. 1, the portions shown in broken lines forming no part of the claimed design;

FIG. 6 is a right view of the lid of FIG. 1, the portions shown in broken lines forming no part of the claimed design; and,

FIG. 7 is a top view of the lid of FIG. 1, the portions shown in broken lines forming no part of the claimed design.

1 Claim, 5 Drawing Sheets



US D648,628 S

Page 2

U.S. PATENT DOCUMENTS

D460,357 S *	7/2002	Kras et al.	D9/435	D568,450 S *	5/2008	King et al.	D23/261
D482,967 S *	12/2003	Bourque et al.	D9/435	D612,731 S *	3/2010	Bragg	D9/453
D485,181 S *	1/2004	Yourist	D9/454	D613,827 S *	4/2010	Damaske et al.	D23/259
D520,874 S *	5/2006	Gross et al.	D9/452	D632,958 S *	2/2011	Fuchs	D9/453

* cited by examiner

FIG. 1

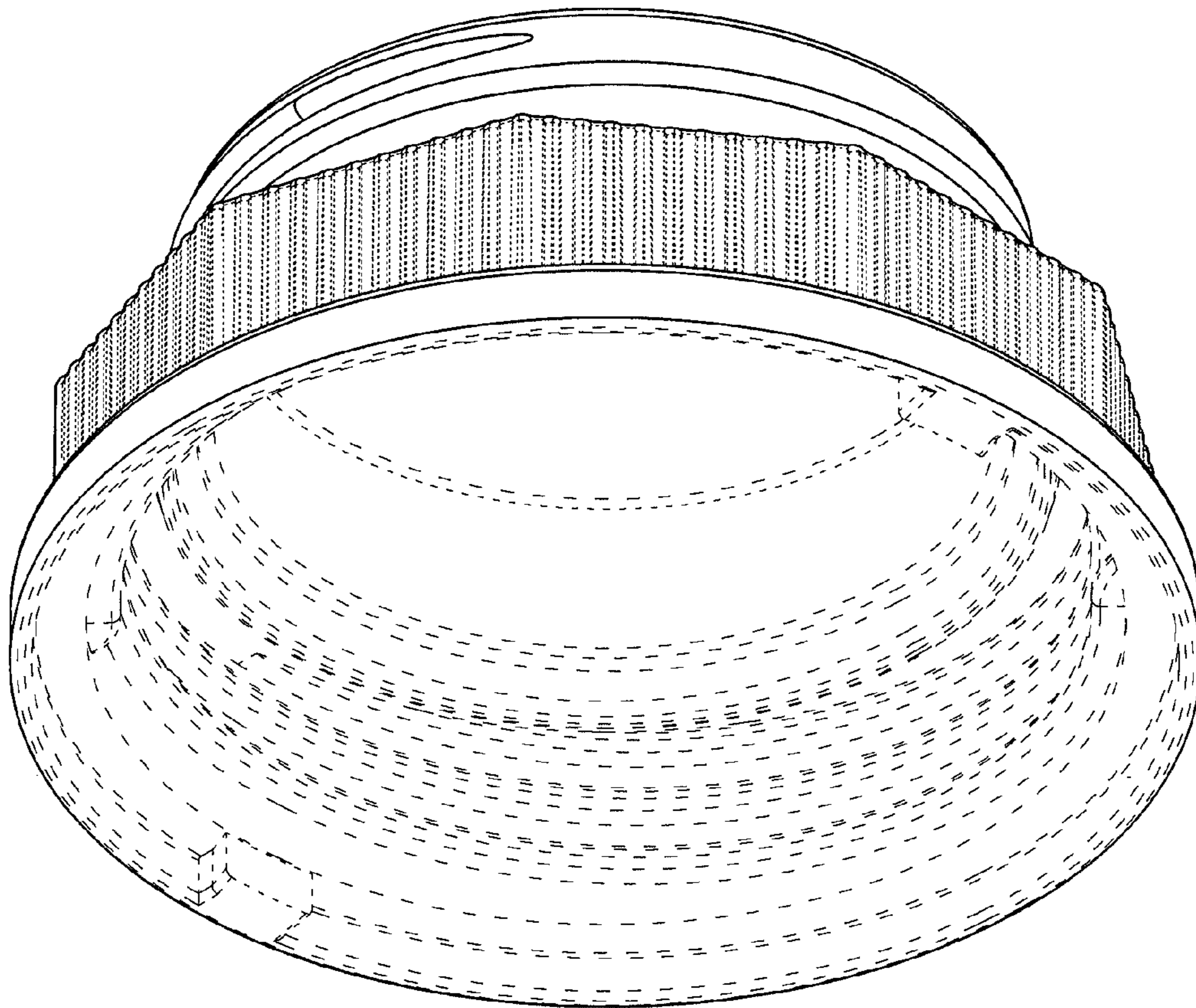


FIG. 2

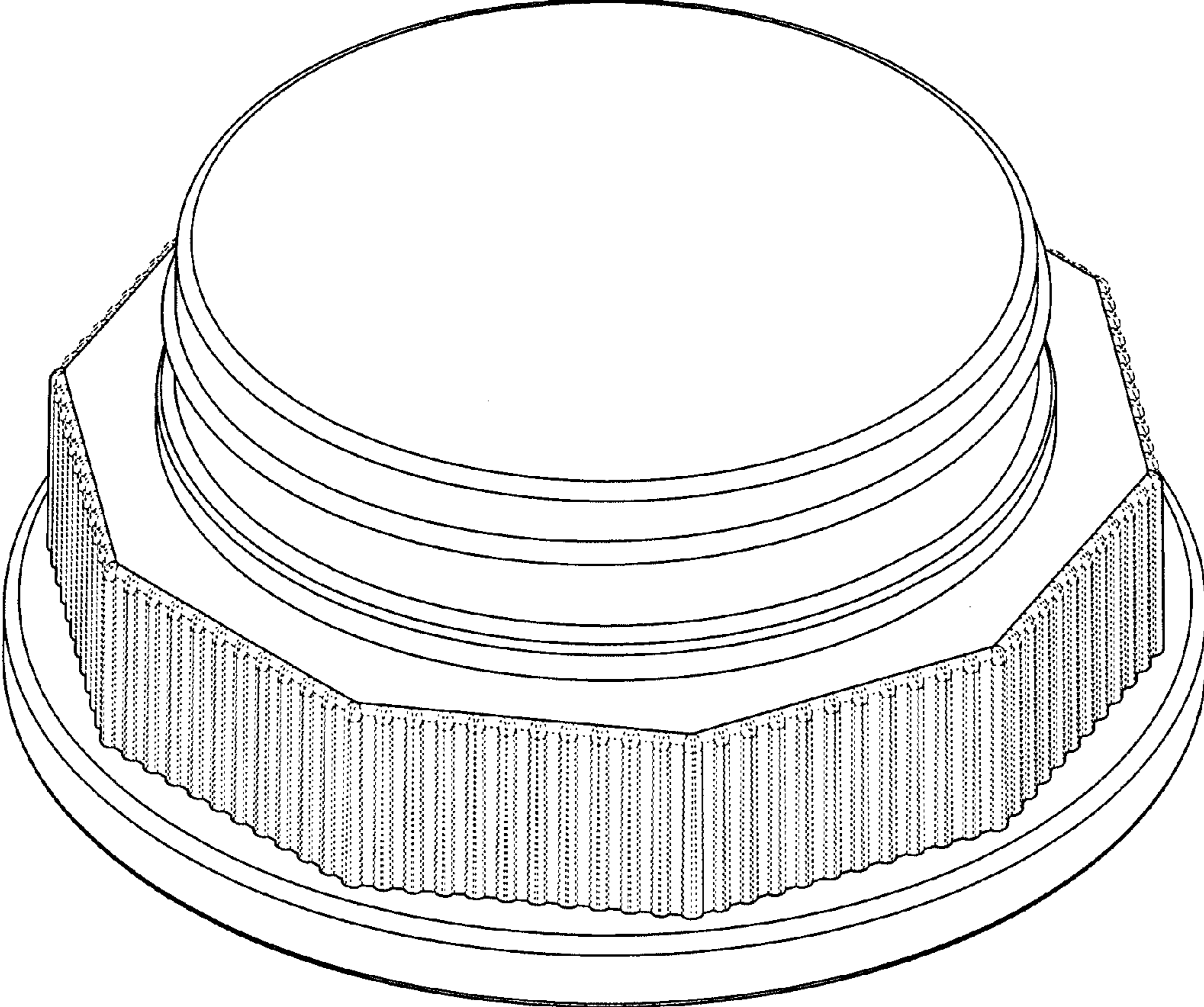


FIG. 3

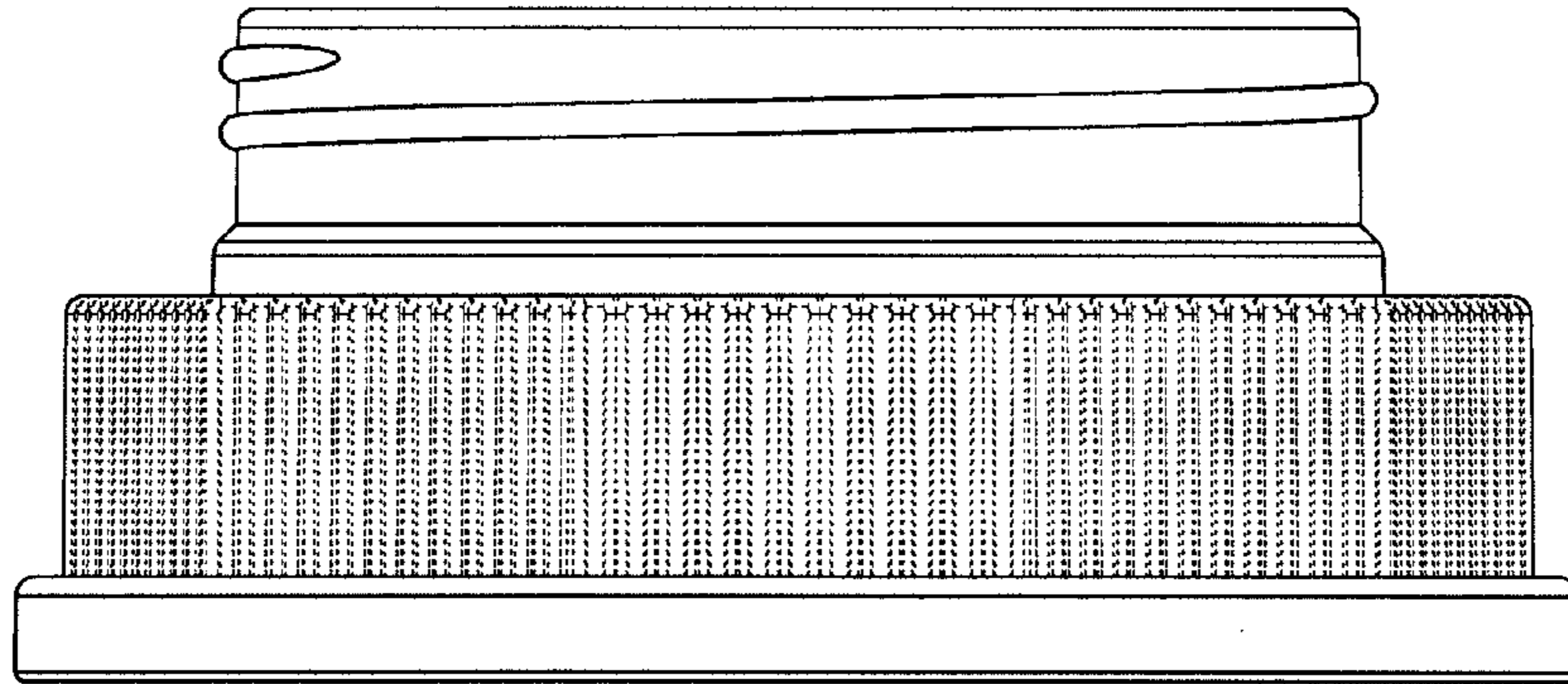


FIG. 4

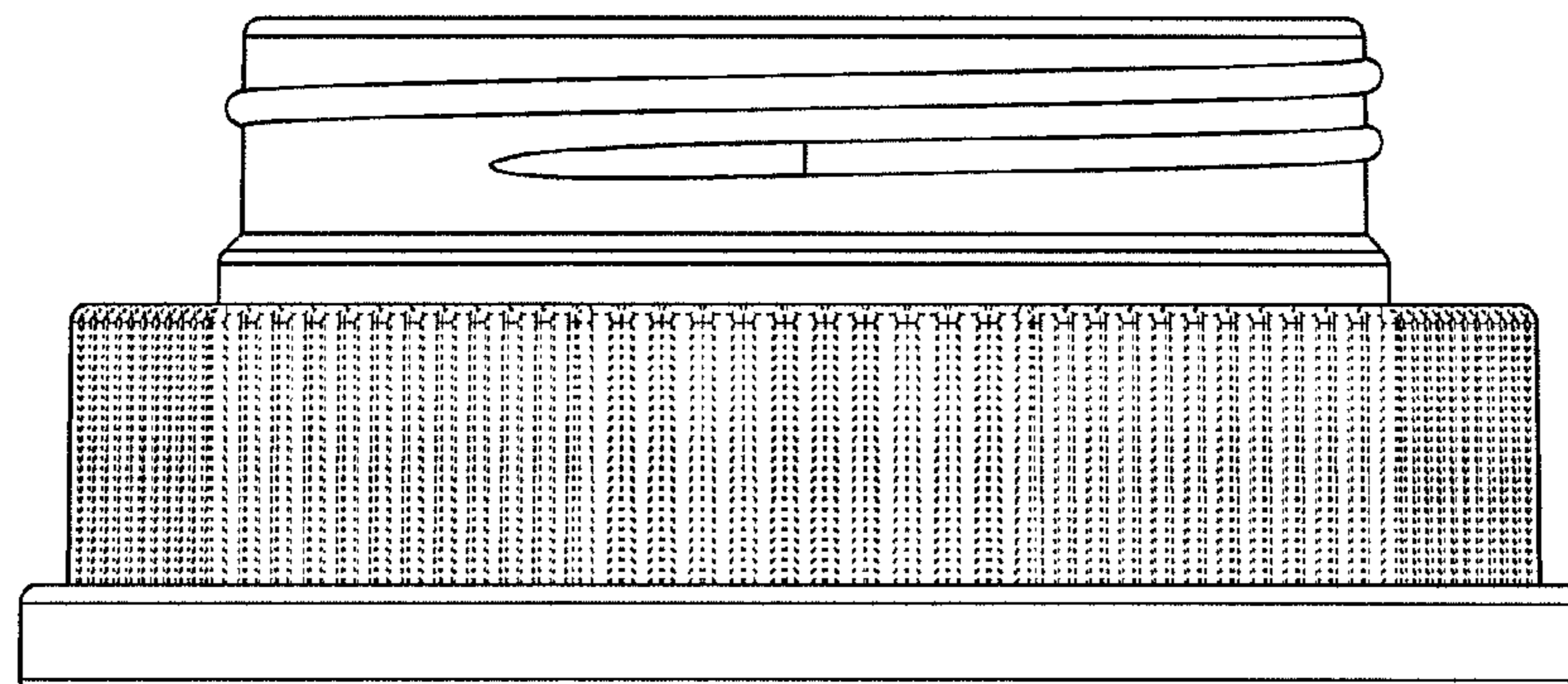


FIG. 5

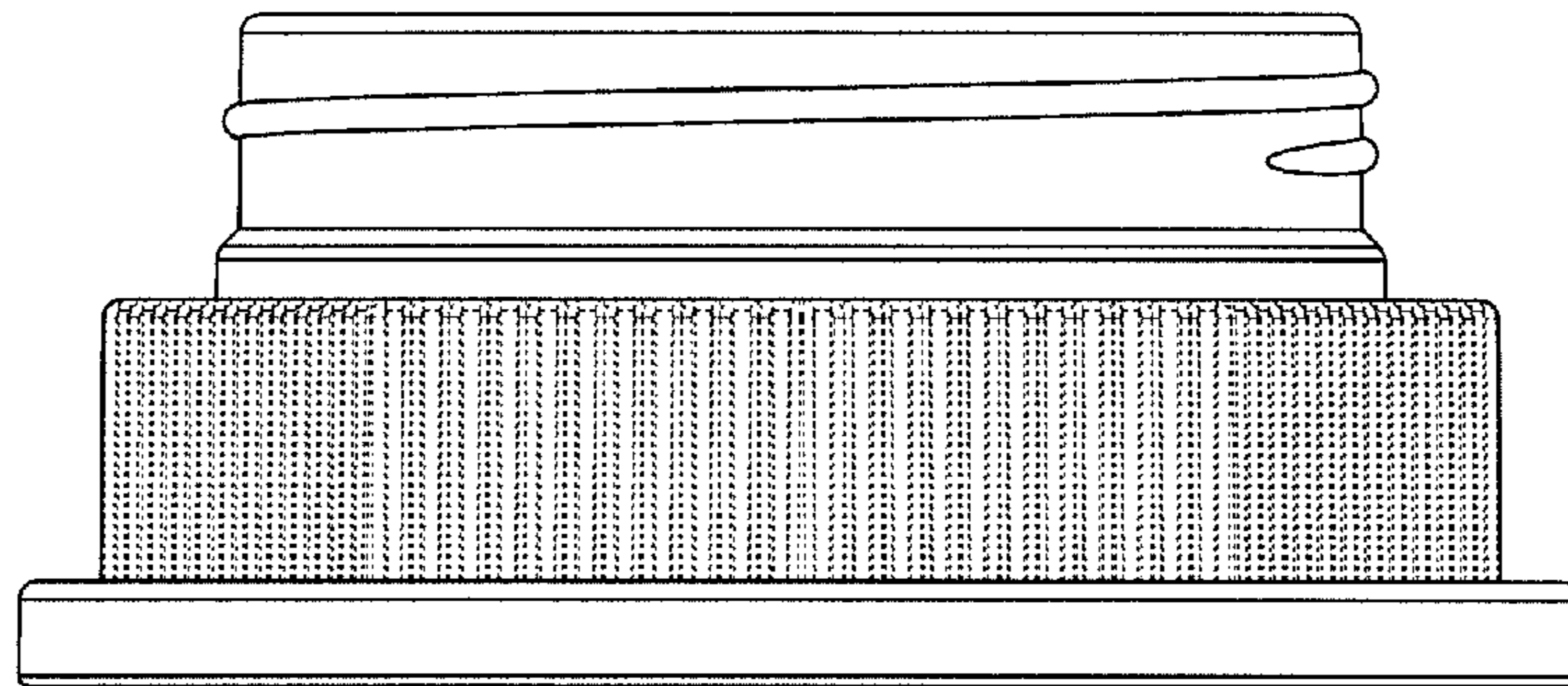


FIG. 6

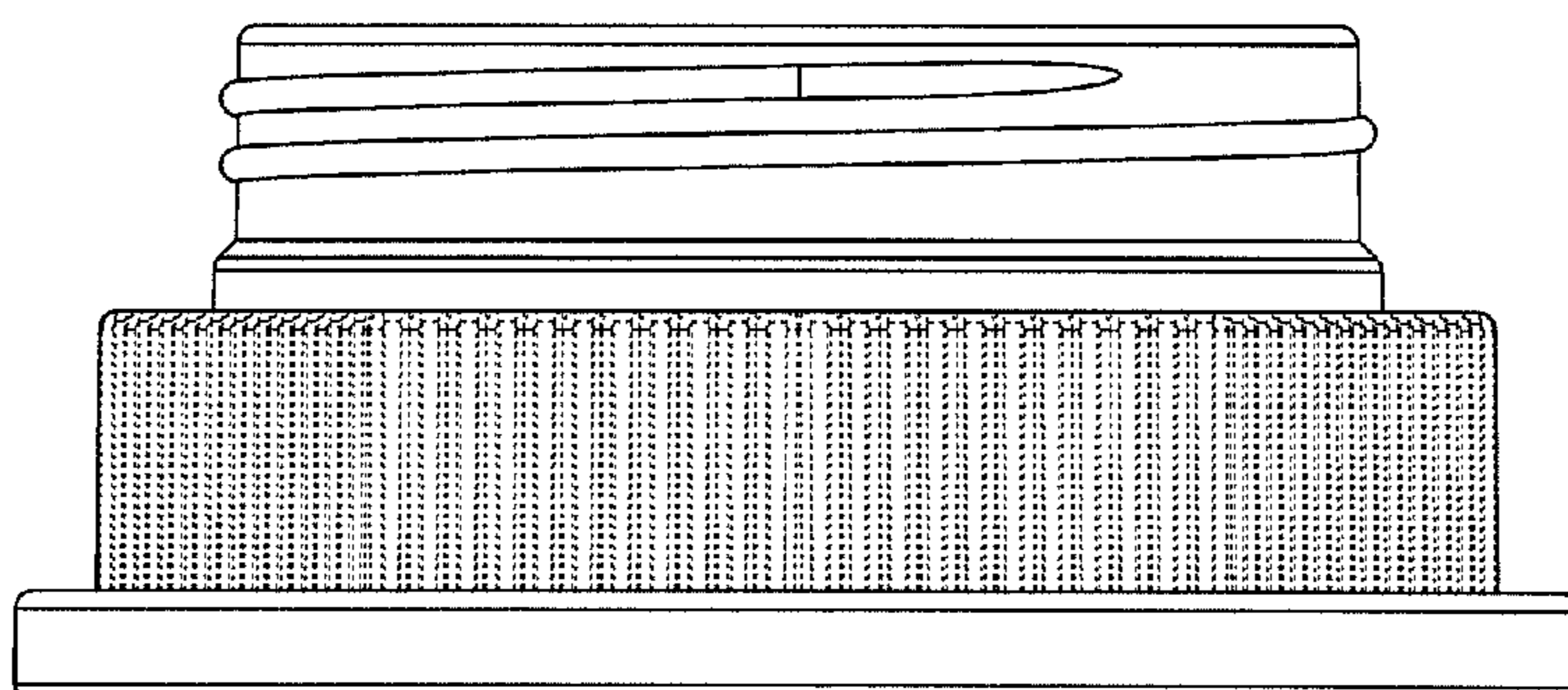


FIG. 7

