



US00D648627S

(12) **United States Design Patent**
Azar

(10) **Patent No.:** **US D648,627 S**

(45) **Date of Patent:** **** Nov. 15, 2011**

(54) **CONTAINER COVER**

(75) Inventor: **Isaac Azar**, Brooklyn, NY (US)

(73) Assignee: **Fantasia Accessories, Ltd.**, New York, NY (US)

(**) Term: **14 Years**

(21) Appl. No.: **29/379,762**

(22) Filed: **Nov. 24, 2010**

(51) **LOC (9) Cl.** **09-07**

(52) **U.S. Cl.** **D9/451; D9/668**

(58) **Field of Classification Search** D3/276,
D3/271.1, 271.9; D7/511, 514-515, 900-901;
D9/600, 668, 434-435, 451; 215/200-201,
215/228, 230, 316, 400; 206/457-458, 527
See application file for complete search history.

(56) **References Cited**

U.S. PATENT DOCUMENTS

D38,503 S * 4/1907 O'Neil et al. D9/624
5,253,365 A * 10/1993 Clevenhagen D29/115

D376,675 S * 12/1996 Yamada et al. D29/115
D378,736 S * 4/1997 McPhilliamy et al. D9/451
D526,447 S * 8/2006 Chan D29/115

* cited by examiner

Primary Examiner — Sandra Morris

(74) *Attorney, Agent, or Firm* — Ladas & Parry

(57) **CLAIM**

The ornamental design for a container cover, as shown and described.

DESCRIPTION

FIG. 1 is a perspective view of a container cover showing my new design;

FIG. 2 is a front elevation view thereof;

FIG. 3 is a left side elevation view thereof;

FIG. 4 is a rear elevation view thereof;

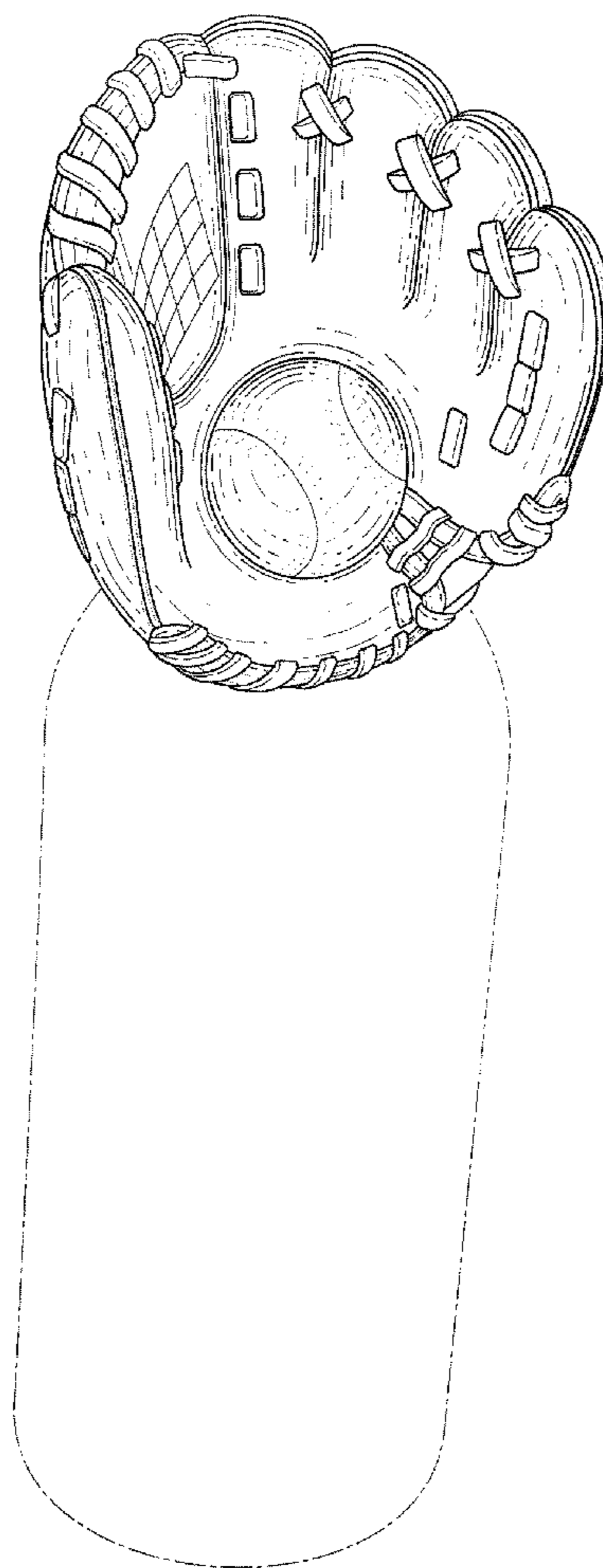
FIG. 5 is a right side elevation view thereof;

FIG. 6 is a top plan view thereof; and,

FIG. 7 is bottom plan view thereof.

The subject matter presented in broken lines as shown in the drawings is included for the purpose of illustrating environmental structure and forms no part of the claimed design.

1 Claim, 6 Drawing Sheets



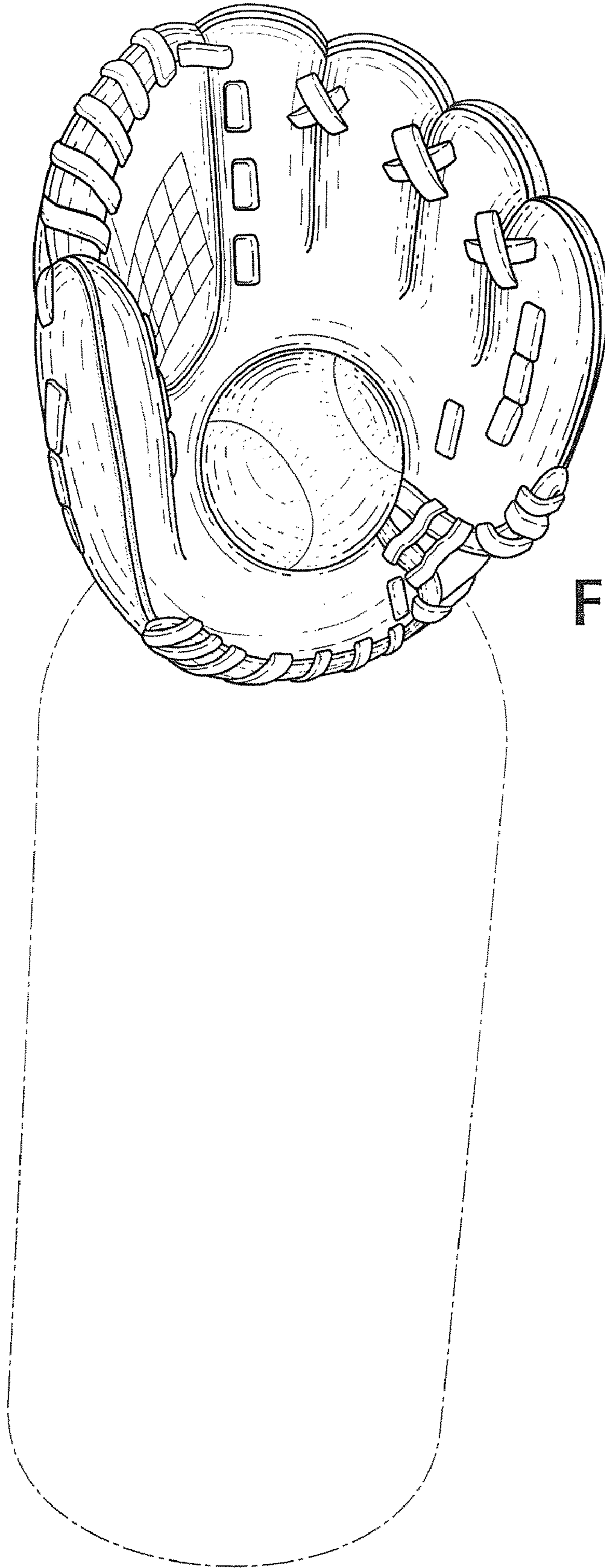


FIG. 1

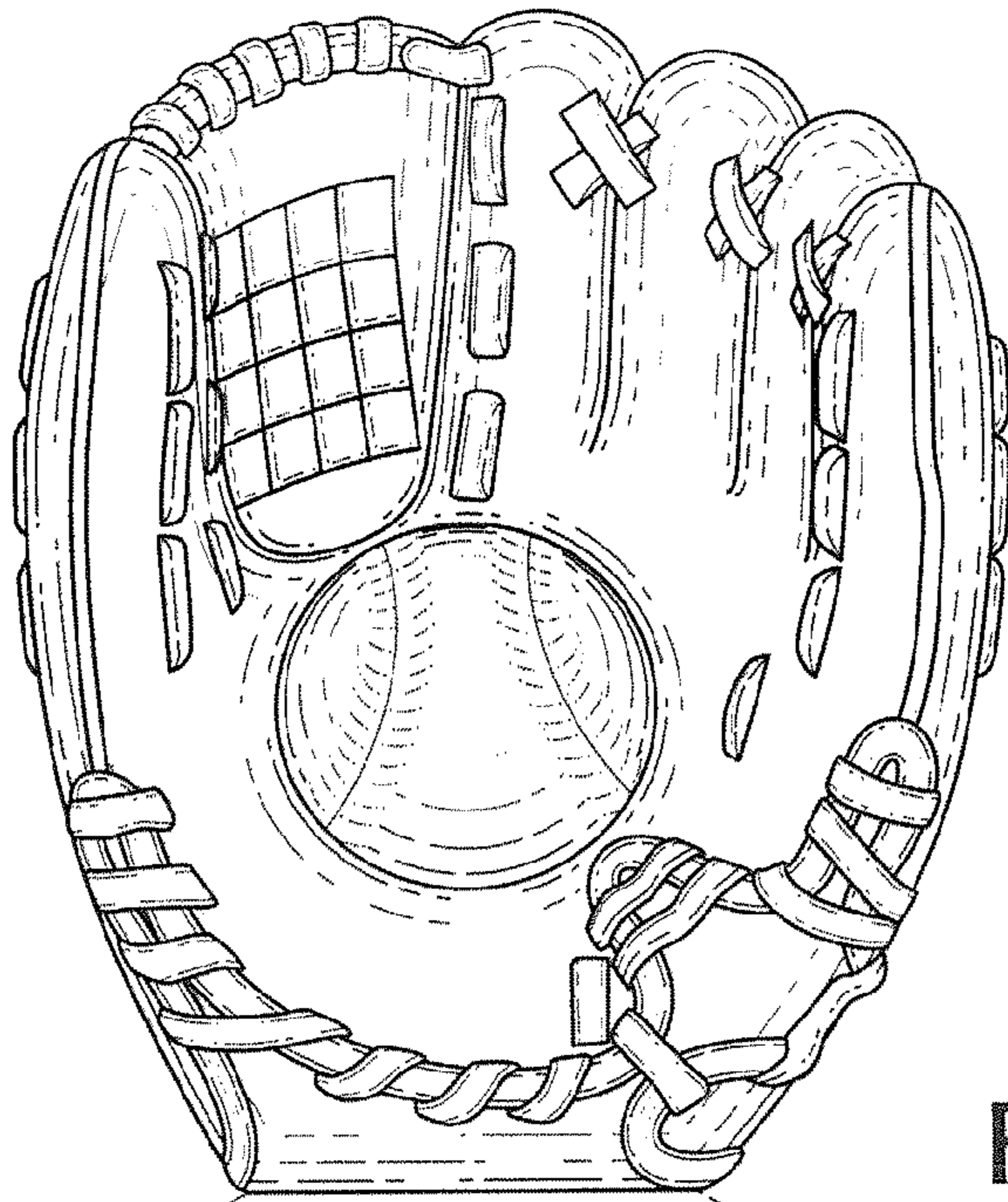


FIG. 2

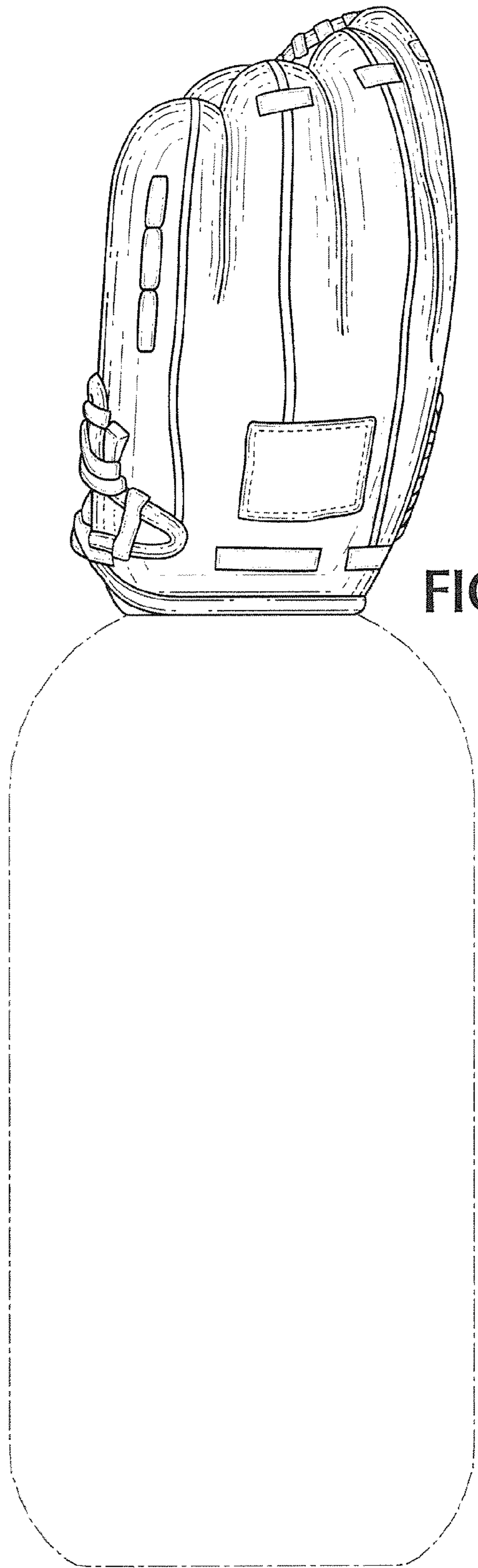


FIG. 3

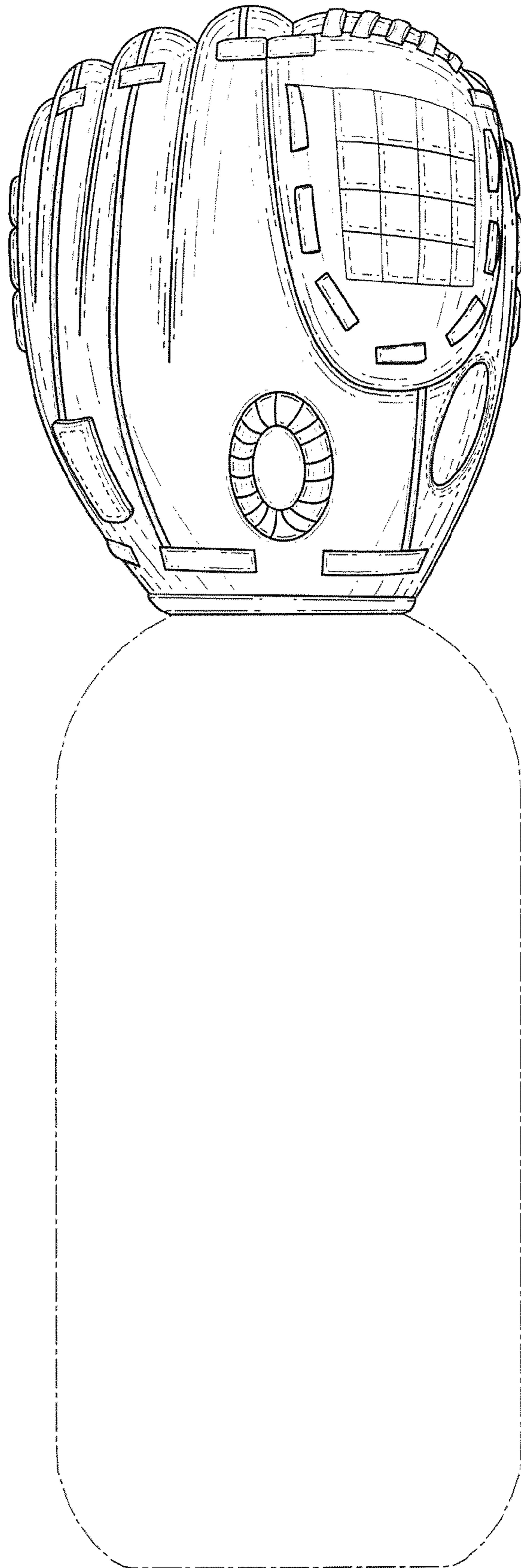


FIG. 4

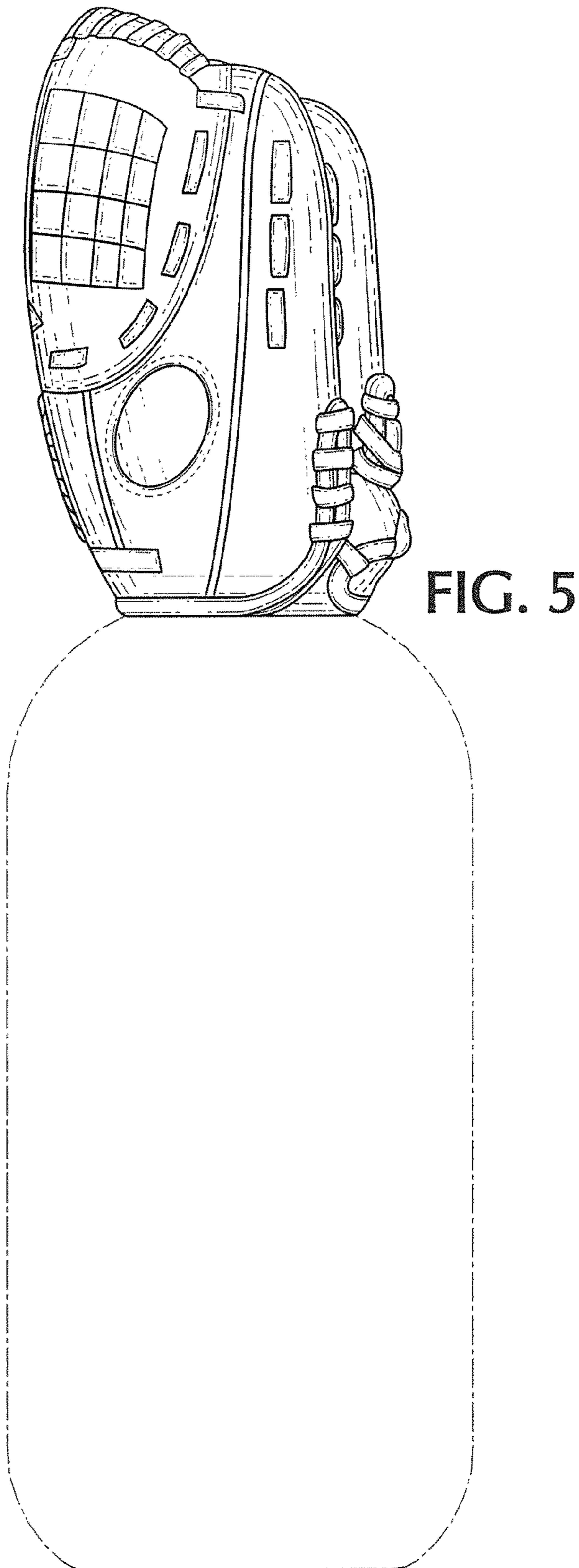


FIG. 6

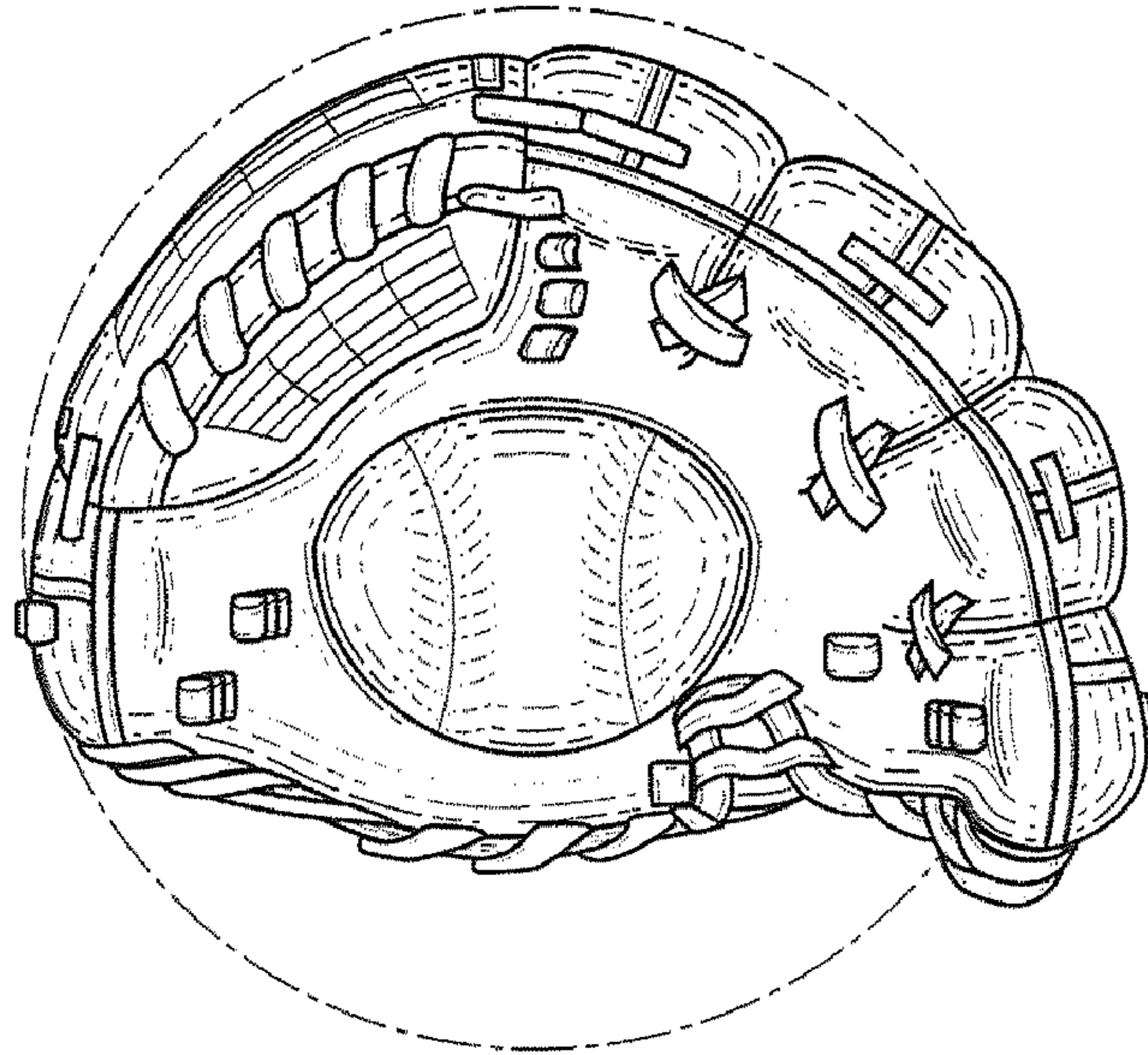


FIG. 7

