



US00D648622S

(12) **United States Design Patent**  
**Dubach**

(10) **Patent No.:** **US D648,622 S**

(45) **Date of Patent:** **\*\* Nov. 15, 2011**

(54) **DOSING DEVICE**

(75) Inventor: **Werner F. Dubach**, Maur (CH)

(73) Assignee: **Kisling AG**, Tagelswangen (CH)

(\*\*) Term: **14 Years**

(21) Appl. No.: **29/328,856**

(22) Filed: **Dec. 3, 2008**

(30) **Foreign Application Priority Data**

Jun. 3, 2008 (EM) ..... 000945266

(51) **LOC (9) Cl.** ..... **09-07**

(52) **U.S. Cl.** ..... **D9/434**

(58) **Field of Classification Search** ..... D9/686,  
D9/658, 682, 448; D8/51; D23/226, 213;  
417/411; 401/190; 239/337, 120; 222/402.11,  
222/383.1, 383.3, 323, 179.5, 109  
See application file for complete search history.

(56) **References Cited**

**U.S. PATENT DOCUMENTS**

4,705,191	A *	11/1987	Itzel et al.	222/80
5,407,104	A *	4/1995	Santagiuliana	222/425
5,529,216	A *	6/1996	Klima et al.	222/130
D424,441	S *	5/2000	Santagiuliana	D9/448
D440,493	S *	4/2001	Santagiuliana	D9/447
6,431,402	B1 *	8/2002	Klima et al.	222/130
2001/0011661	A1 *	8/2001	Klima et al.	222/130
2005/0056664	A1 *	3/2005	Wolter et al.	222/321.7
2009/0050653	A1 *	2/2009	Maas et al.	222/383.1

2009/0277928 A1\* 11/2009 Bruckner ..... 222/129

\* cited by examiner

*Primary Examiner* — T. Chase Nelson

*Assistant Examiner* — Eric L Goodman

(74) *Attorney, Agent, or Firm* — Weingarten, Schurgin,  
Gagnebin & Lebovici LLP

(57) **CLAIM**

The ornamental design for a dosing device, as shown.

**DESCRIPTION**

FIG. 1 is a rear view of the dosing device design of the invention;

FIG. 2 is a front view of the dosing device design of the invention;

FIG. 3 is a top view of the dosing device design of the invention;

FIG. 4 is a side view of the dosing device design of the invention;

FIG. 5 is a side view of the dosing device design of the invention;

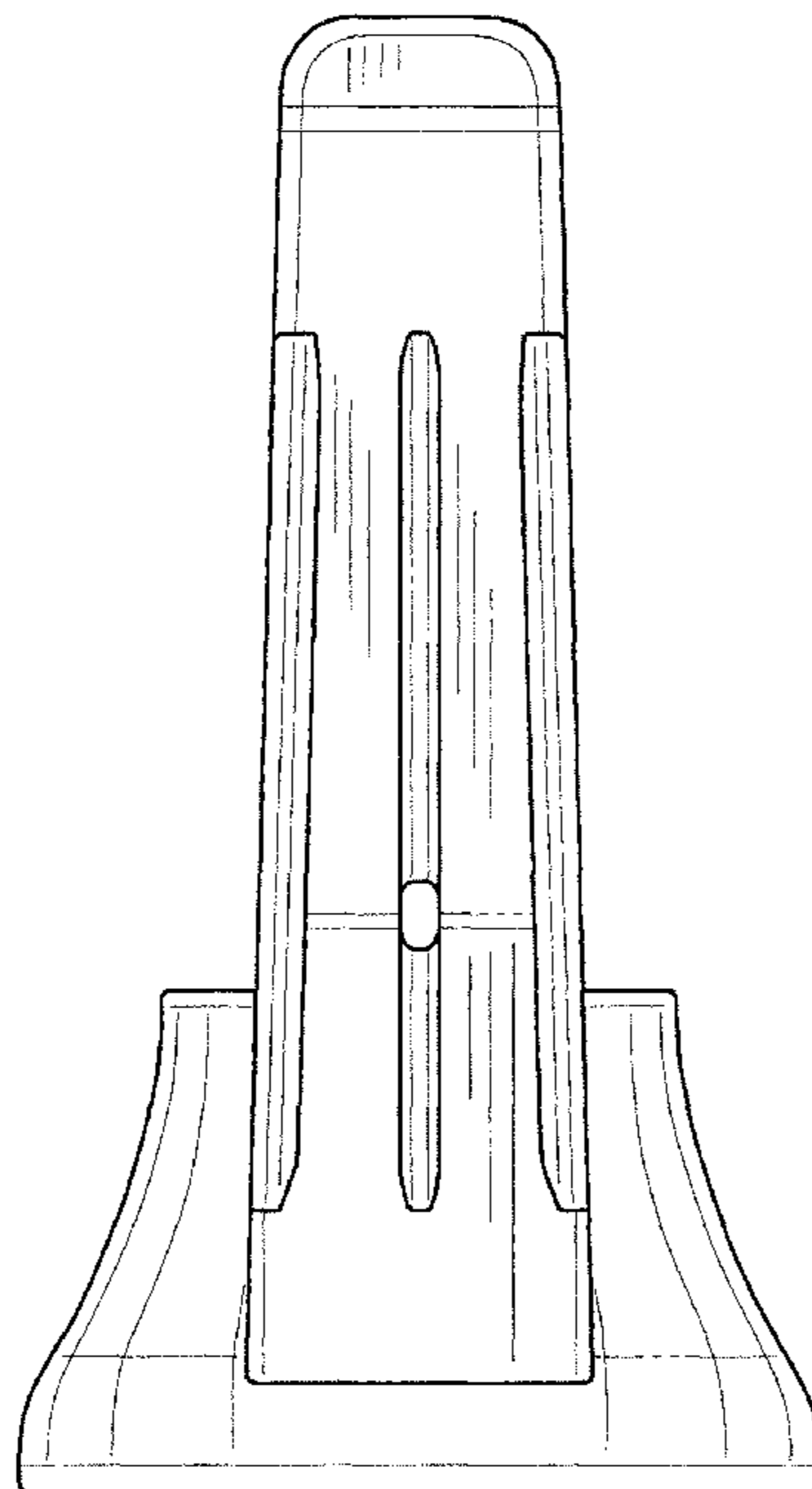
FIG. 6 is a bottom view of the dosing device design of the invention;

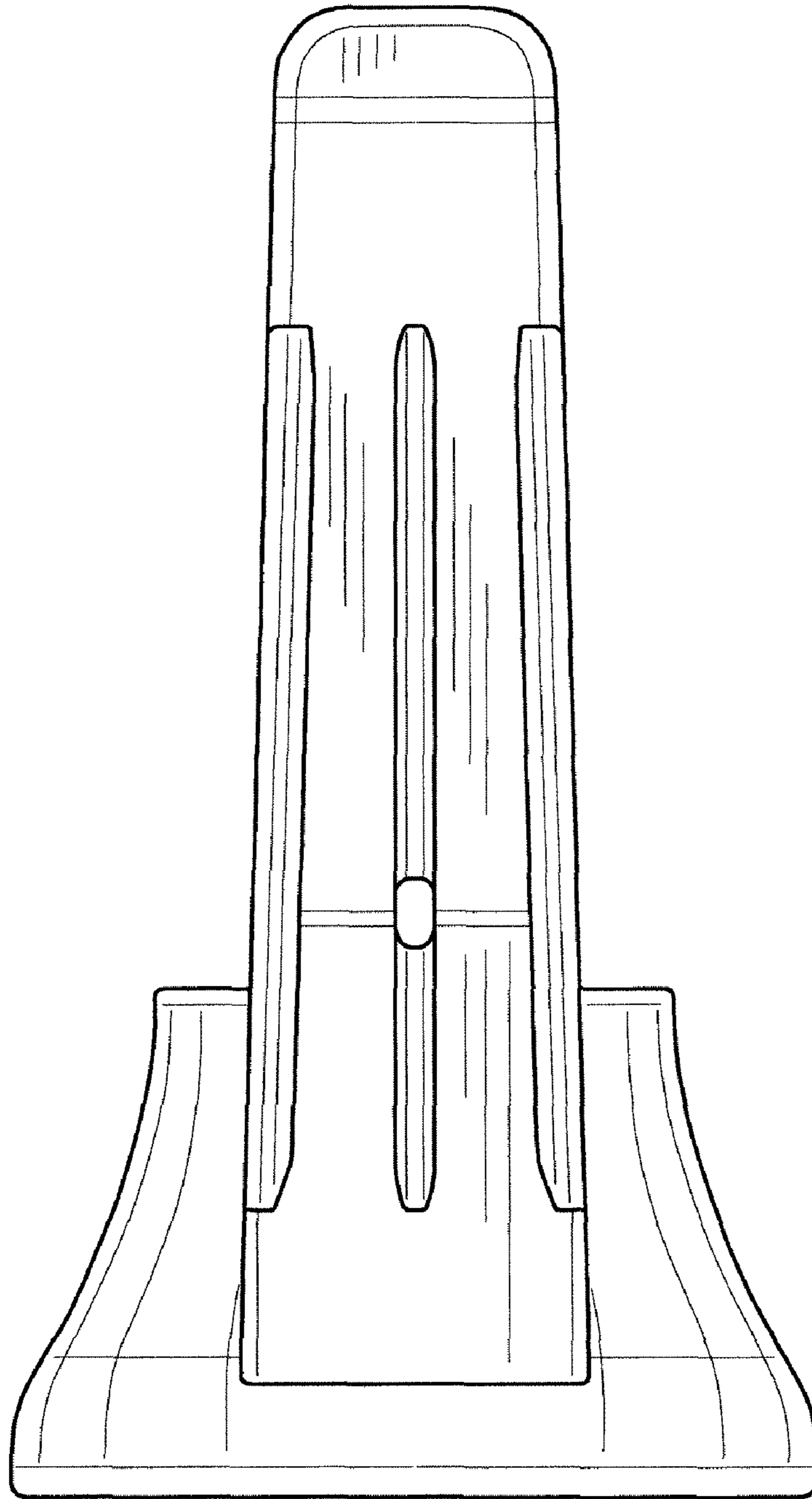
FIG. 7 is a perspective view of the dosing device design of the invention; and,

FIG. 8 is a perspective view of the dosing device design of the invention.

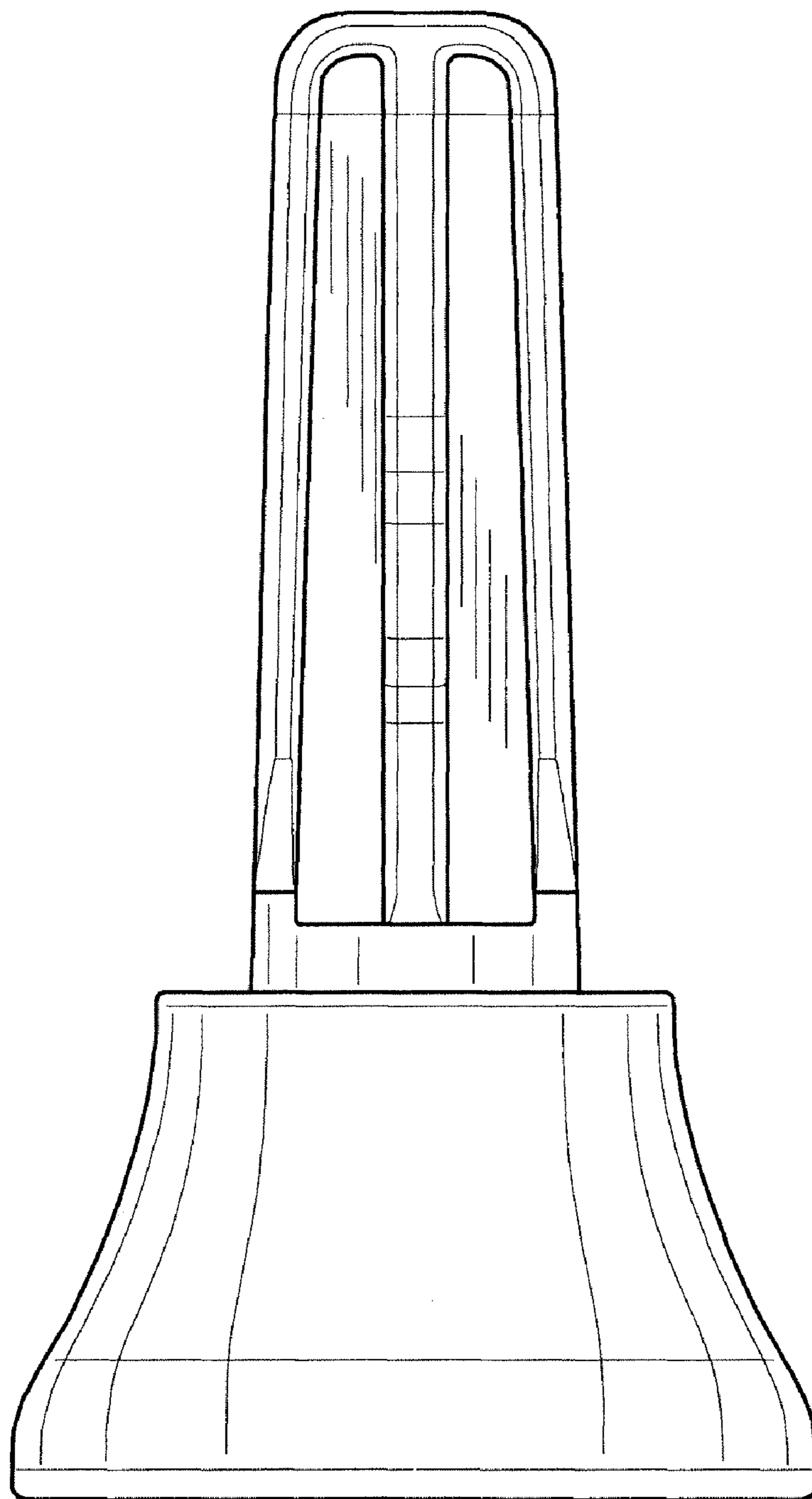
The broken lines shown in FIGS. 3 and 6 are for illustrative purposes only and form no part of the claimed design.

**1 Claim, 8 Drawing Sheets**

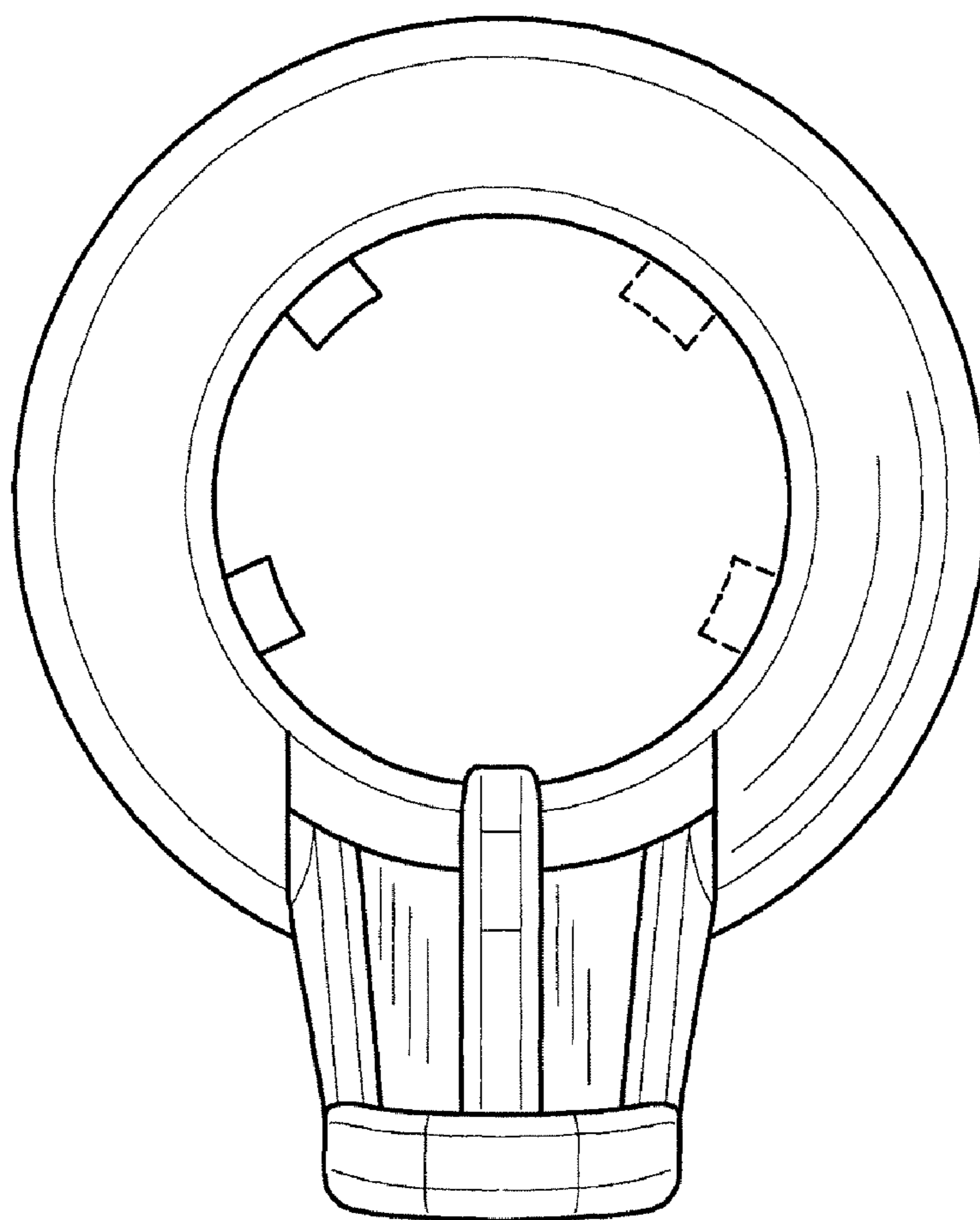




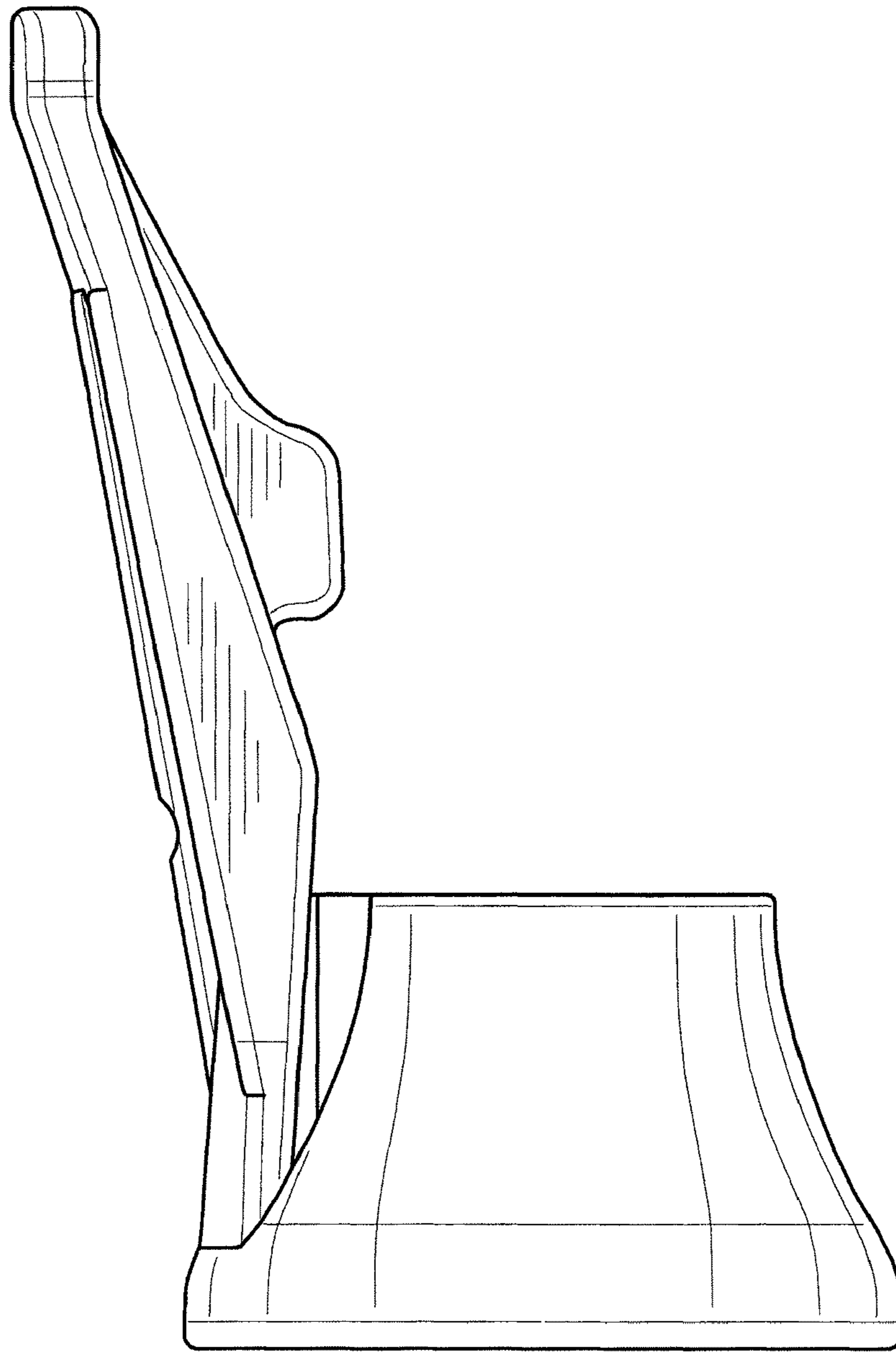
**FIG. 1**



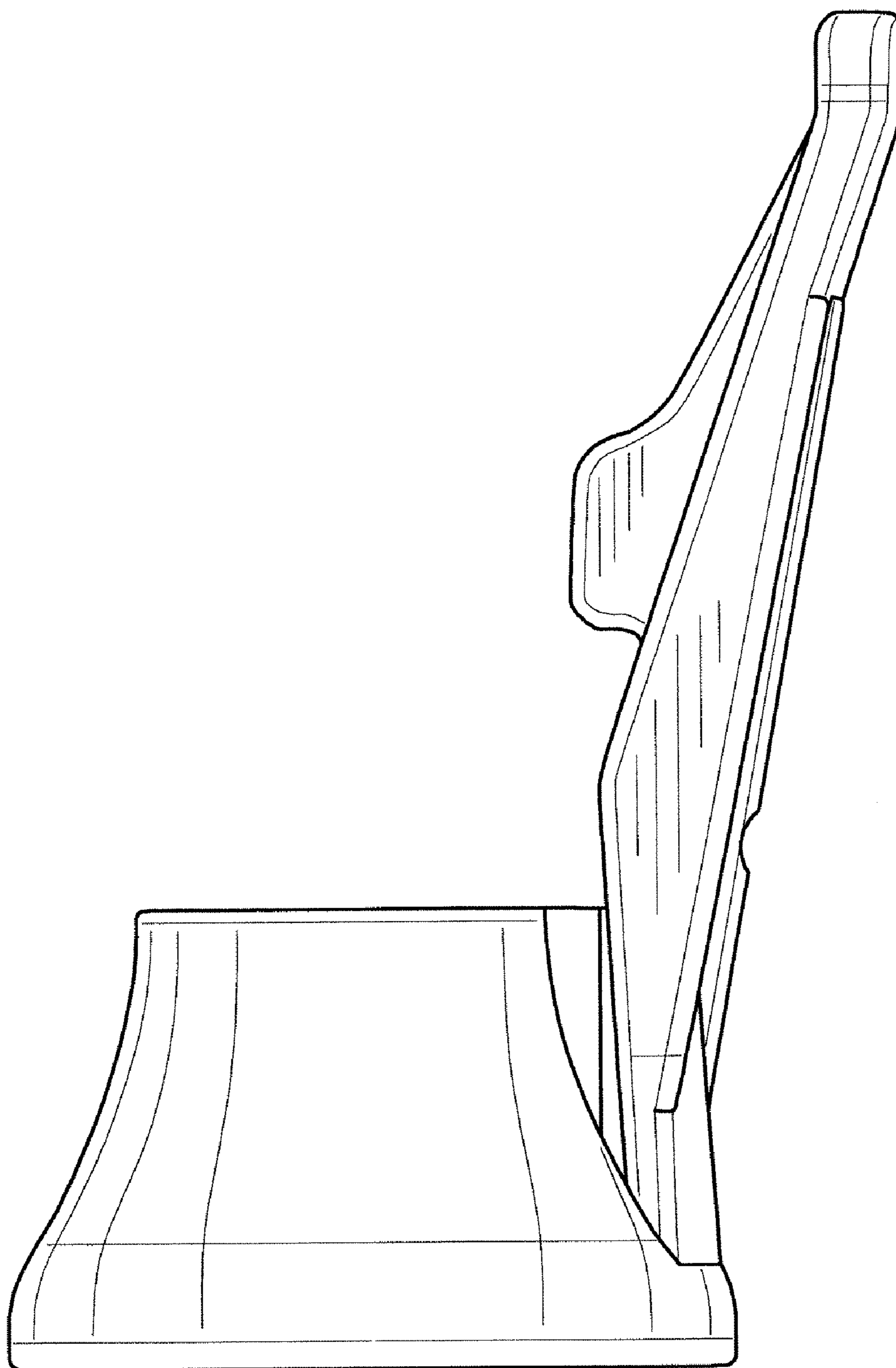
**FIG. 2**



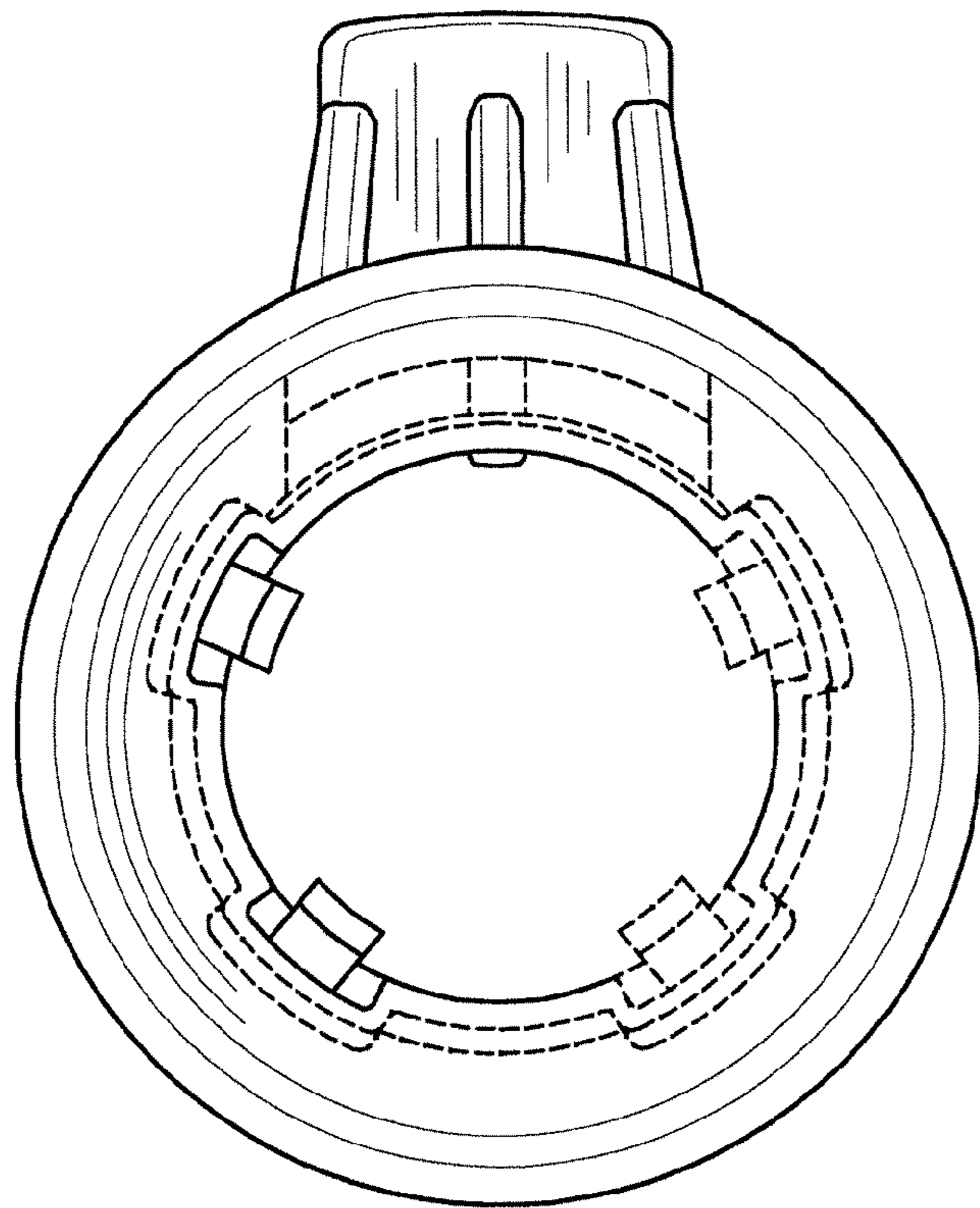
***FIG. 3***



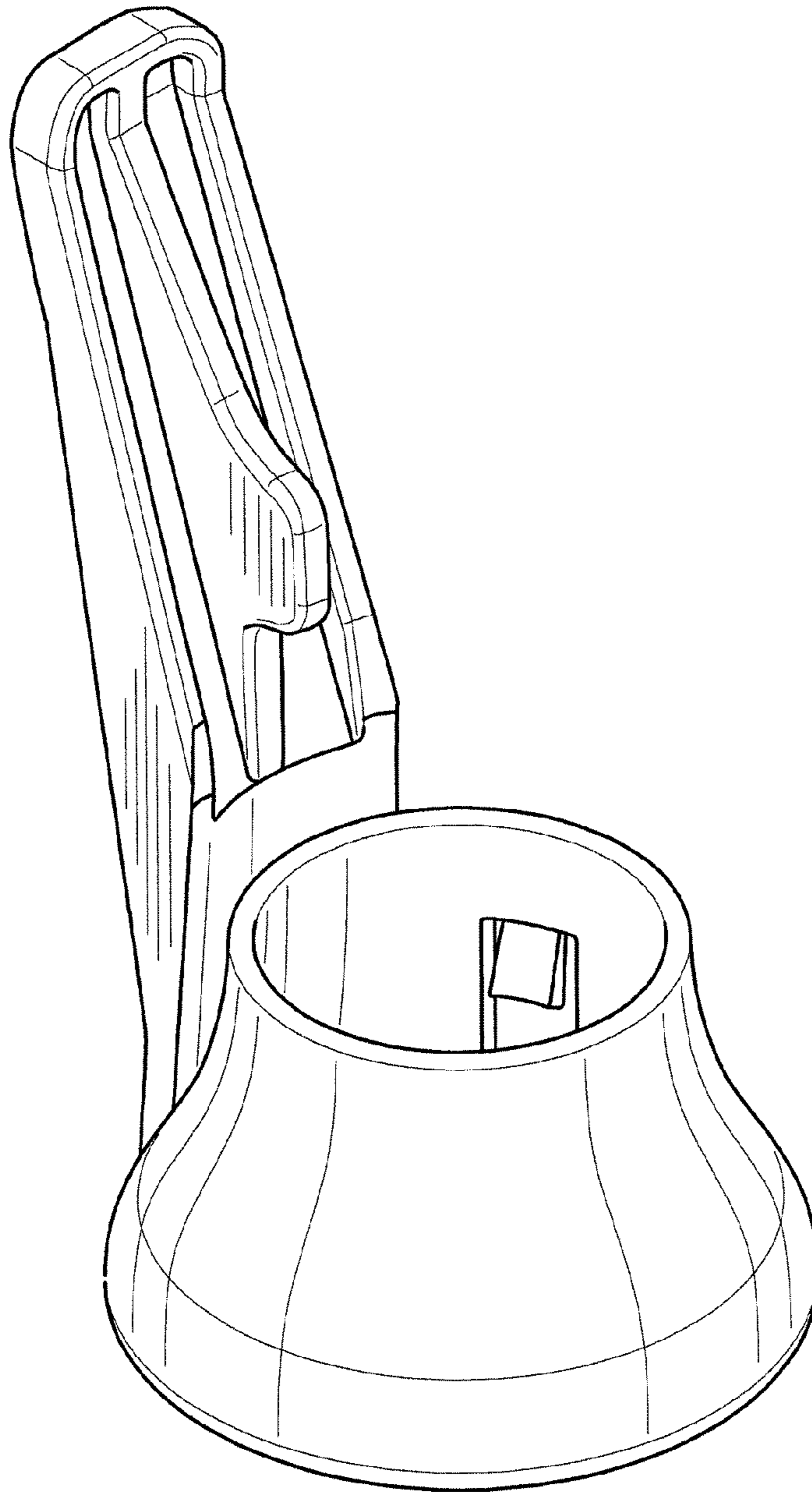
**FIG. 4**



**FIG. 5**

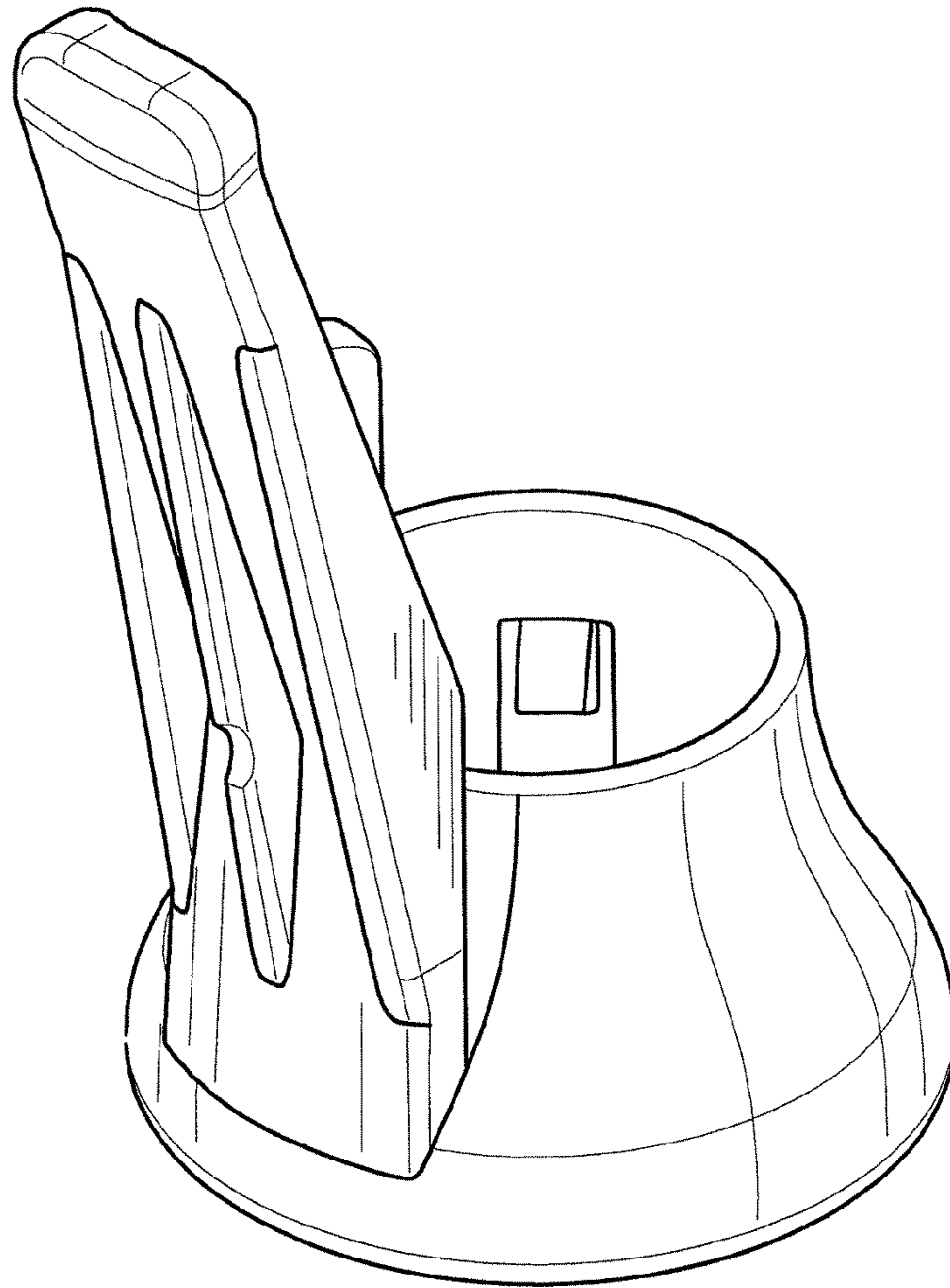


**FIG. 6**



**FIG. 7**





**FIG. 8**

UNITED STATES PATENT AND TRADEMARK OFFICE  
**CERTIFICATE OF CORRECTION**

PATENT NO. : D648,622 S  
APPLICATION NO. : 29/328856  
DATED : November 15, 2011  
INVENTOR(S) : Werner F. Dubach

Page 1 of 1

It is certified that error appears in the above-identified patent and that said Letters Patent is hereby corrected as shown below:

Title page, item (30) Foreign Application Priority Data, “(EM)” should read -- (EU) --.

Signed and Sealed this  
Fourteenth Day of August, 2012

A handwritten signature in black ink that reads "David J. Kappos". The signature is written in a cursive style with a large initial "D" and "K".

David J. Kappos  
*Director of the United States Patent and Trademark Office*