



US00D648621S

(12) **United States Design Patent**  
**Ranieri et al.**

(10) **Patent No.:** **US D648,621 S**

(45) **Date of Patent:** **\*\* Nov. 15, 2011**

(54) **CUTLERY SHEATH**

(75) Inventors: **Laura Ranieri**, Palatine, IL (US); **John Chap**, Woodridge, IL (US); **Nicholas S. Blair**, Whitefish Bay, WI (US); **Charles L. Lasky**, Grafton, WI (US); **Scott H. Micoley**, Cedarburg, WI (US)

(73) Assignee: **WKI Holding Company, Inc.**, Rosemont, IL (US)

(\*\*) Term: **14 Years**

(21) Appl. No.: **29/344,396**

(22) Filed: **Sep. 29, 2009**

(51) **LOC (9) Cl.** ..... **93-03**

(52) **U.S. Cl.** ..... **D9/415**

(58) **Field of Classification Search** ..... D9/718, D9/722, 414, 415, 434, 455, 457, 499; D8/349, D8/354, 373; 206/214, 575, 581, 1.9, 703, 206/385, 443, 446, 461-471, 475, 780, 781, 206/806, 206-212, 277, 349-383, 477-484; 211/13.1, 60.1, 70.1, 70.6

See application file for complete search history.

(56) **References Cited**

**U.S. PATENT DOCUMENTS**

D184,600	S	*	3/1959	Carlson	.....	D8/373
D272,412	S	*	1/1984	Shanklin	.....	D8/343
4,450,961	A	*	5/1984	Bies et al.	.....	206/349
D274,600	S	*	7/1984	Pepper	.....	D8/373
5,291,996	A	*	3/1994	Linden	.....	206/349

5,477,964	A	*	12/1995	Hart	.....	206/349
D429,461	S	*	8/2000	Rowlay	.....	D9/415
6,409,015	B1	*	6/2002	Hu	.....	206/378
7,624,865	B2	*	12/2009	Pendergraph et al.	.....	206/379
2003/0034316	A1	*	2/2003	Kao	.....	211/70.6

**FOREIGN PATENT DOCUMENTS**

WO D023833-001 \* 11/1992

\* cited by examiner

*Primary Examiner* — Catherine Tuttle

(74) *Attorney, Agent, or Firm* — McDermott Will & Emery LLP

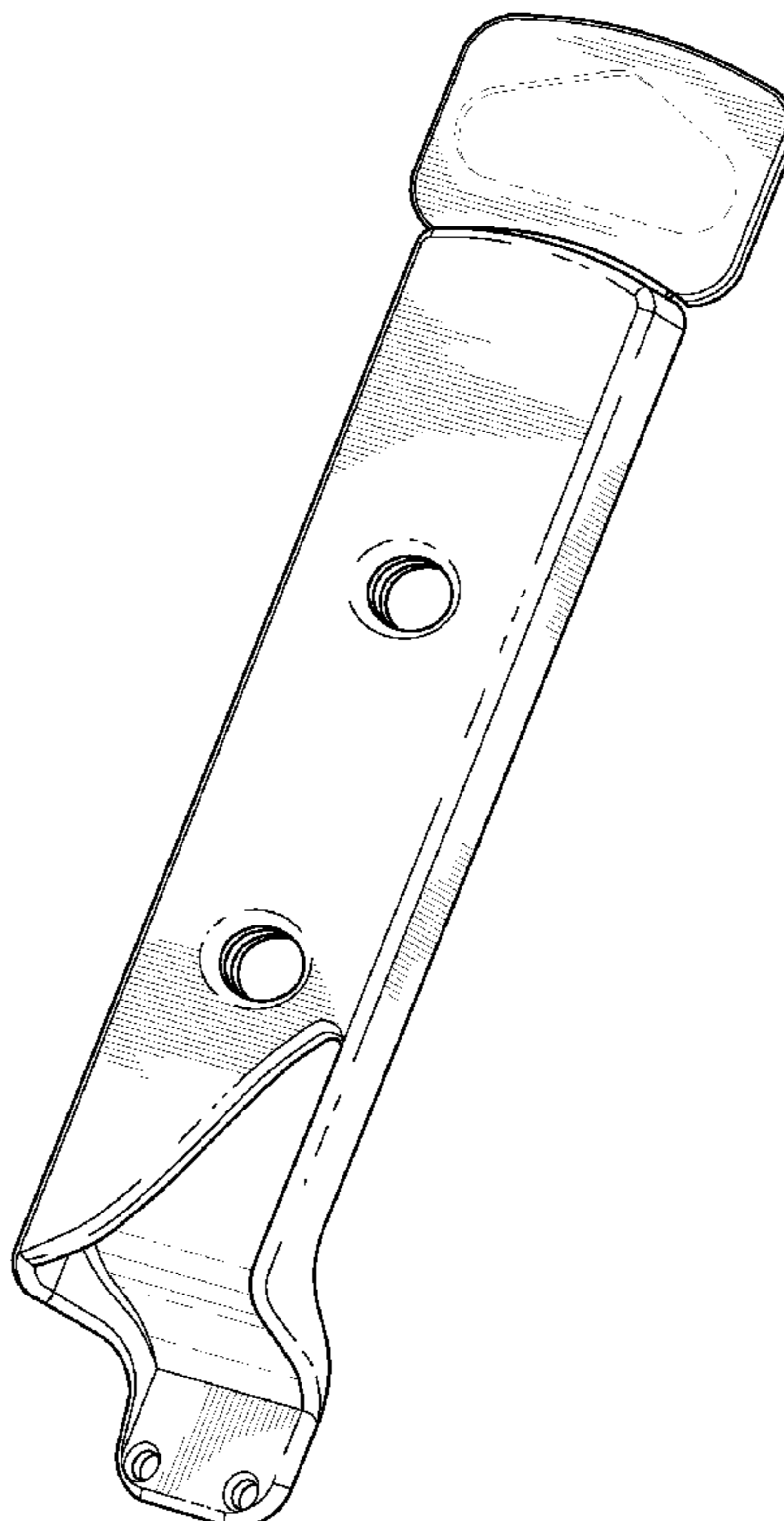
(57) **CLAIM**

We claim the ornamental design for a cutlery sheath, as shown and described.

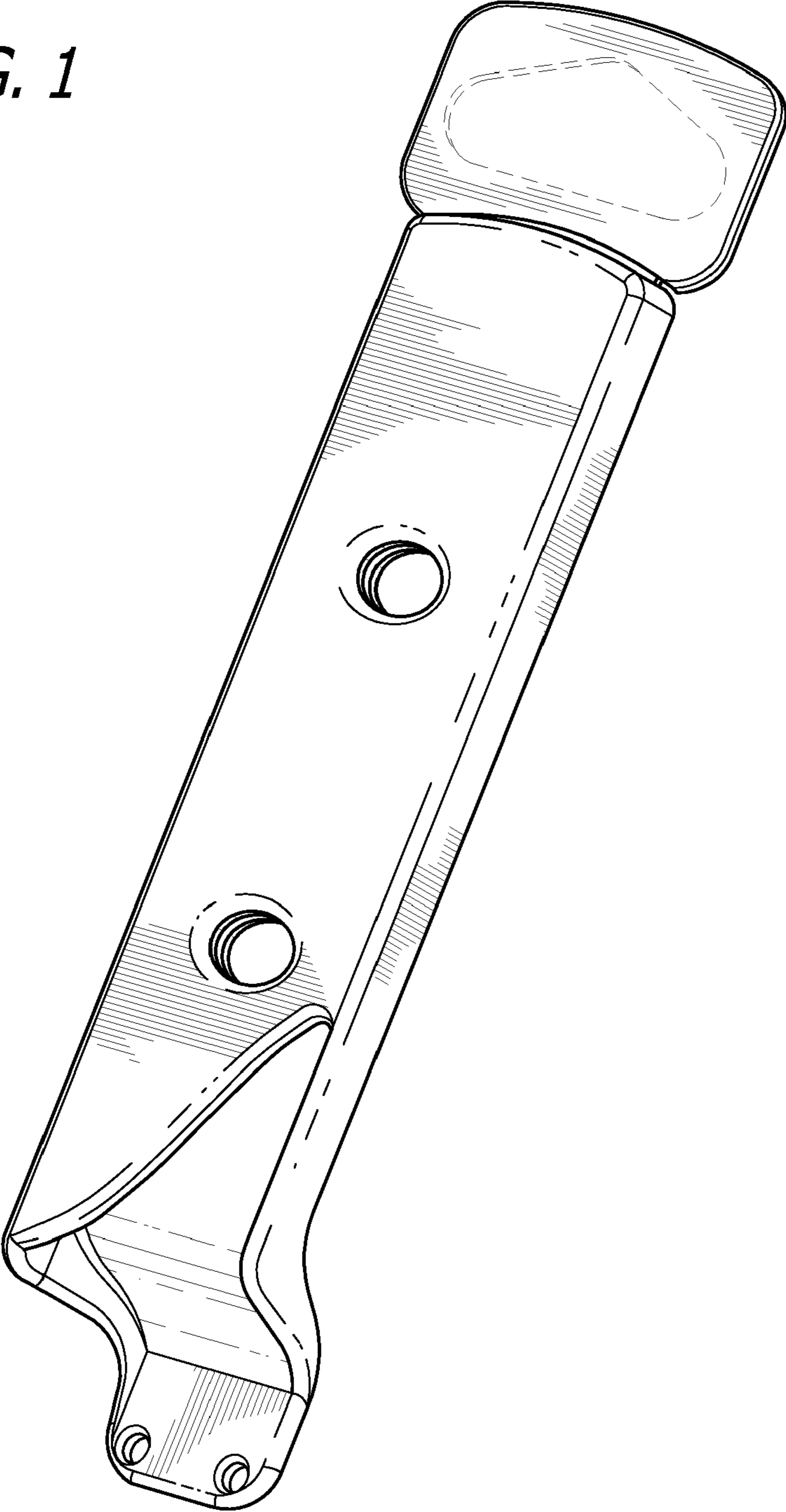
**DESCRIPTION**

FIG. 1 is a perspective view of a cutlery sheath showing our new design; FIG. 2 is a front view of the cutlery sheath shown in FIG. 1; FIG. 3 is a rear view of the cutlery sheath shown in FIG. 1; FIG. 4 is a left side view of the cutlery sheath shown in FIG. 1; FIG. 5 is a right side view of the cutlery sheath shown in FIG. 1; FIG. 6 is a top view of the cutlery sheath shown in FIG. 1; and, FIG. 7 is a bottom view of the cutlery sheath shown in FIG. 1. The broken lines shown in FIGS. 1-3 are included for the purpose of illustrating a portion of the cutlery sheath that forms no part of the claimed design.

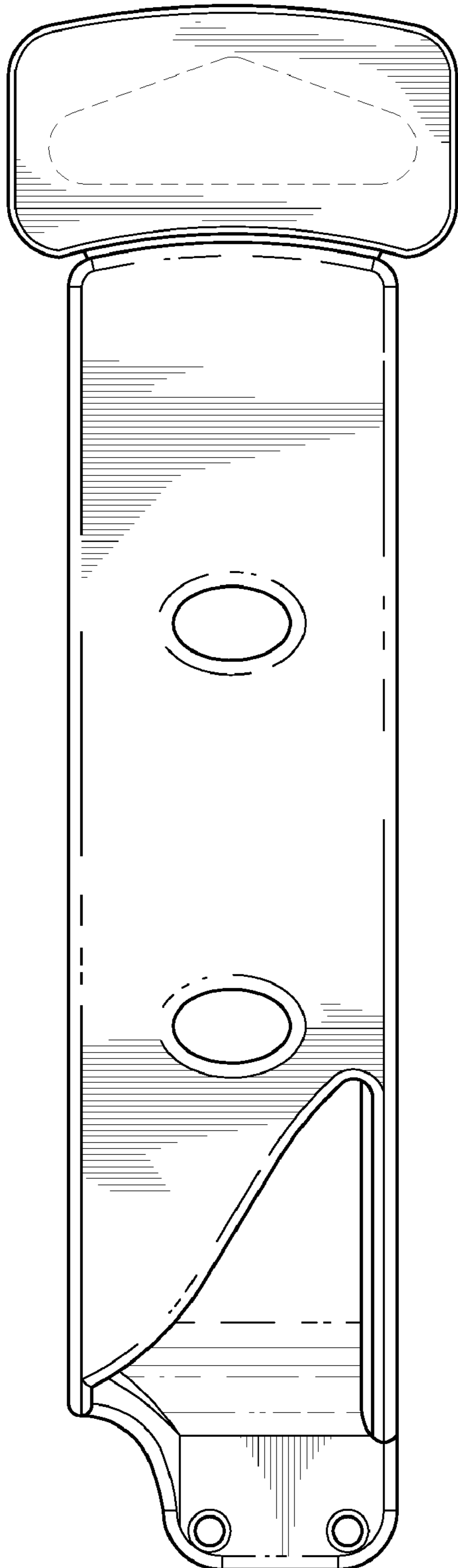
**1 Claim, 3 Drawing Sheets**



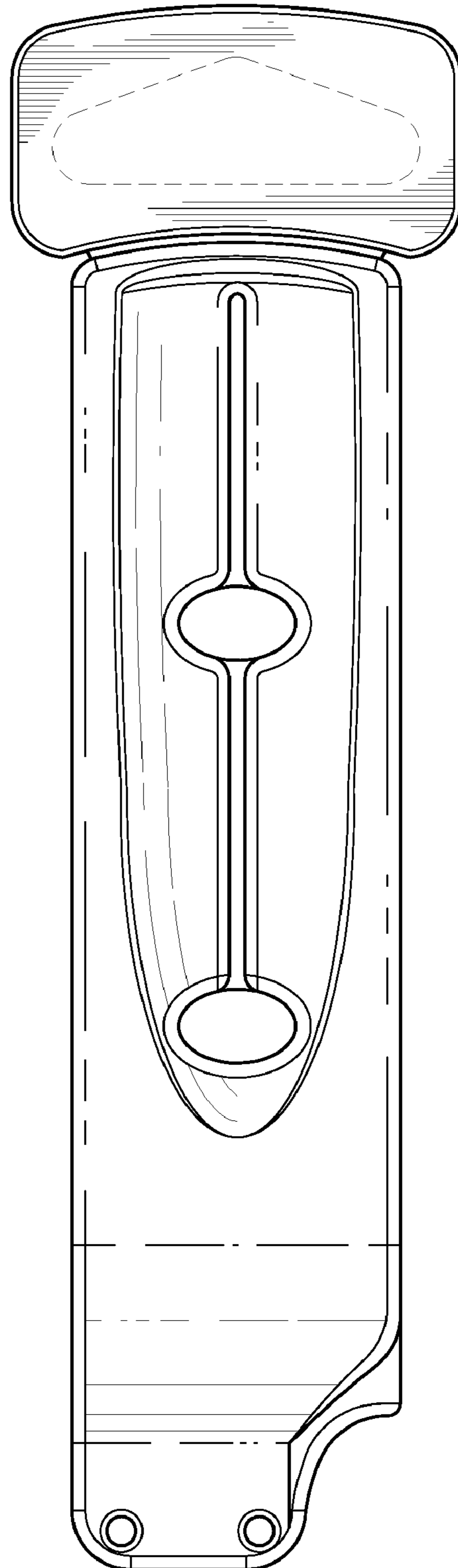
*FIG. 1*



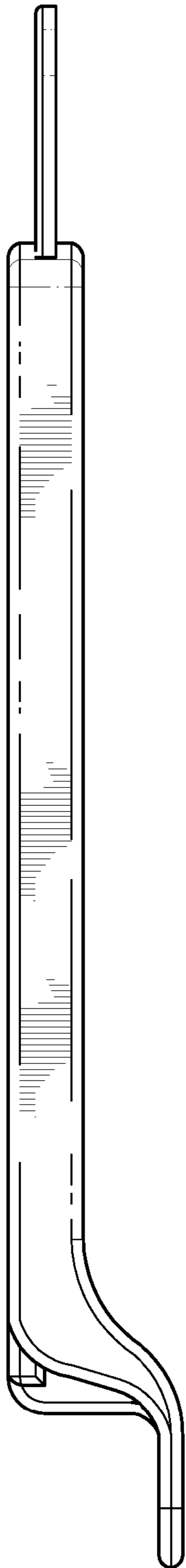
*FIG. 2*



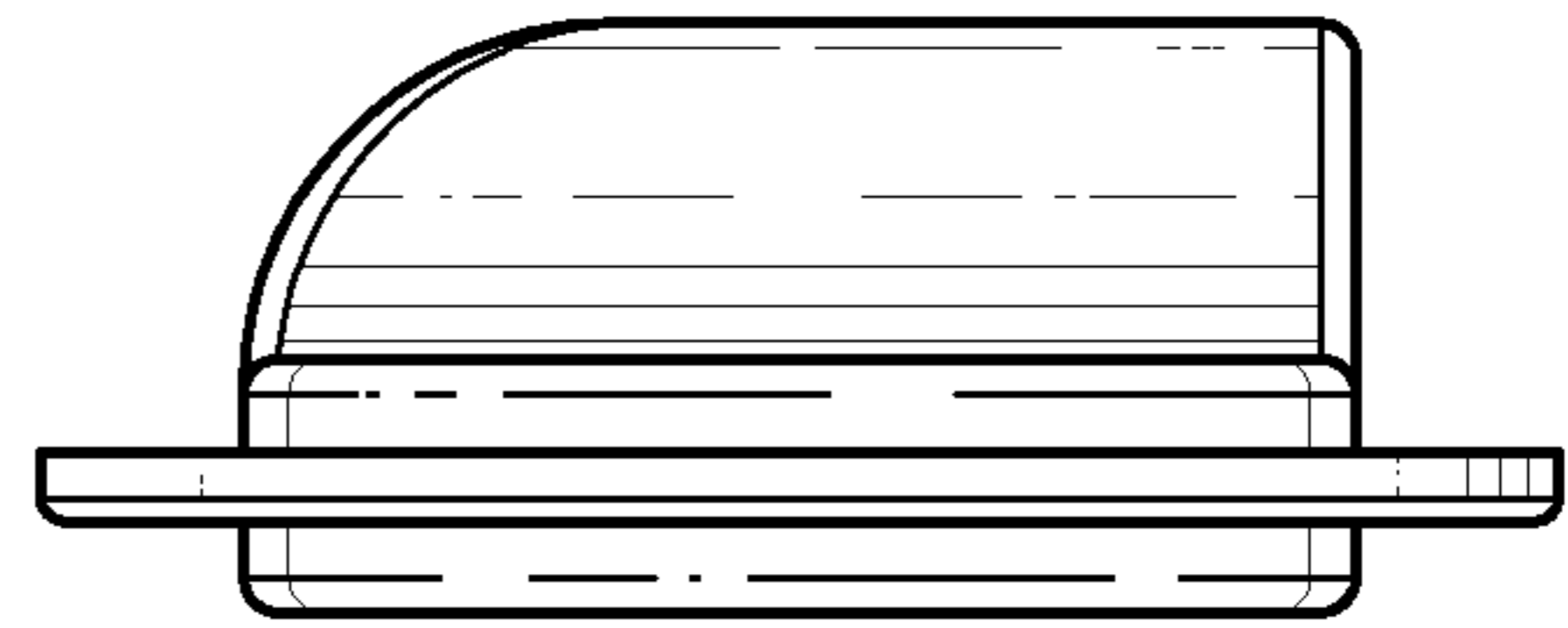
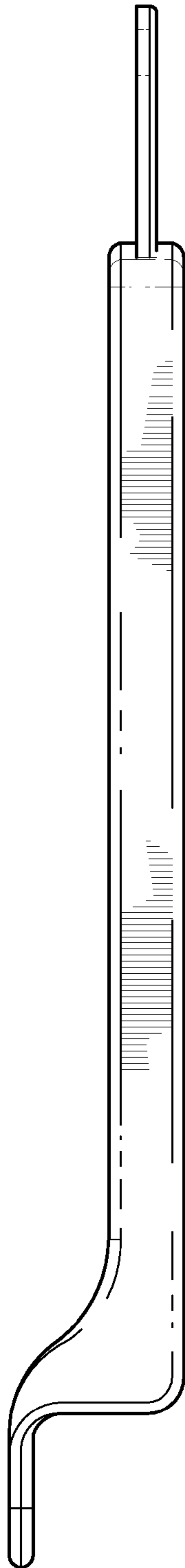
*FIG. 3*



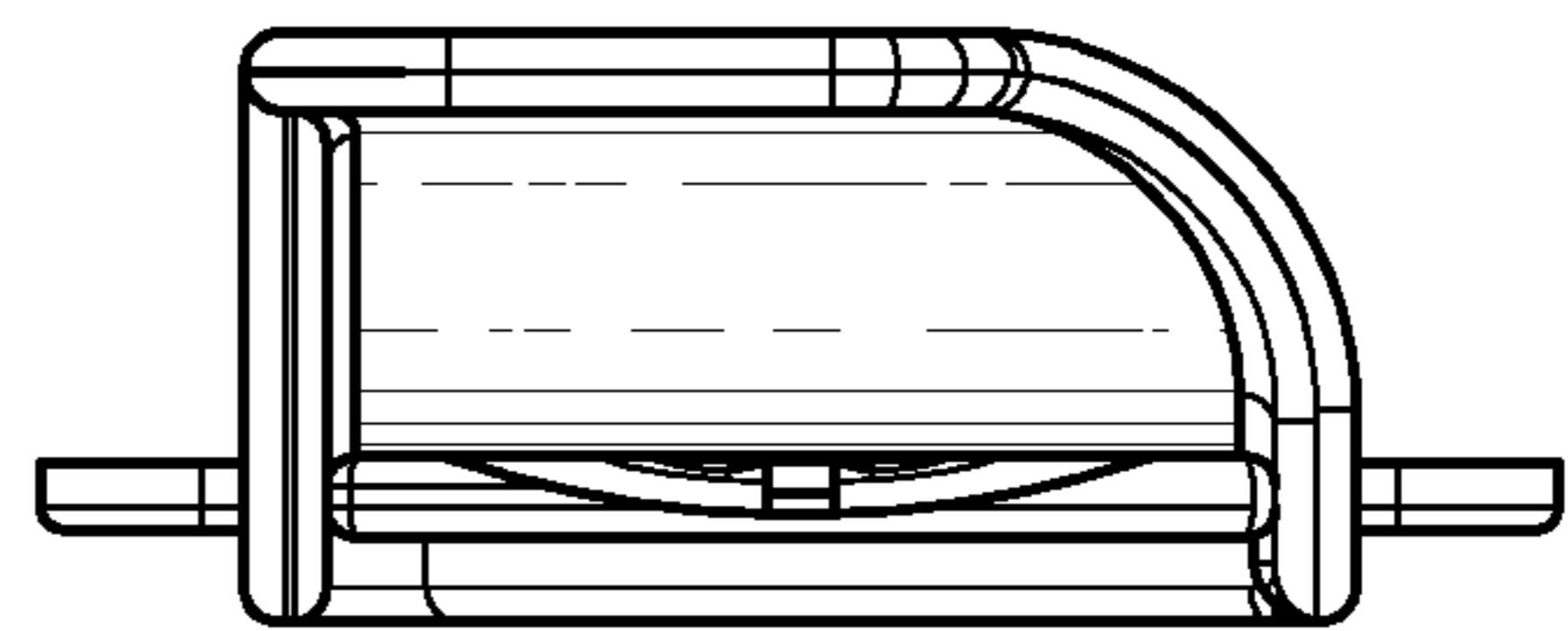
*FIG. 4*



*FIG. 5*



*FIG. 6*



*FIG. 7*