



US00D648620S

(12) **United States Design Patent**  
**Wagner**

(10) **Patent No.:** **US D648,620 S**

(45) **Date of Patent:** **\*\* \*Nov. 15, 2011**

(54) **SIGN POLE ADVERTISING MOUNTING ASSEMBLY**

(75) Inventor: **Paul F. Wagner**, Houston, TX (US)

(73) Assignee: **Cole & Ashcroft, L.P.**, Houston, TX (US)

(\* ) Notice: This patent is subject to a terminal disclaimer.

(\*\*) Term: **14 Years**

(21) Appl. No.: **29/384,684**

(22) Filed: **Feb. 2, 2011**

(51) **LOC (9) Cl.** ..... **08-08**

(52) **U.S. Cl.** ..... **D8/396**

(58) **Field of Classification Search** ..... D8/354,  
D8/356, 371, 394-396; D19/65, 86; D24/128;  
248/74.2, 215, 227.1, 49, 300, 301, 316.7,  
248/51, 489; 24/570, 3.12; D3/203.2, 203.3;  
D21/392

See application file for complete search history.

(56) **References Cited**

**U.S. PATENT DOCUMENTS**

D30,442 S *	3/1899	Wahlert	.....	D8/396
3,180,662 A *	4/1965	Parlasca et al.	.....	285/95
4,319,758 A *	3/1982	Nicholson	.....	277/550
D264,045 S *	4/1982	Elliot et al.	.....	D8/355
D271,467 S *	11/1983	Sakaguchi	.....	D8/382
D291,728 S *	9/1987	Hoyt	.....	D24/130
D344,449 S *	2/1994	Ward	.....	D8/395

D363,016 S *	10/1995	Sipprelle et al.	.....	D8/395
5,669,612 A *	9/1997	Nicholson	.....	277/614
D404,996 S *	2/1999	Ross	.....	D8/382
D417,612 S *	12/1999	Jones	.....	D8/395
D438,093 S *	2/2001	Mandujano	.....	D8/396
D483,654 S *	12/2003	Taylor	.....	D8/356
D586,649 S *	2/2009	Fleischman	.....	D8/396
7,721,396 B2 *	5/2010	Fleischman	.....	24/460
D631,740 S *	2/2011	Wood	.....	D8/396

\* cited by examiner

*Primary Examiner* — Celia Murphy

*Assistant Examiner* — John Windmuller

(74) *Attorney, Agent, or Firm* — Locke, Lord, Bissell & Liddell, LLP

(57) **CLAIM**

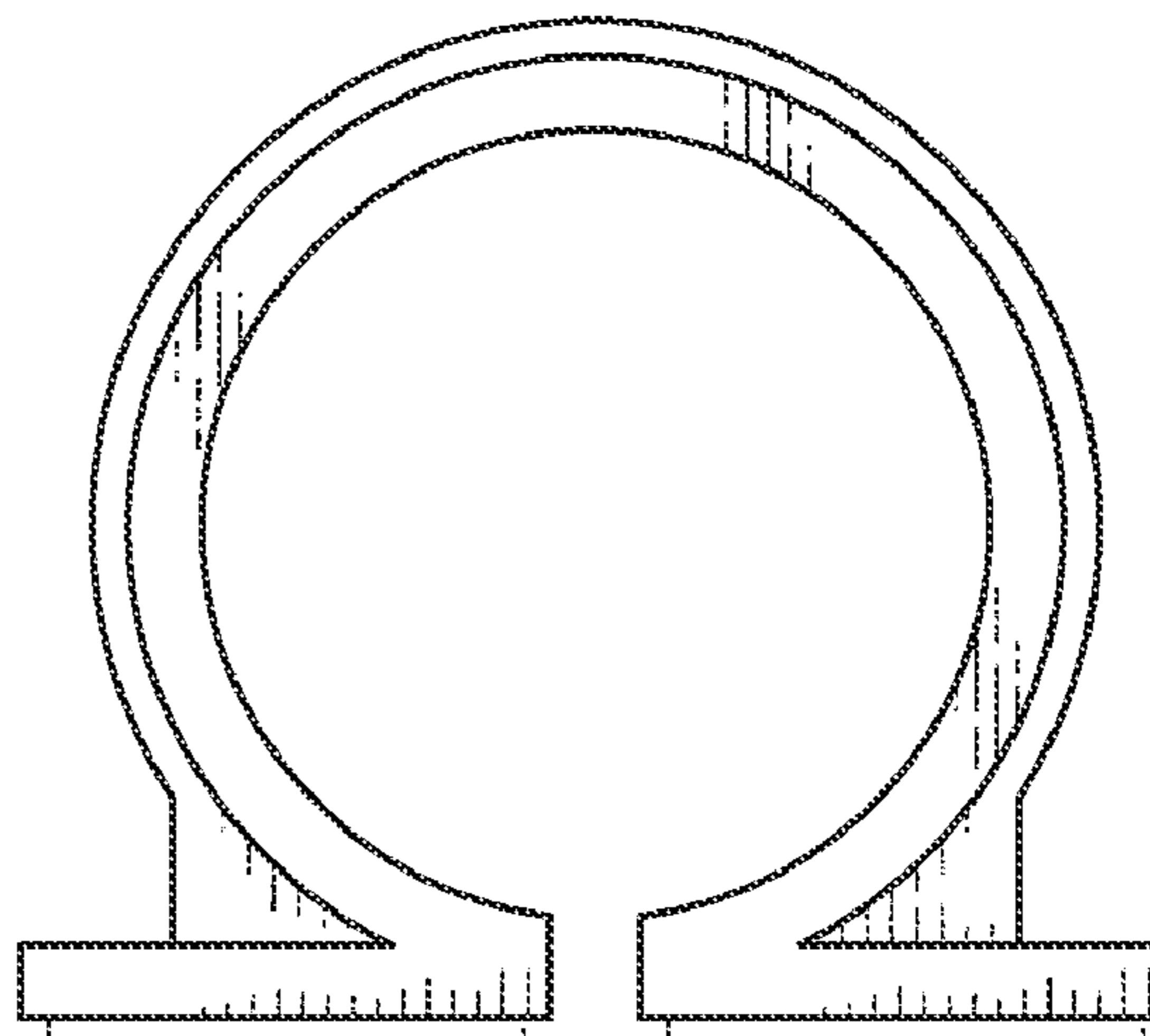
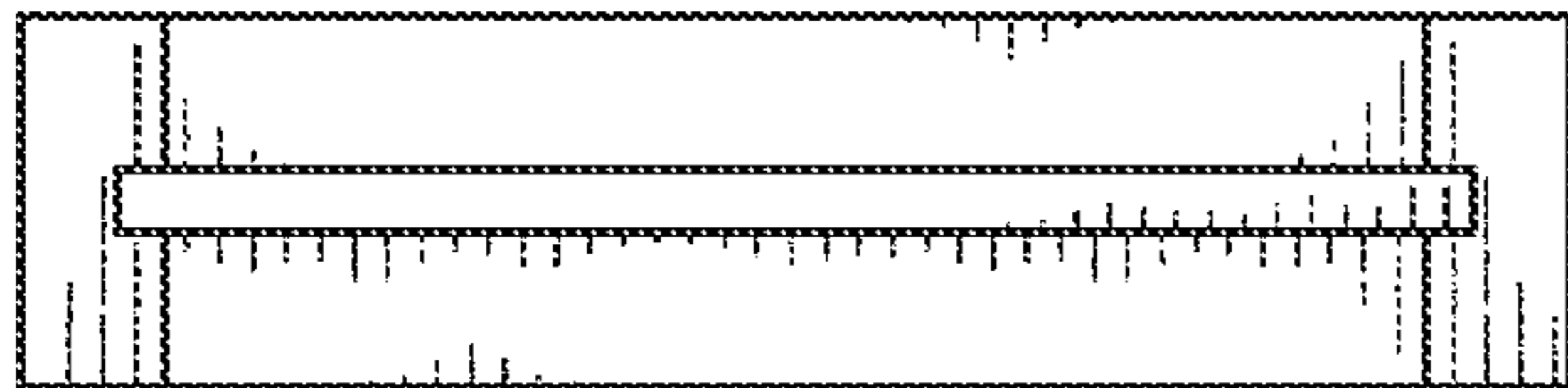
The ornamental design for a sign pole advertising mounting assembly, as shown and described.

**DESCRIPTION**

FIG. 1 is an isometric front perspective view of the sign pole advertising mounting assembly;  
FIG. 2 is a front elevational view thereof;  
FIG. 3 is a rear elevational view thereof;  
FIG. 4 is a top view thereof;  
FIG. 5 is a bottom view thereof;  
FIG. 6 is a side view thereof; and,  
FIG. 7 is a side view showing the side opposite that shown in FIG. 6.

The broken lines in the Figures are for the purpose of illustrating exemplary environmental structure and form no part of the claimed design.

**1 Claim, 2 Drawing Sheets**



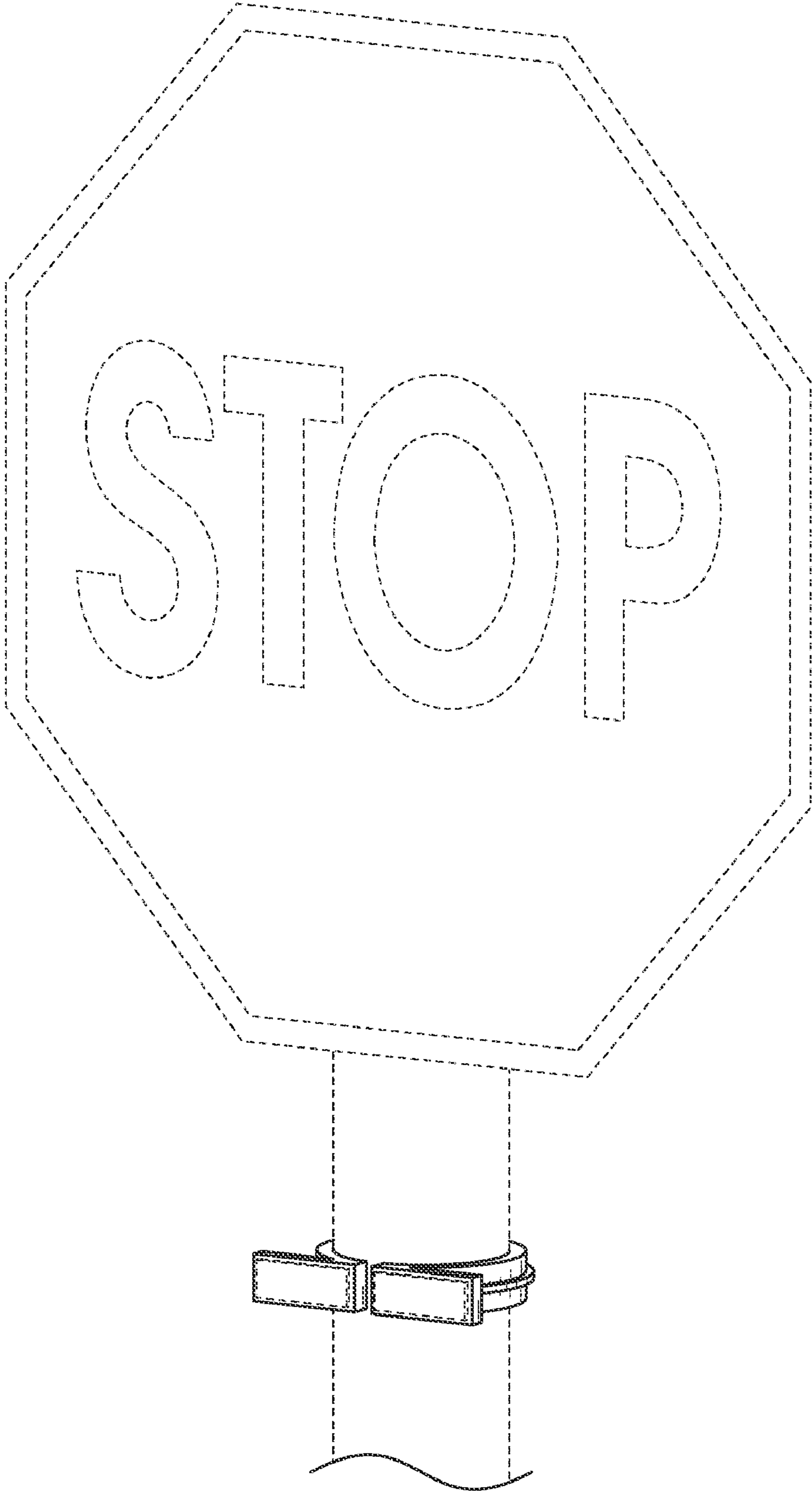


FIG. 1

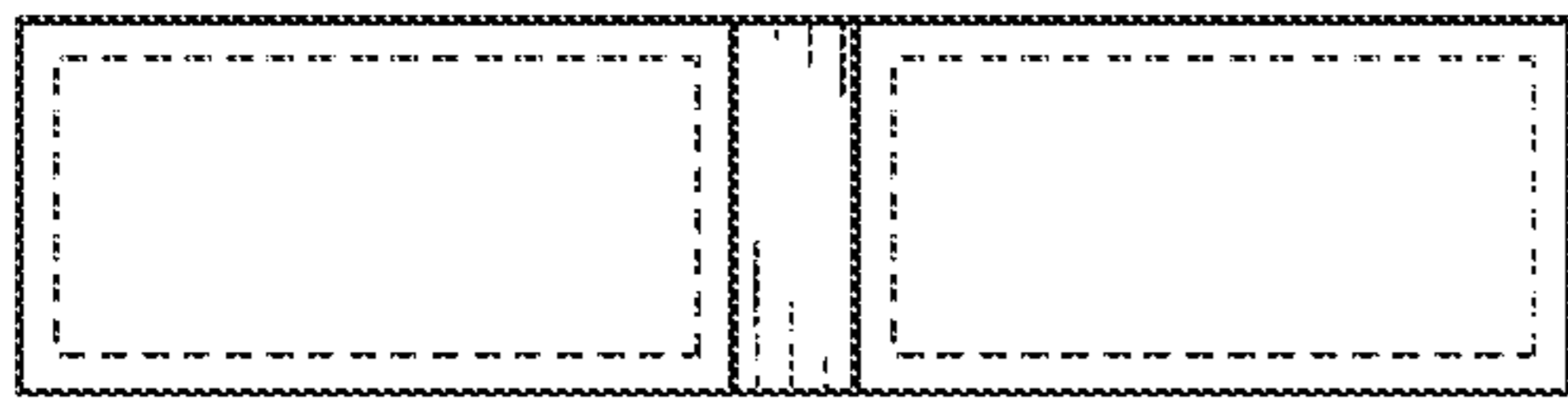


FIG. 2

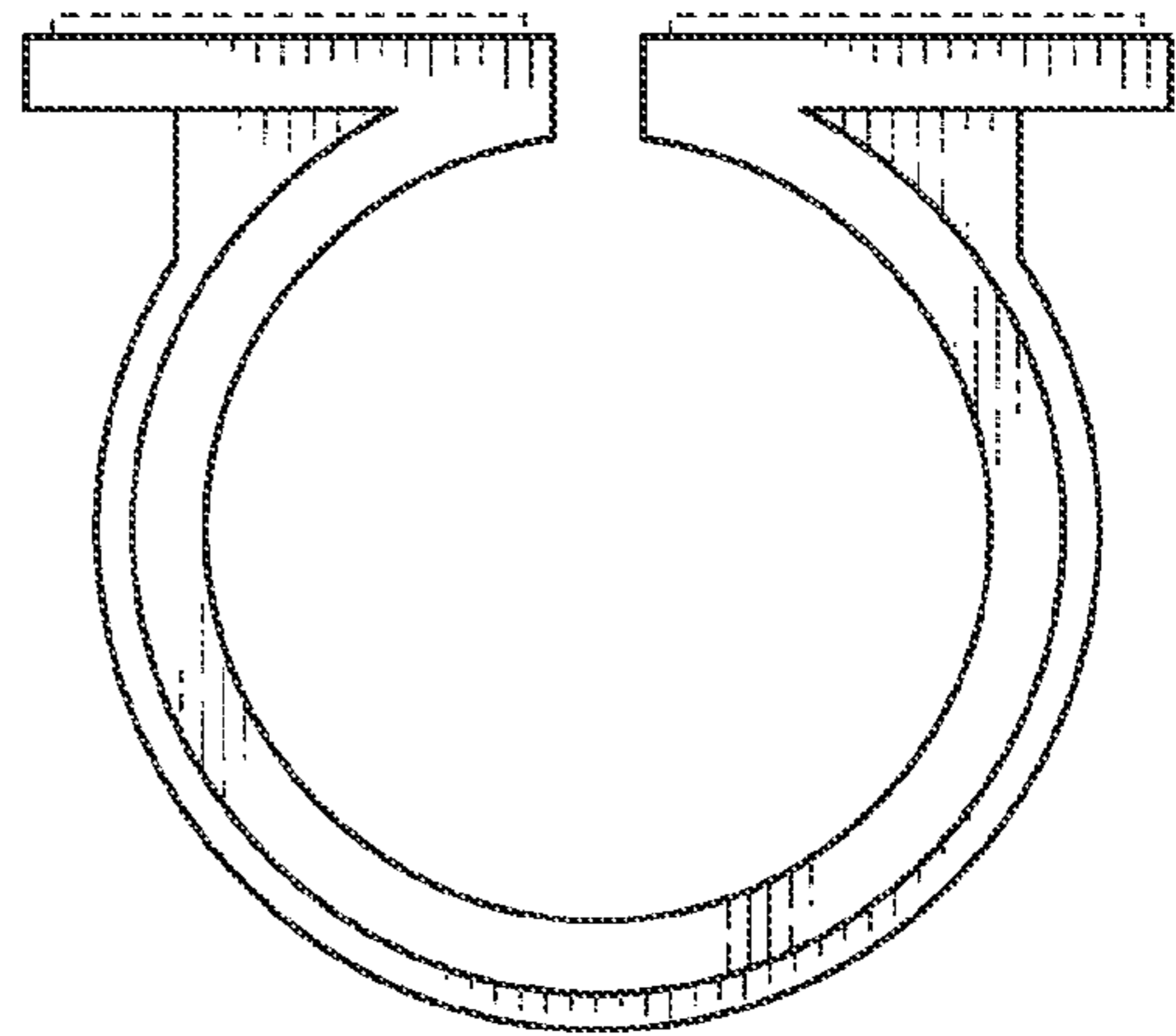


FIG. 5

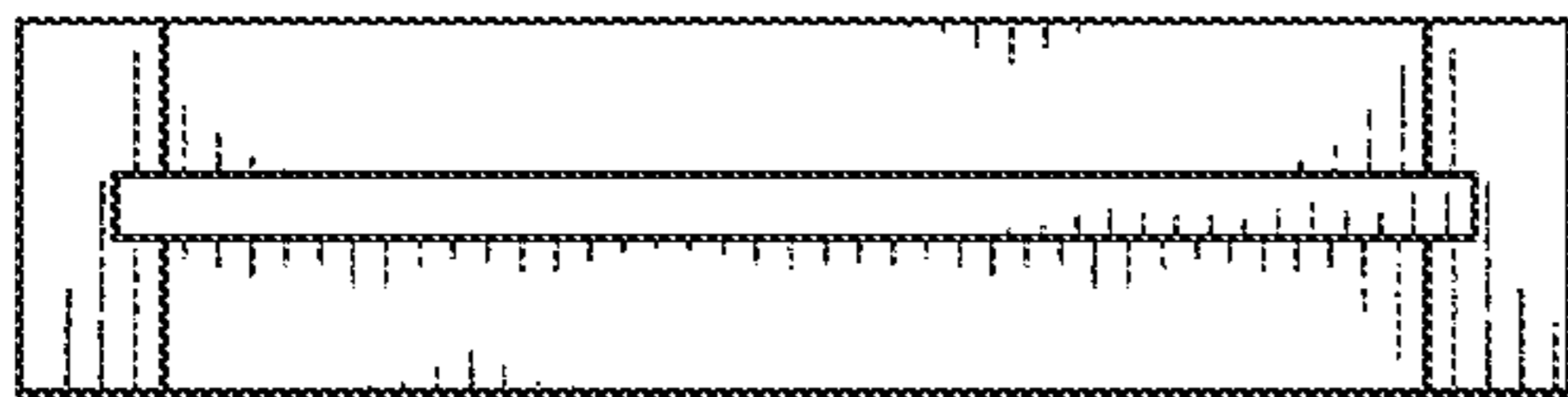


FIG. 3

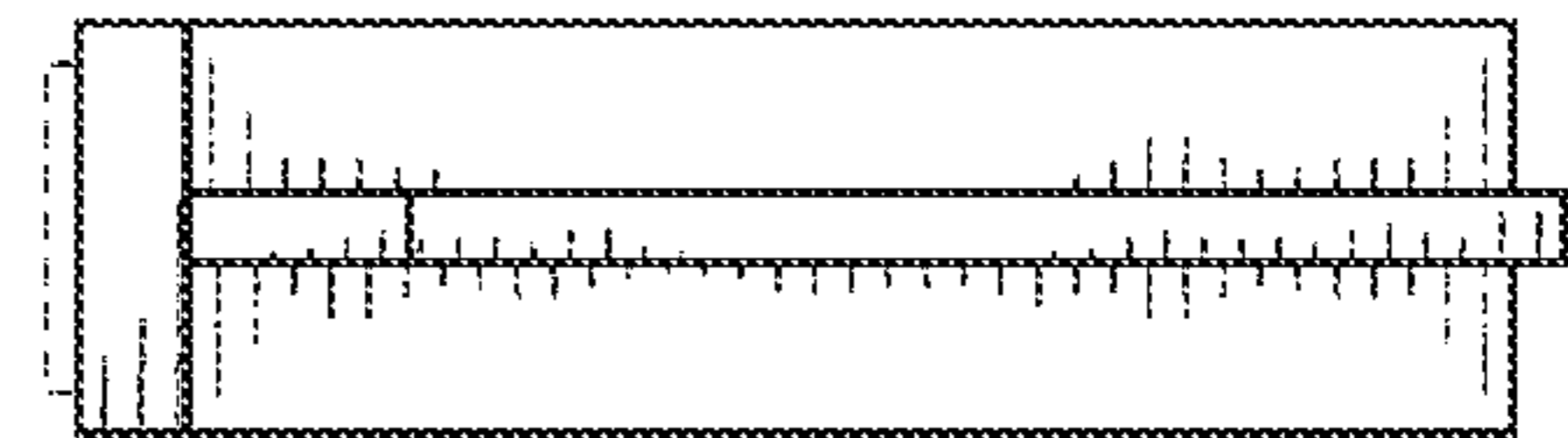


FIG. 6

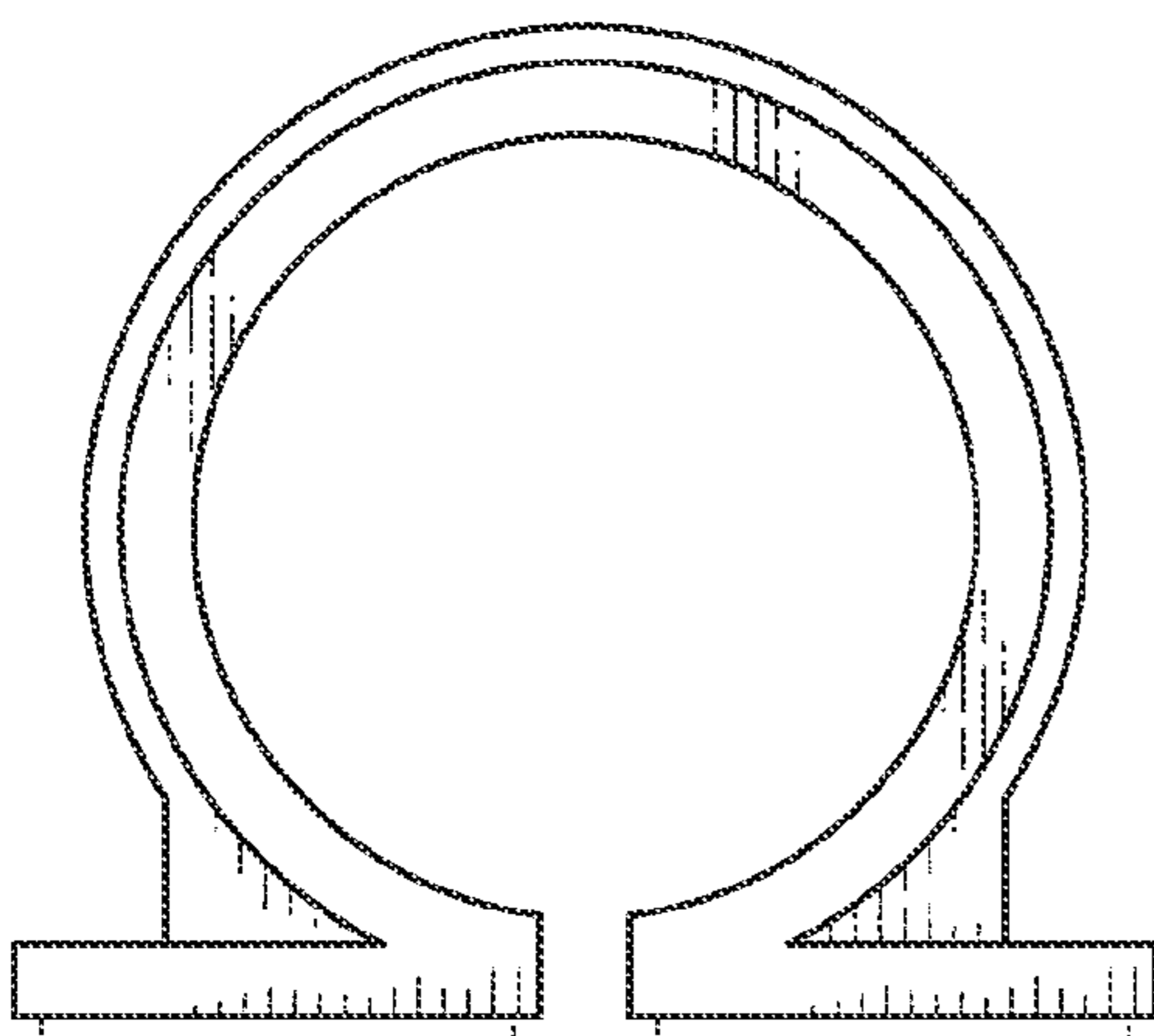


FIG. 4

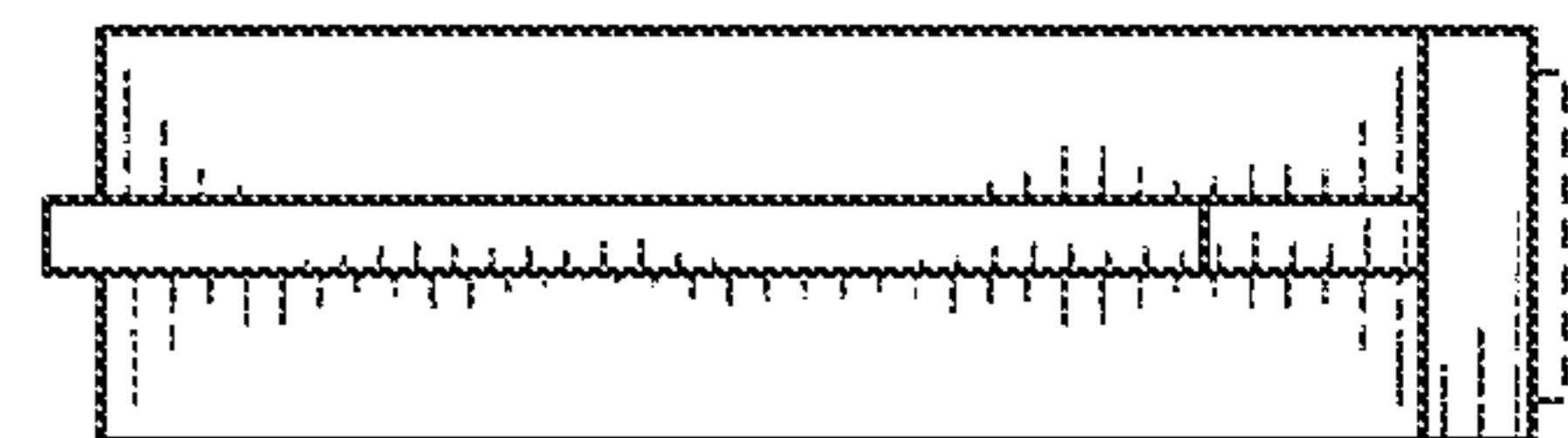


FIG. 7