



US00D648618S

(12) **United States Design Patent**
Goodman et al.

(10) **Patent No.:** **US D648,618 S**
(45) **Date of Patent:** **** Nov. 15, 2011**

(54) **HOOKS WITH BIRD DESIGN**

(75) Inventors: **Sheldon H. Goodman**, Solon, OH (US);
Omer I. Sazir, Cleveland, OH (US)

(73) Assignee: **Spectrum Diversified Designs, Inc.**,
Streetsboro, OH (US)

(**) Term: **14 Years**

(21) Appl. No.: **29/368,086**

(22) Filed: **Aug. 18, 2010**

(51) **LOC (9) Cl.** **08-05**

(52) **U.S. Cl.** **D8/367; D8/372**

(58) **Field of Classification Search** **D8/367,**
D8/370, 372; 248/302-303, 214-215, 317
See application file for complete search history.

(56) **References Cited**

U.S. PATENT DOCUMENTS

D368,016	S	*	3/1996	McDowell et al.	D8/367
D368,018	S	*	3/1996	McDowell et al.	D8/367
D405,681	S	*	2/1999	McDowell et al.	D8/367
D413,788	S	*	9/1999	Adams et al.	D8/367
D427,892	S	*	7/2000	Walters-Dowding et al.	..	D8/367
D430,791	S	*	9/2000	Henry et al.	D8/367
D434,305	S	*	11/2000	Reichert et al.	D8/367
D544,220	S	*	6/2007	McConnell	D6/323

* cited by examiner

Primary Examiner — Holly Baynham

(74) *Attorney, Agent, or Firm* — Pearne & Gordon LLP

(57) **CLAIM**

The ornamental design for a hooks with bird design, as shown and described.

DESCRIPTION

FIG. 1 is a perspective view of a wall-mount bird design hook showing our new design;

FIG. 2 is a top plan view thereof;

FIG. 3 is a left side elevational view thereof;

FIG. 4 is a front elevational view thereof;

FIG. 5 is a bottom plan view thereof;

FIG. 6 is a right side elevational view thereof;

FIG. 7 is a rear elevational view thereof;

FIG. 8 is an alternate environmental view of the design shown in FIG. 1;

FIG. 9 is a perspective view of a second embodiment of the design shown in FIG. 1;

FIG. 10 is a top plan view thereof;

FIG. 11 is a left side elevational view thereof;

FIG. 12 is a front elevational view thereof;

FIG. 13 is a bottom plan view thereof;

FIG. 14 is a right side elevational view thereof;

FIG. 15 is a rear elevational view thereof;

FIG. 16 is an alternate environmental view of the design shown in FIG. 9;

FIG. 17 is a perspective view of a third embodiment of the design shown in FIG. 1;

FIG. 18 is a top plan view thereof;

FIG. 19 is a left side elevational view thereof;

FIG. 20 is a front elevational view thereof;

FIG. 21 is a bottom plan view thereof;

FIG. 22 is a right side elevational view thereof;

FIG. 23 is a rear elevational view thereof;

FIG. 24 is a perspective view of a fourth embodiment of the design shown in FIG. 1;

FIG. 25 is an alternate environmental view of the design shown in FIG. 17;

FIG. 26 is a perspective view of a fifth embodiment of the design shown in FIG. 1;

FIG. 27 is a top plan view thereof;

FIG. 28 is a left side elevational view thereof;

FIG. 29 is a front elevational view thereof;

FIG. 30 is a bottom plan view thereof;

FIG. 31 is a right side elevational view thereof;

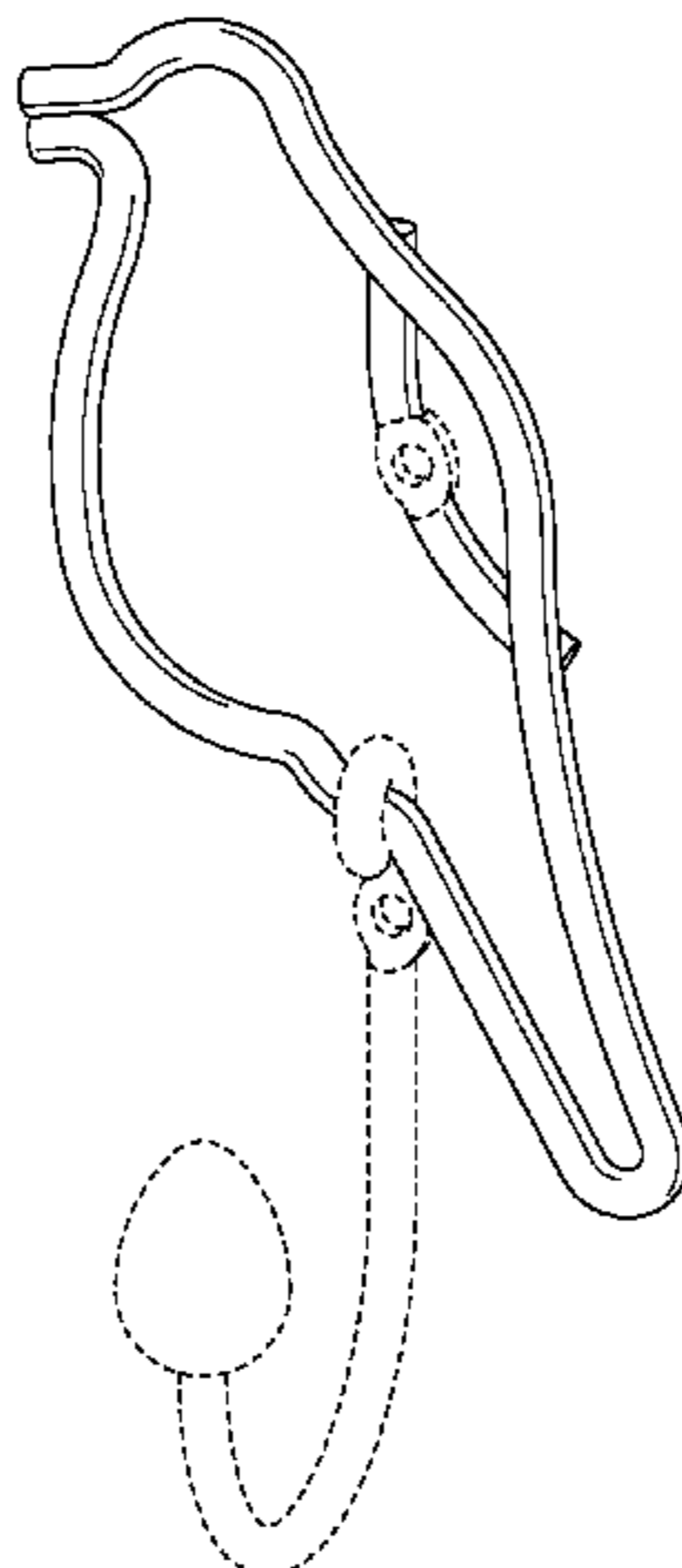
FIG. 32 is a rear elevational view thereof;

FIG. 33 is a perspective view showing of the hook rack of FIG. 26 having an indeterminate length and number of birds identically spaced as in FIG. 26; and,

FIG. 34 is an alternate environmental view of the design shown in FIG. 26.

The dotted-line showing in the drawings illustrates environmental matter and forms no part of the claimed design.

1 Claim, 18 Drawing Sheets



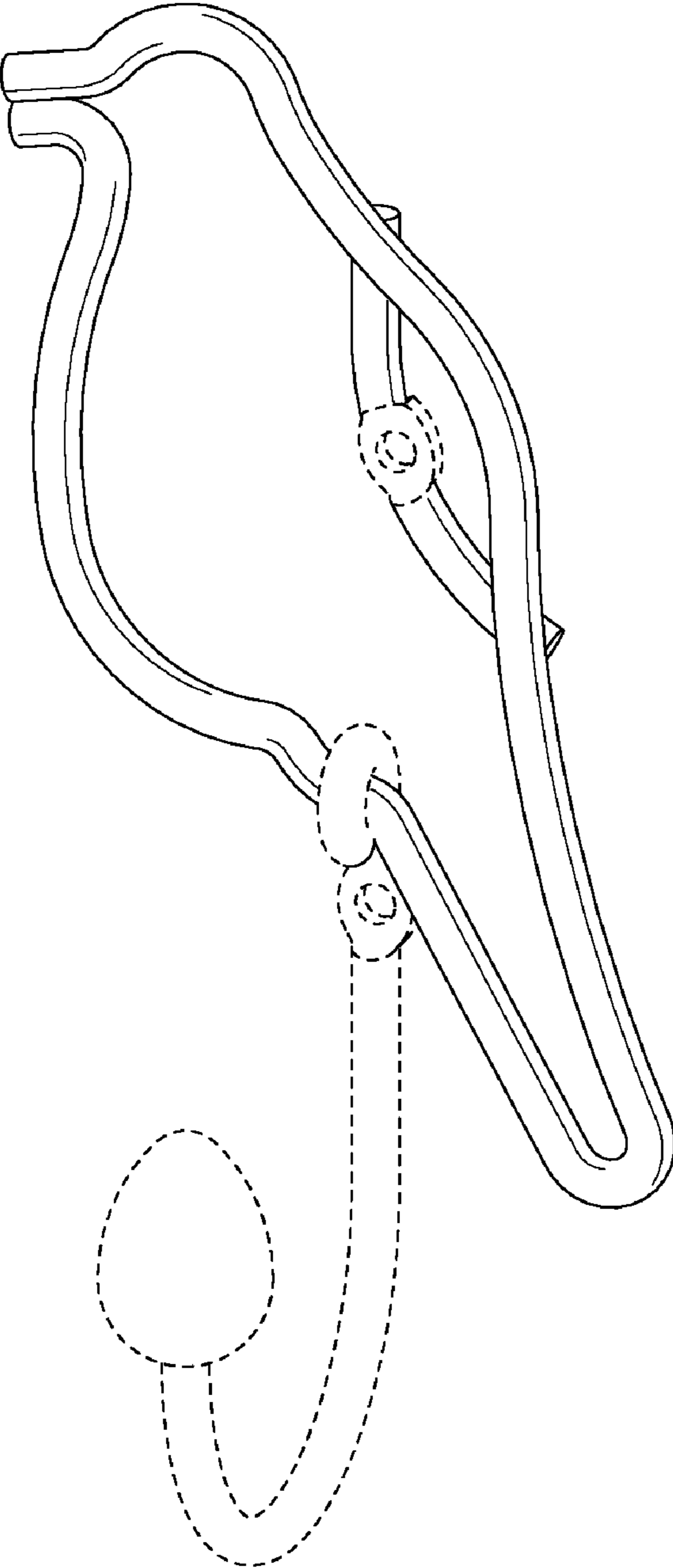


FIG. 1

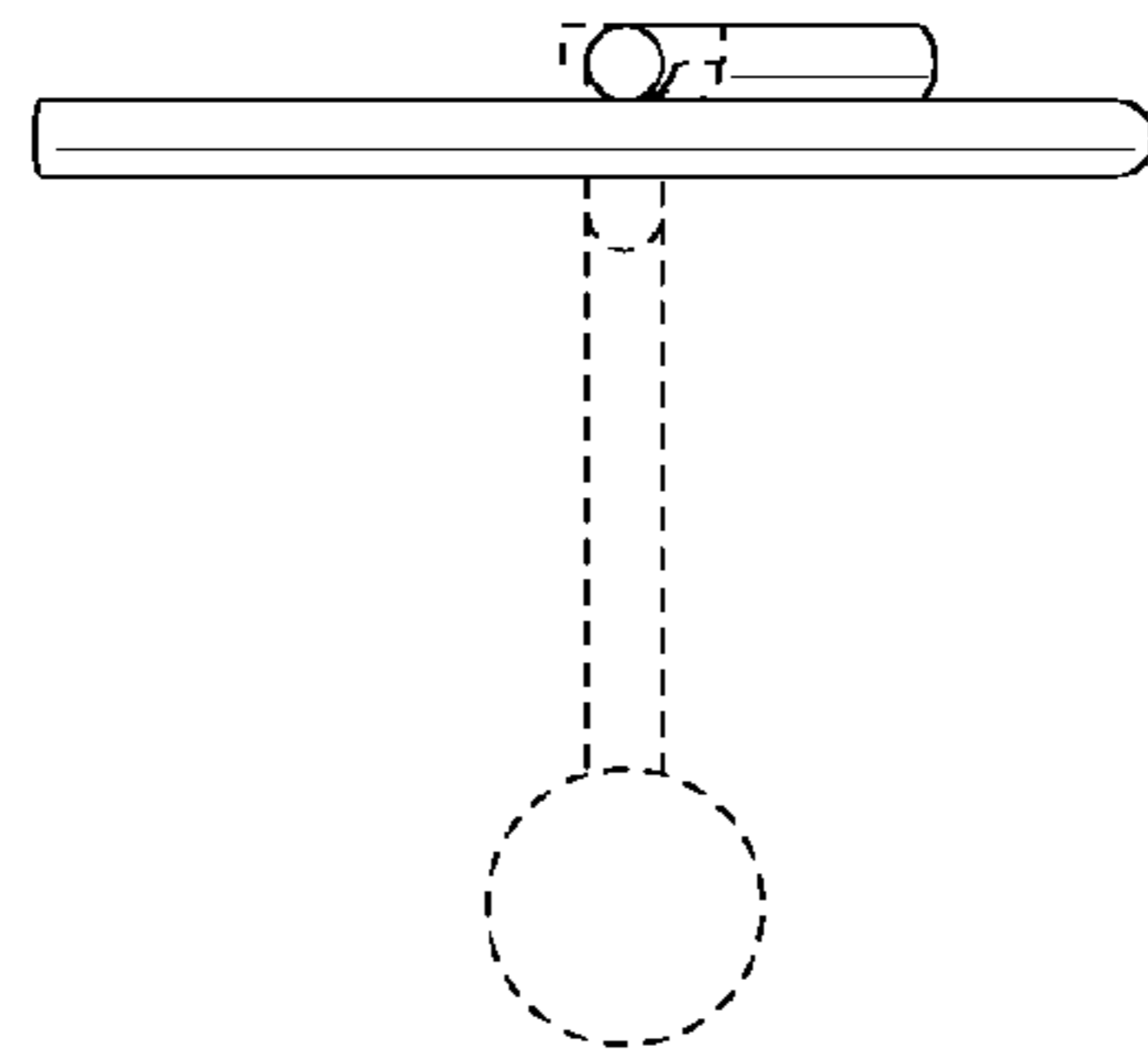


FIG. 2

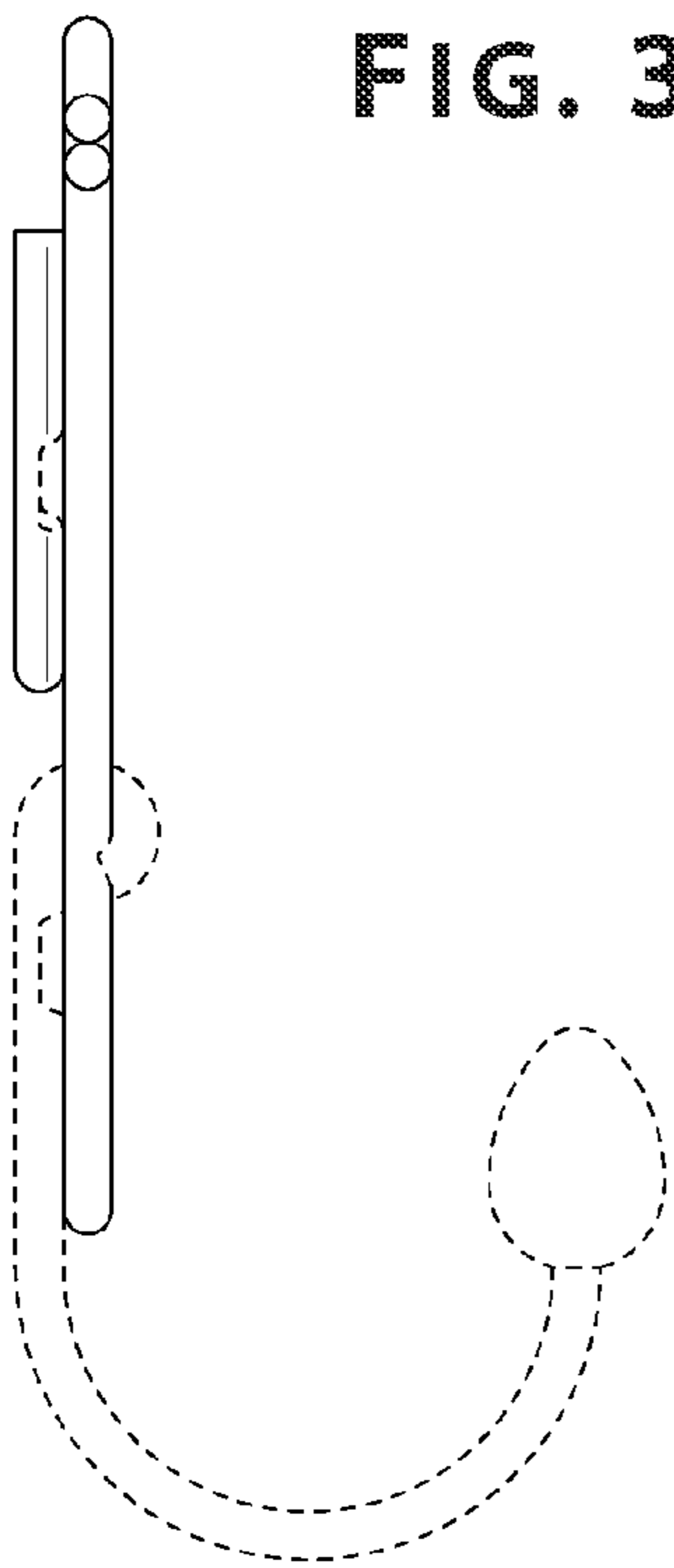


FIG. 3

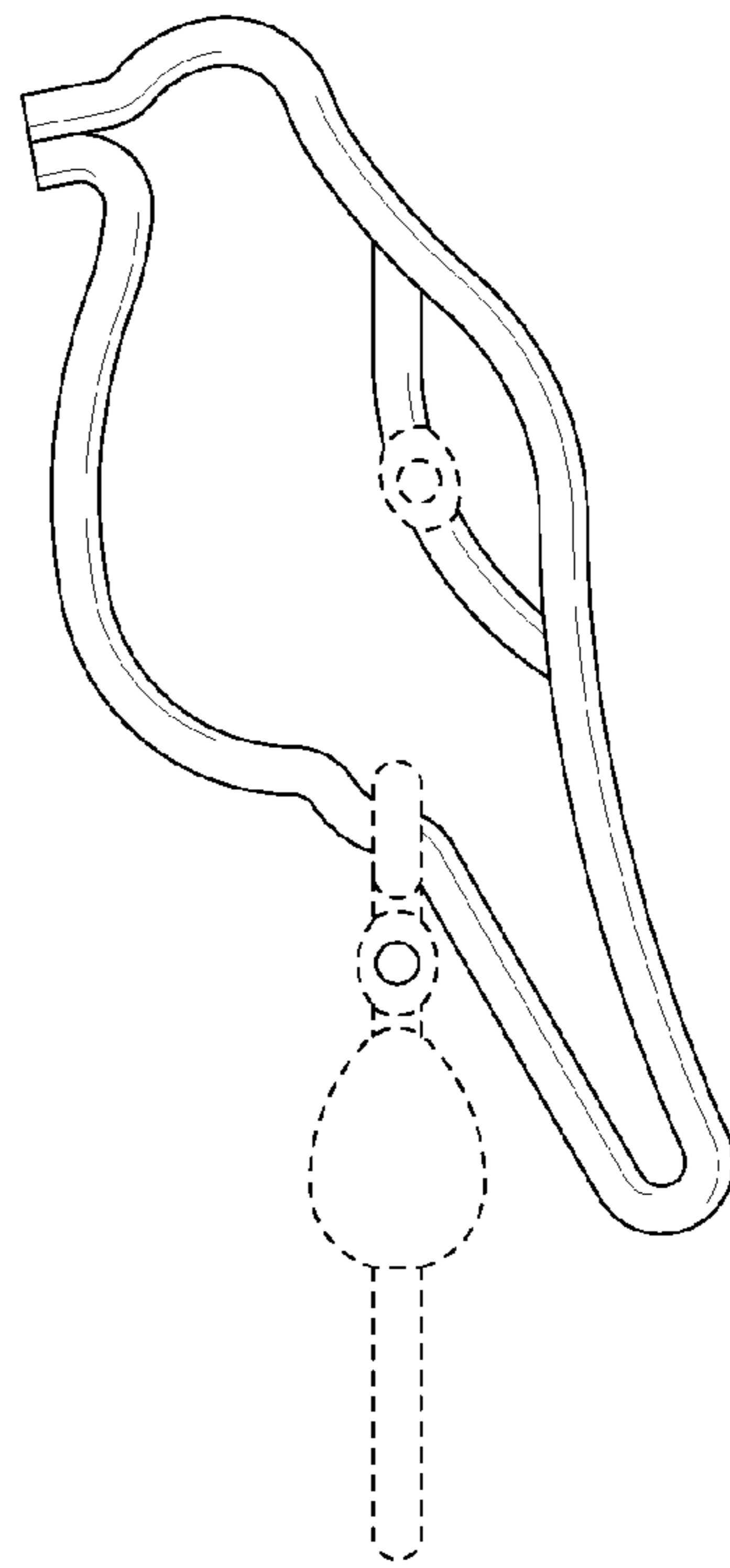


FIG. 4

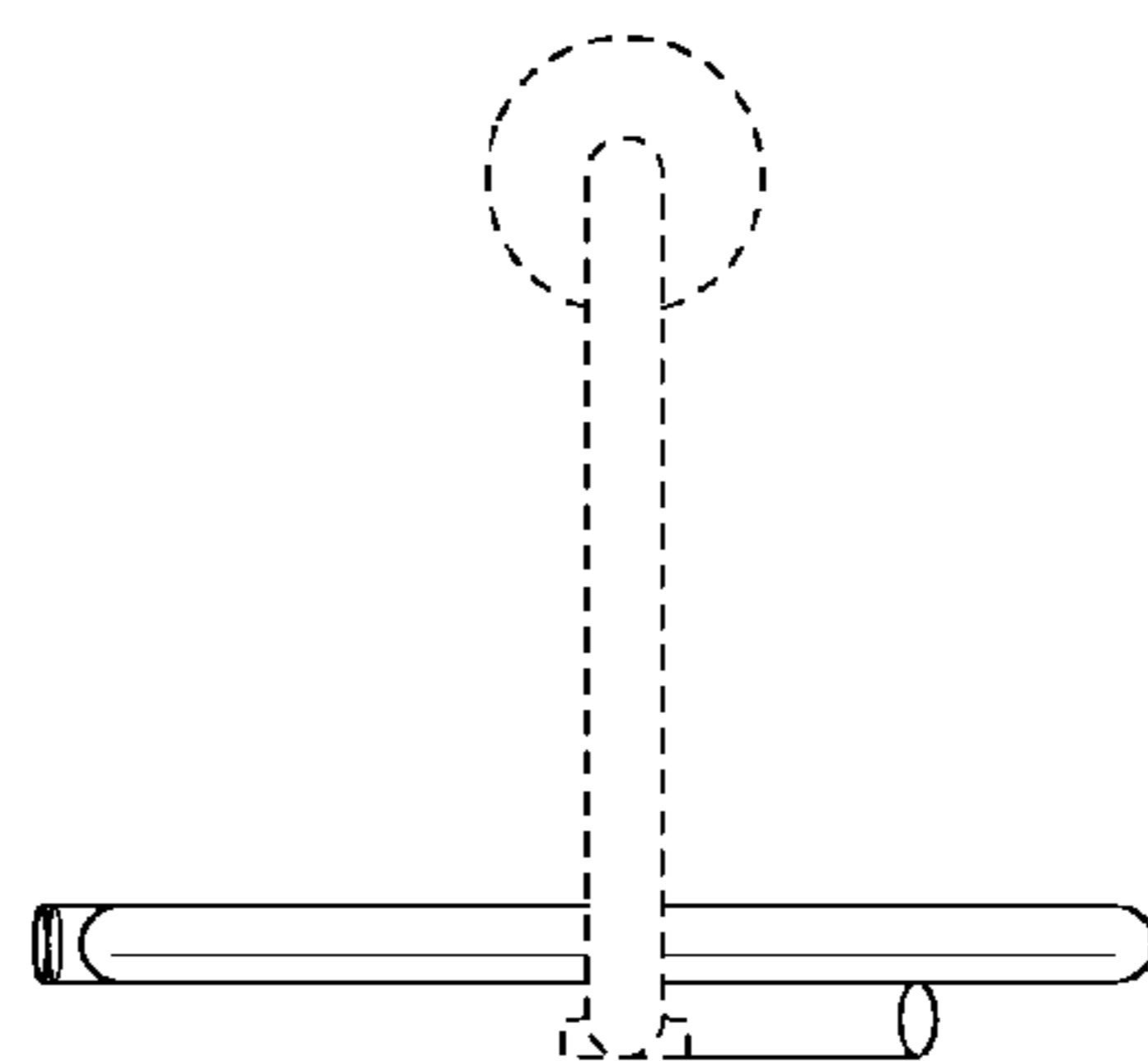


FIG. 5

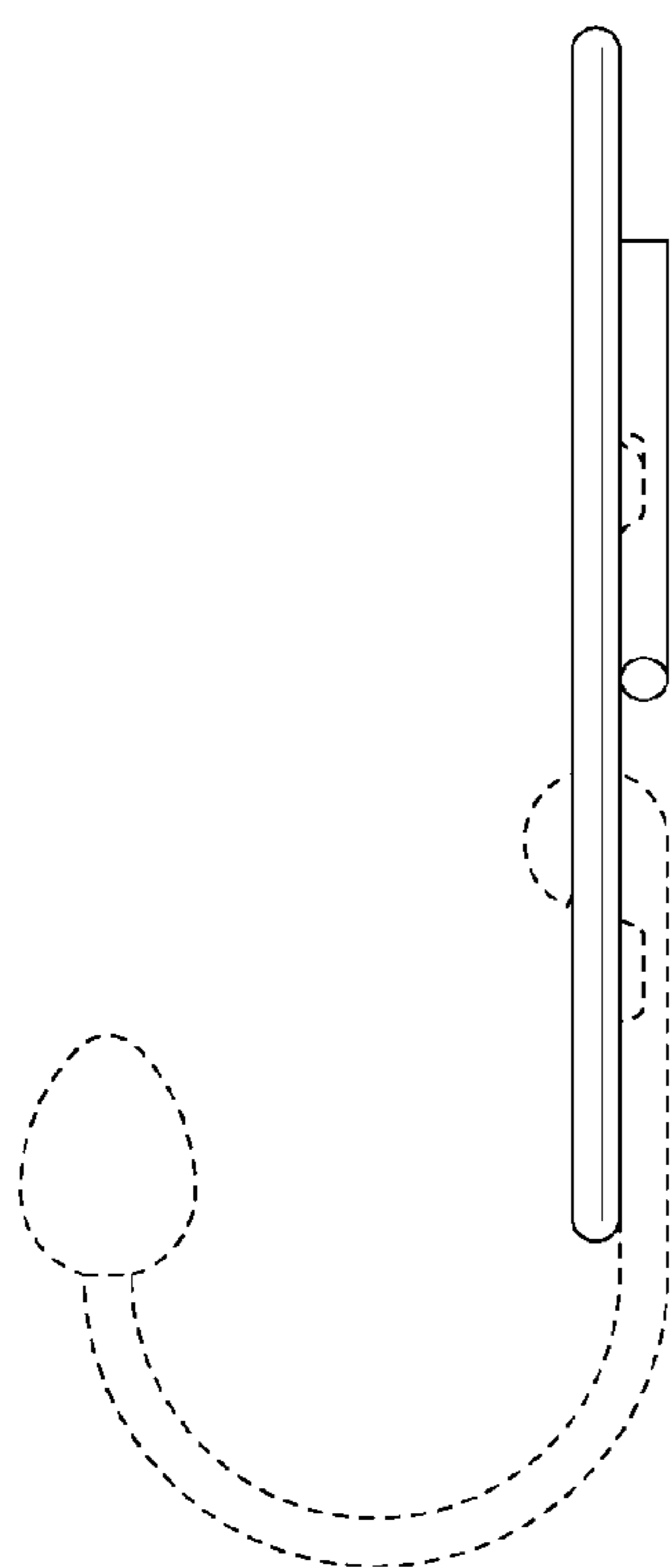


FIG. 6

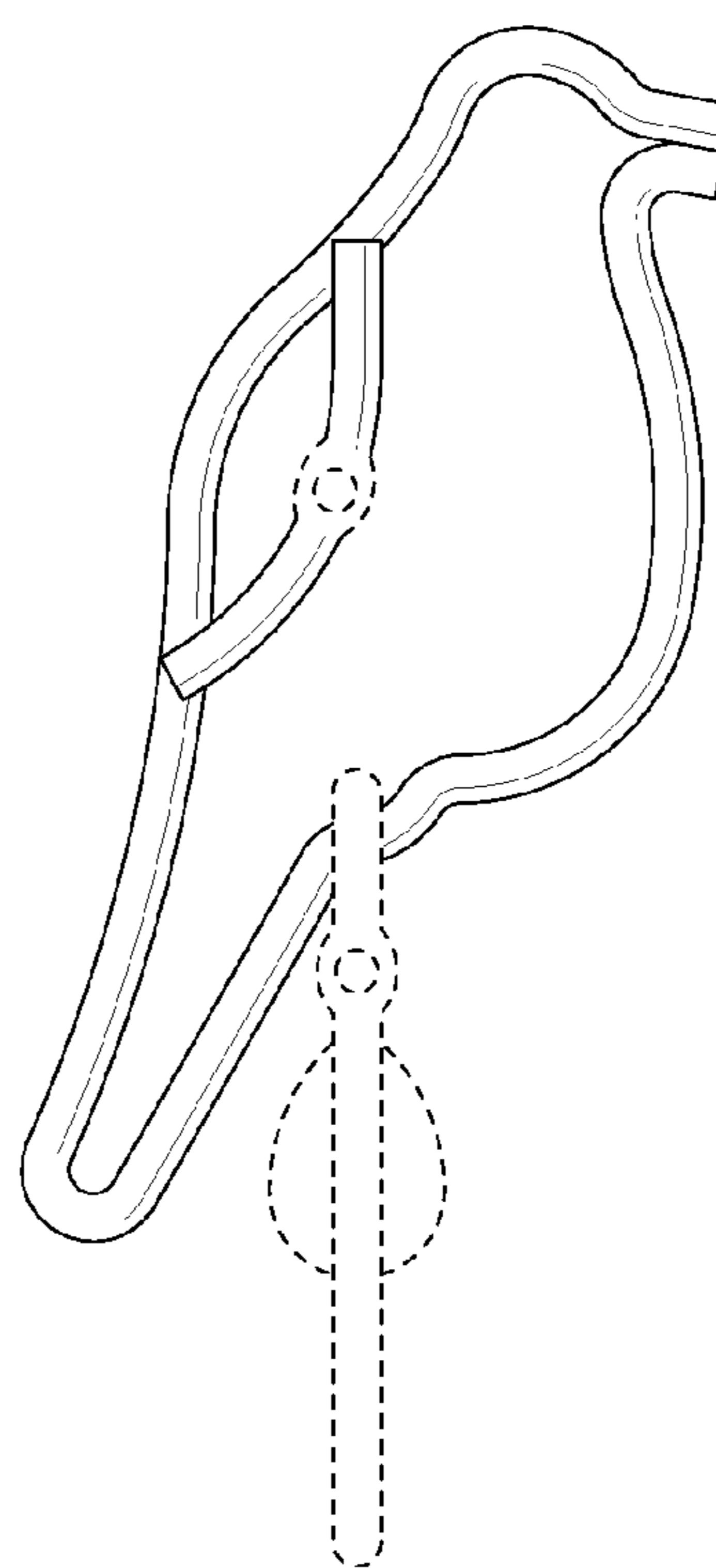


FIG. 7

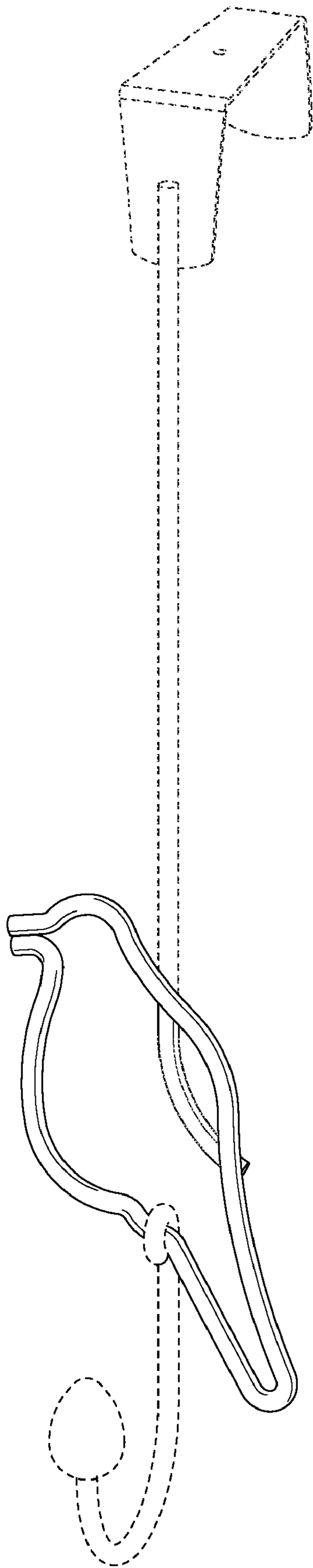


FIG. 8

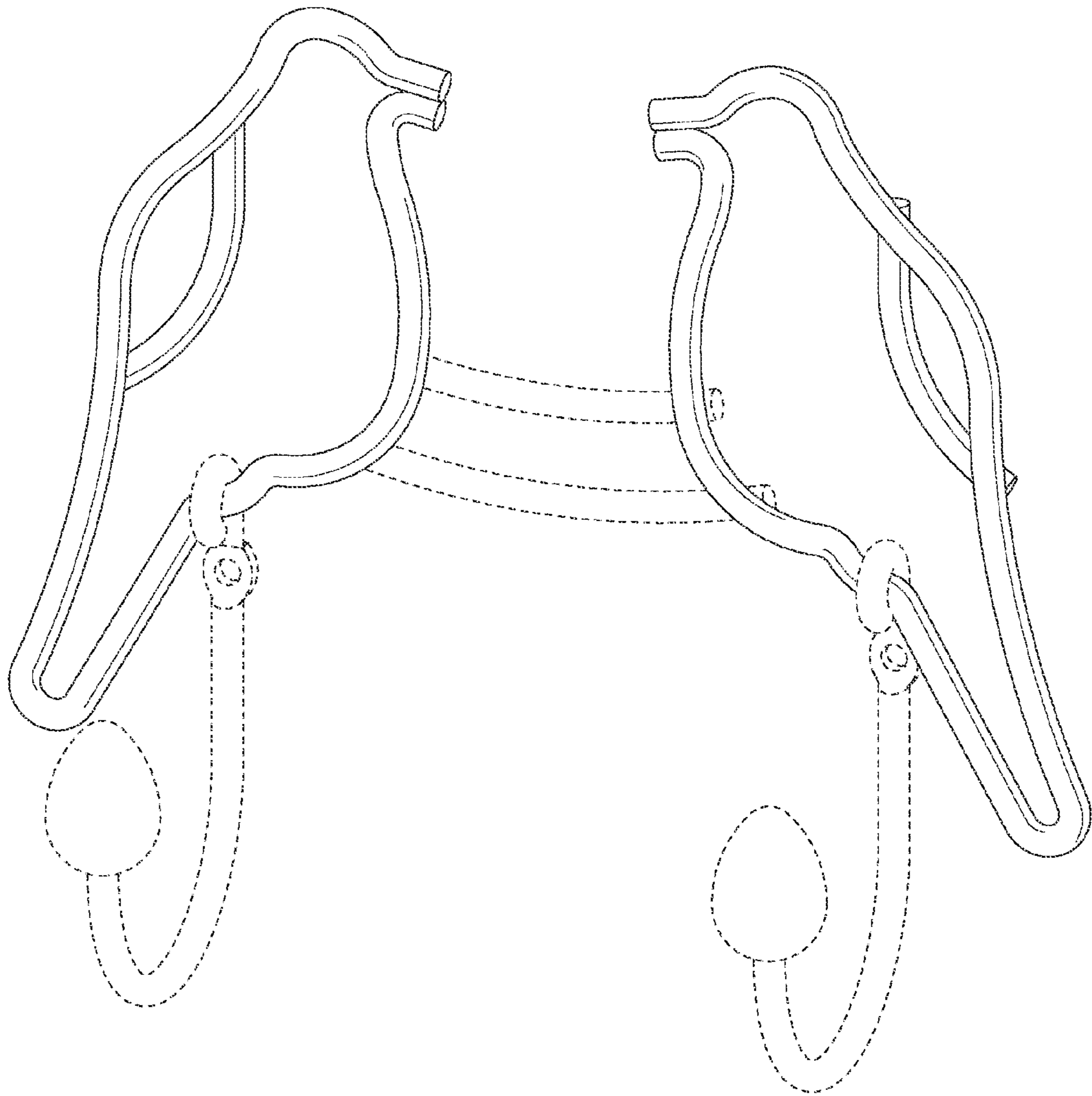


FIG. 9

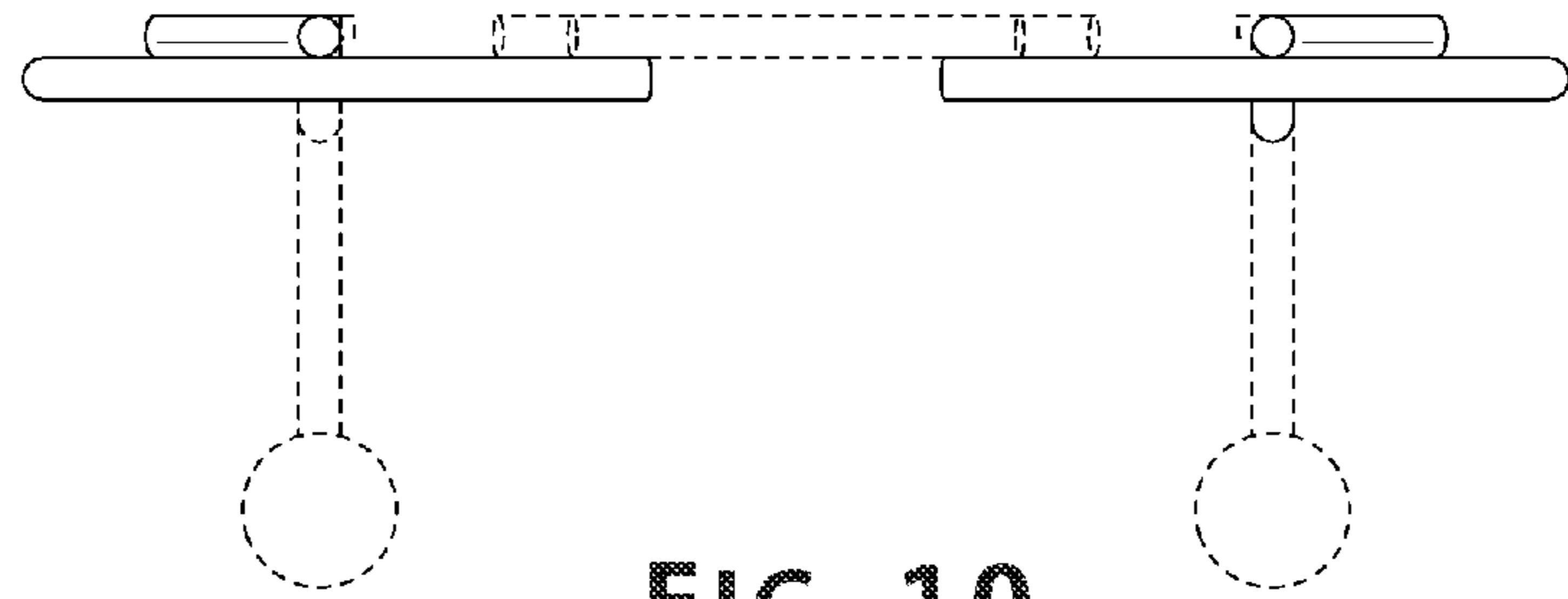


FIG. 10

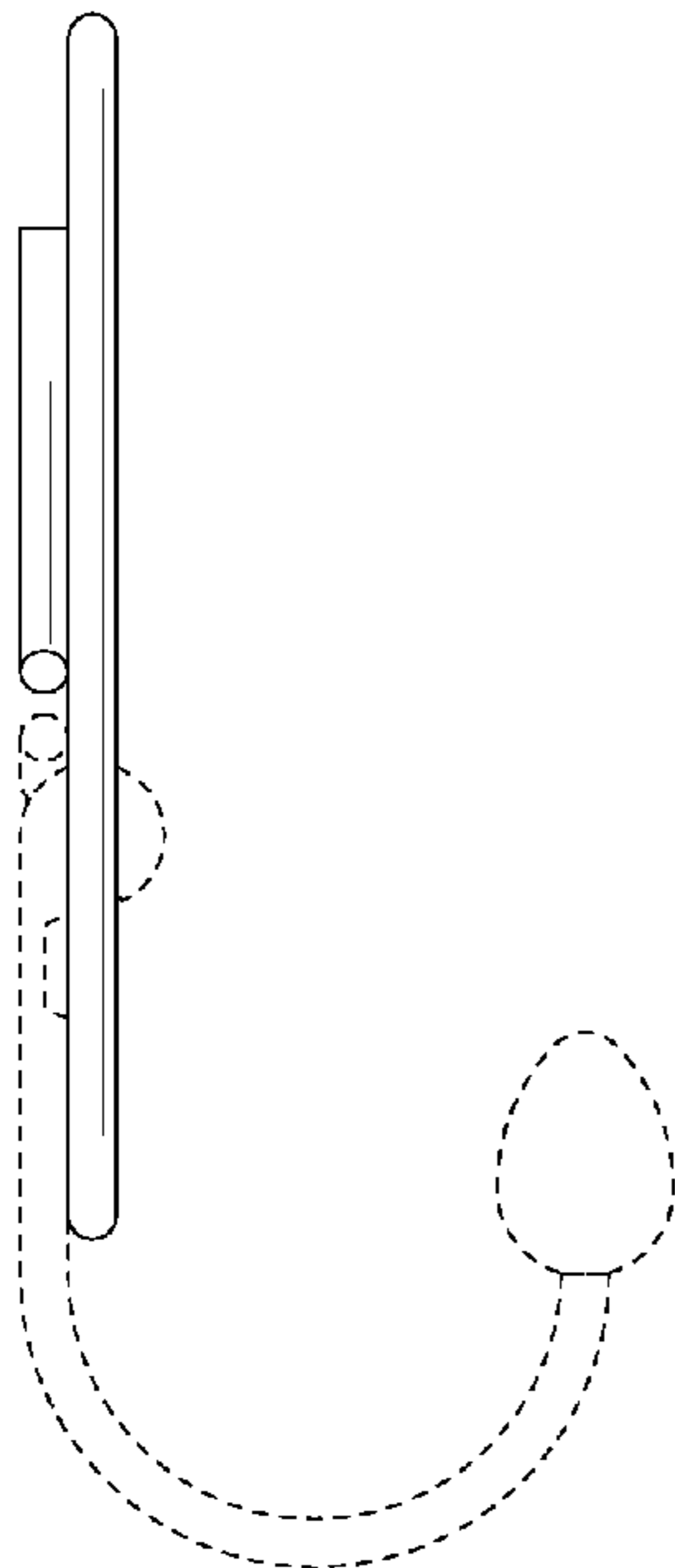


FIG. 11

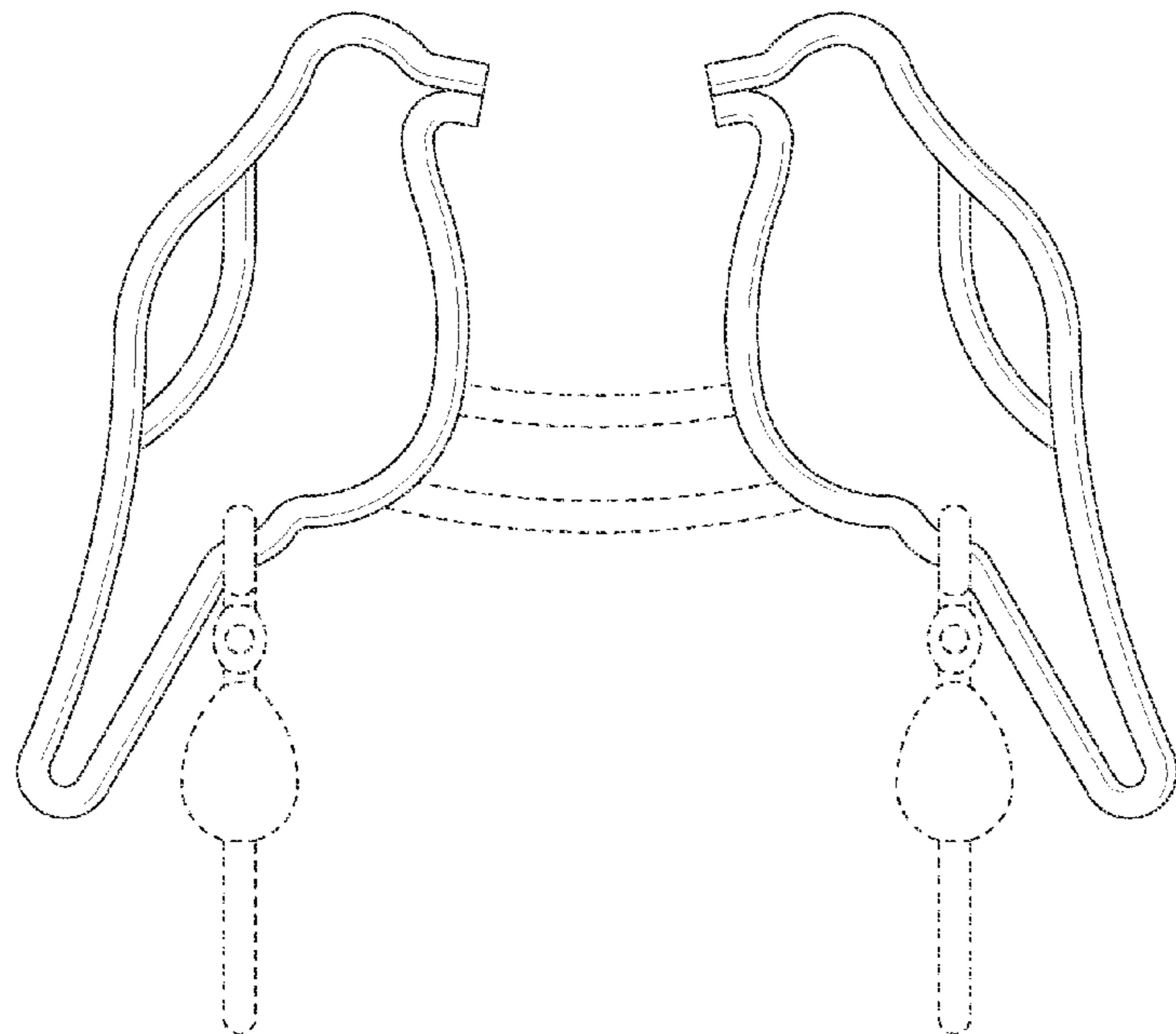


FIG. 12

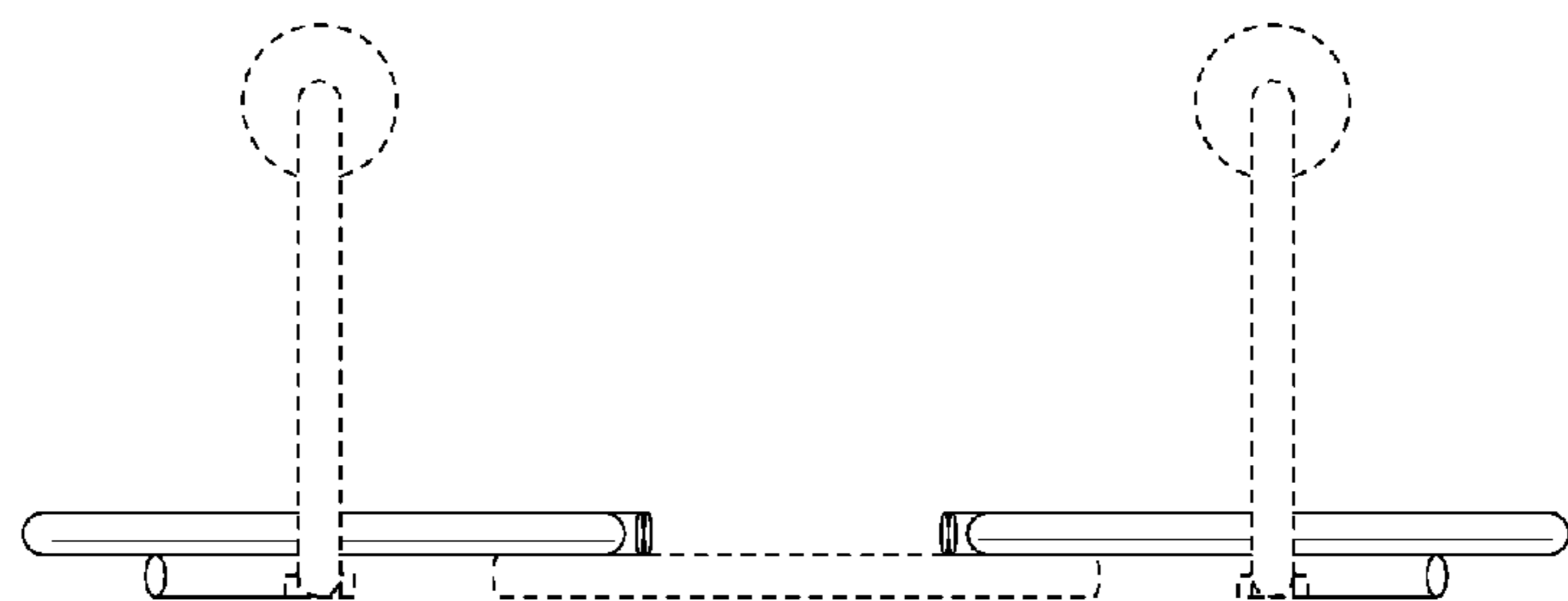


FIG. 13

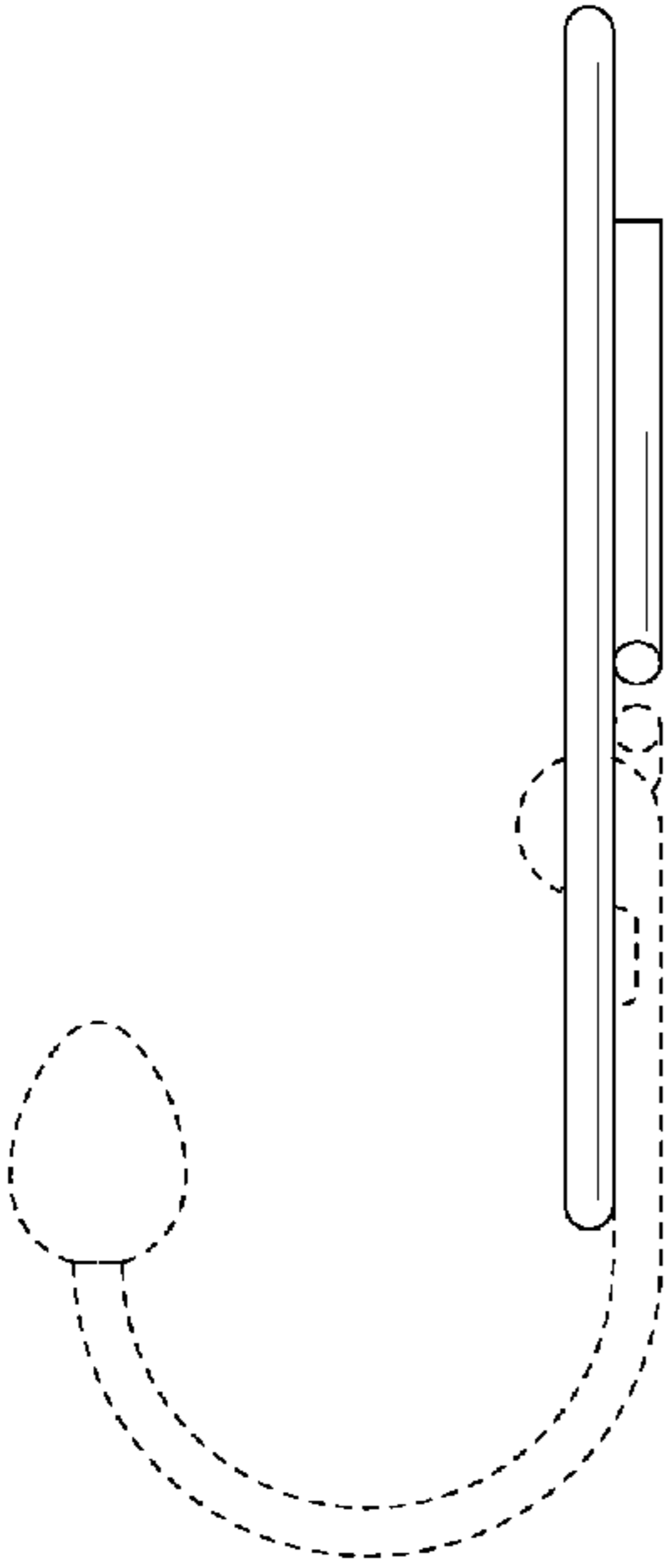


FIG. 14

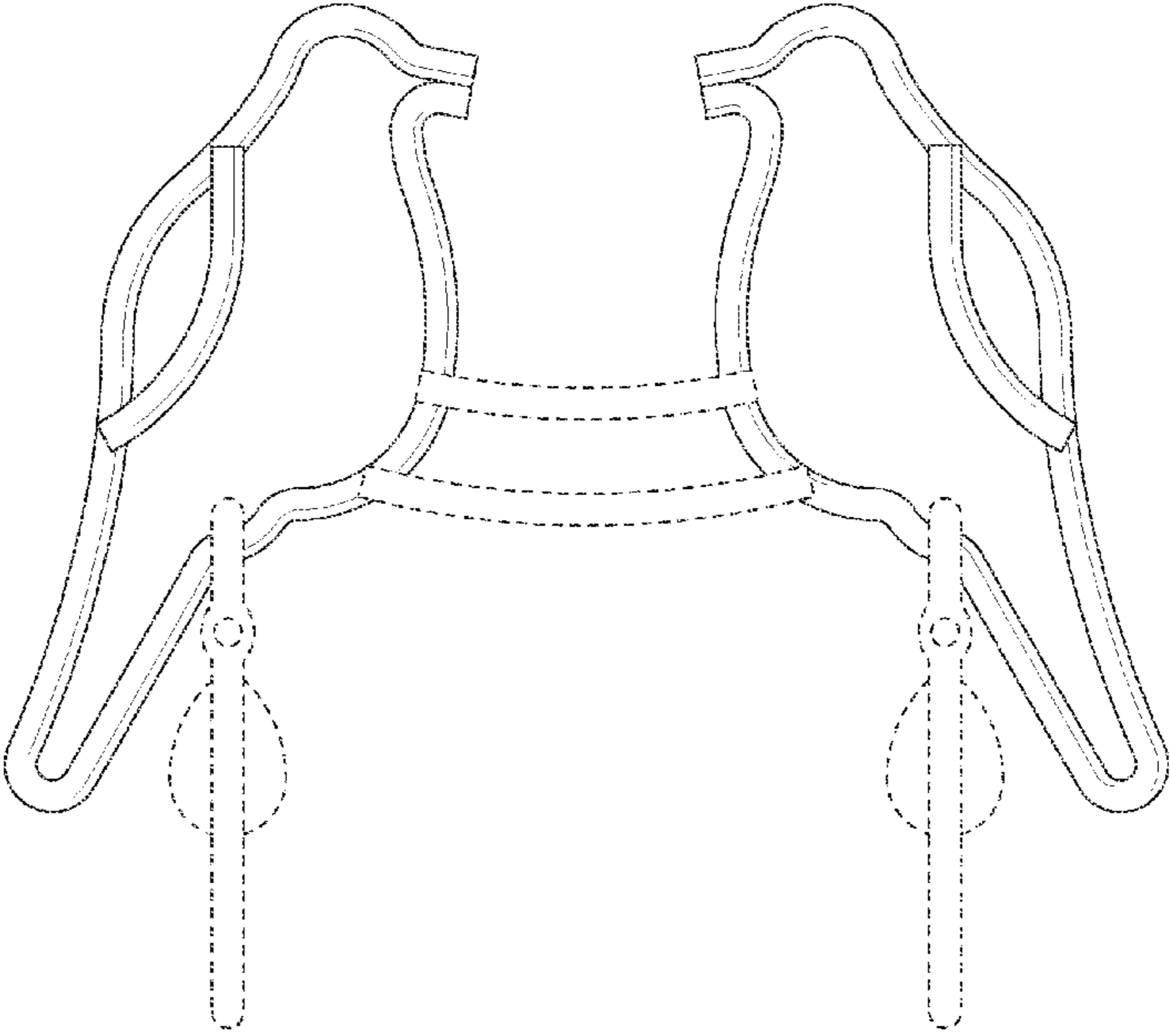


FIG. 15

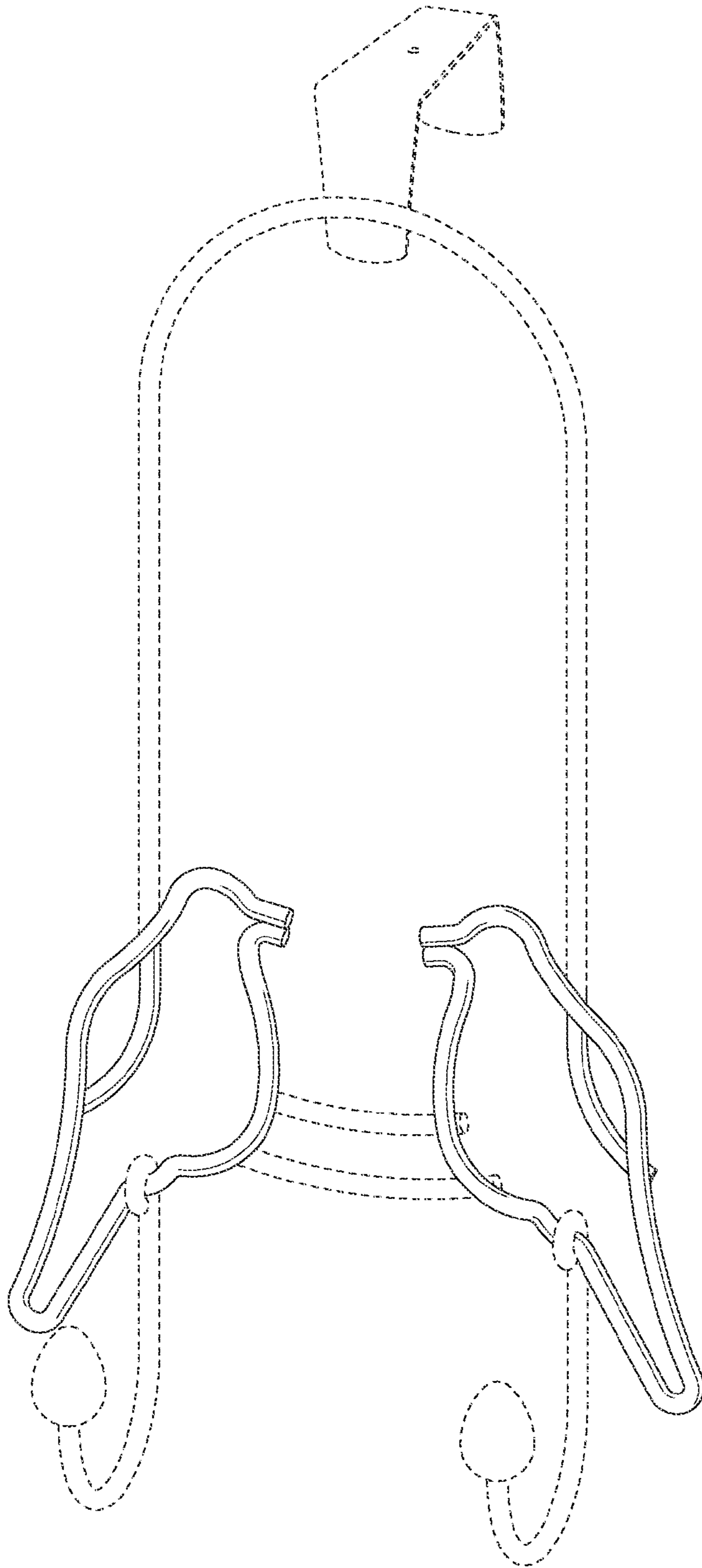


FIG. 16

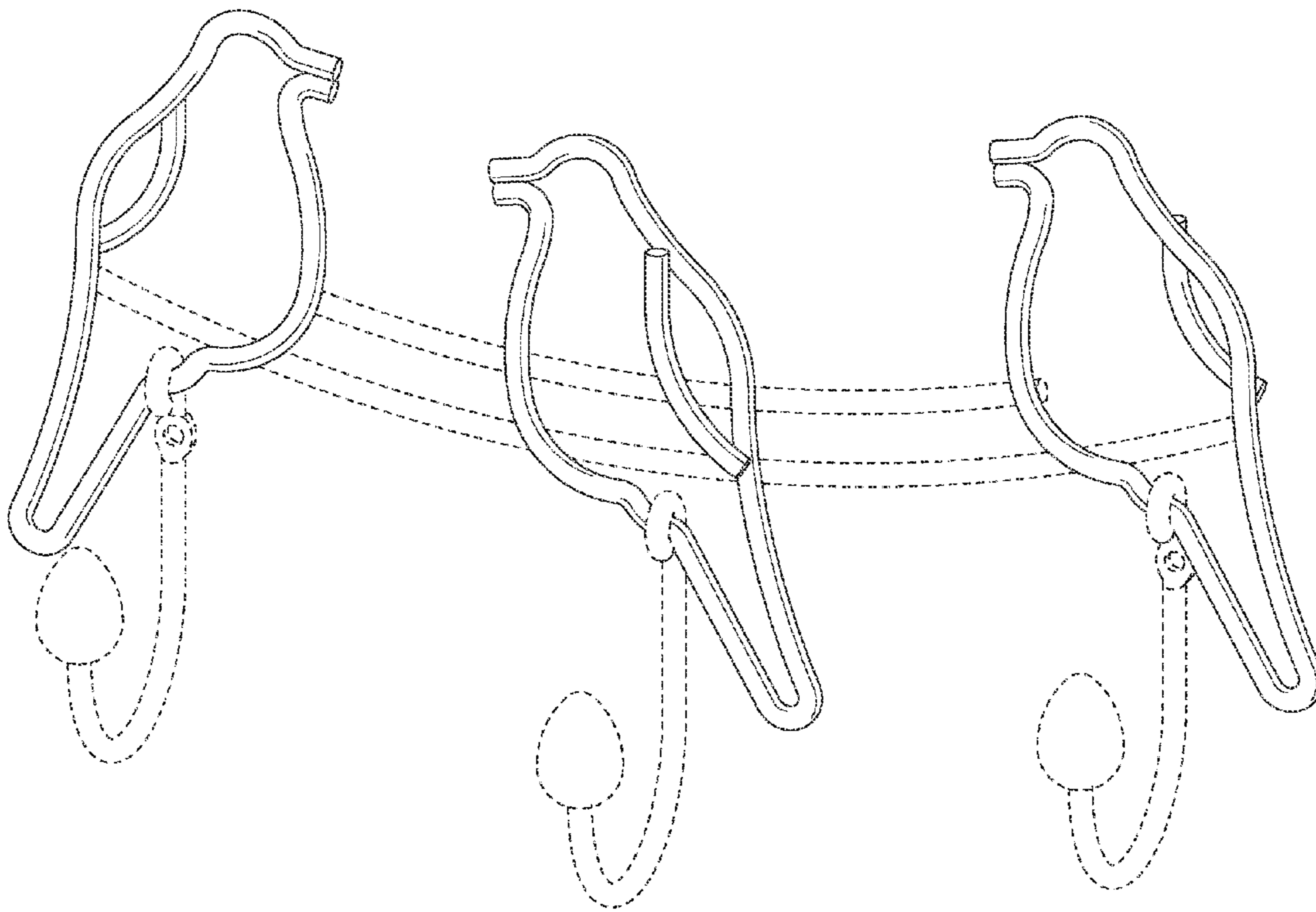


FIG. 17

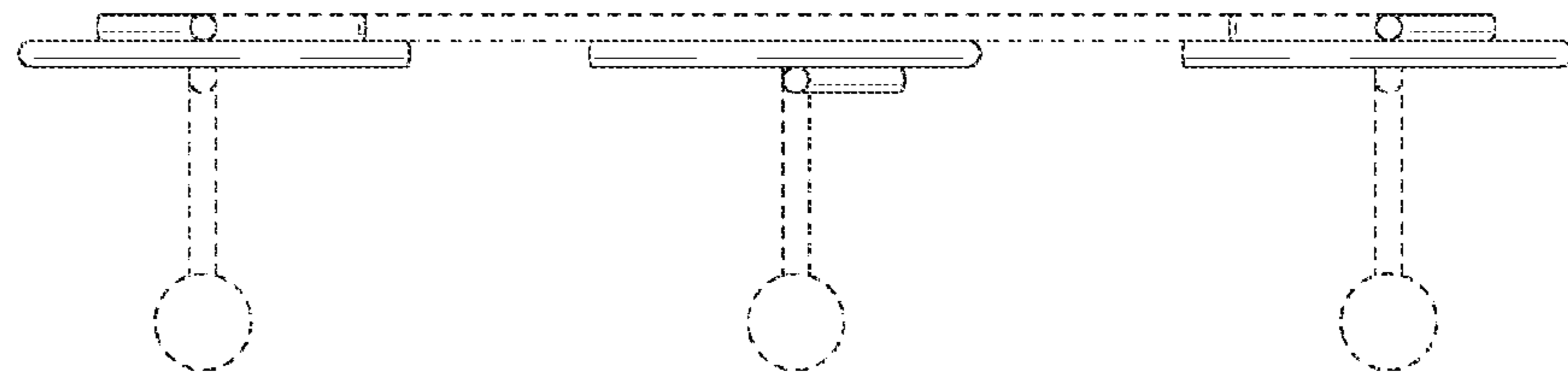


FIG. 18

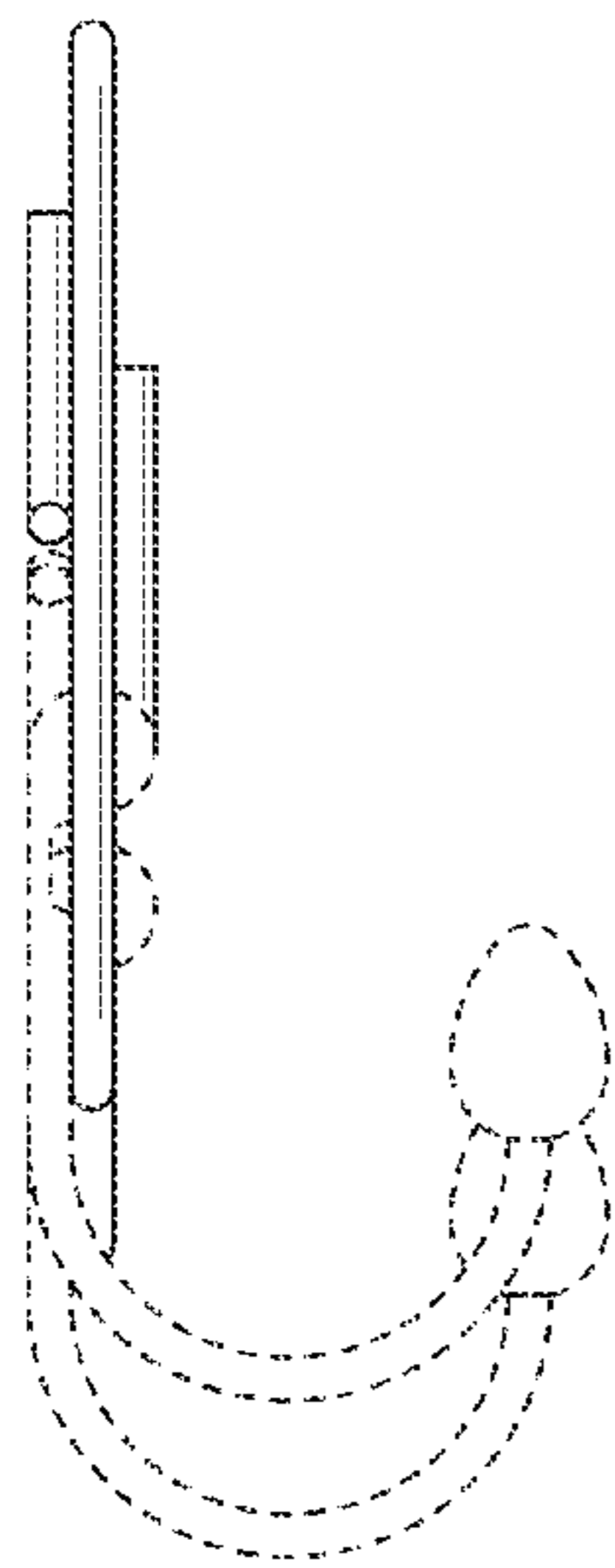


FIG. 19

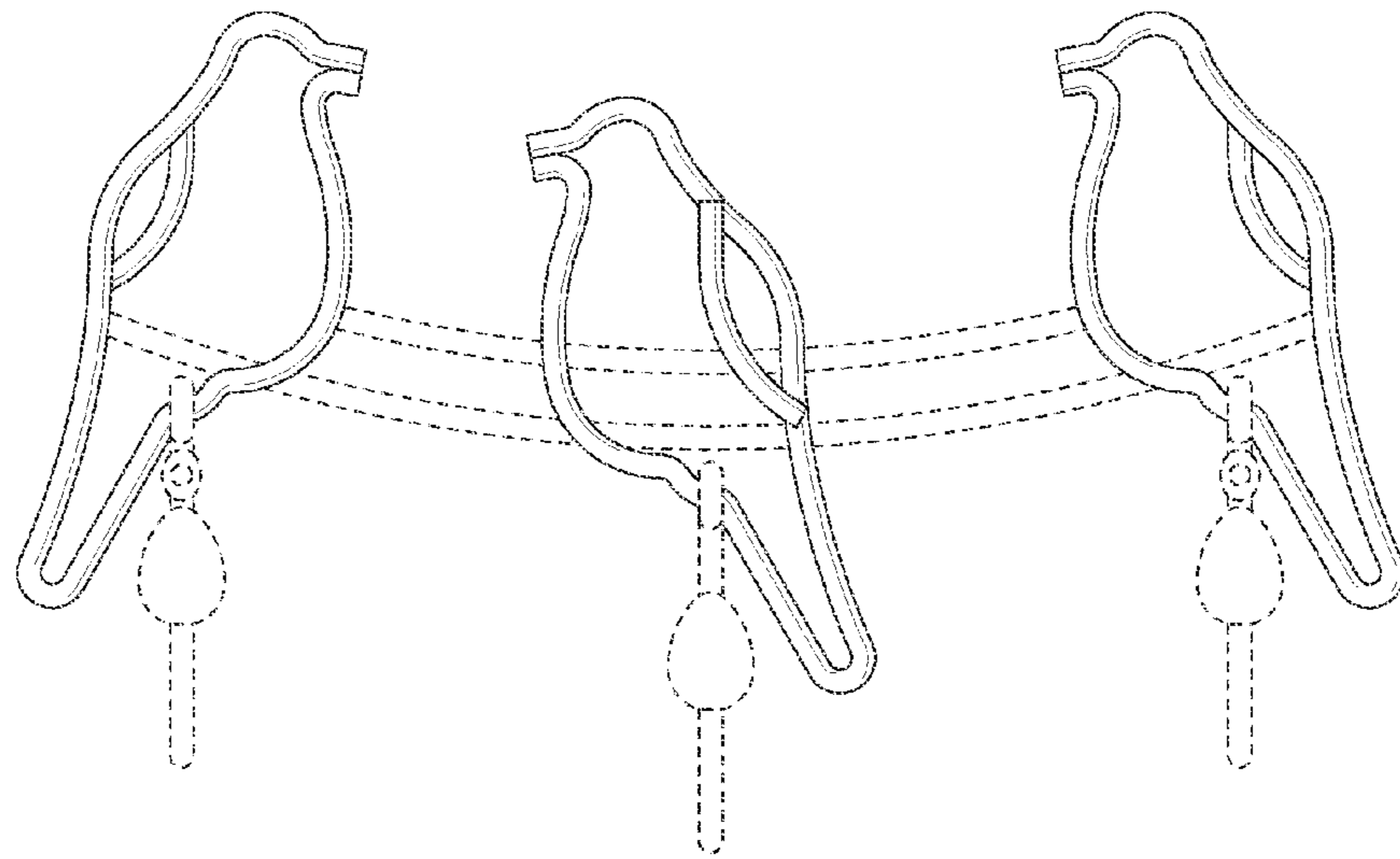


FIG. 20

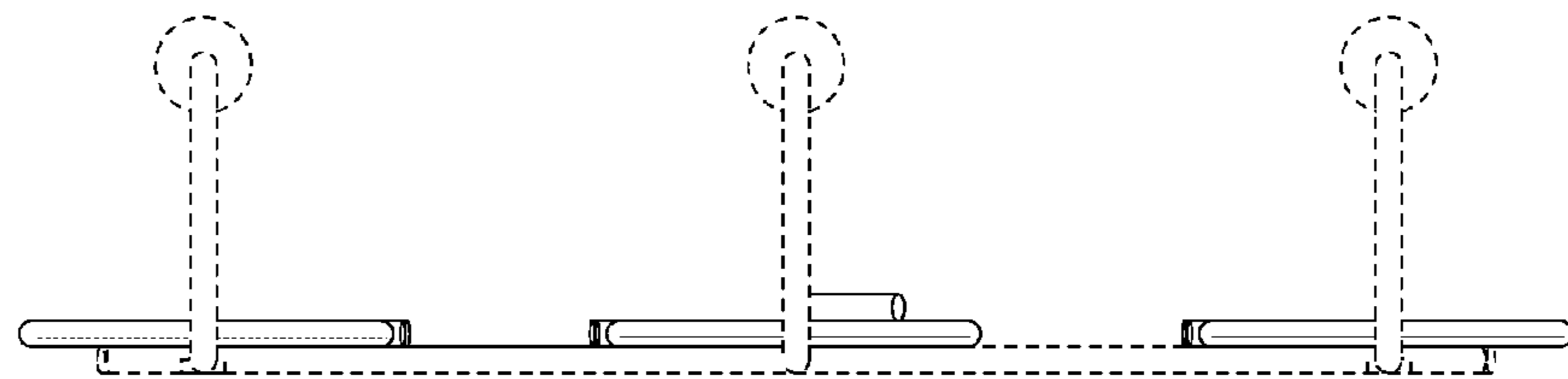


FIG. 21

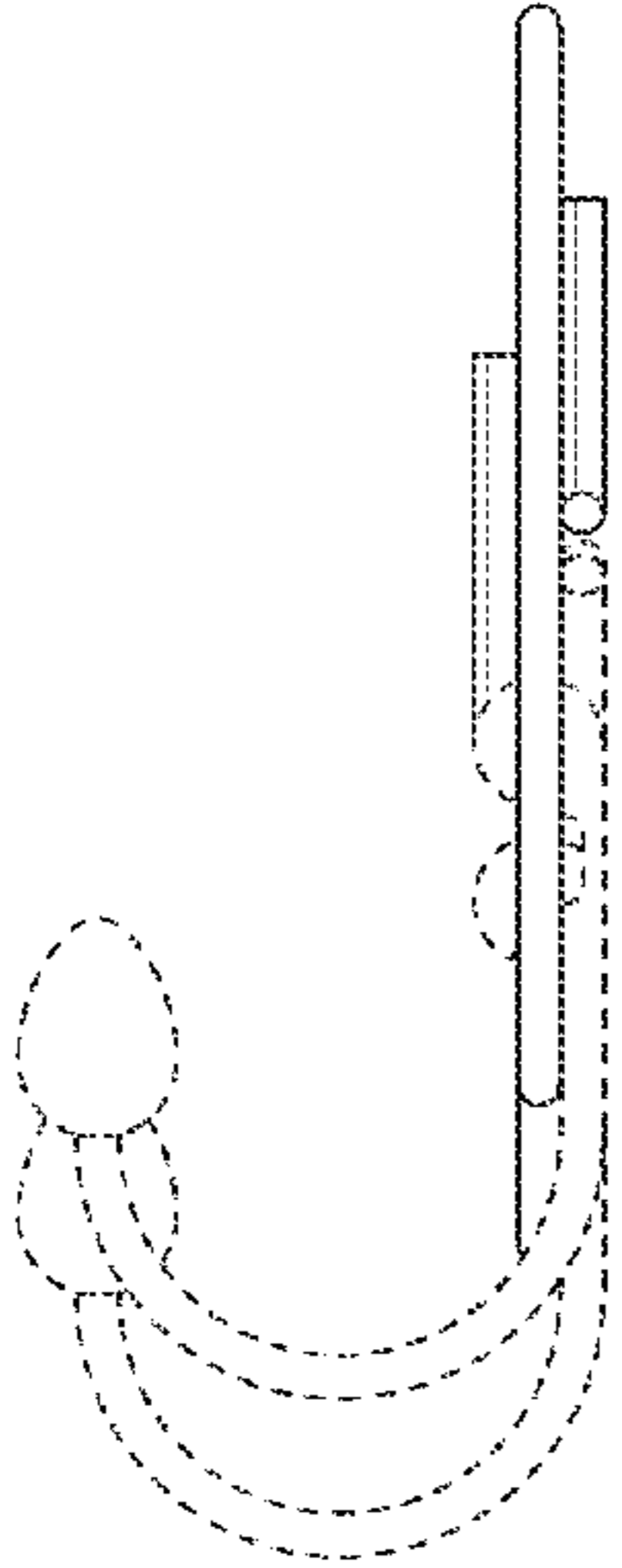


FIG. 22

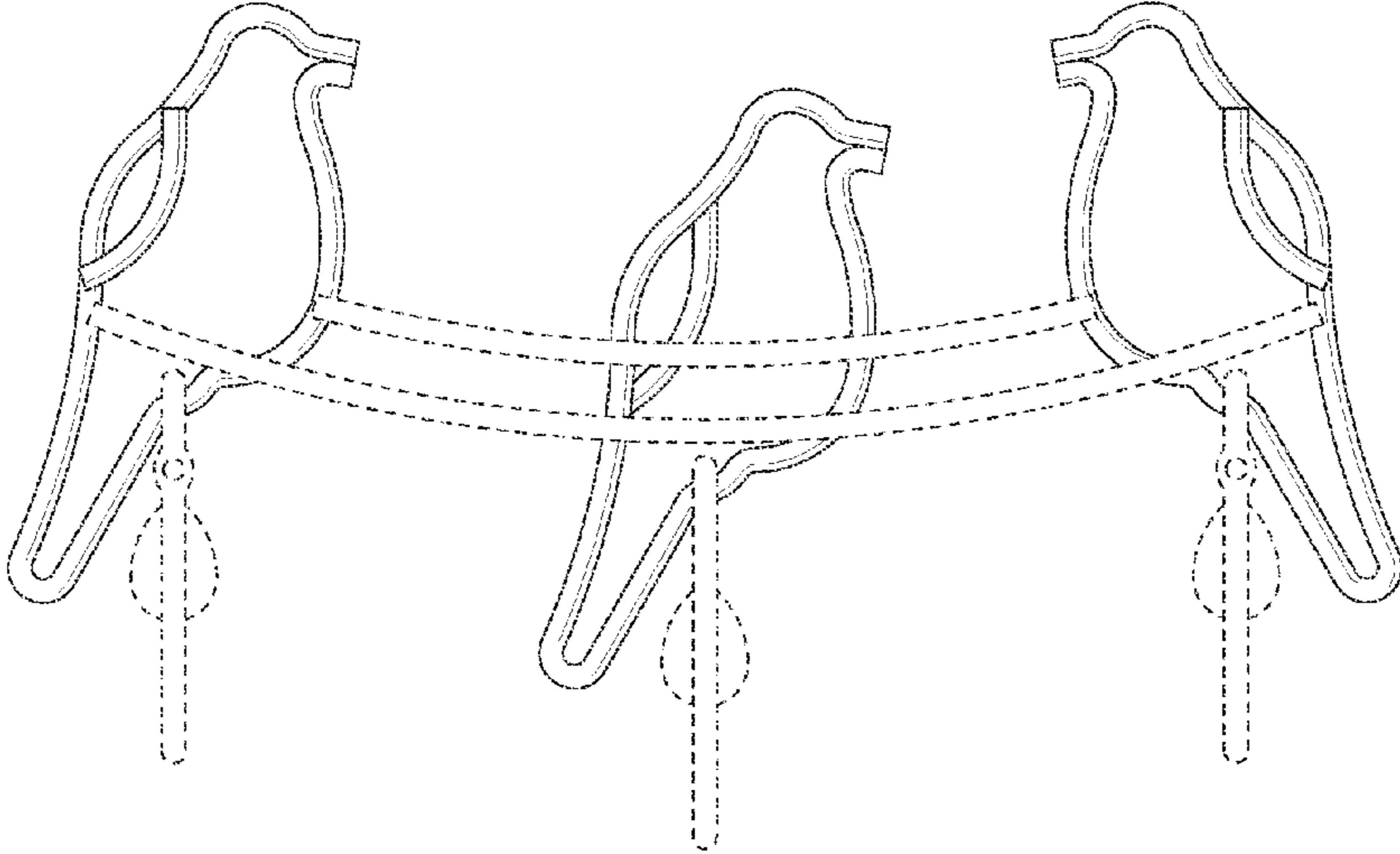


FIG. 23

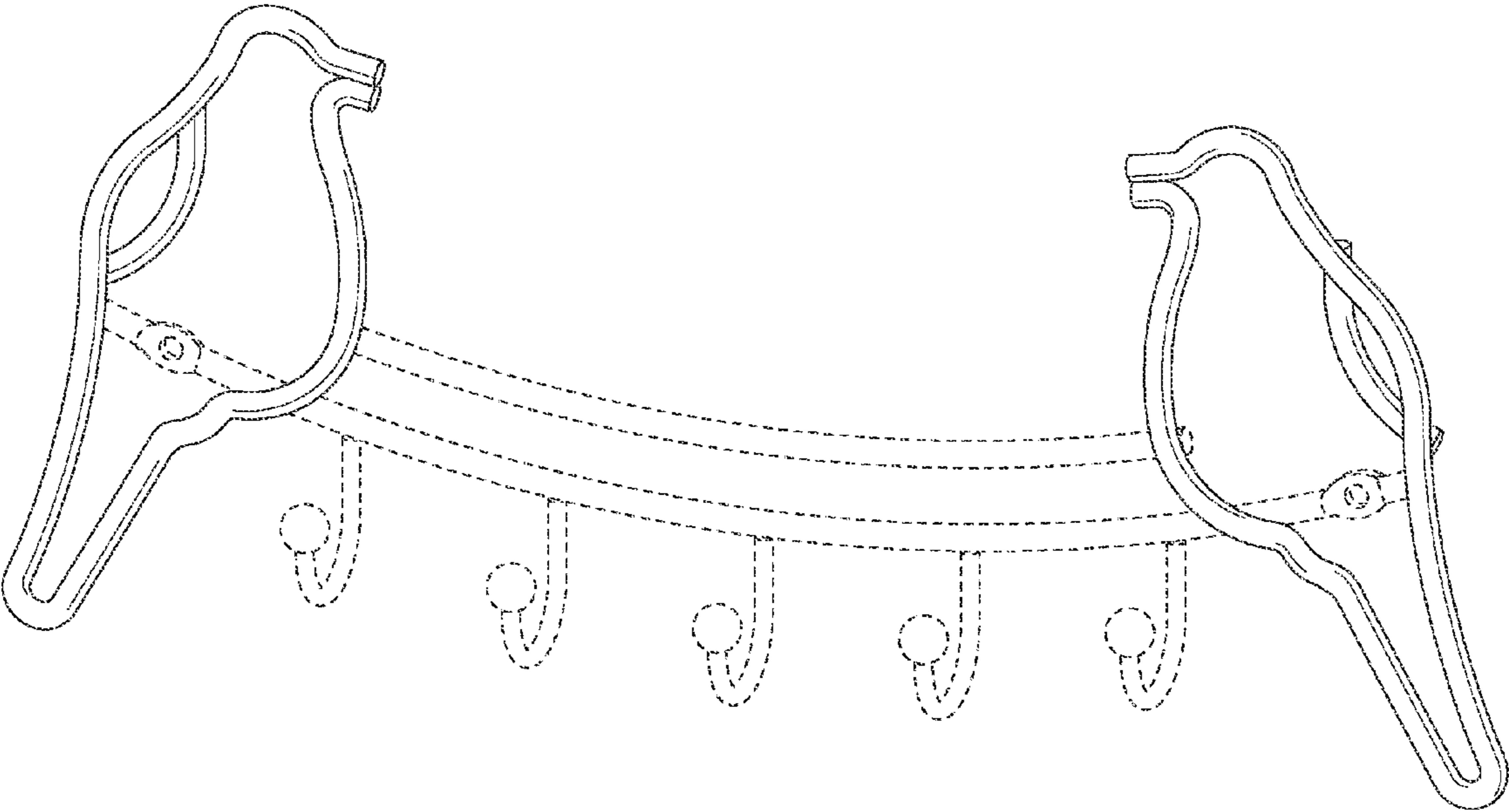


FIG. 24

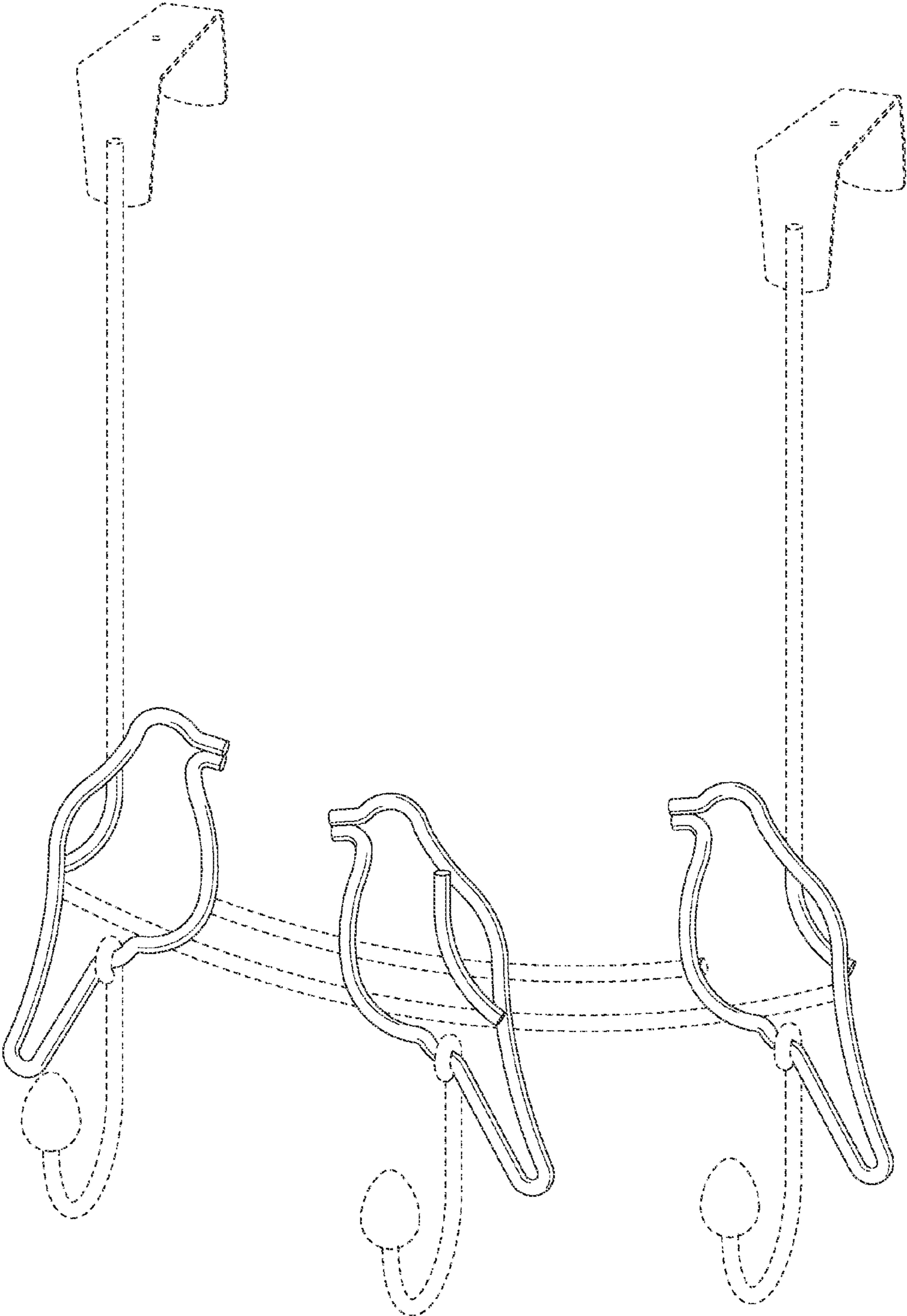


FIG. 25

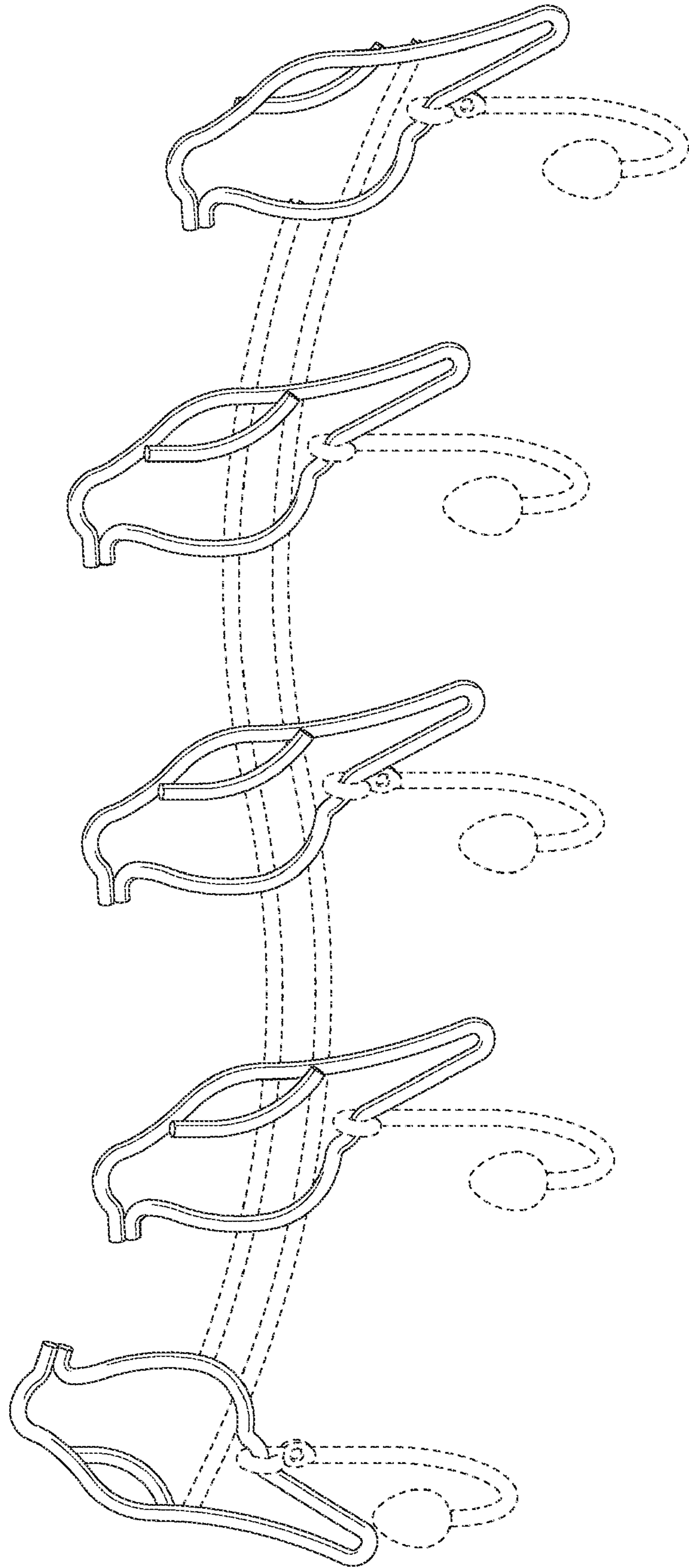


FIG. 26

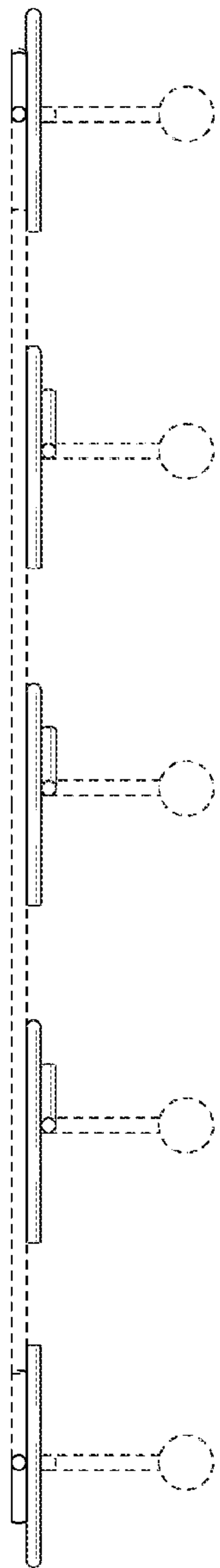


FIG. 27



FIG. 28

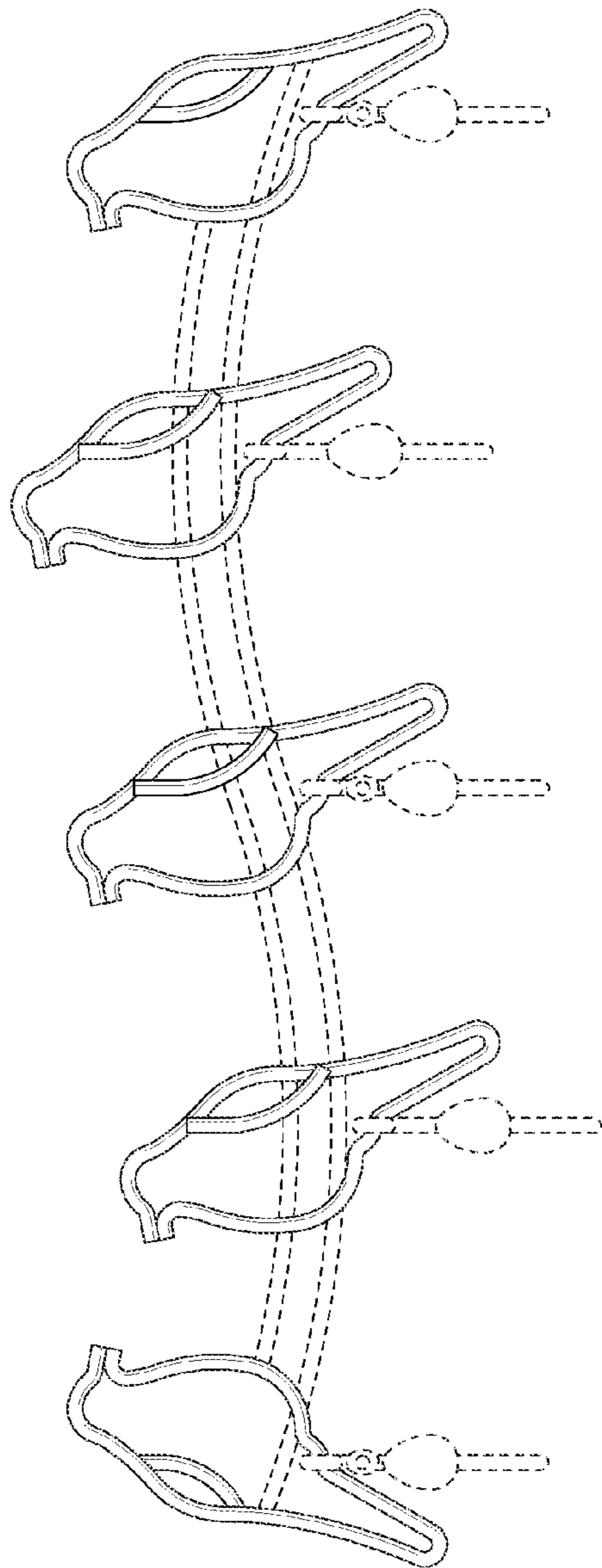


FIG. 29

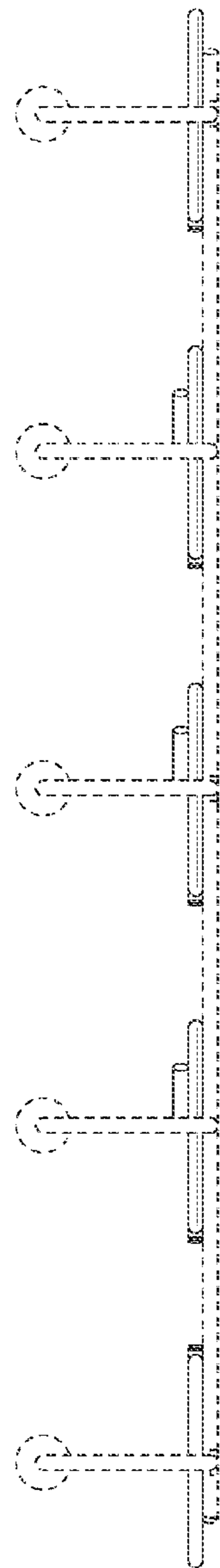


FIG. 30

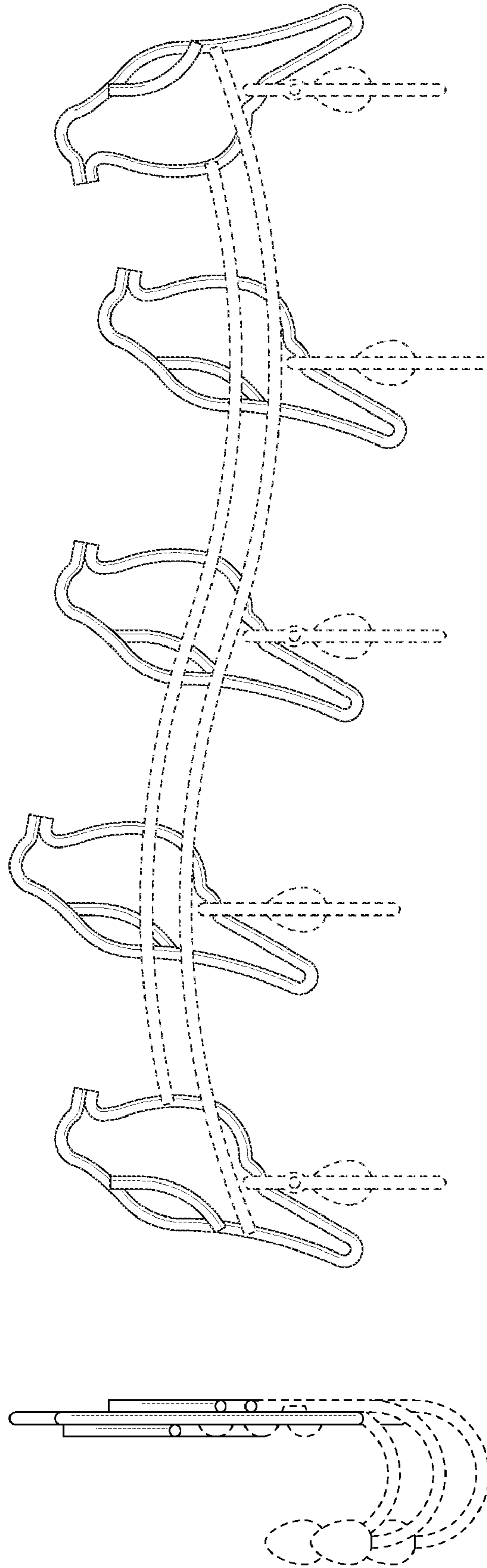


FIG. 31

FIG. 32

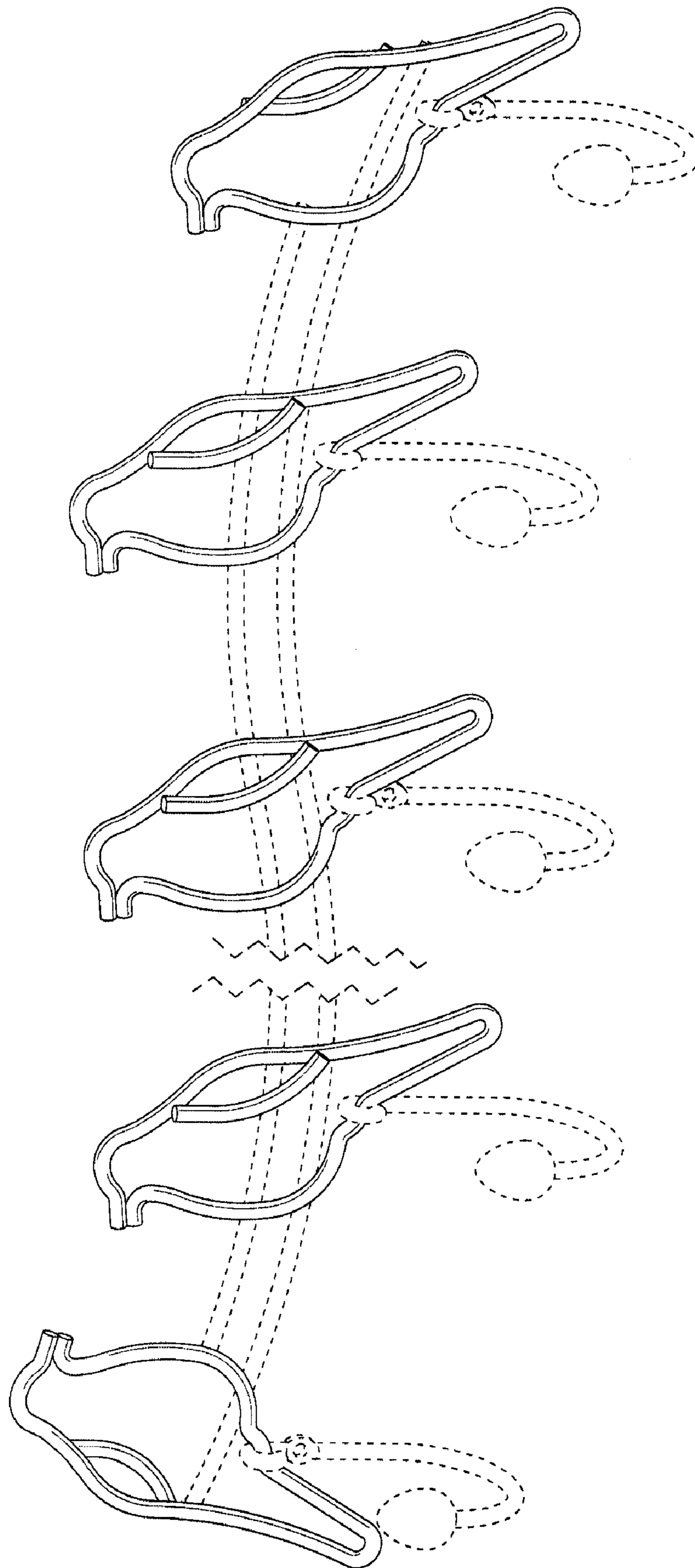


FIG. 33

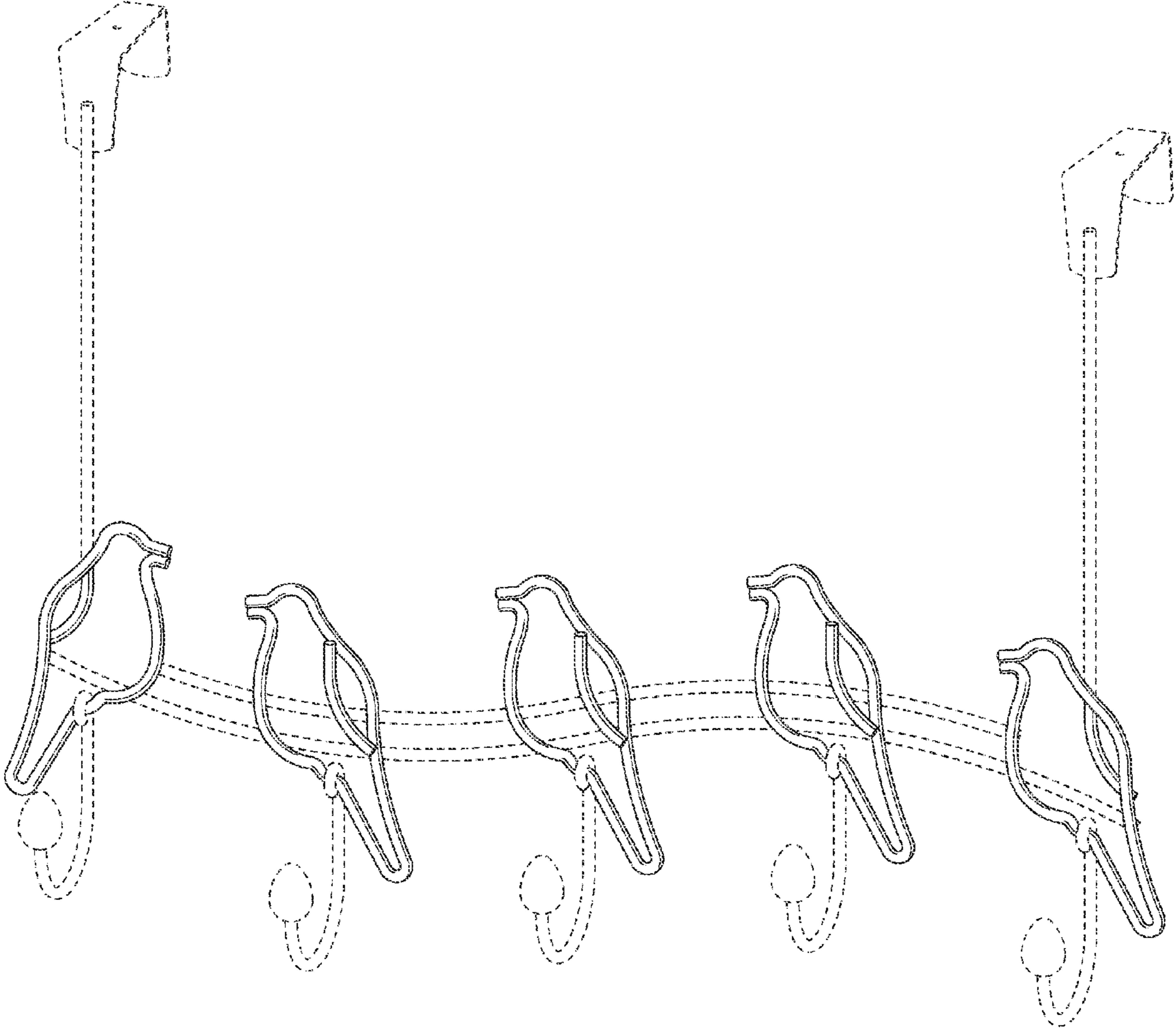


FIG. 34