



US00D648614S

(12) **United States Design Patent**
Koskela

(10) **Patent No.:** **US D648,614 S**

(45) **Date of Patent:** **** Nov. 15, 2011**

(54) **CABINET HANDLE**

(75) **Inventor:** **Lisa K. Koskela**, Grand Rapids, MI
(US)

(73) **Assignee:** **Belwith Products, LLC**, Grandville, MI
(US)

(**) **Term:** **14 Years**

(21) **Appl. No.:** **29/383,382**

(22) **Filed:** **Jan. 17, 2011**

(51) **LOC (9) Cl.** **08-06**

(52) **U.S. Cl.** **D8/316**

(58) **Field of Classification Search** D8/300,
D8/305, 315, 316, 317, 319, 320, DIG. 1,
D8/DIG. 2, DIG. 10; 16/110.1, 412, 424;
D23/250; 292/336.3; D99/11; D6/549;
D7/394

See application file for complete search history.

(56) **References Cited**

U.S. PATENT DOCUMENTS

D61,057 S *	6/1922	Walker	D8/316
D190,561 S *	6/1961	Morgan	D8/316
D197,052 S *	12/1963	Morgan	D8/317
D202,682 S *	10/1965	Goldman	D8/317
D246,426 S *	11/1977	Ridgway et al.	D8/318
D333,968 S *	3/1993	Mattson et al.	D8/317
D361,496 S *	8/1995	Chieda	D8/317
D369,289 S *	4/1996	Caugh et al.	D8/317
D411,794 S *	7/1999	O'Neil	D8/305

D437,202 S *	2/2001	O'Neil	D8/317
D437,729 S *	2/2001	Rae	D7/394
D463,210 S *	9/2002	Coudurier	D7/394
D542,118 S *	5/2007	Fields	D8/317
D575,621 S *	8/2008	Matijevic	D8/315
D579,753 S *	11/2008	Mattson et al.	D8/316
D592,449 S *	5/2009	Rae	D7/394
D596,918 S *	7/2009	Menzies	D8/315
D611,797 S *	3/2010	Koskela	D8/316
D613,576 S *	4/2010	Matijevic	D8/315
D629,668 S *	12/2010	Mattson	D8/315
D642,446 S *	8/2011	Roe et al.	D8/320
D643,277 S *	8/2011	Roe et al.	D8/317

* cited by examiner

Primary Examiner — Paula Greene

(74) *Attorney, Agent, or Firm* — Vangelis Economou;
Economou IP Law

(57) **CLAIM**

The ornamental design for a cabinet handle, as shown and described.

DESCRIPTION

FIG. 1 is a perspective view of the cabinet handle showing my new design;

FIG. 2 is a reduced front elevation view thereof;

FIG. 3 is a back elevational view thereof;

FIG. 4 is a right side view thereof;

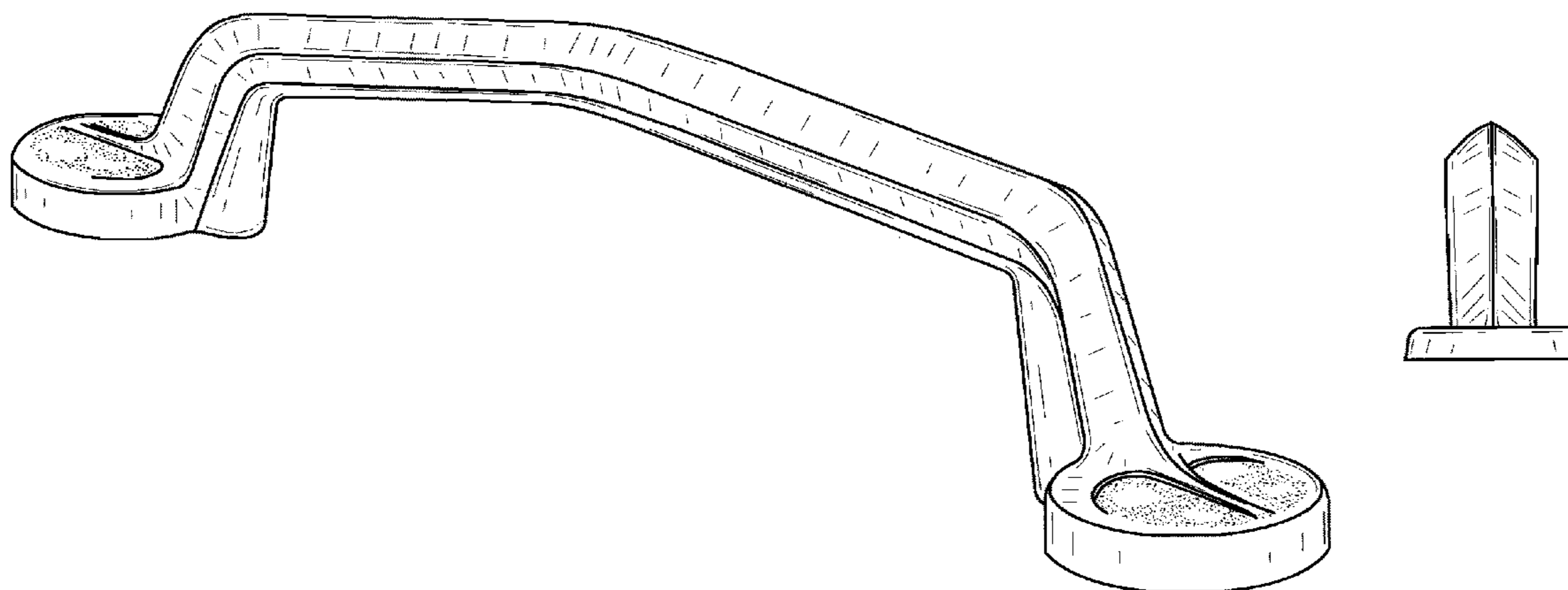
FIG. 5 is a left side view thereof;

FIG. 6 is a top view thereof; and,

FIG. 7 is a bottom view thereof.

The broken lines form no part of the claimed design.

1 Claim, 3 Drawing Sheets



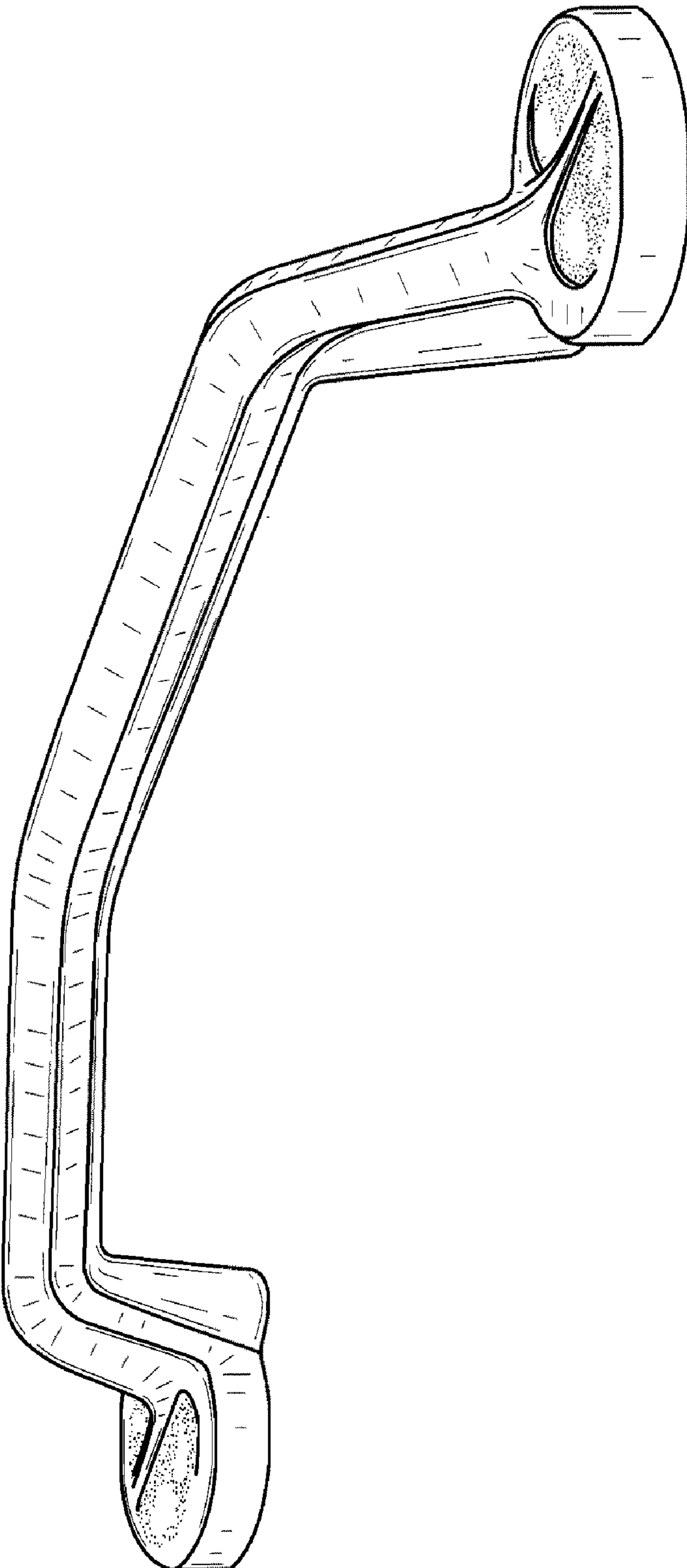


FIG. 1



FIG. 2



FIG. 3

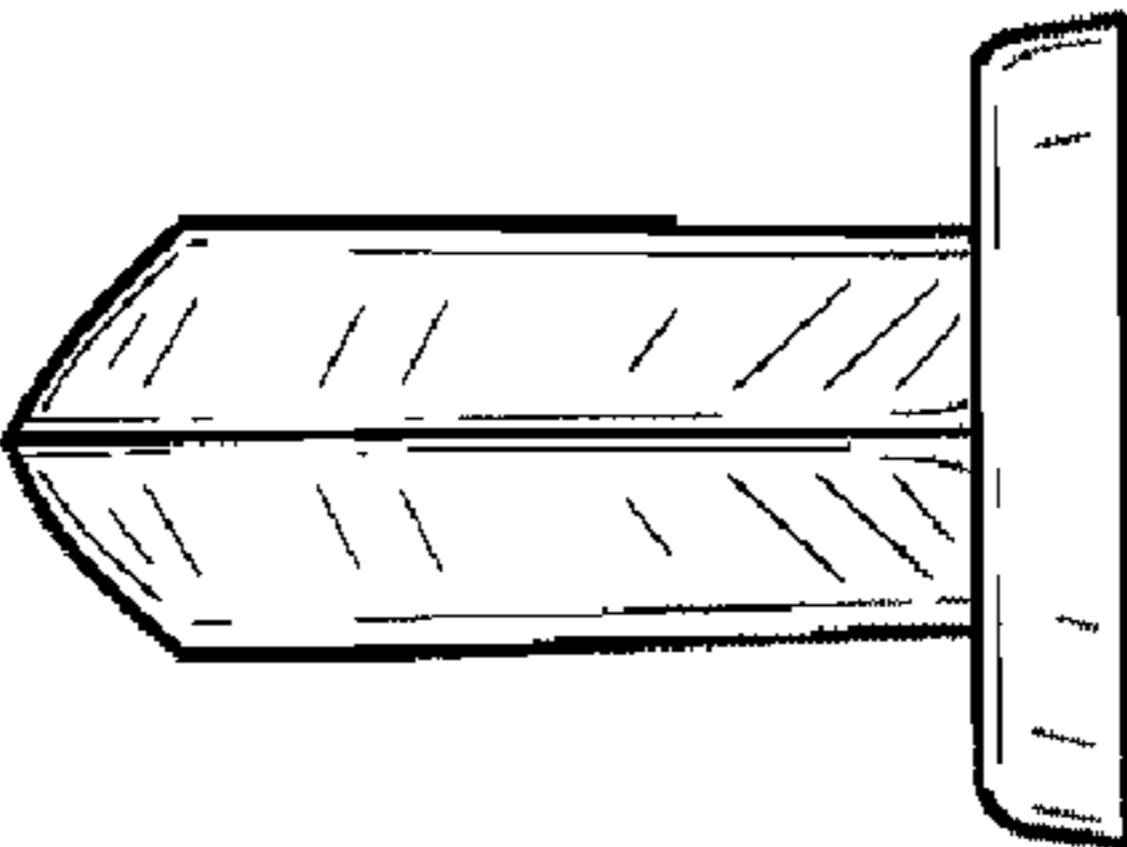


FIG. 4

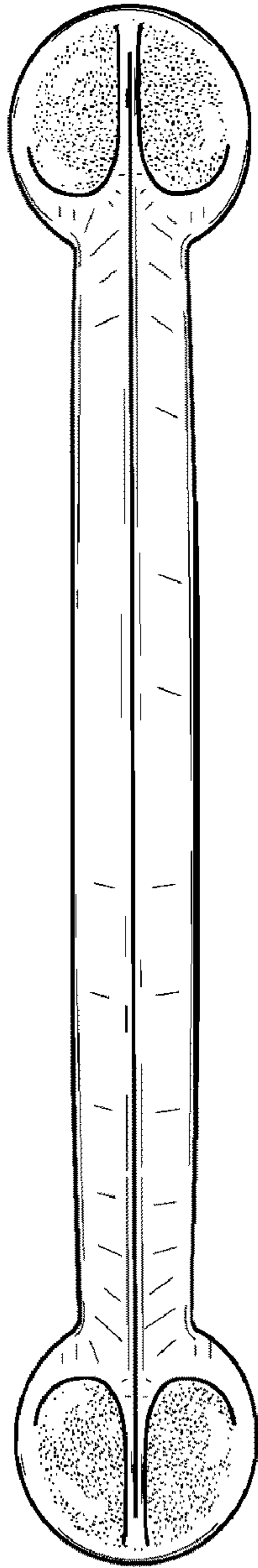


FIG. 6



FIG. 7

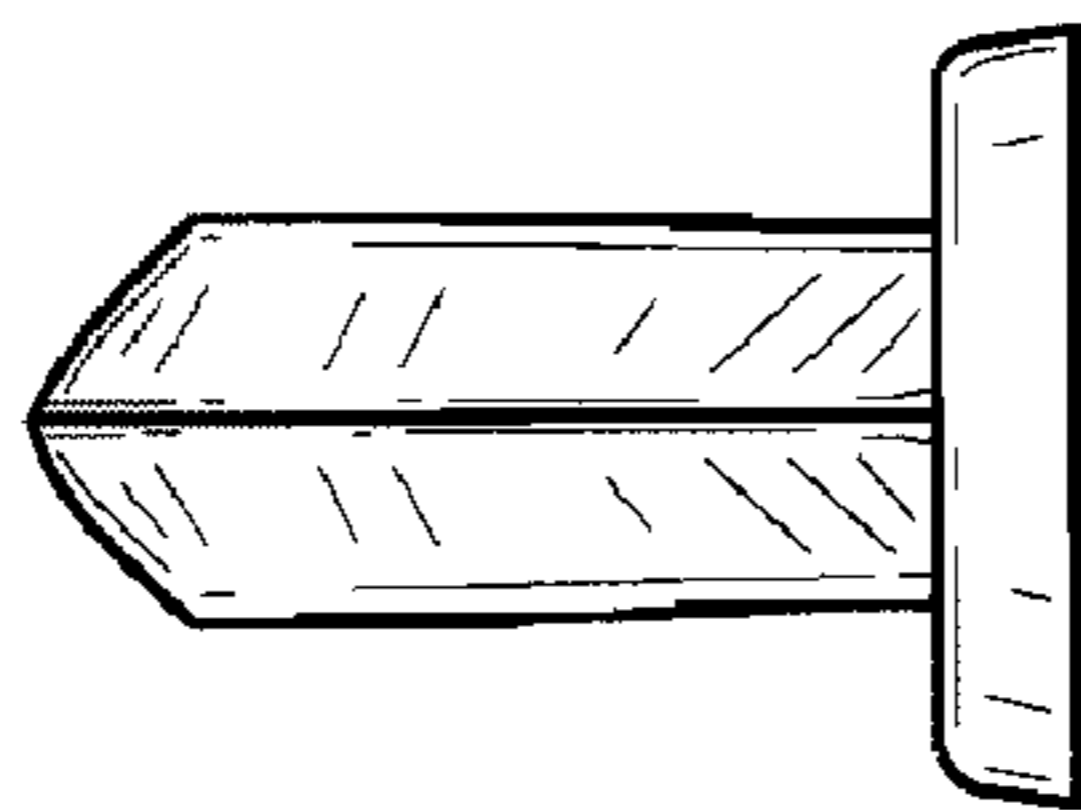


FIG. 5