



US00D648612S

(12) **United States Design Patent**
Mattson

(10) **Patent No.:** **US D648,612 S**

(45) **Date of Patent:** **** Nov. 15, 2011**

(54) **CABINET KNOB**

(75) Inventor: **Deborah D. Mattson**, Plainwell, MI
(US)

(73) Assignee: **Belwith Products, LLC**, Grandville, MI
(US)

(**) Term: **14 Years**

(21) Appl. No.: **29/383,644**

(22) Filed: **Jan. 20, 2011**

(51) **LOC (9) Cl.** **08-06**

(52) **U.S. Cl.** **D8/310**

(58) **Field of Classification Search** D8/300,
D8/305, 310, 322, DIG. 1, DIG. 2; D23/250;
D7/393, 396; D11/95; 16/110.1, 414, 415;
292/336.3

See application file for complete search history.

(56) **References Cited**

U.S. PATENT DOCUMENTS

D192,179 S *	2/1962	Aleks	D8/310
D197,960 S *	4/1964	Heyer	D8/307
D201,123 S *	5/1965	Clayton	D8/310
D204,742 S *	5/1966	Aleks	D8/310
D204,931 S *	5/1966	Clayton	D8/310
D204,977 S *	6/1966	Loeb	D8/310

D205,612 S *	8/1966	Bottom	D8/310
D213,431 S *	3/1969	Stone	D8/310
D543,087 S *	5/2007	Soriano et al.	D8/310
D574,212 S *	8/2008	Jou	D8/305
D579,747 S *	11/2008	Krumpe	D8/307
D579,751 S *	11/2008	Hoernig	D8/310
D602,335 S *	10/2009	Hanes	D8/310

* cited by examiner

Primary Examiner — Paula Greene

(74) *Attorney, Agent, or Firm* — Vangelis Economou;
Economou IP Law

(57) **CLAIM**

The ornamental design for a cabinet knob, as shown and described.

DESCRIPTION

FIG. 1 is a perspective view of the cabinet knob showing my new design;

FIG. 2 is a front elevation view thereof;

FIG. 3 is a back elevational view thereof;

FIG. 4 is a right side view thereof;

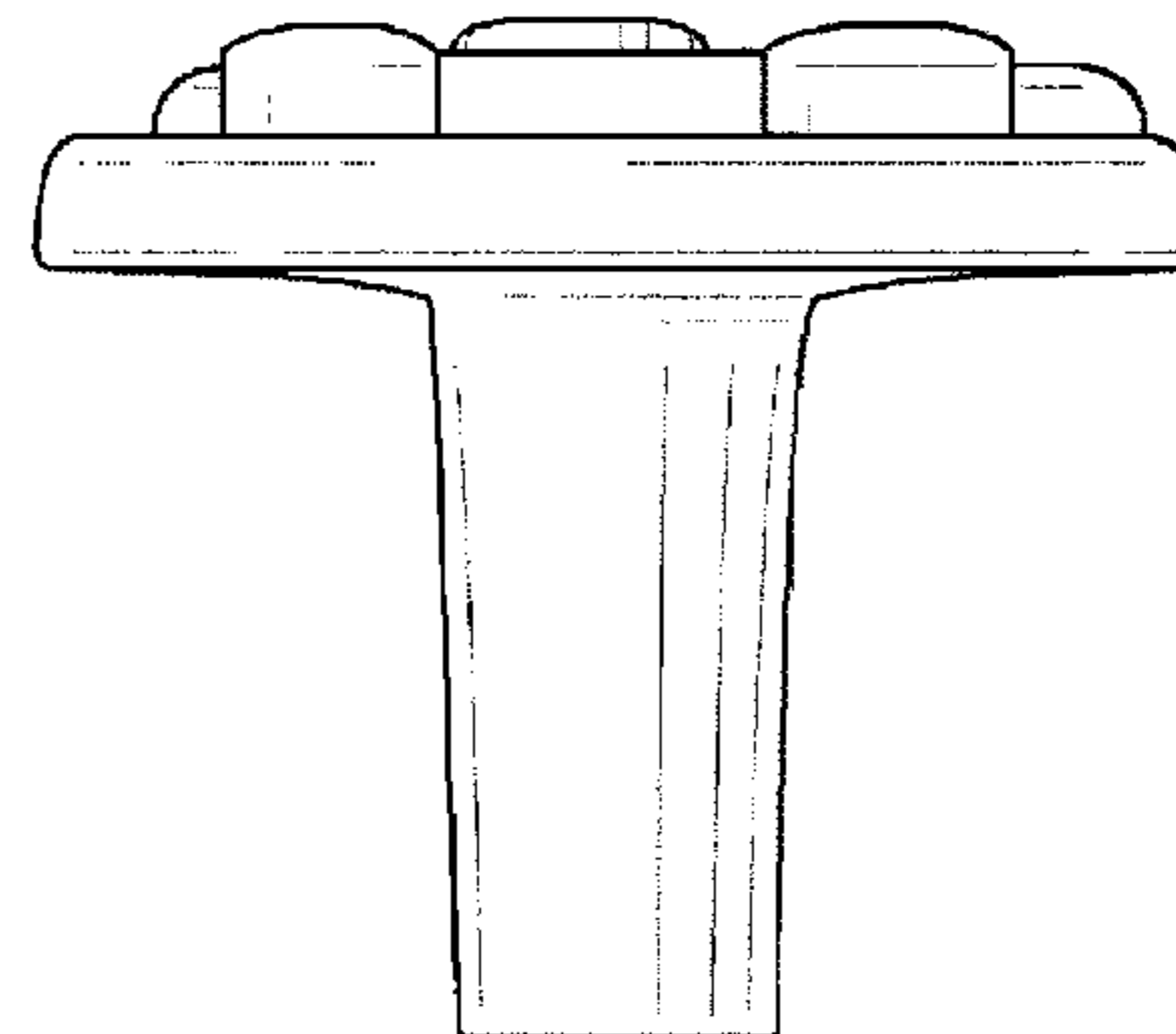
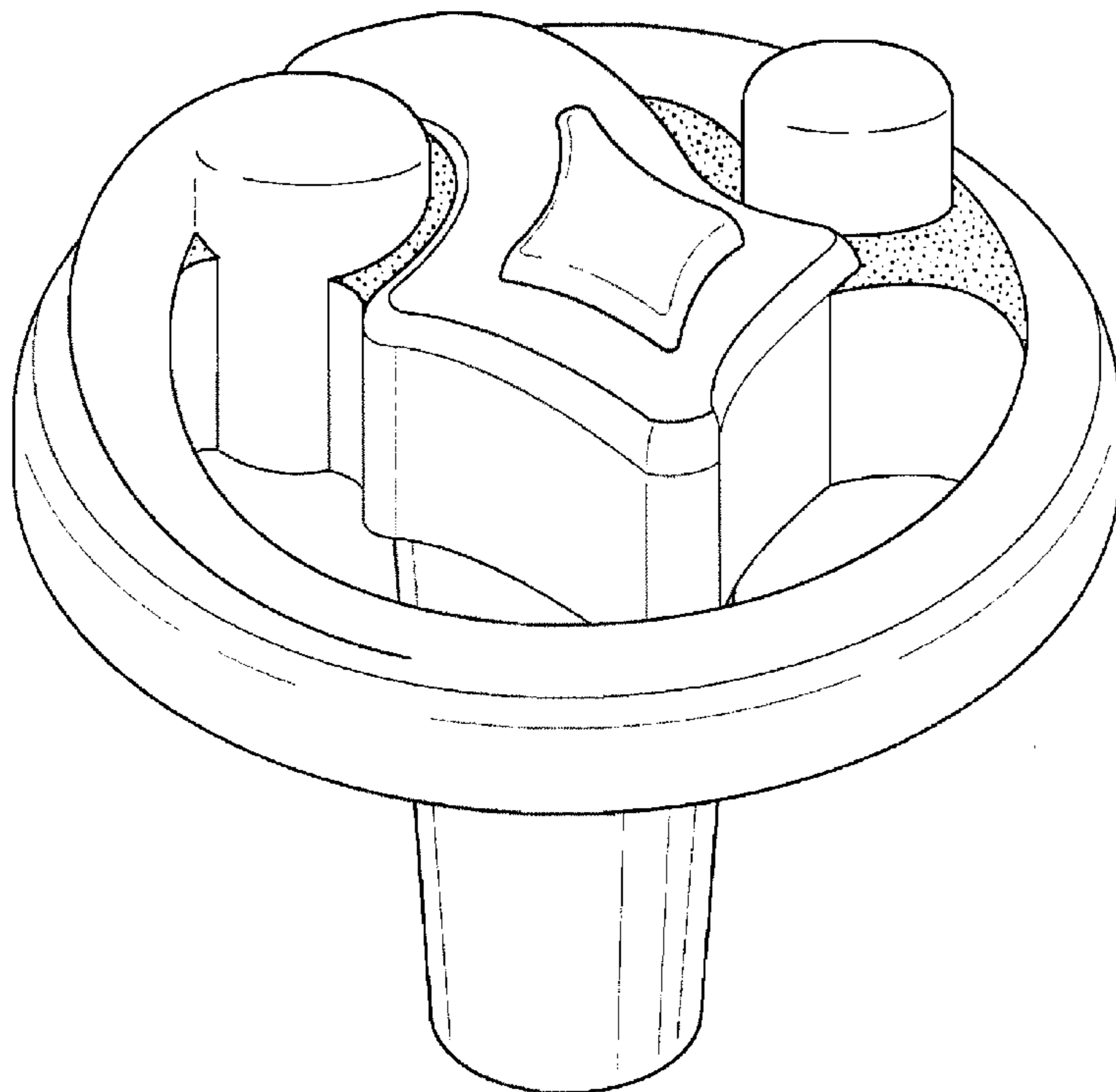
FIG. 5 is a left side view thereof;

FIG. 6 is a top view thereof; and,

FIG. 7 is a bottom view thereof.

The broken lines form no part of the claimed design.

1 Claim, 2 Drawing Sheets



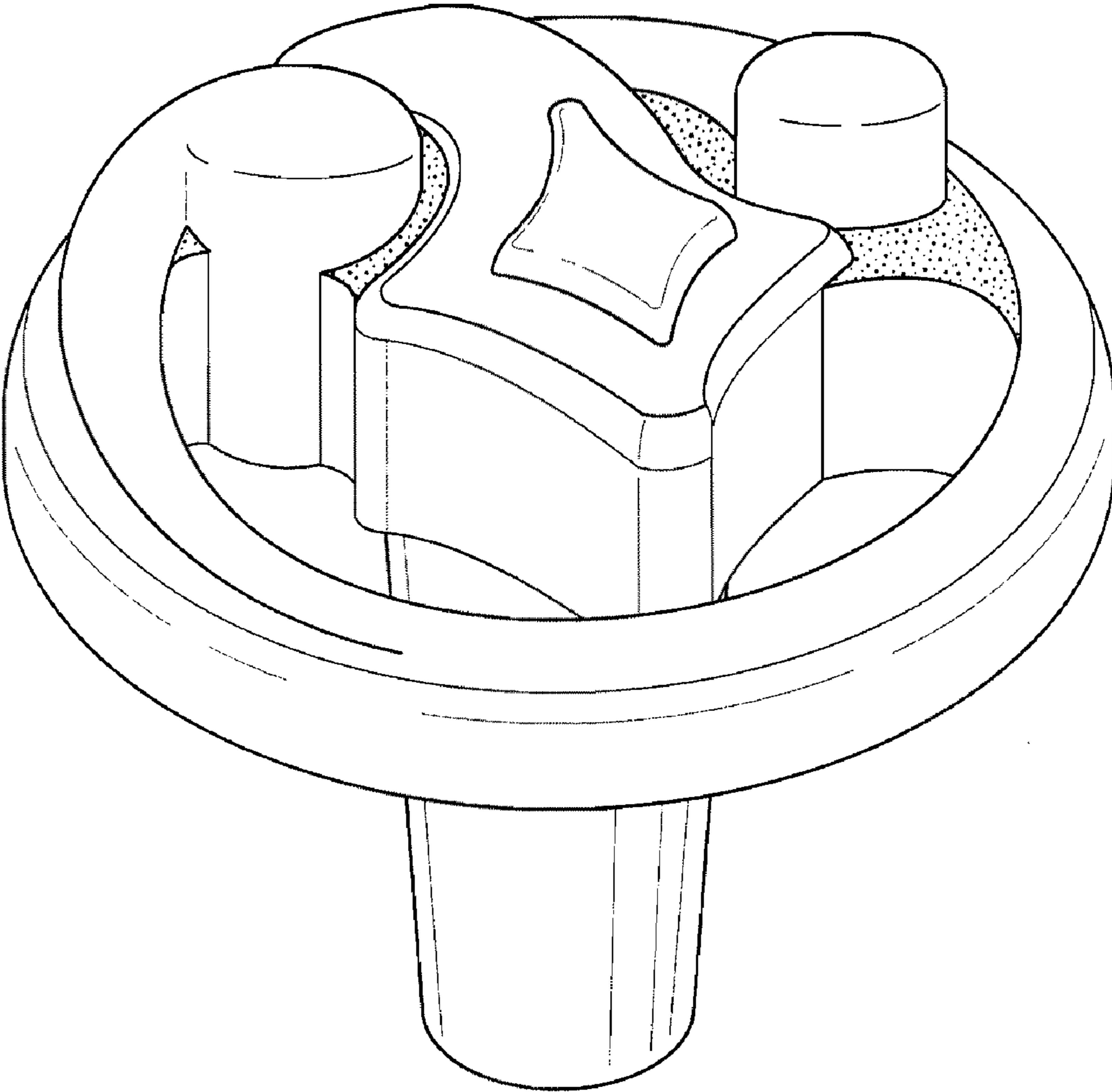


FIG. 1

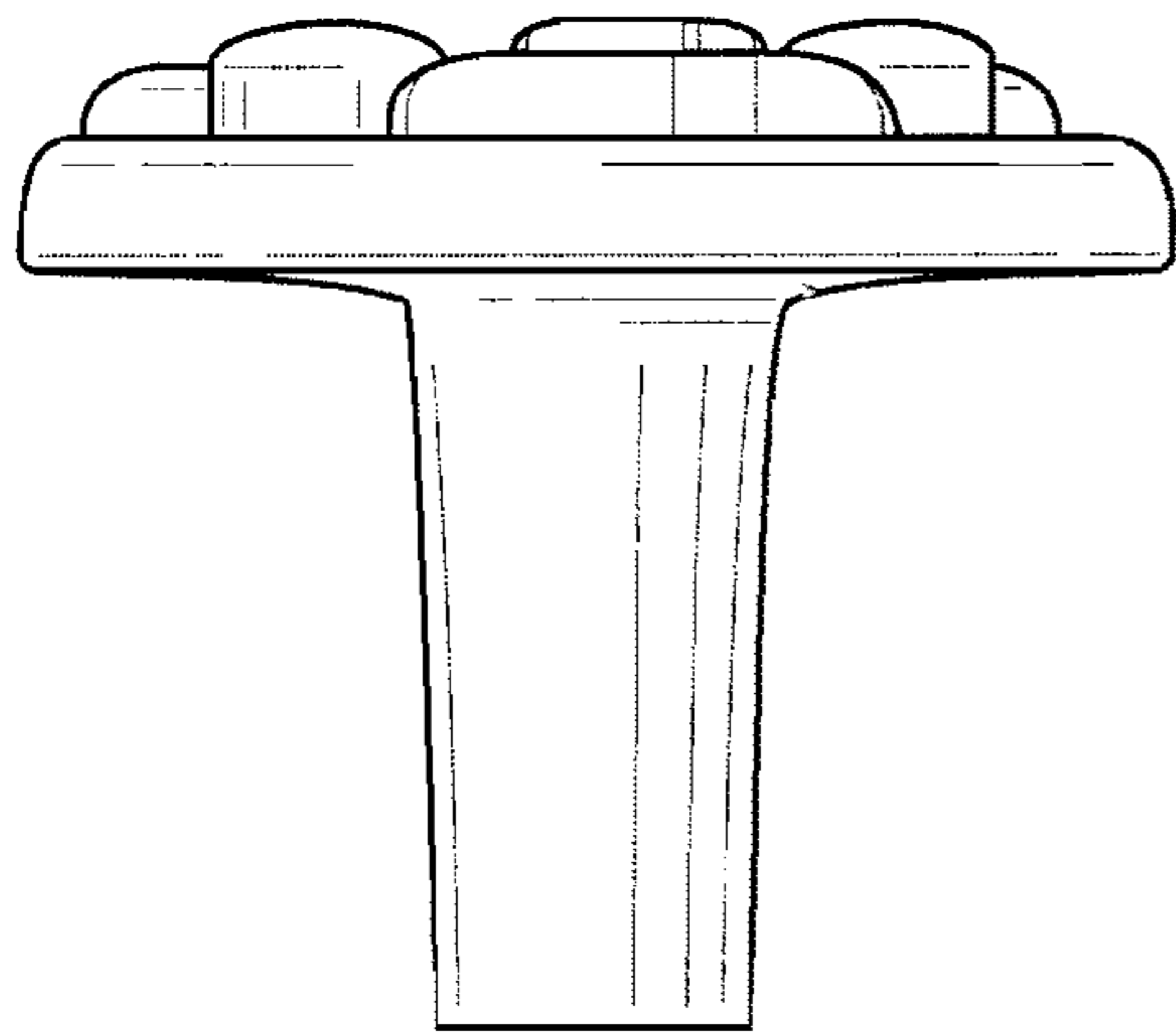


FIG. 2

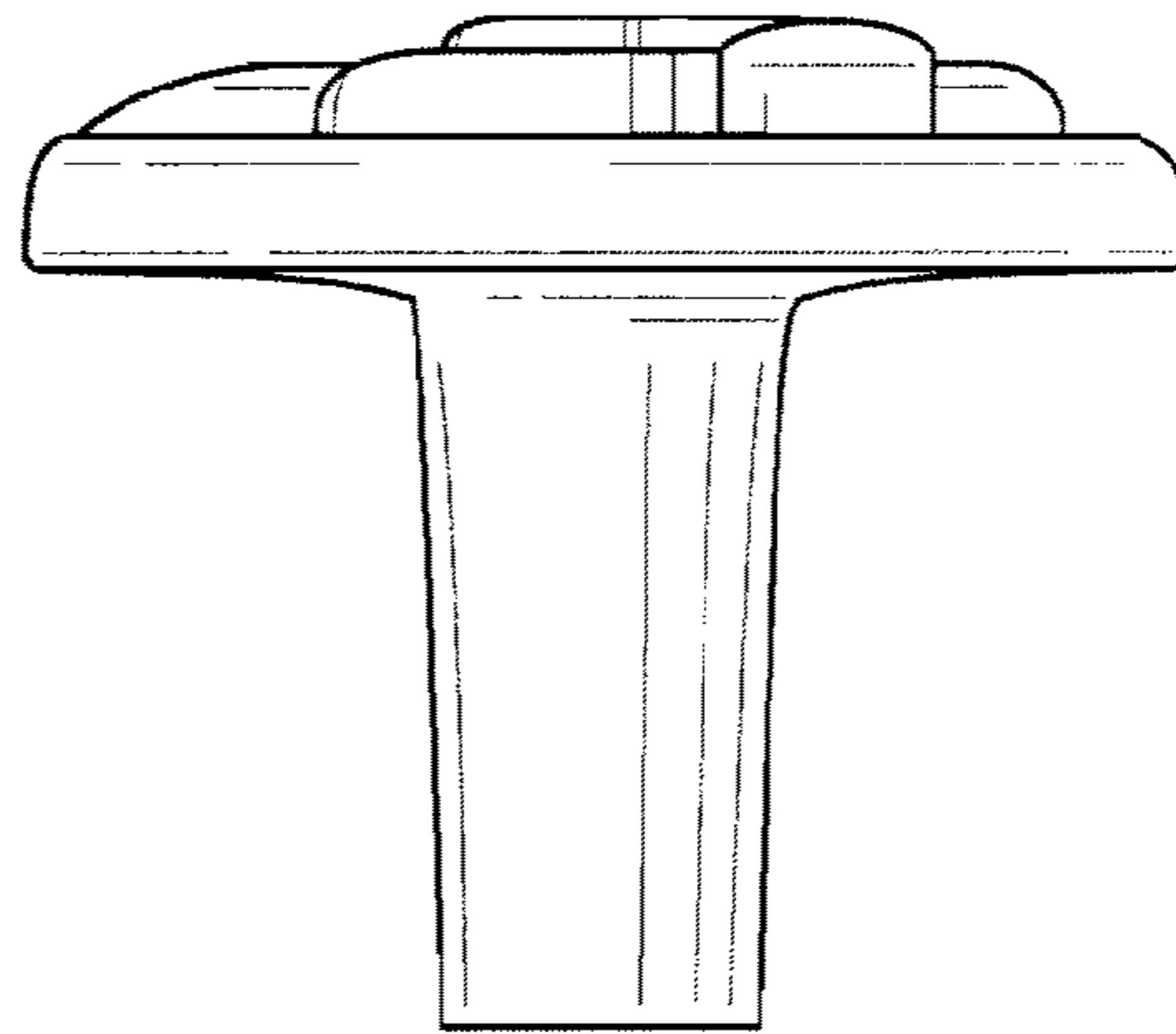


FIG. 3

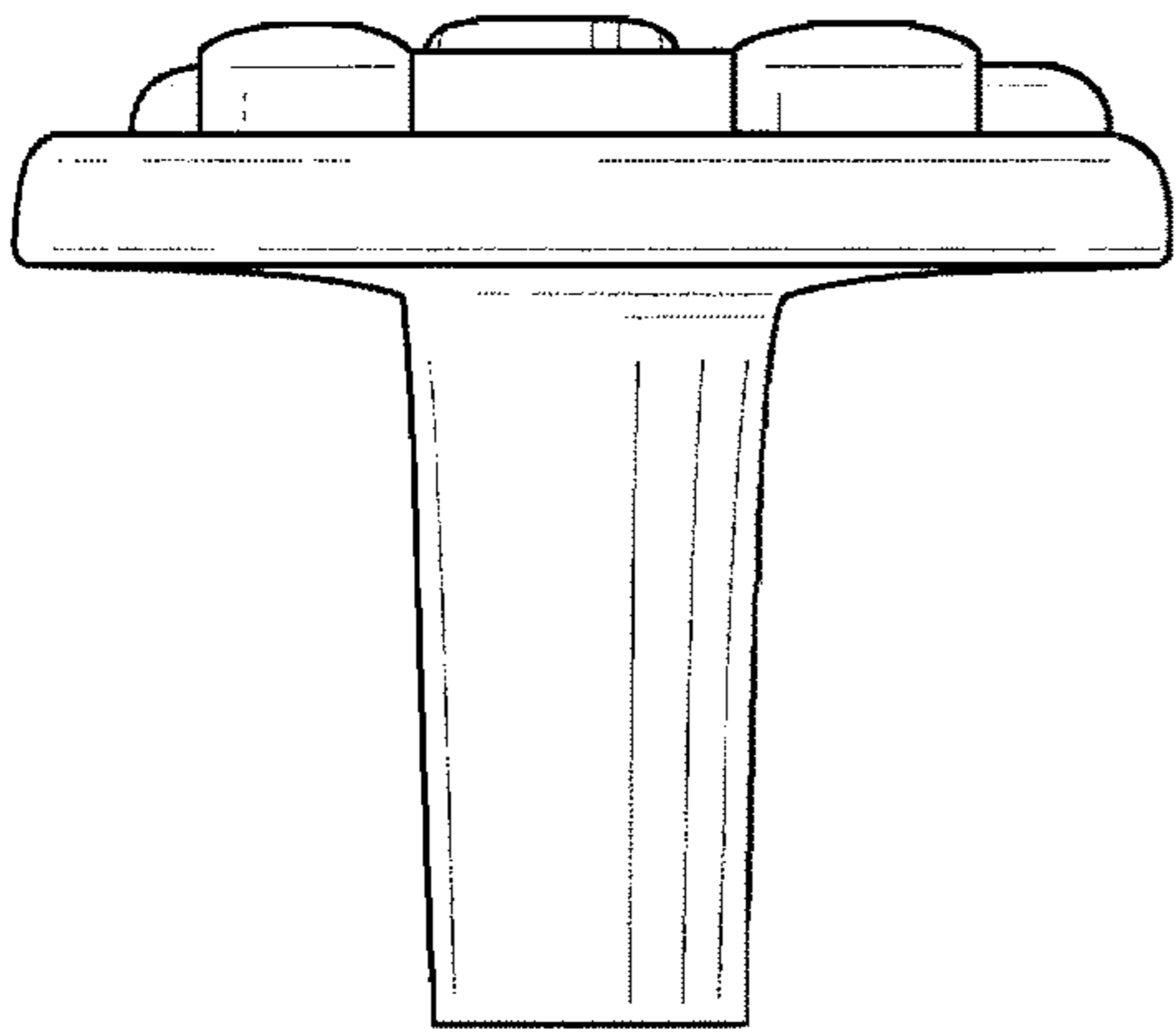


FIG. 4

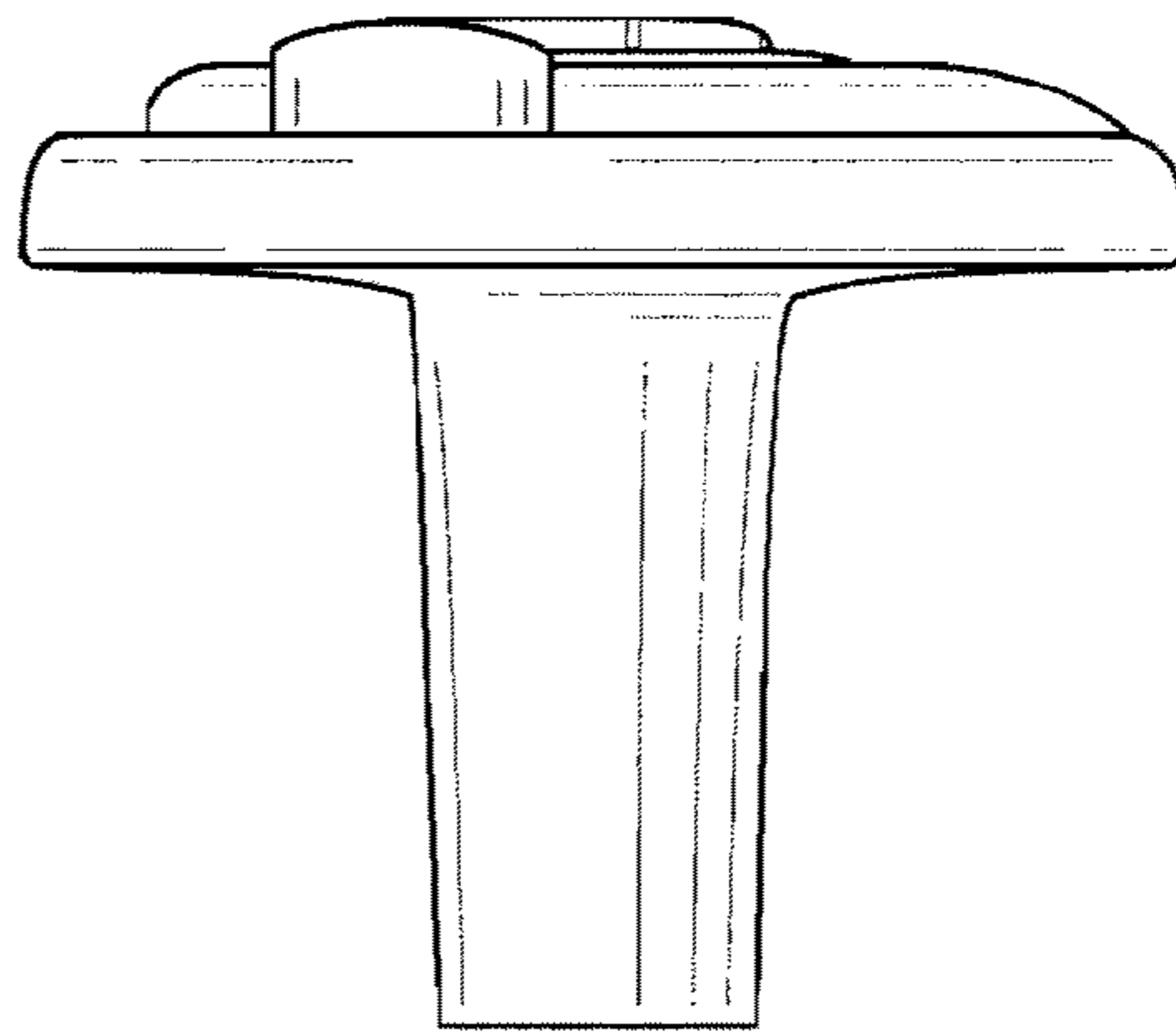


FIG. 5



FIG. 6

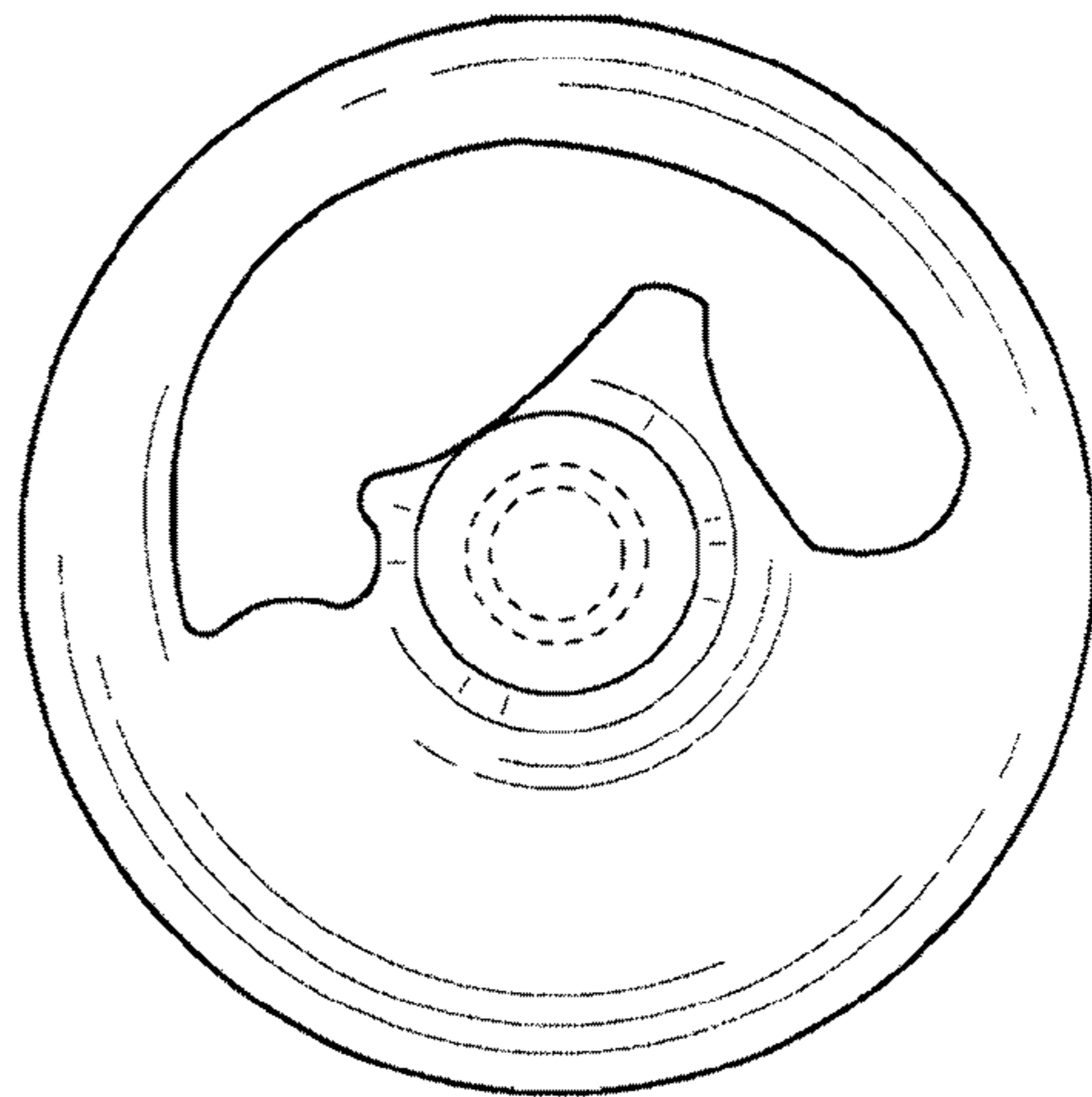


FIG. 7