



US00D648610S

(12) **United States Design Patent**
Paloheimo

(10) **Patent No.:** **US D648,610 S**

(45) **Date of Patent:** **** Nov. 15, 2011**

(54) **AXE BLADE**

(75) Inventor: **Markus Paloheimo**, Helsinki (FI)

(73) Assignee: **Fiskars Brands Finland Oy AB** (FI)

(**) Term: **14 Years**

(21) Appl. No.: **29/362,255**

(22) Filed: **May 21, 2010**

(30) **Foreign Application Priority Data**

Nov. 23, 2009 (EM) 001182133-0001
Nov. 23, 2009 (EM) 001182133-0002

(51) **LOC (9) Cl.** **08-02**

(52) **U.S. Cl.** **D8/78**

(58) **Field of Classification Search** D8/75-81,
D8/107; 7/145; 30/308.1; 144/195.5
See application file for complete search history.

(56) **References Cited**

U.S. PATENT DOCUMENTS

327,275 A * 9/1885 Kelly 30/308.1
402,936 A * 5/1889 Kelly 30/308.1
542,973 A * 7/1895 Carver 30/308.1
561,409 A * 6/1896 Mann 30/308.1
D29,680 S * 11/1898 Kelly D8/76
653,234 A * 7/1900 Graham 30/308.1
776,734 A * 12/1904 Fuller 30/308.1
910,763 A * 1/1909 Yeatts 30/308.1
1,354,384 A * 9/1920 Doolittle 30/308.1

1,943,807 A * 1/1934 Bellerive 403/248
3,090,653 A * 5/1963 Stump 403/248
D354,212 S 1/1995 Rönholm et al.
D356,480 S 3/1995 Rönholm et al.
D362,795 S 10/1995 Rönholm
D519,813 S * 5/2006 Hung D8/76
D595,554 S 7/2009 Hardinge et al.

OTHER PUBLICATIONS

Fiskars Splitting Axe. Snagged Jun. 30, 2011 at <http://www.amazon.com/Fiskars-X25-7854-28-Inch-Splitting/dp/B00004SD7B>.*

* cited by examiner

Primary Examiner — Philip S Hyder
Assistant Examiner — Roselynn Cody
(74) *Attorney, Agent, or Firm* — Foley & Lardner LLP

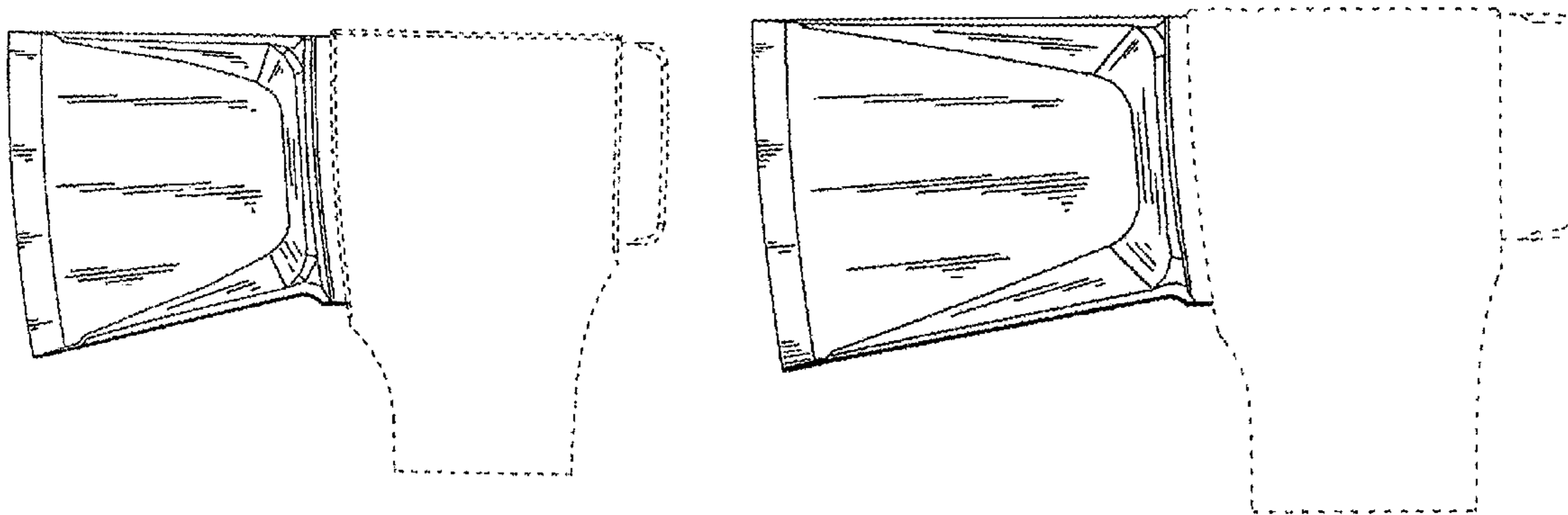
(57) **CLAIM**

The ornamental design for an axe blade, as shown and described.

DESCRIPTION

FIG. 1 is a perspective top and right side view of an axe-edge showing my new design;
FIG. 2 is a right side view thereof;
FIG. 3 is a top view thereof;
FIG. 4 is a perspective top and right side view of another embodiment showing my new design;
FIG. 5 is a right side view thereof; and,
FIG. 6 is a top view thereof.
The broken lines in the drawings illustrate features that form no part of the claimed design.

1 Claim, 6 Drawing Sheets



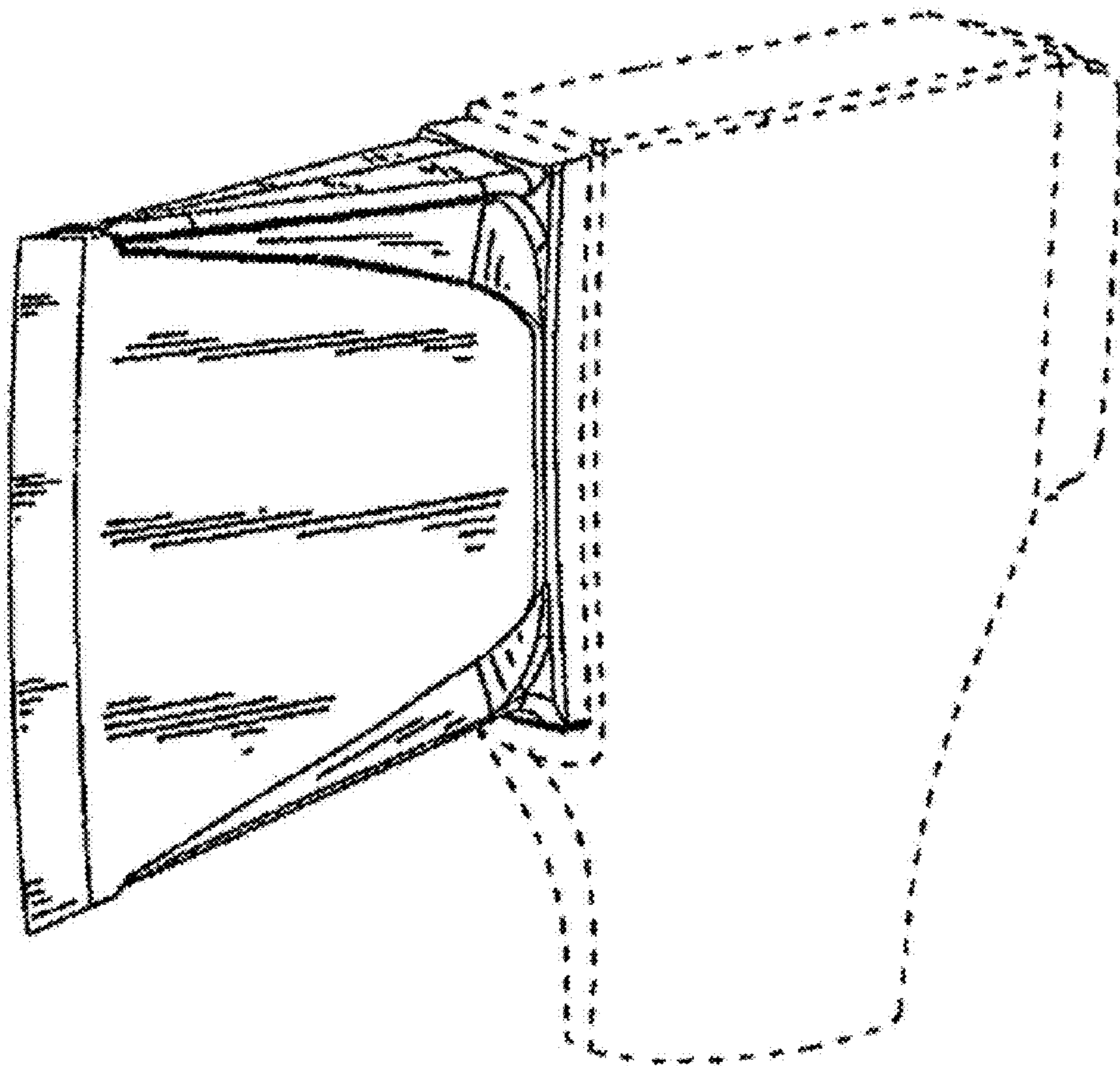


Figure 1

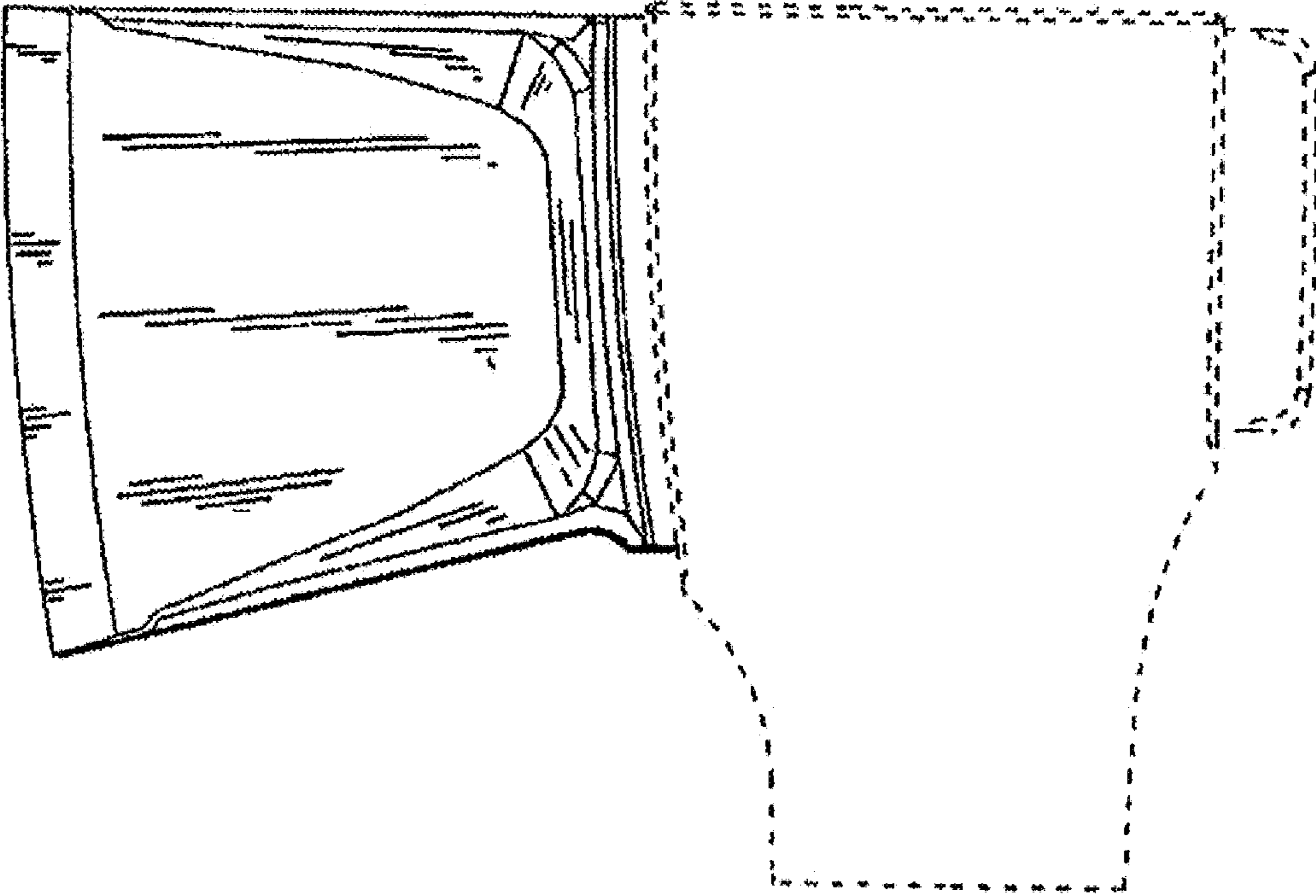


Figure 2

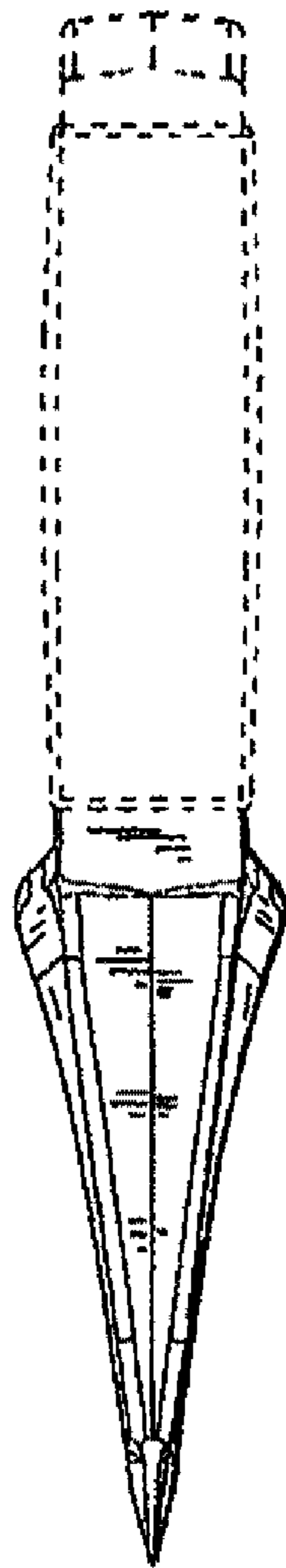


Figure 3

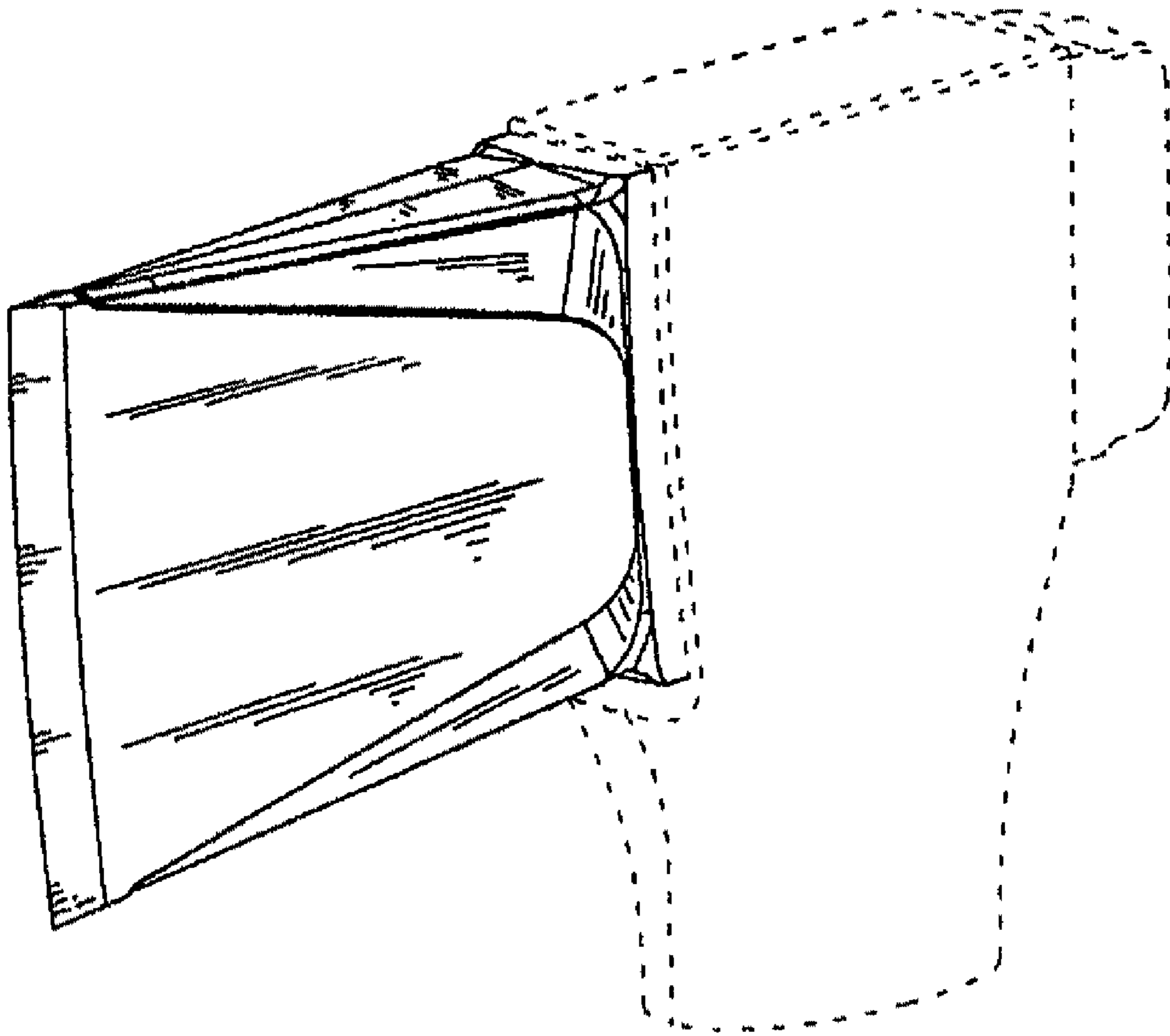


Figure 4

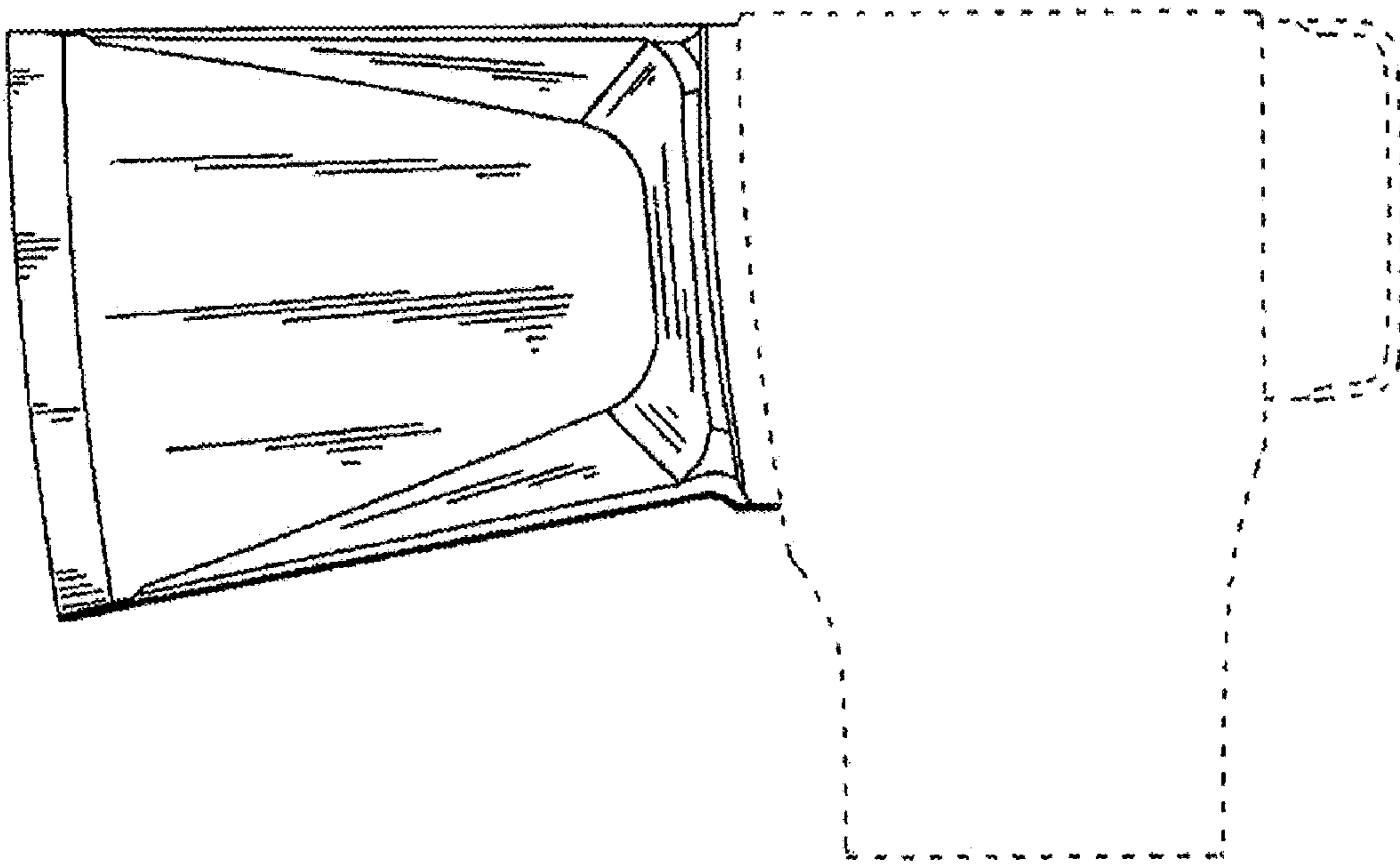


Figure 5

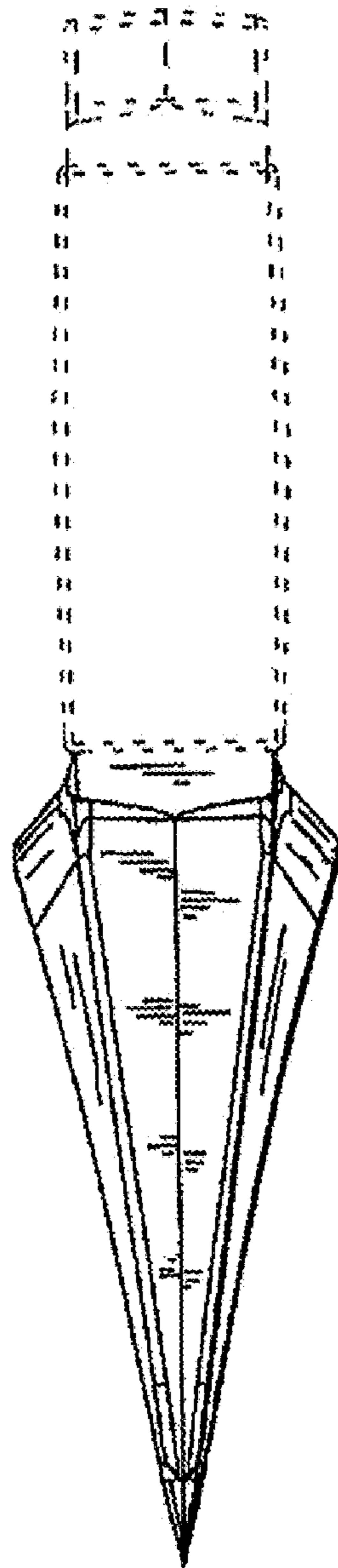


Figure 6