



US00D648609S

(12) **United States Design Patent**  
**Refson**

(10) **Patent No.:** **US D648,609 S**

(45) **Date of Patent:** **\*\* Nov. 15, 2011**

(54) **PLANER SANDER**

(75) Inventor: **Neil Refson**, Kintore (GB)

(73) Assignee: **Exakt Precision Tools Limited**, Kintore (GB)

(\*\*) Term: **14 Years**

(21) Appl. No.: **29/366,137**

(22) Filed: **Jul. 20, 2010**

(30) **Foreign Application Priority Data**

Feb. 26, 2010 (EM) ..... 001675133-0001

(51) **LOC (9) Cl.** ..... **08-01**

(52) **U.S. Cl.** ..... **D8/62**

(58) **Field of Classification Search** ..... D8/67,  
D8/62, 61, 70; D32/15, 17, 19; D4/102;  
451/456, 451, 359, 358, 357, 356, 355, 364,  
451/344; 144/154.5, 373; 30/475

See application file for complete search history.

(56) **References Cited**

**U.S. PATENT DOCUMENTS**

D478,261	S *	8/2003	Sham	.....	D8/62
D487,008	S *	2/2004	Andriolo	.....	D8/62
6,688,349	B2 *	2/2004	Roshilavati Razlan et al.	.....	144/154.5
D512,619	S *	12/2005	Aglassinger	.....	D8/62
D526,549	S *	8/2006	Aglassinger	.....	D8/62
D527,235	S *	8/2006	Aglassinger	.....	D8/62
D530,579	S *	10/2006	Waldron	.....	D8/62
D555,449	S *	11/2007	Waldron	.....	D8/62
D570,173	S *	6/2008	O'Hern	.....	D8/62

D592,025	S *	5/2009	Snowball	.....	D8/62
D598,261	S *	8/2009	Waldron	.....	D8/62
D601,874	S *	10/2009	Hayakawa et al.	.....	D8/62
2003/0168122	A1 *	9/2003	Razlan et al.	.....	144/154.5
2004/0149351	A1 *	8/2004	Thomas	.....	144/136.95
2005/0034782	A1 *	2/2005	Park et al.	.....	144/154.5
2005/0274433	A1 *	12/2005	Thomas	.....	144/252.1
2005/0284543	A1 *	12/2005	Kaiser	.....	144/373

\* cited by examiner

*Primary Examiner* — Austin Murphy

(74) *Attorney, Agent, or Firm* — Winstead PC

(57) **CLAIM**

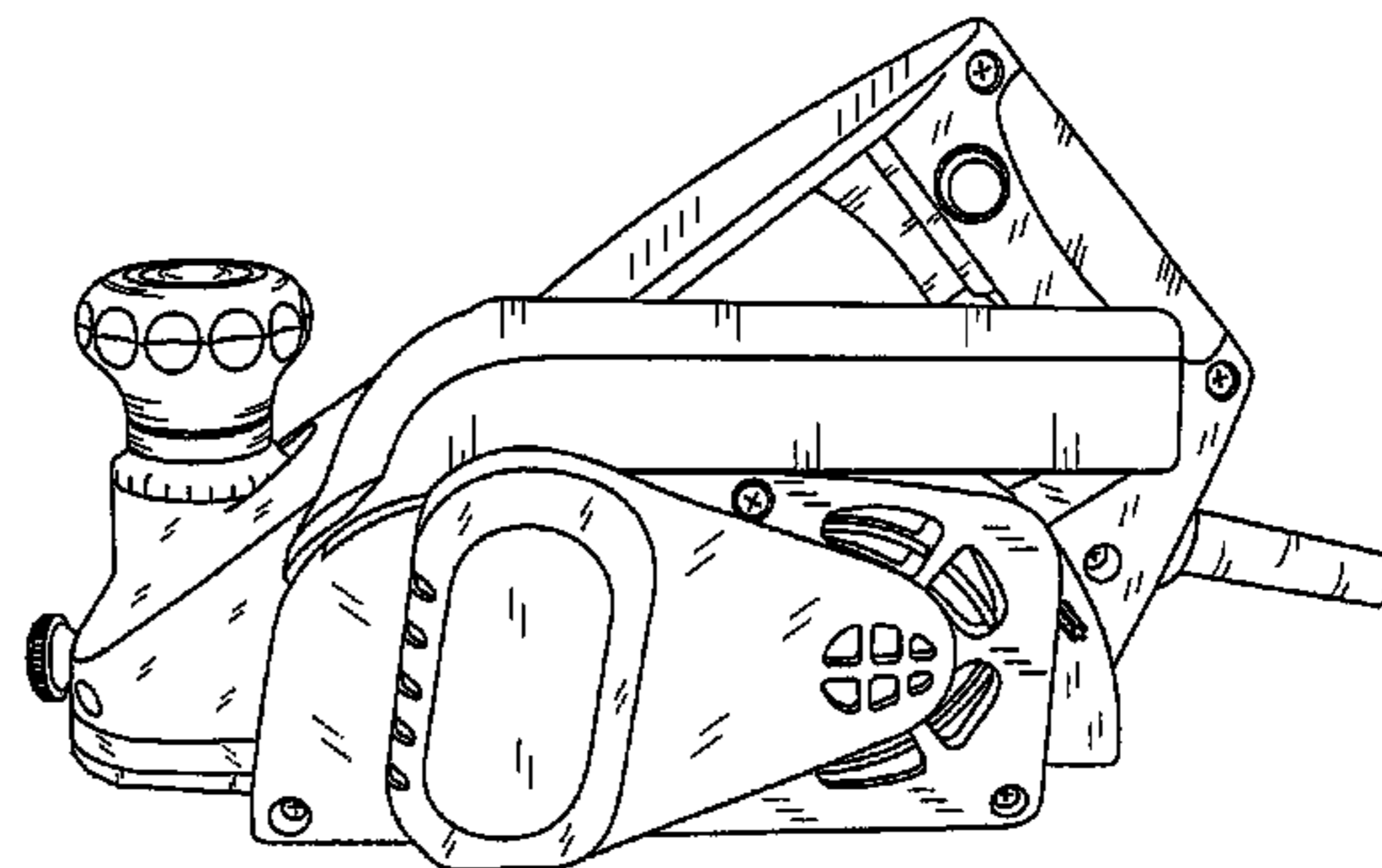
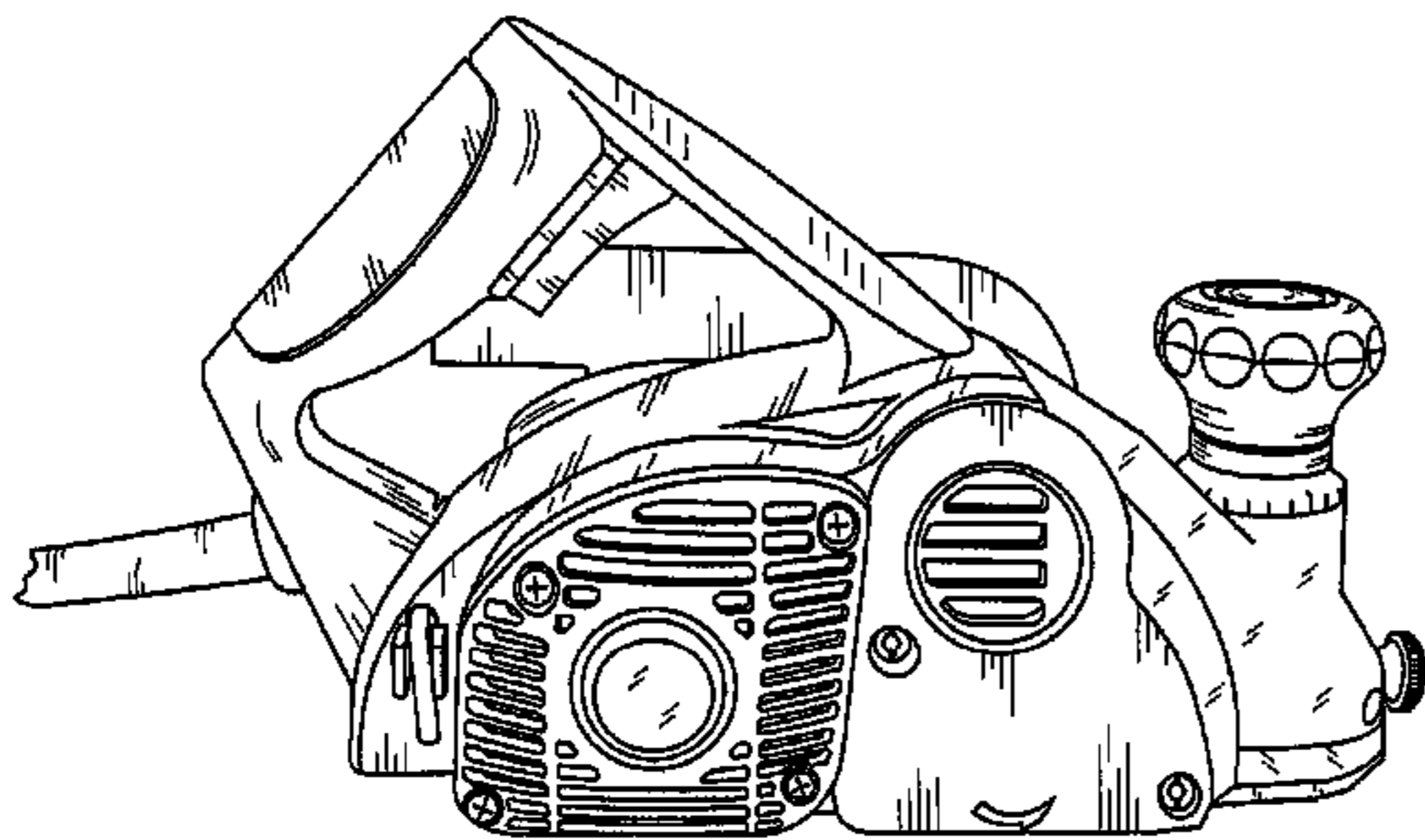
The ornamental design for planer sander, as shown and described.

**DESCRIPTION**

FIG. 1 is a perspective view illustrating a front side and a right side of a planer sander in accordance with the design;  
 FIG. 2 is a perspective view illustrating the right side of the planer sander in accordance with the design;  
 FIG. 3 is a perspective view illustrating a back side of the planer sander in accordance with the design;  
 FIG. 4 is a perspective view illustrating a left side of the planer sander in accordance with the design;  
 FIG. 5 is a perspective view illustrating a bottom side of the planer sander in accordance with the design;  
 FIG. 6 is a perspective view illustrating a top side of the planer sander in accordance with the design; and,  
 FIG. 7 is a second perspective view illustrating the top side and the right side of the planer sander in accordance with the design.

Broken lines in the drawings are for illustrative purposes only and form no part of the design to be patented.

**1 Claim, 7 Drawing Sheets**



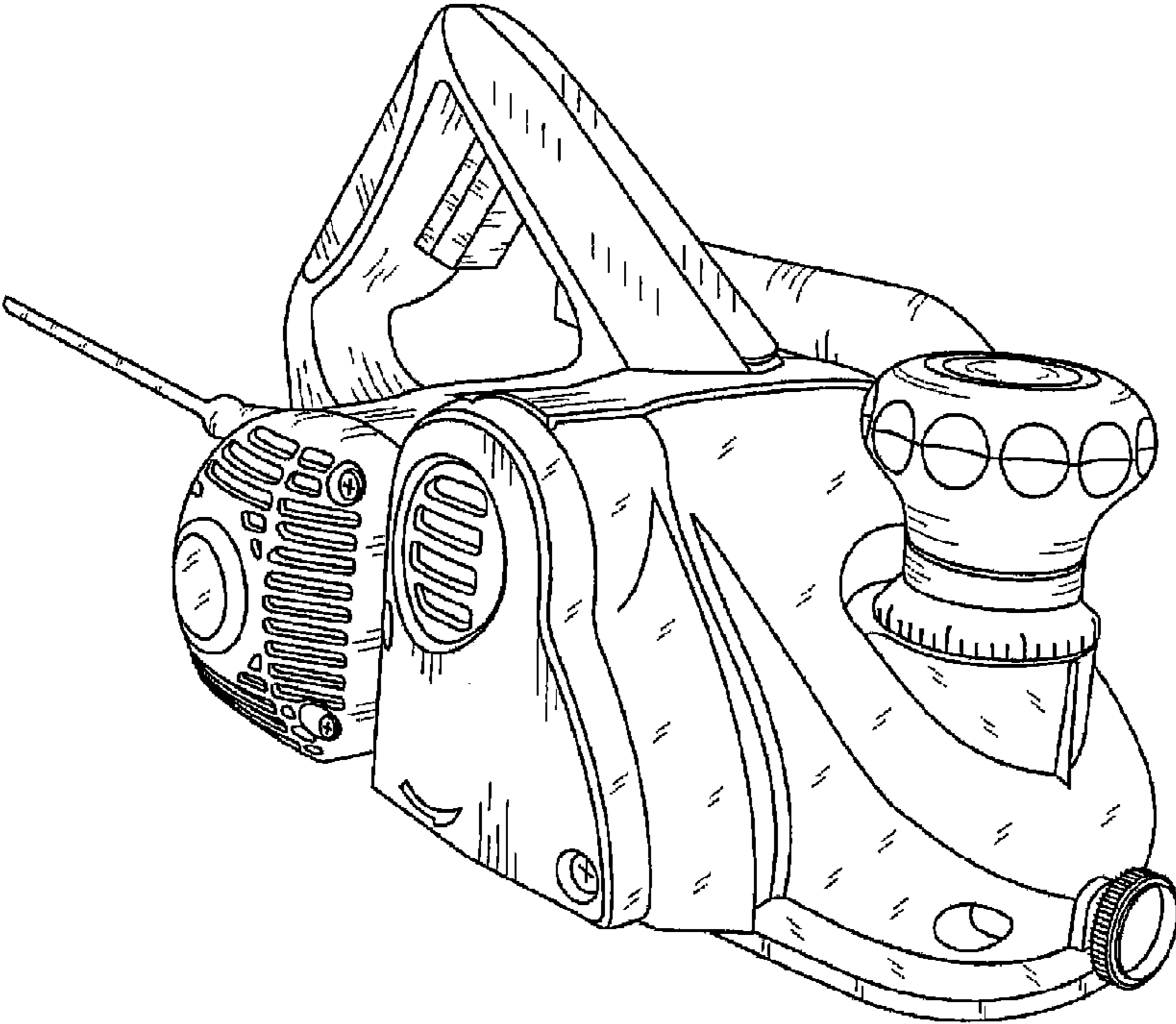


Fig 1

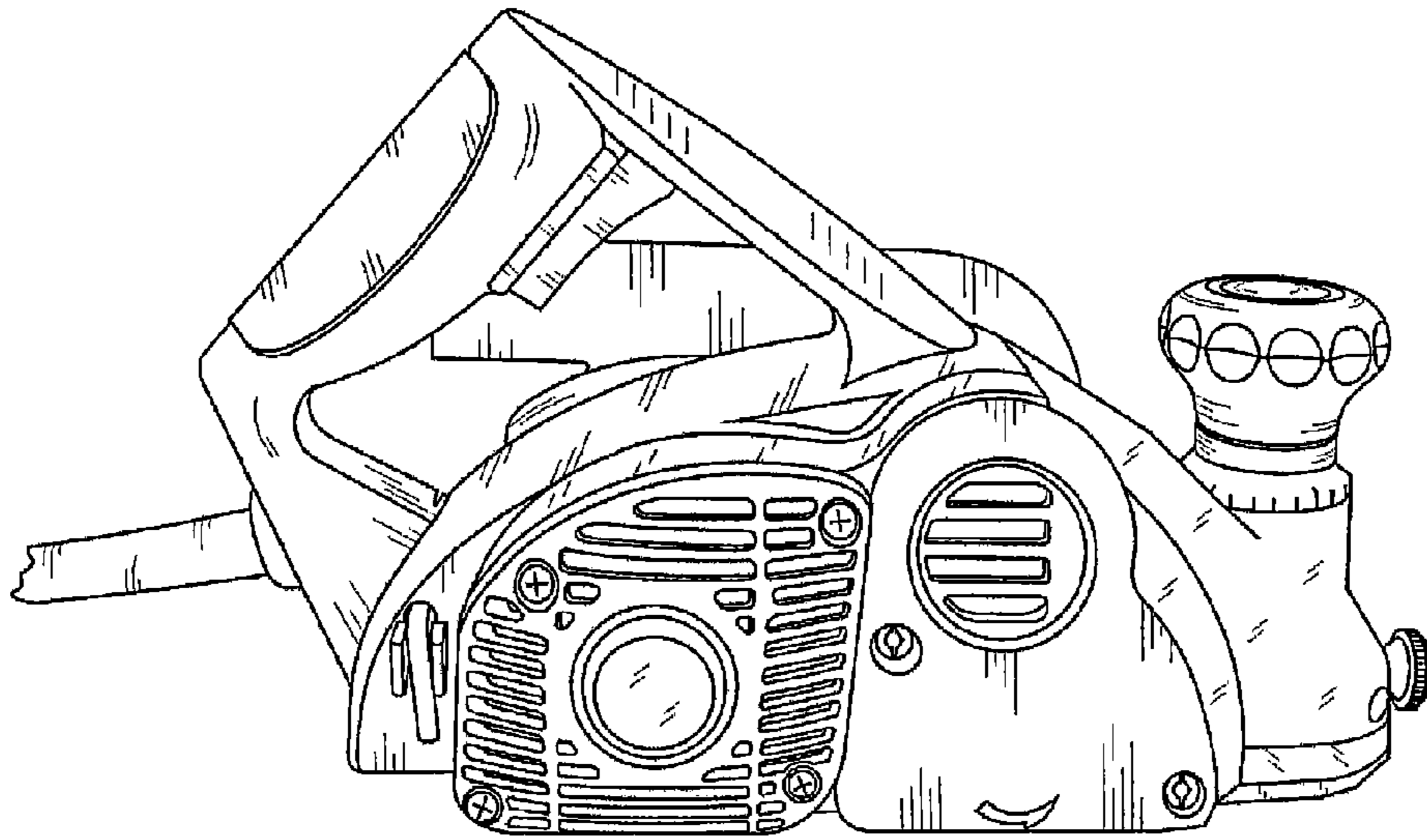


Fig 2

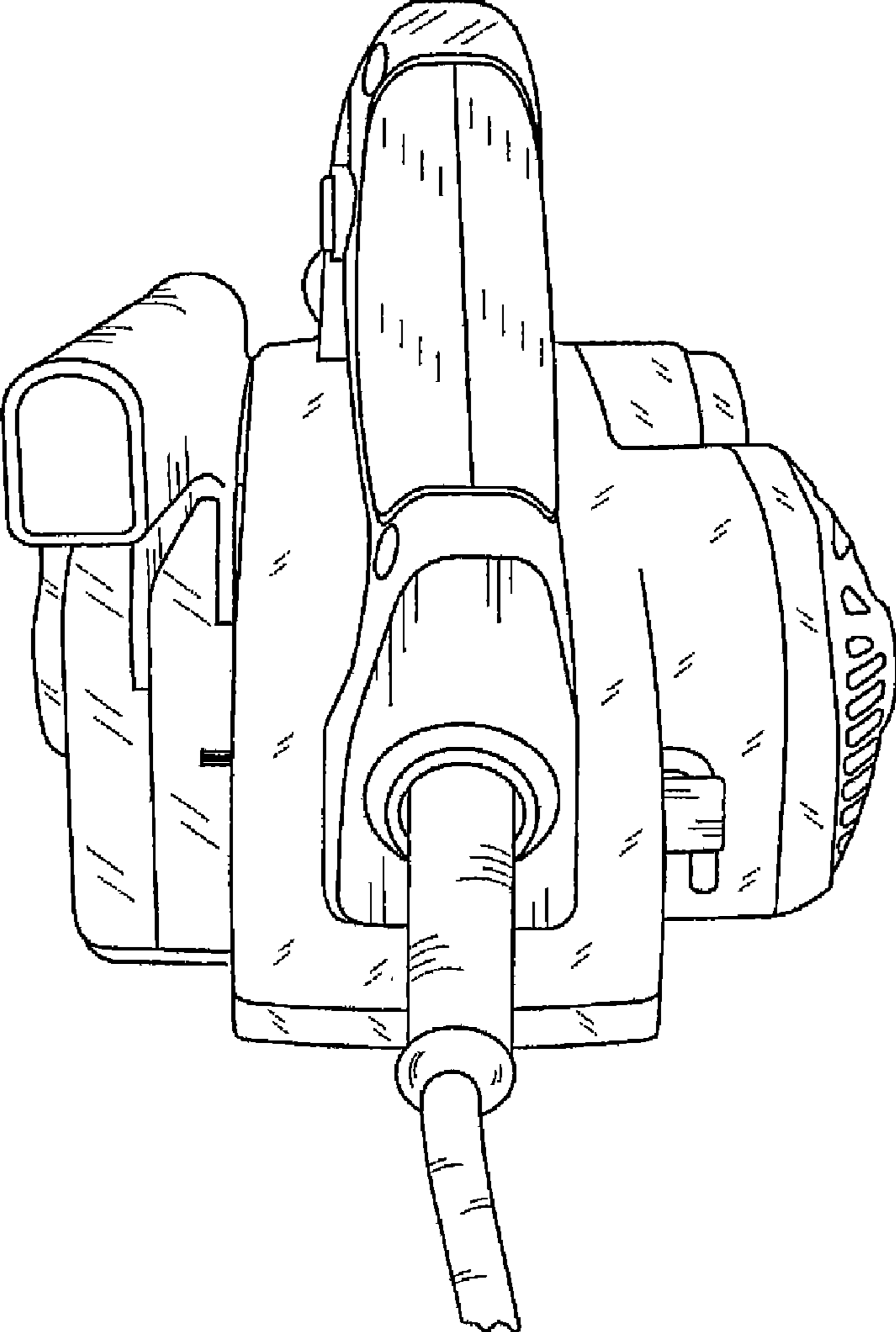


Fig 3

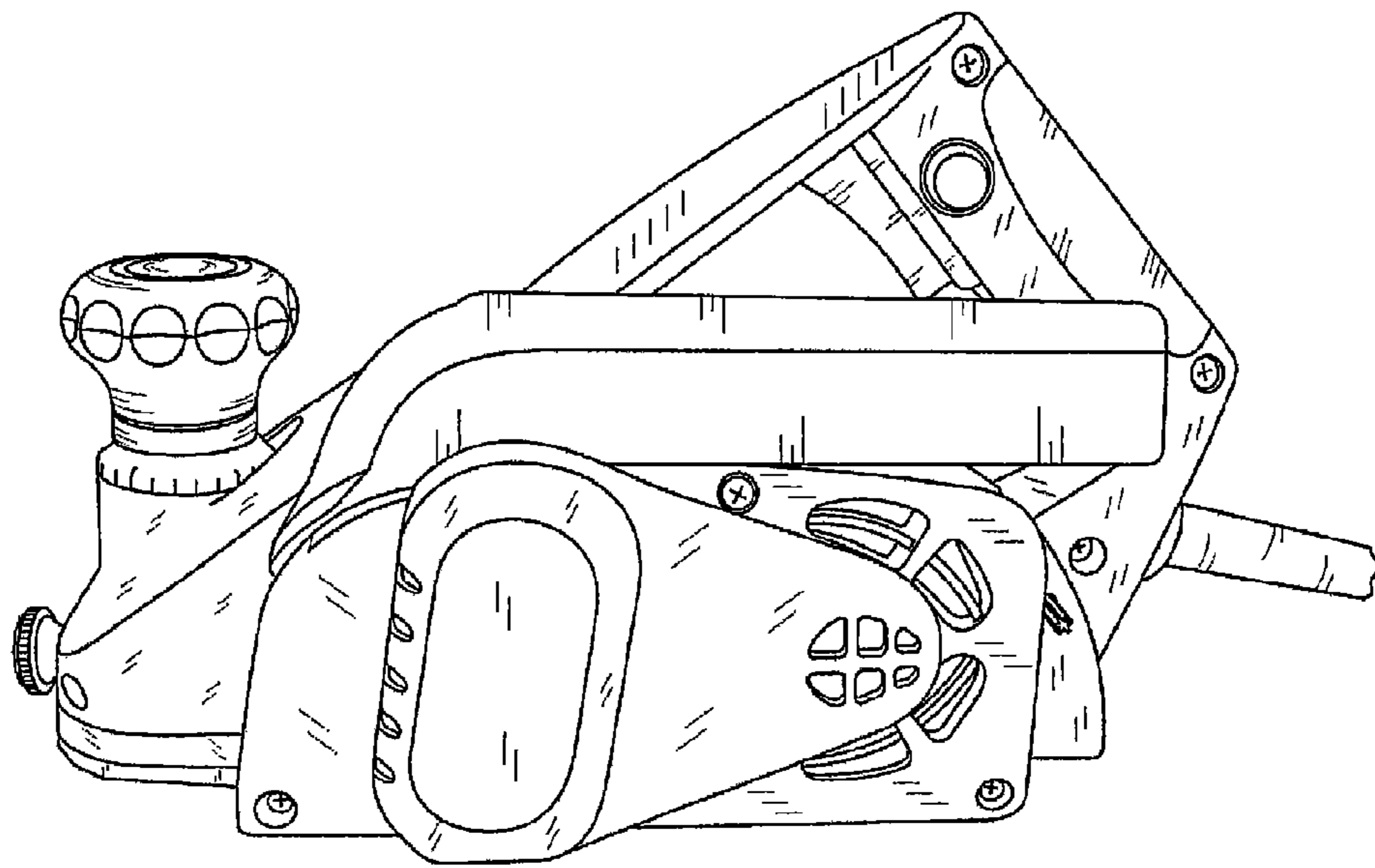


Fig 4

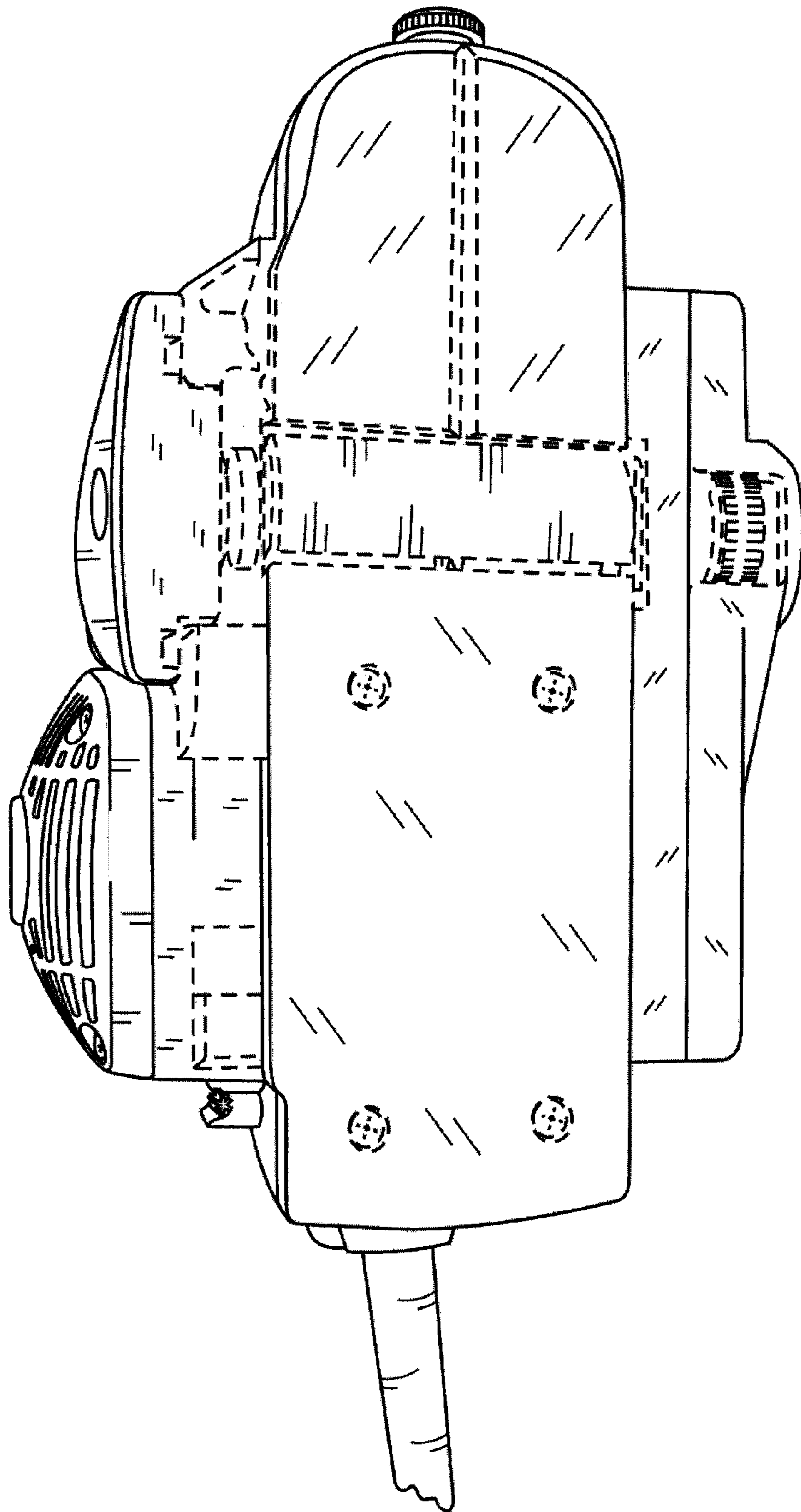


FIG. 5

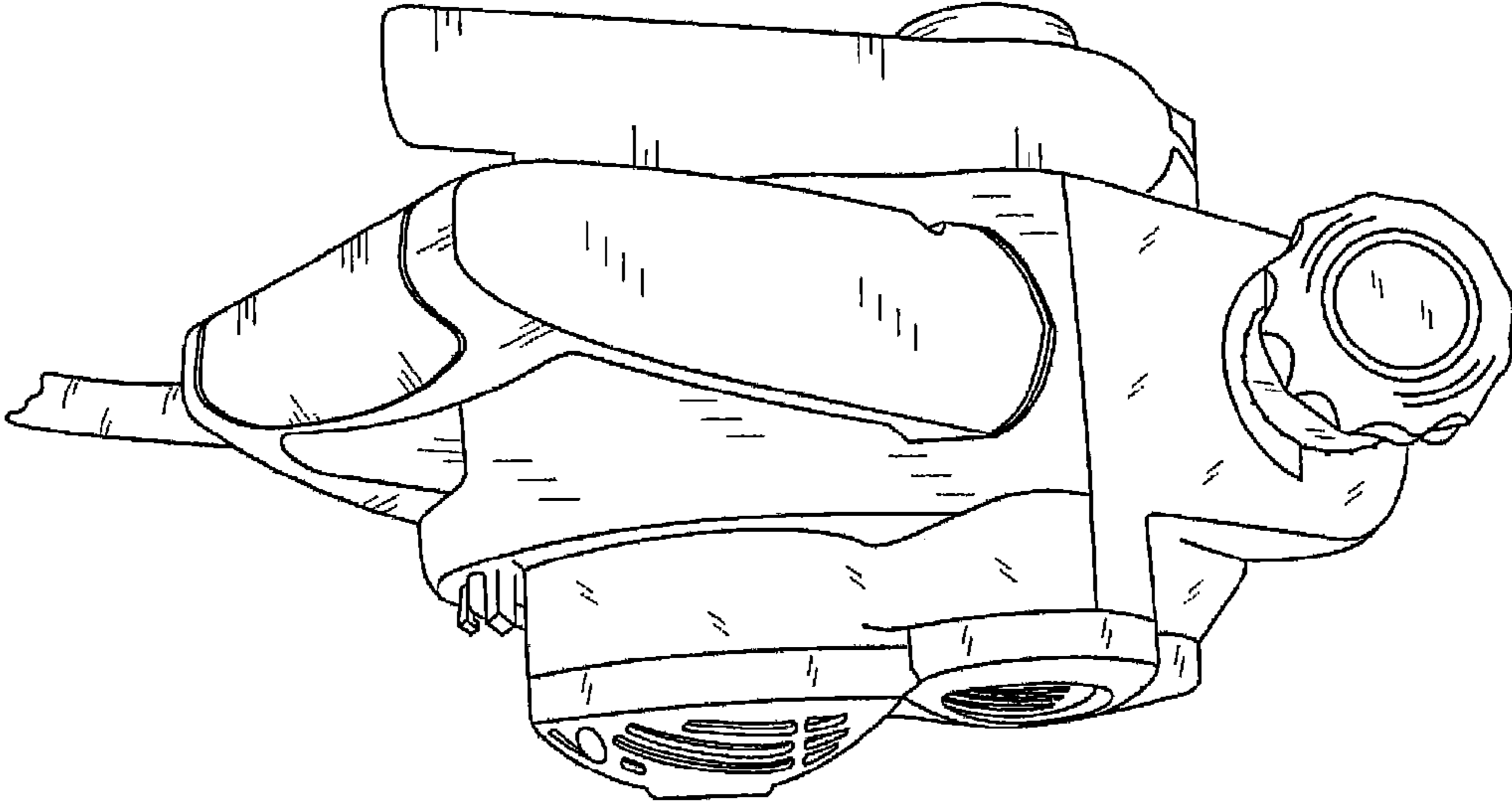


Fig 6

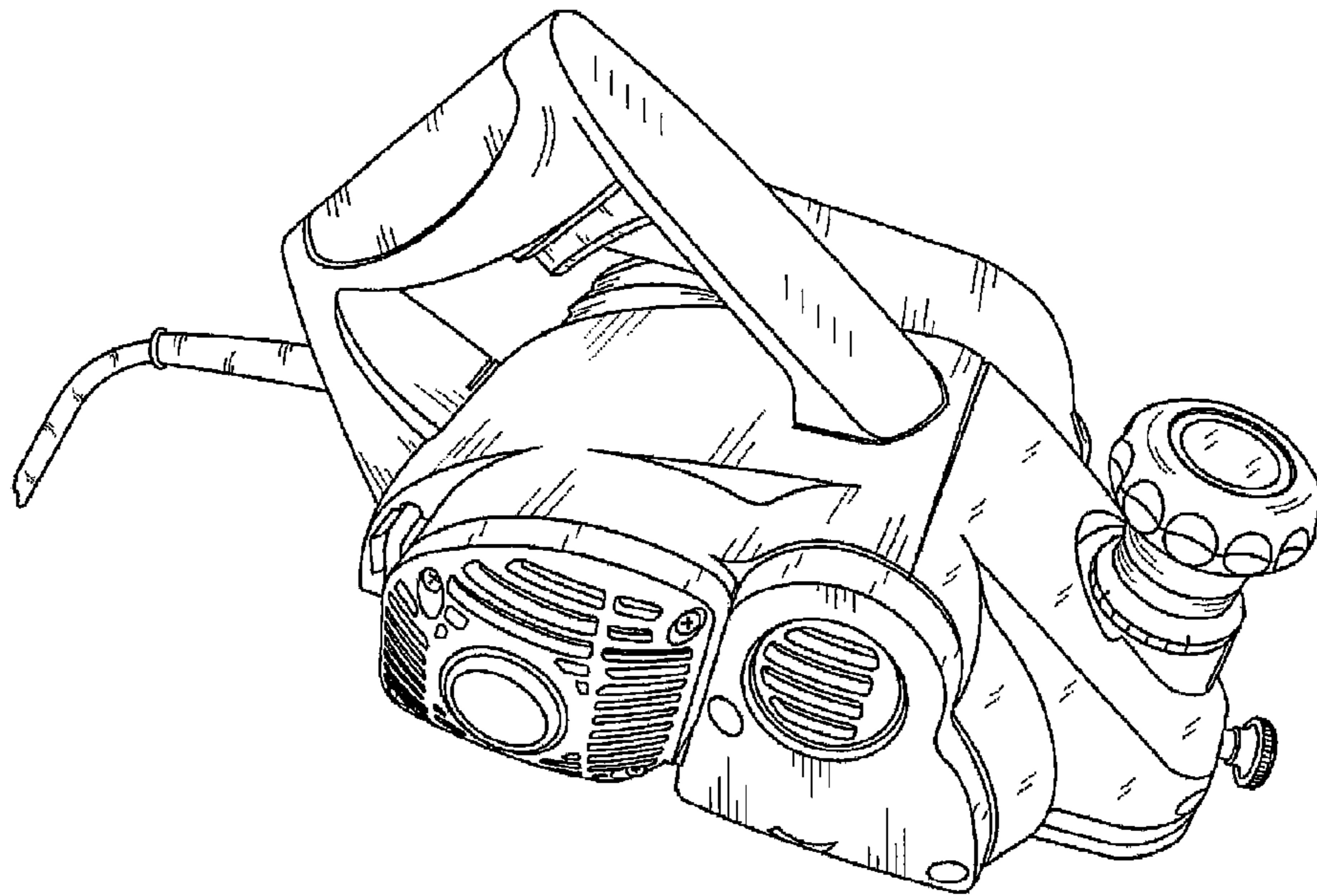


Fig 7