



US00D648606S

(12) **United States Design Patent**
Sallander

(10) **Patent No.:** **US D648,606 S**

(45) **Date of Patent:** **** Nov. 15, 2011**

(54) **ELECTRIC HOT AIR TOOL**

(75) Inventor: **Martin Sallander**, Jönköping (SE)

(73) Assignee: **Sievert AB**, Solna (SE)

(**) Term: **14 Years**

(21) Appl. No.: **29/360,563**

(22) Filed: **Apr. 28, 2010**

(30) **Foreign Application Priority Data**

Mar. 24, 2010 (EM) 1686247

(51) **LOC (9) Cl.** **08-05**

(52) **U.S. Cl.** **D8/29.1**

(58) **Field of Classification Search** D8/29.1–29.2,
D8/30; D28/13; 219/222, 225, 227; 392/379–385
See application file for complete search history.

(56) **References Cited**

U.S. PATENT DOCUMENTS

3,673,383 A * 6/1972 Sofia 219/227
D241,279 S * 8/1976 Wolff et al. D28/13
D261,318 S * 10/1981 Oberheim et al. D28/35
6,584,718 B1 * 7/2003 Serrao 42/70.11

D530,168 S * 10/2006 Doi et al. D8/30
D631,312 S * 1/2011 Wallimann-Durrer

et al. D8/29.1
2010/0008655 A1* 1/2010 Tackitt et al. 392/385

* cited by examiner

Primary Examiner — Philip S Hyder

Assistant Examiner — Roselynn Cody

(74) *Attorney, Agent, or Firm* — Nixon & Vanderhye, P.C.

(57) **CLAIM**

The ornamental design for an electric hot air tool, as shown and described.

DESCRIPTION

FIG. 1 is a top, front perspective view of the electric hot air tool.

FIG. 2 is a front elevational view of the electric hot air tool.

FIG. 3 is a rear elevational view of the electric hot air tool.

FIG. 4 is a left side elevational view of the electric hot air tool.

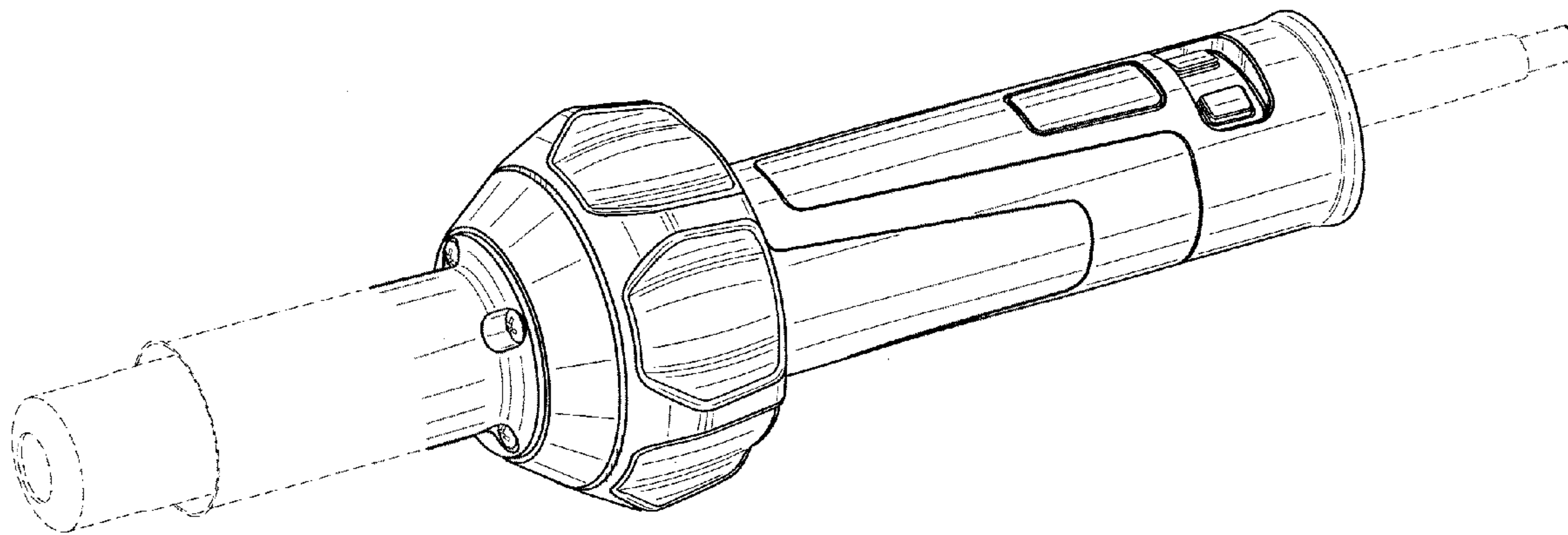
FIG. 5 is a right side view elevational of the electric hot air tool.

FIG. 6 is a top, plan view of the electric hot air tool; and,

FIG. 7 is a bottom view of the electric hot air tool.

The broken line portion of the figure drawings is included to show unclaimed subject matter, only and forms no part of the claimed design.

1 Claim, 4 Drawing Sheets



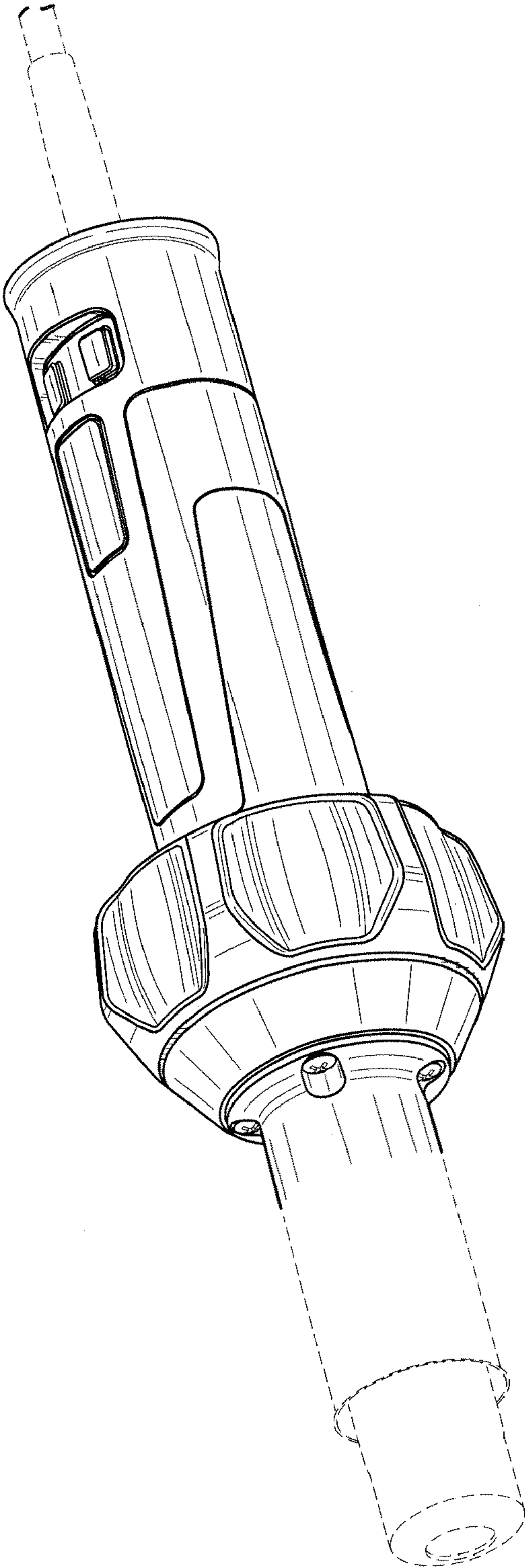


Figure 1

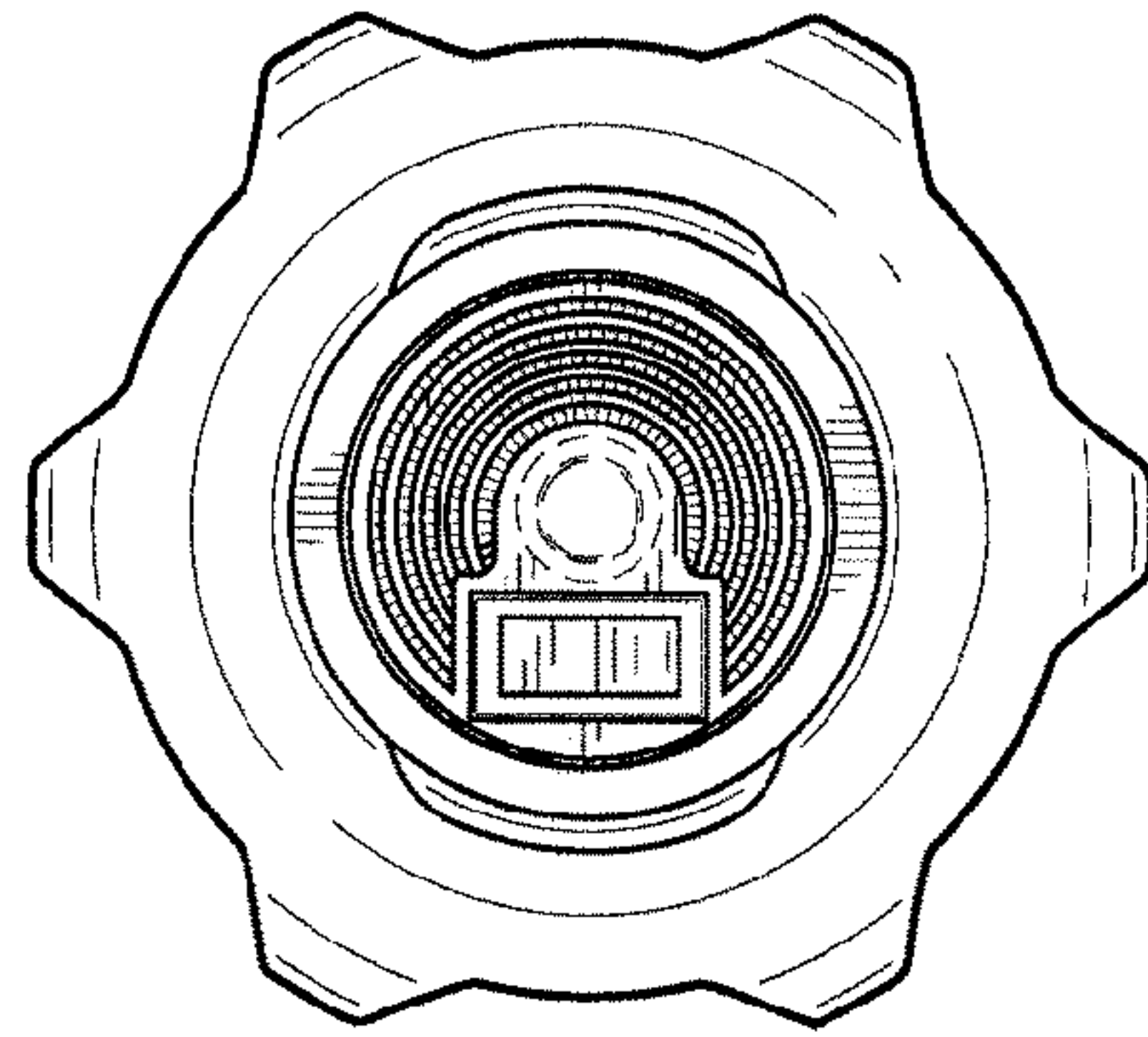


Figure 3

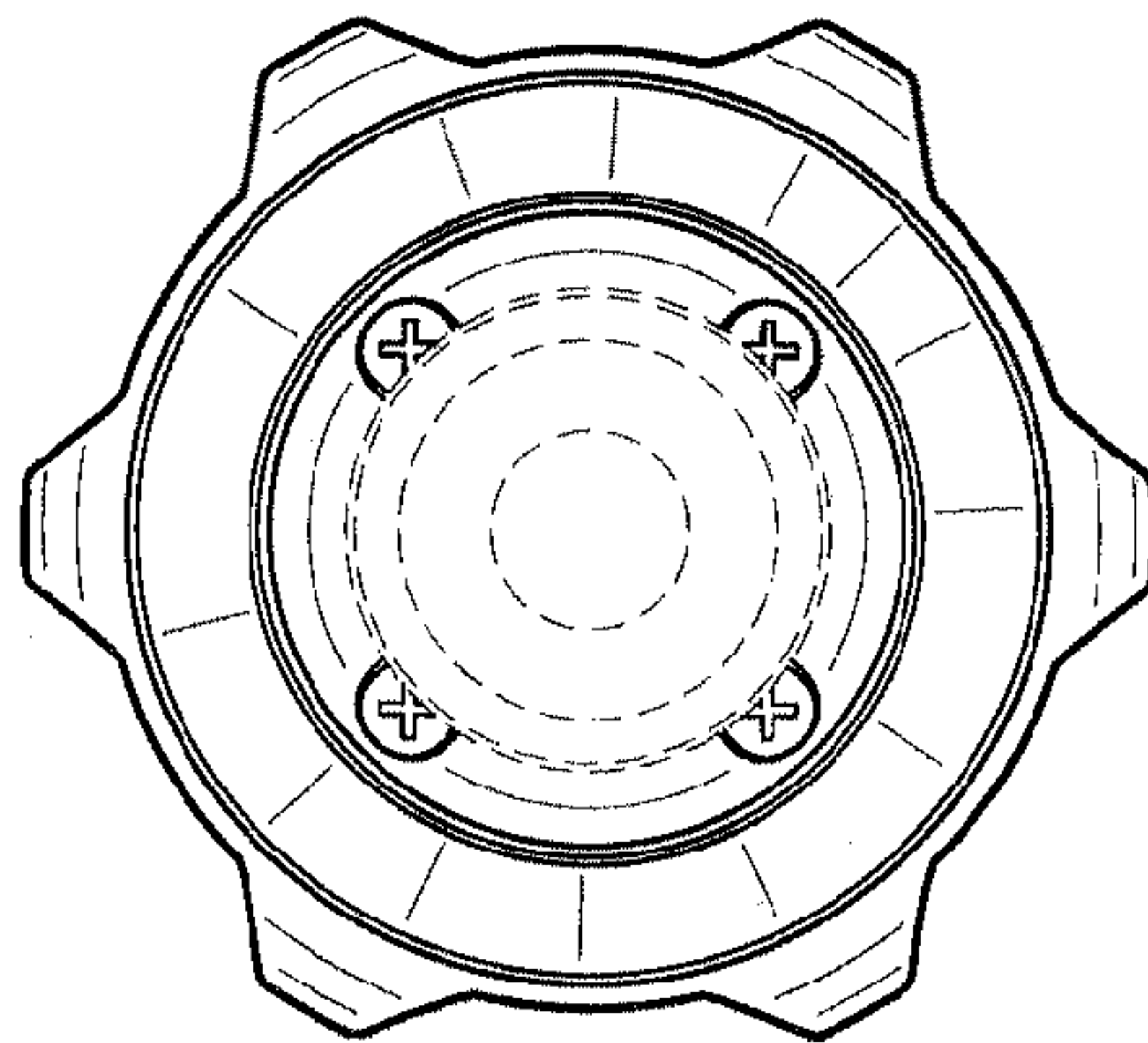


Figure 2

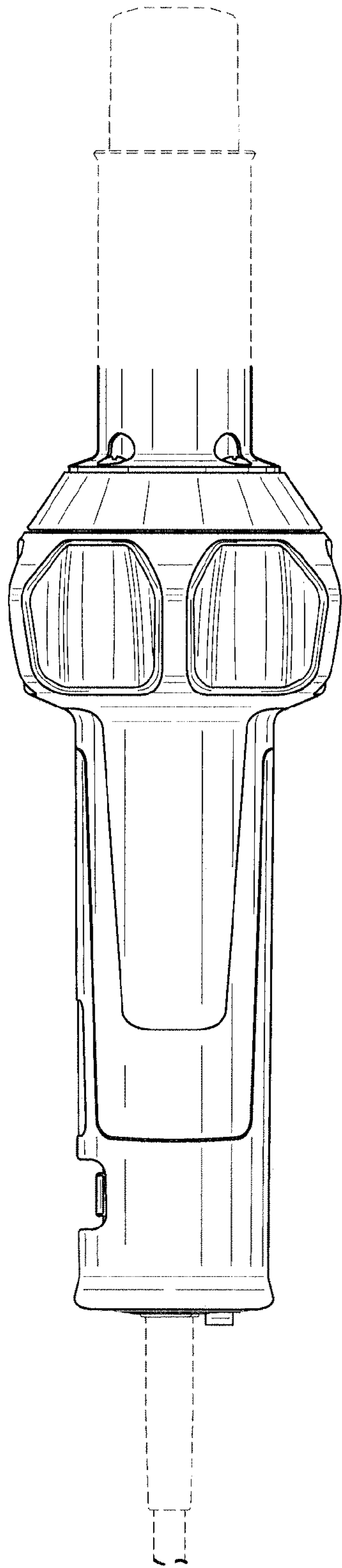


Figure 4

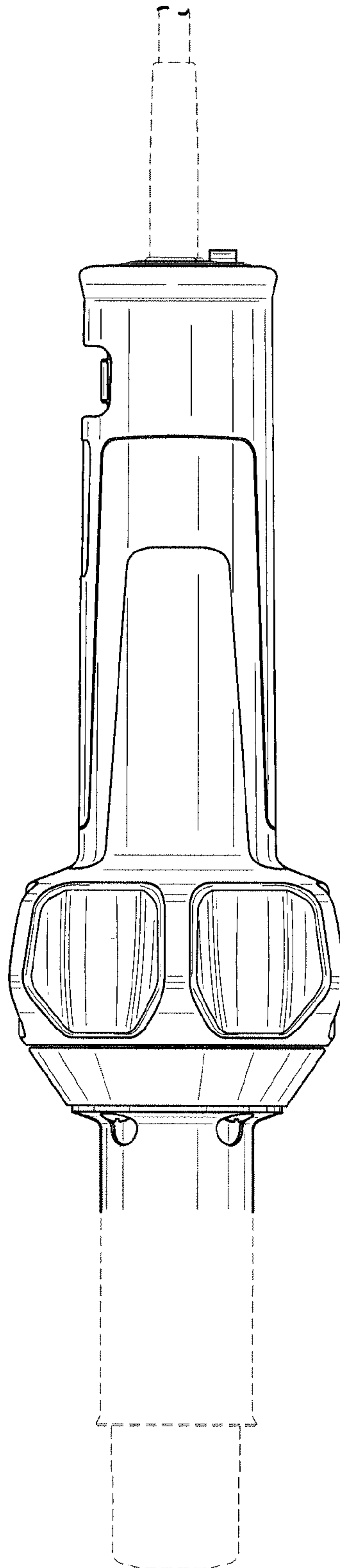


Figure 5

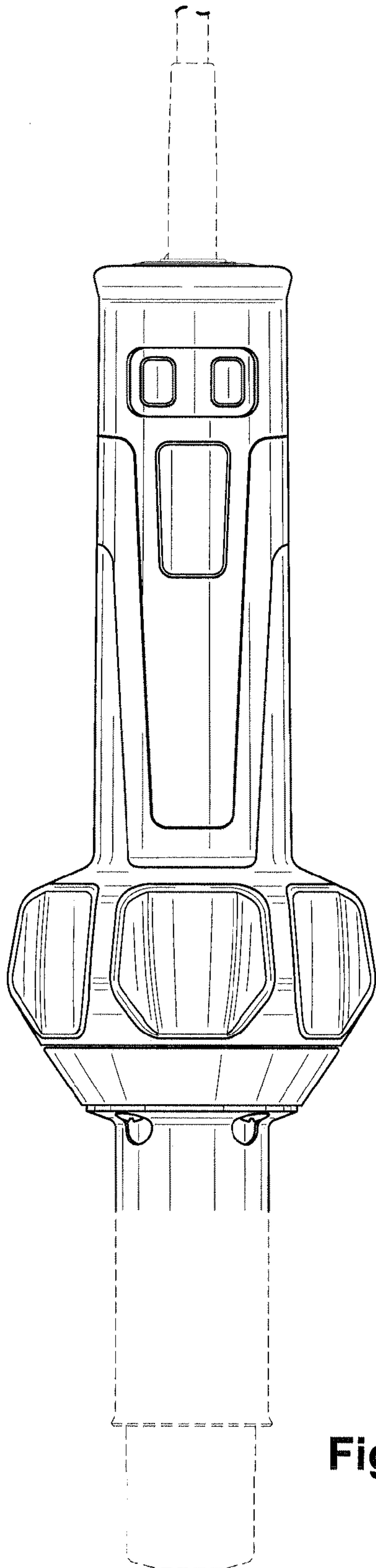


Figure 6

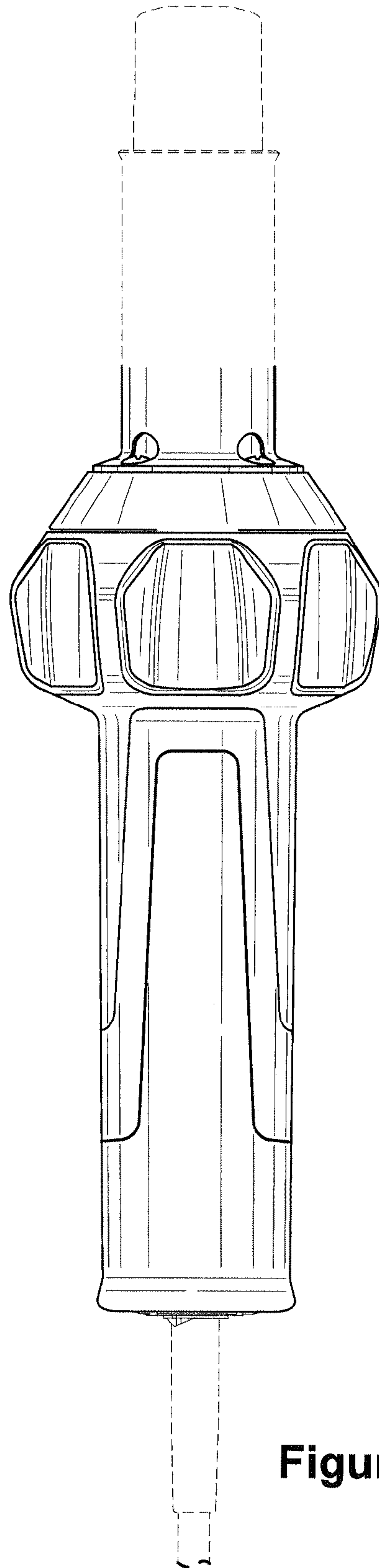


Figure 7