



US00D648604S

(12) **United States Design Patent**
Allred

(10) **Patent No.:** **US D648,604 S**

(45) **Date of Patent:** **** *Nov. 15, 2011**

(54) **HOLDER**

(74) *Attorney, Agent, or Firm* — MacCord Mason PLLC

(76) Inventor: **Lisa Allred**, Greensboro, NC (US)

(**) Term: **14 Years**

(57) **CLAIM**

The ornamental design for a holder, as shown and described.

(21) Appl. No.: **29/366,754**

(22) Filed: **Jul. 29, 2010**

(51) **LOC (9) Cl.** **06-04**

(52) **U.S. Cl.** **D7/704**

(58) **Field of Classification Search** D7/701–708,
D7/619.1–625, 601; D6/417, 403–405, 556–558;
47/42–47, 67, 68, 71, 41.1; D8/1; D11/143–145,
D11/148; 248/311.2, 146, 314, 125.1, 156,
248/304, 153

See application file for complete search history.

DESCRIPTION

FIG. 1 illustrates a perspective view of one embodiment of a ground-mounted holder for holding at least one of a wine glass, a cup, and a bowl (“holder”), wherein the holder includes a detachable secondary arm for holding at least another of a wine glass, a cup, and a bowl. In FIG. 1, the detachable secondary arm is shown engaged with the holder. FIG. 2 illustrates a perspective view of the holder shown in FIG. 1, in an alternate configuration, wherein the detachable secondary arm is disengaged from the holder.

FIG. 3 illustrates a top view of the holder shown in FIG. 1.

FIG. 4 illustrates a front view of the holder shown in FIG. 1.

FIG. 5 illustrates a perspective view of the holder shown in FIG. 1 in a different environment.

FIG. 6 illustrates a perspective view of another holder example; and,

FIG. 7 illustrates a perspective view of another holder example.

In FIGS. 1-7, the broken line showing of the holder mid-shaft, the relative size and shape of the detachable secondary arm, and the shape of the foot plate are for illustrating portions of the article and form no part of the claimed design.

In FIG. 5, the broken line showing of the wine glasses is for the purpose of illustrating environmental structure and form no part of the claimed design.

(56) **References Cited**

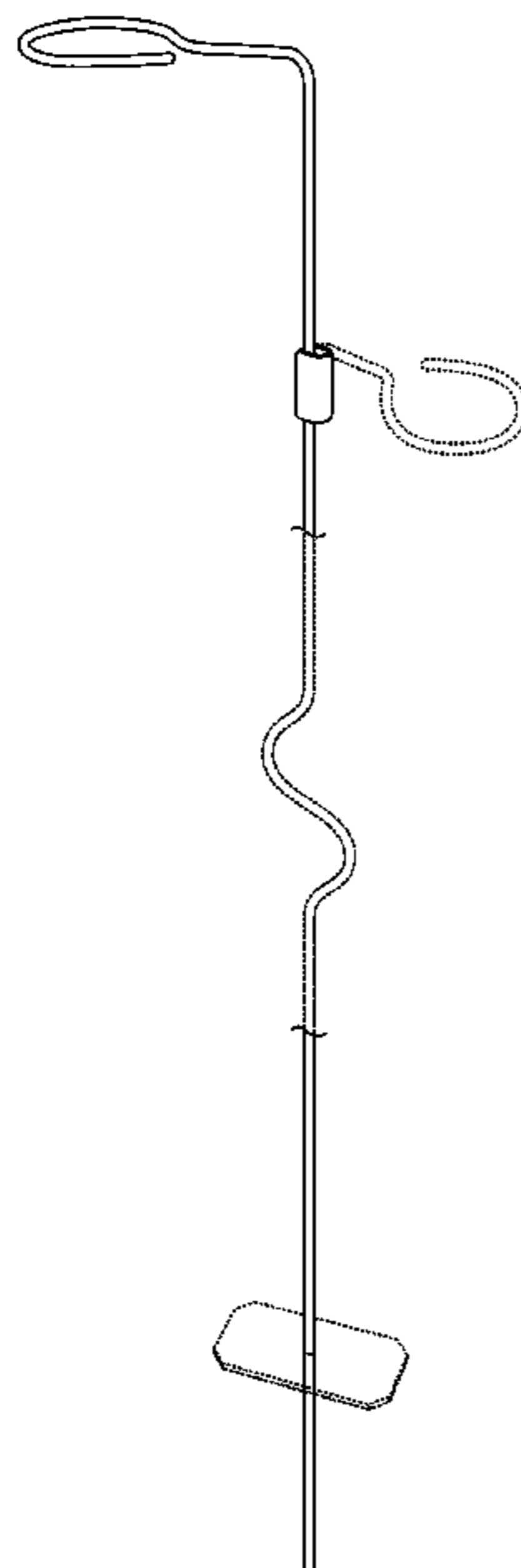
U.S. PATENT DOCUMENTS

2,520,818	A *	8/1950	Terry	248/153
D286,591	S *	11/1986	Russell	D6/417
D396,383	S	7/1998	Hanson	D7/620
6,575,417	B1 *	6/2003	Krommenakker	248/311.2
D476,513	S	7/2003	Lee	D6/501
6,736,358	B2	5/2004	Johnson	248/125.3
D490,659	S	6/2004	Gies	D7/620
7,207,450	B1	4/2007	Franklin et al.	211/205
D547,621	S *	7/2007	Ku	D7/704
D566,480	S *	4/2008	Lawler	D7/620
7,559,171	B2	7/2009	Bateman	43/21.1
D605,901	S *	12/2009	Price	D7/620
7,641,156	B2	1/2010	Medders et al.	248/125.8
7,641,157	B2	1/2010	Kirkendall	248/156
2002/0130236	A1	9/2002	Swensen	248/315
2005/0269474	A1	12/2005	Kazyaka	248/311.2

* cited by examiner

Primary Examiner — Terry A Wallace

1 Claim, 7 Drawing Sheets



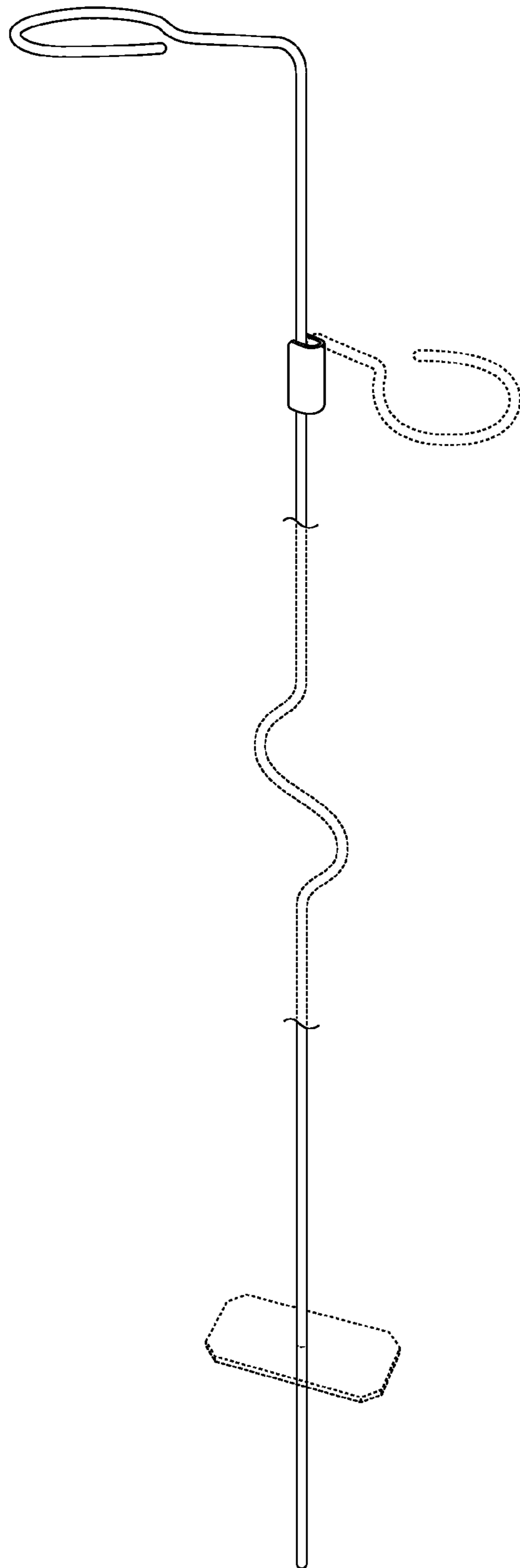


FIG. 1

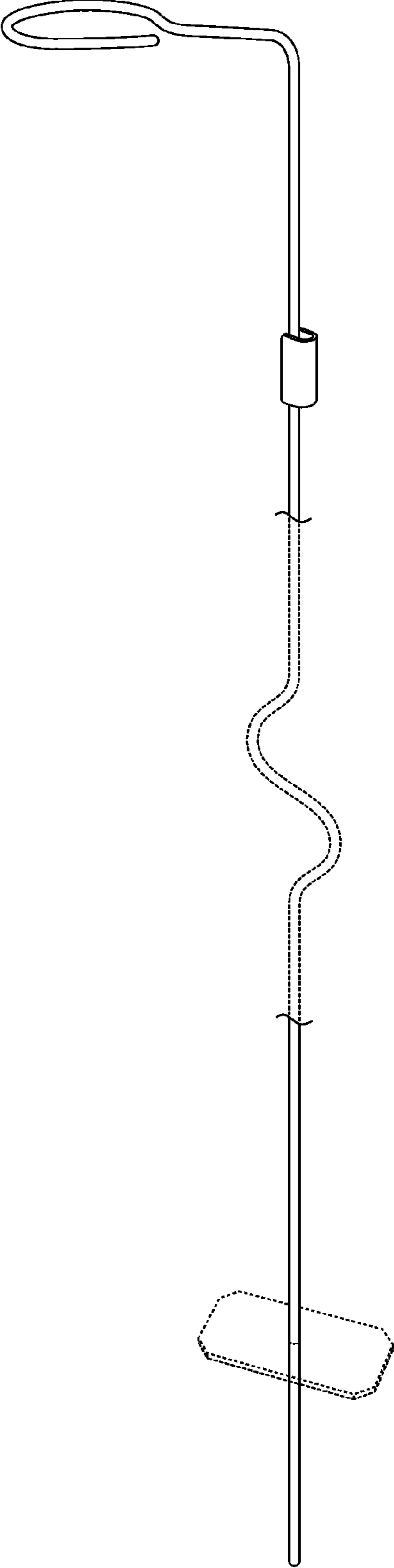


FIG. 2

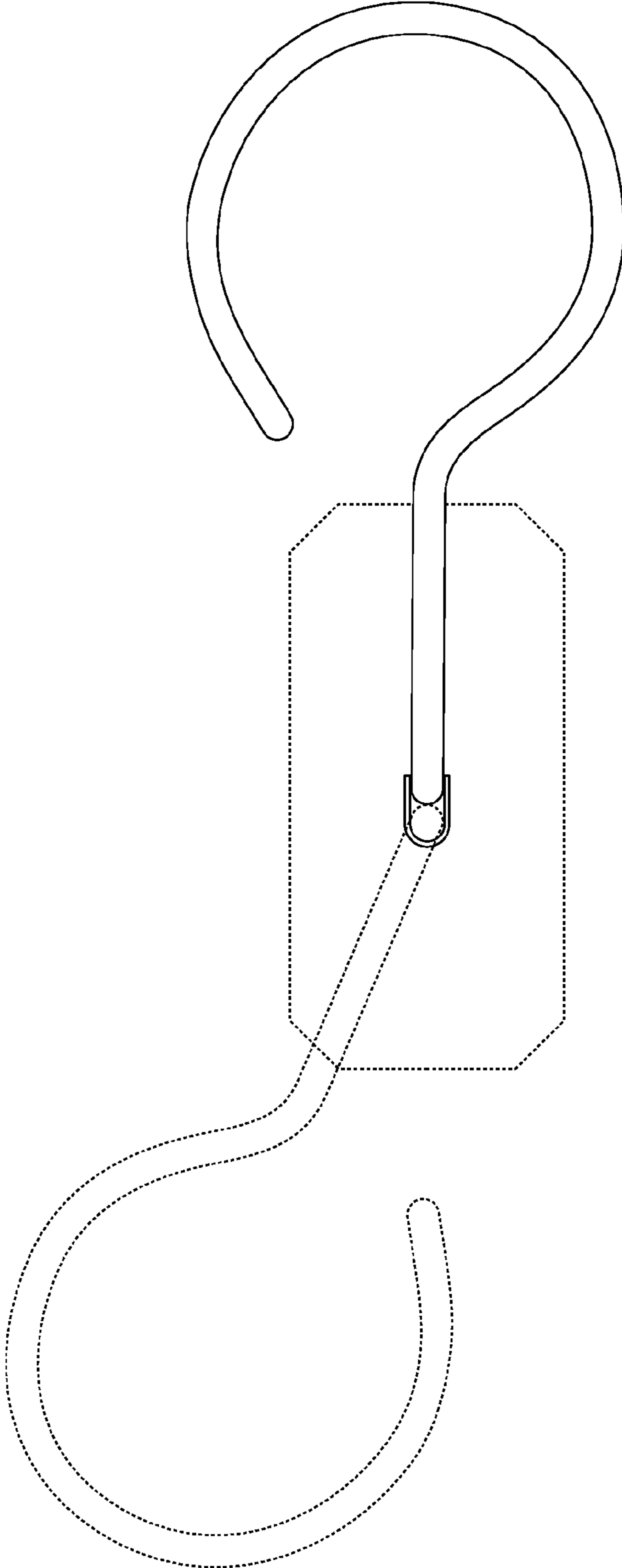


FIG. 3

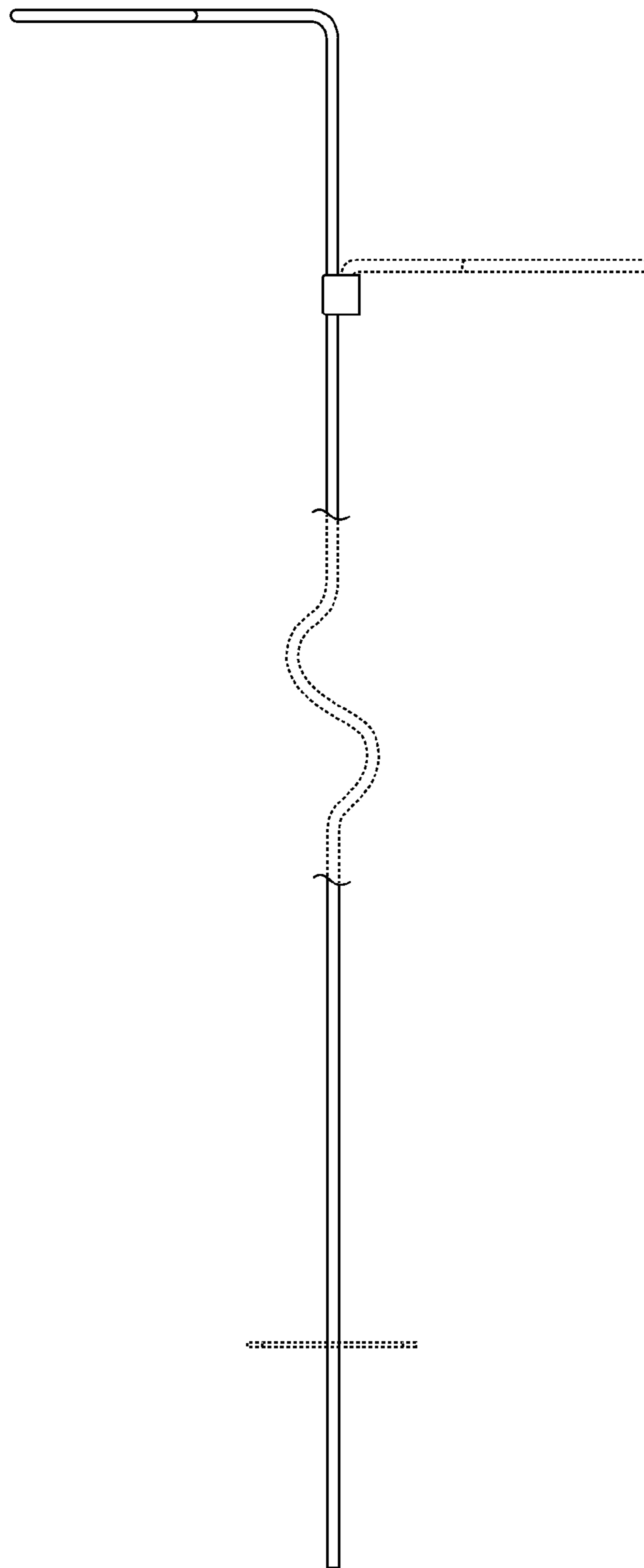


FIG. 4

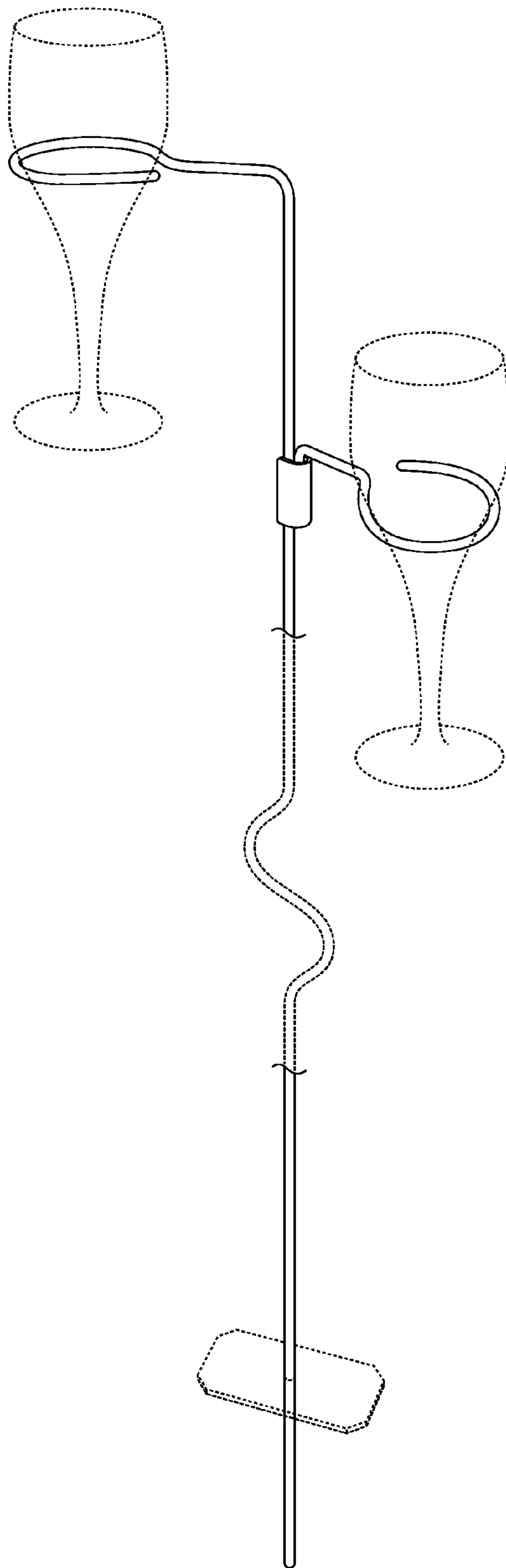


FIG. 5

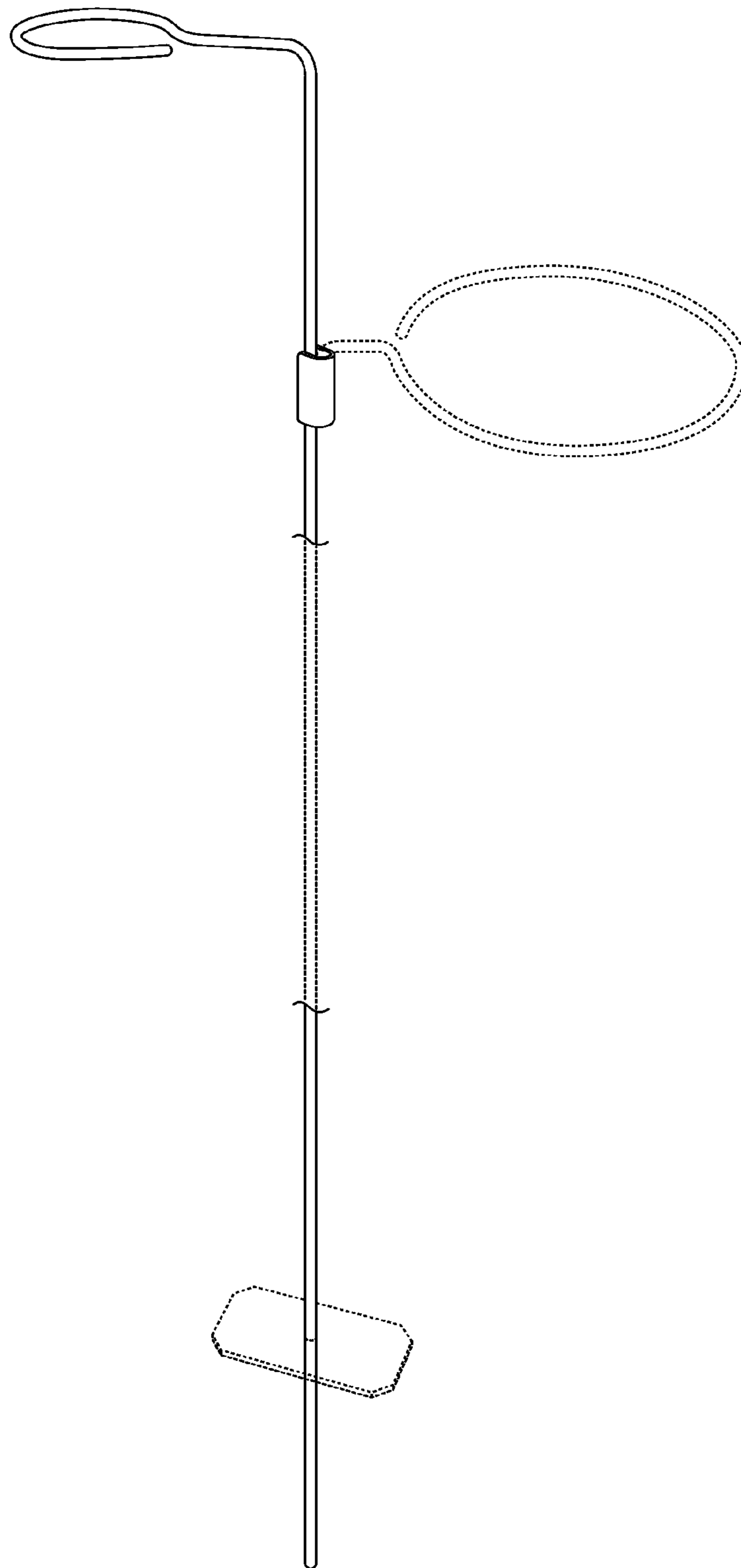


FIG. 6

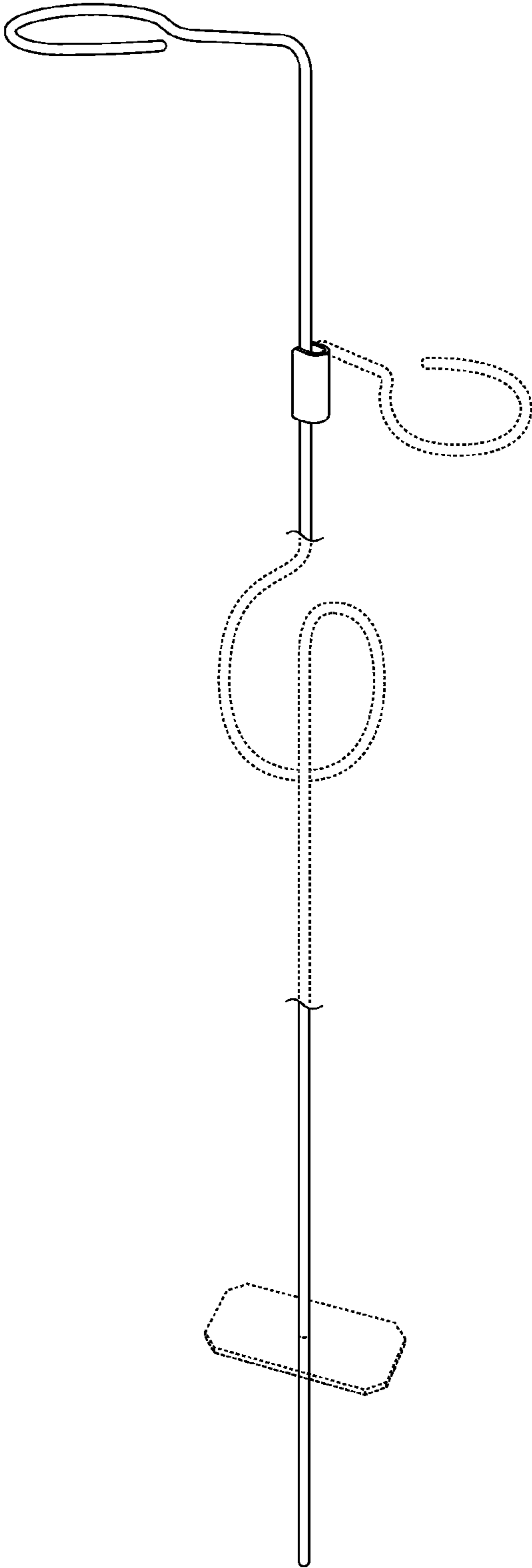


FIG. 7