



US00D648592S

(12) **United States Design Patent**
Bodum

(10) **Patent No.:** **US D648,592 S**

(45) **Date of Patent:** **** Nov. 15, 2011**

- (54) **CARAFE, JUG, DISPENSER**
- (75) Inventor: **Jorgen Bodum**, Meggen (CH)
- (73) Assignee: **Pi-Design AG**, Triengen (CH)
- (**) Term: **14 Years**
- (21) Appl. No.: **29/360,936**
- (22) Filed: **May 3, 2010**

D553,419 S *	10/2007	Bodum	D7/319
D555,416 S *	11/2007	Bodum	D7/317
D587,059 S *	2/2009	Bodum	D7/319
D587,513 S *	3/2009	Bodum	D7/319
D587,514 S *	3/2009	Bodum	D7/319
D603,647 S *	11/2009	Bodum	D7/318
D605,455 S *	12/2009	Bodum	D7/318
D620,303 S *	7/2010	Mondragon et al.	D7/317
D621,648 S *	8/2010	Lown et al.	D7/316
D633,324 S *	3/2011	Mondragon et al.	D7/317
D640,084 S *	6/2011	Sheppard et al.	D7/316

(30) **Foreign Application Priority Data**

Nov. 2, 2009 (WO) 519 606 801

- (51) **LOC (9) Cl.** **07-01**
 - (52) **U.S. Cl.** **D7/317; D7/319**
 - (58) **Field of Classification Search** D7/316,
D7/317, 318, 319, 598, 607, 624.2, 300, 600;
D9/505; 222/472, 475.1
- See application file for complete search history.

(56) **References Cited**

U.S. PATENT DOCUMENTS

3,212,686 A *	10/1965	Di Pierro et al.	222/472
D217,734 S *	6/1970	Abramson et al.	D7/317
D218,354 S *	8/1970	Kikuchi	D7/317
D223,465 S *	4/1972	DePuy	D7/317
D232,687 S *	9/1974	Reyda	D7/317
D248,917 S *	8/1978	Kikuchi	D7/321
D283,584 S *	4/1986	Morin	D7/317
4,993,603 A *	2/1991	Polhemus	222/472
D343,983 S *	2/1994	Tardif	D7/319
5,515,995 A *	5/1996	Allen et al.	220/592.16
D382,769 S *	8/1997	Jeppesen et al.	D7/392.1
D445,293 S *	7/2001	Lillelund et al.	D7/319
D524,157 S *	7/2006	Bolden	D9/444
D530,968 S *	10/2006	Bodum	D7/300.1

OTHER PUBLICATIONS

Bodum Catalogue 2009, p. 84.

* cited by examiner

Primary Examiner — Marianne Pandozzi

(74) *Attorney, Agent, or Firm* — Sughrue Mion, PLLC

(57) **CLAIM**

The ornamental design for a carafe, jug, dispenser, as shown and described.

DESCRIPTION

FIG. 1 is a perspective view of a jug that is the subject of my invention;

FIG. 2 is a right elevation view of the jug;

FIG. 3 is a left elevation view of the jug;

FIG. 4 is a front elevation view of the jug;

FIG. 5 is a back elevation view of the jug;

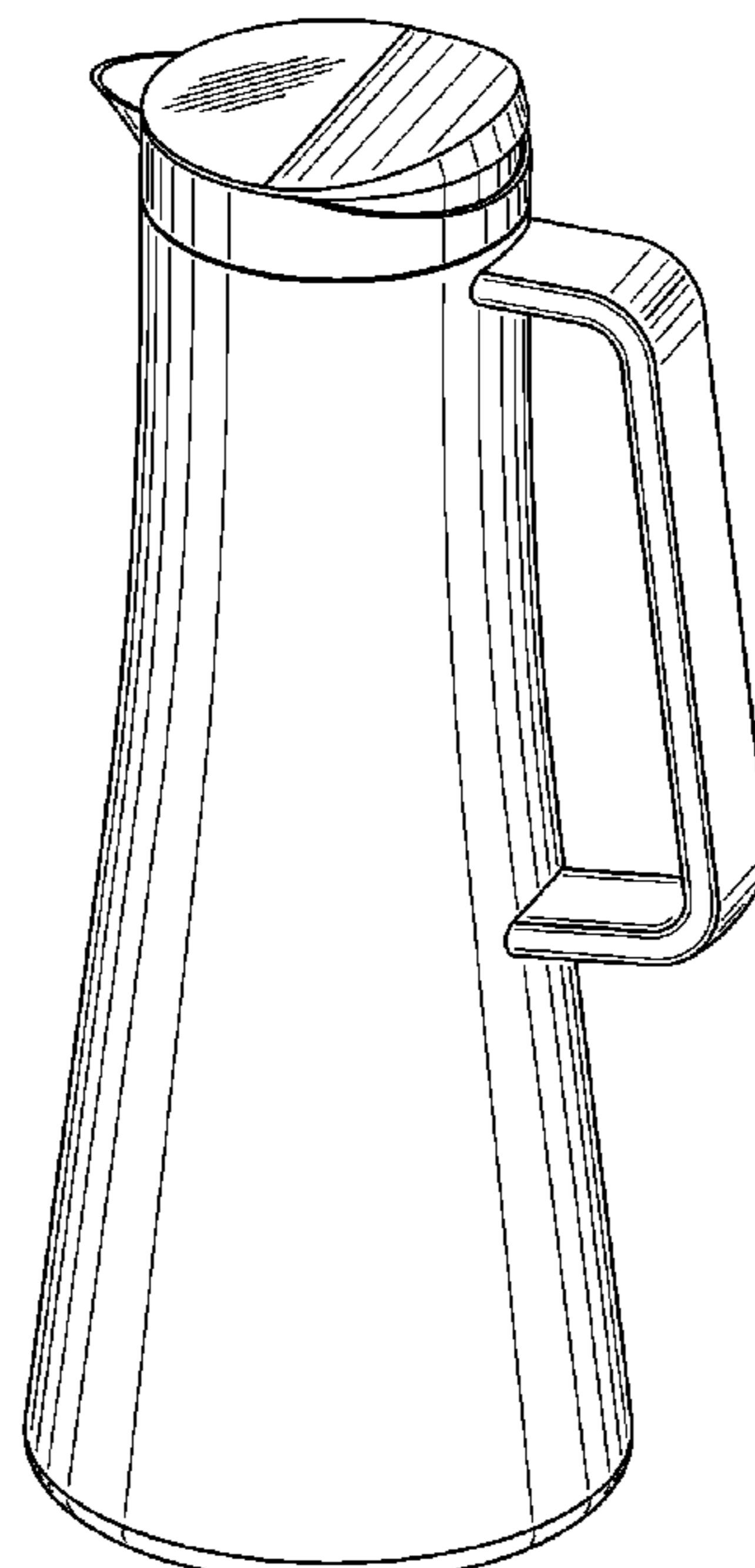
FIG. 6 is a top view of the jug;

FIG. 7 is a bottom view of the jug;

FIG. 8 is a perspective view of the jug with the lid in an open position; and,

FIG. 9 is a right side elevation view of the jug with the lid in an open position.

1 Claim, 9 Drawing Sheets



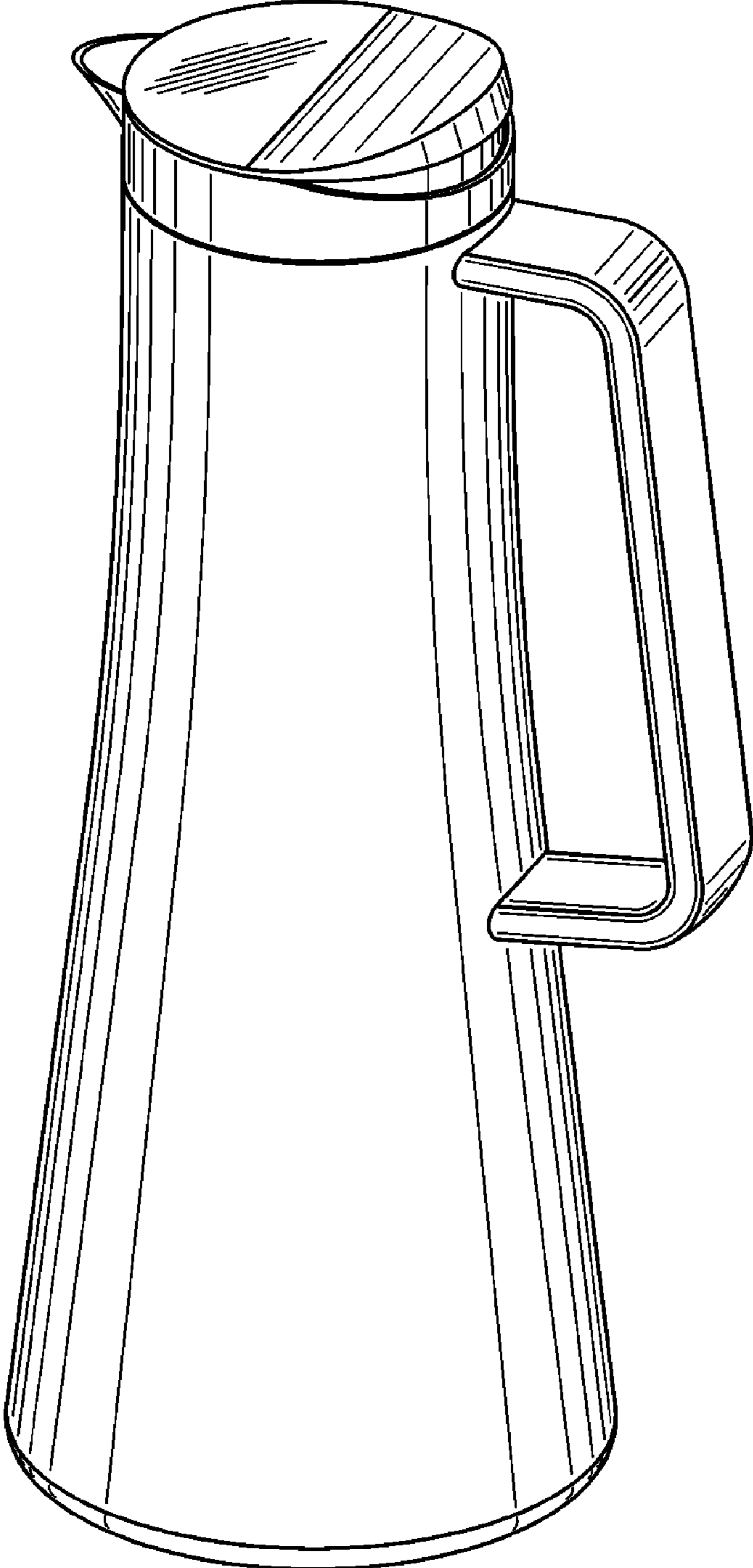


FIG. 1

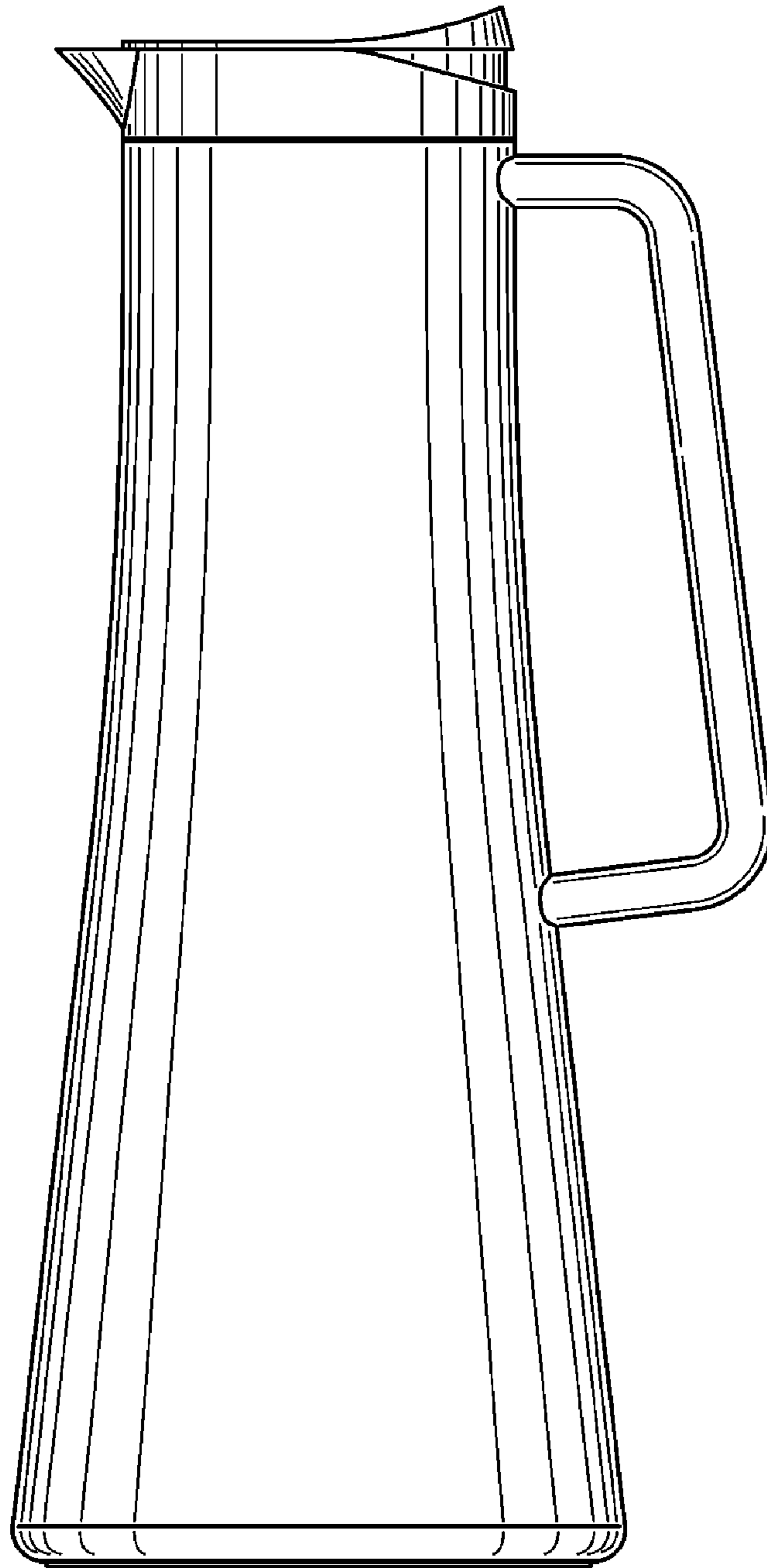


FIG. 2

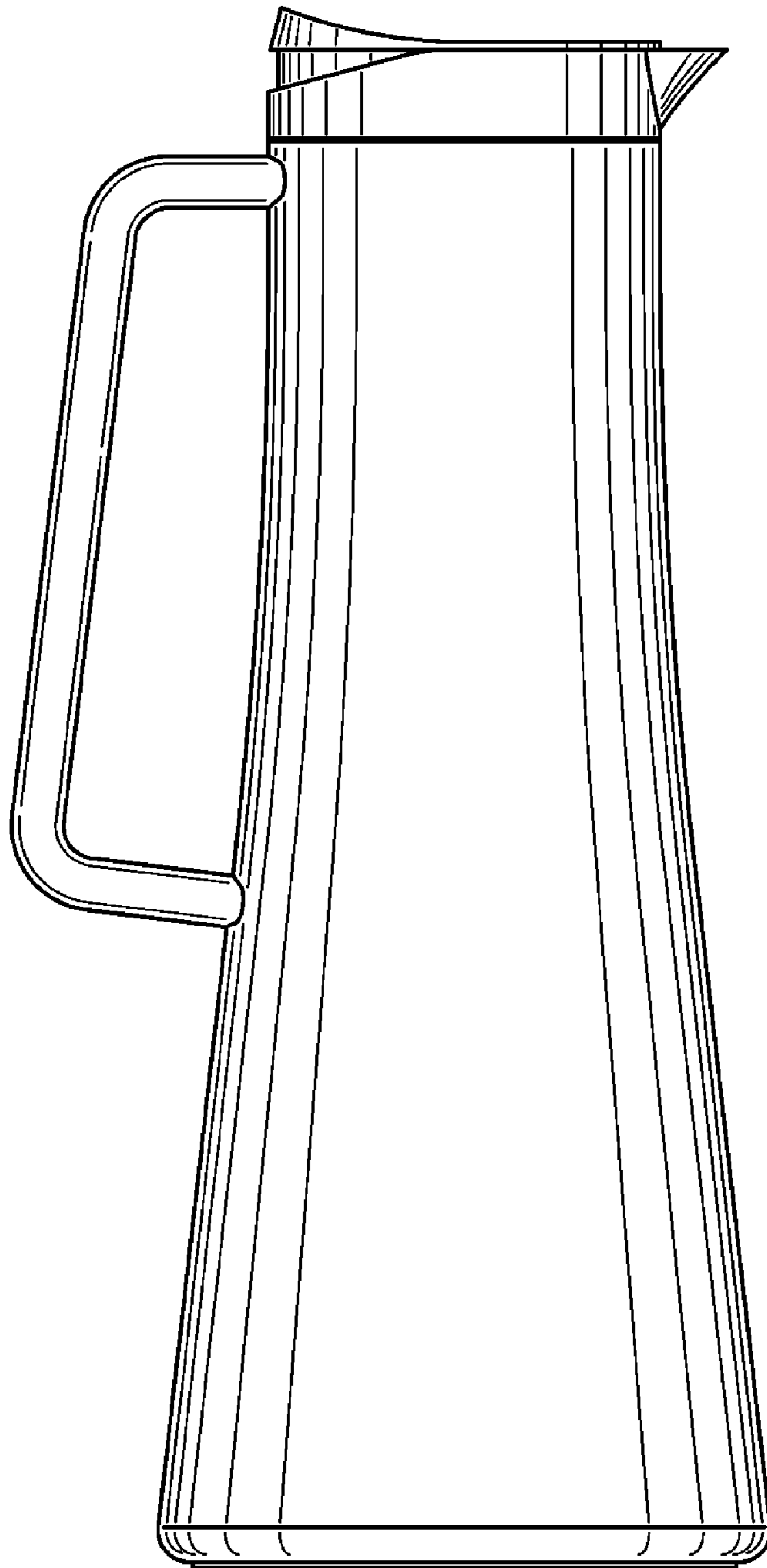


FIG. 3

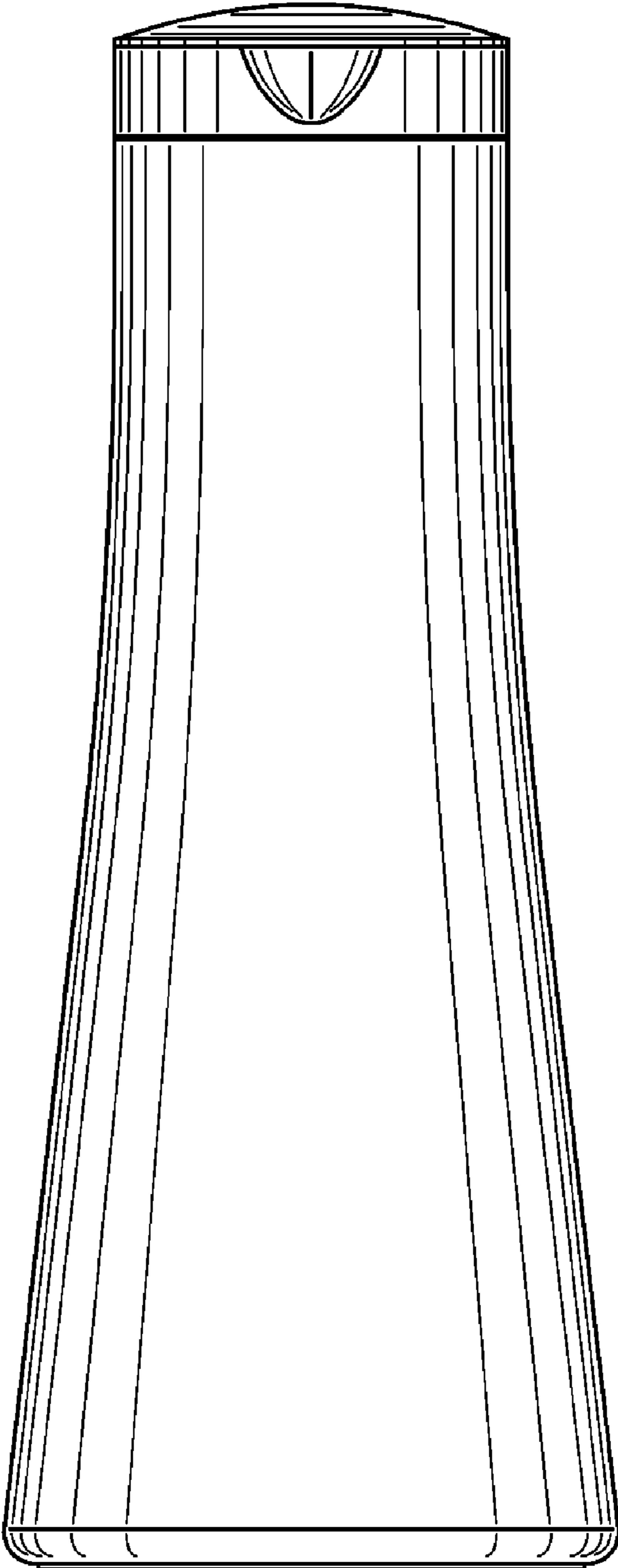


FIG. 4

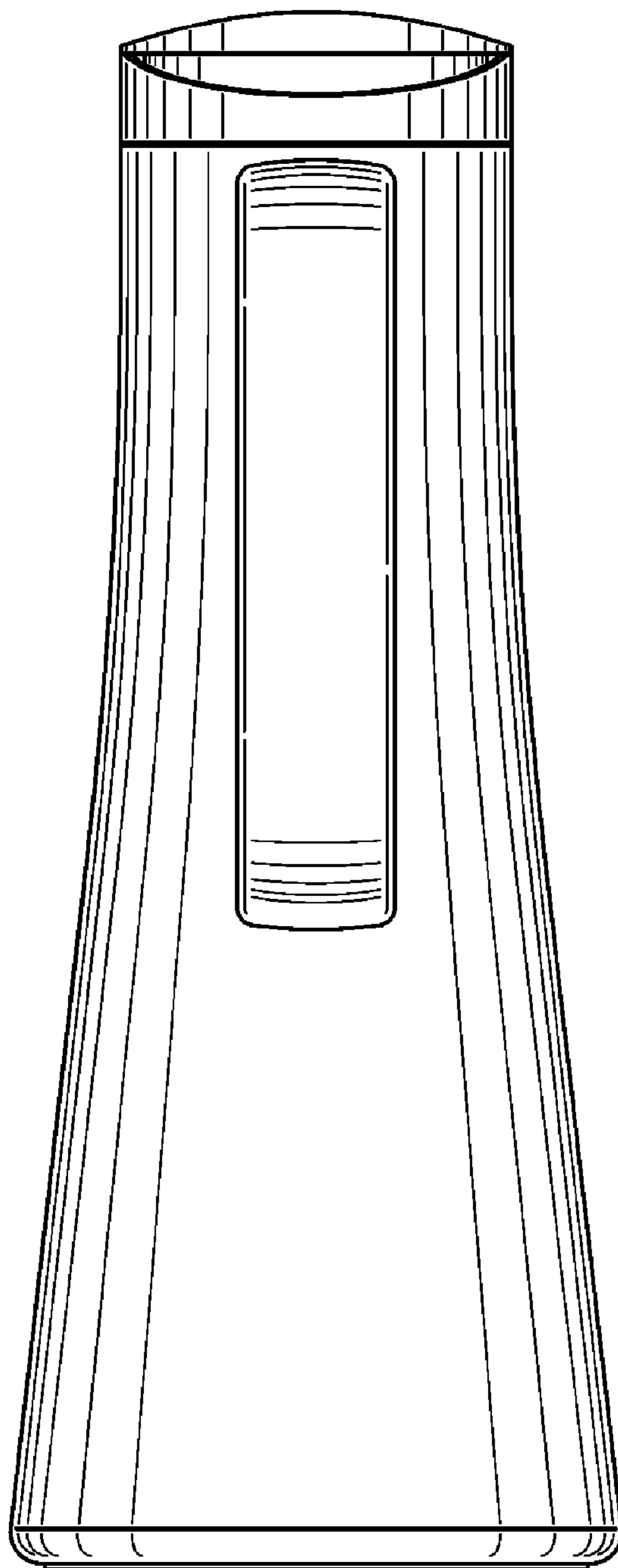


FIG. 5

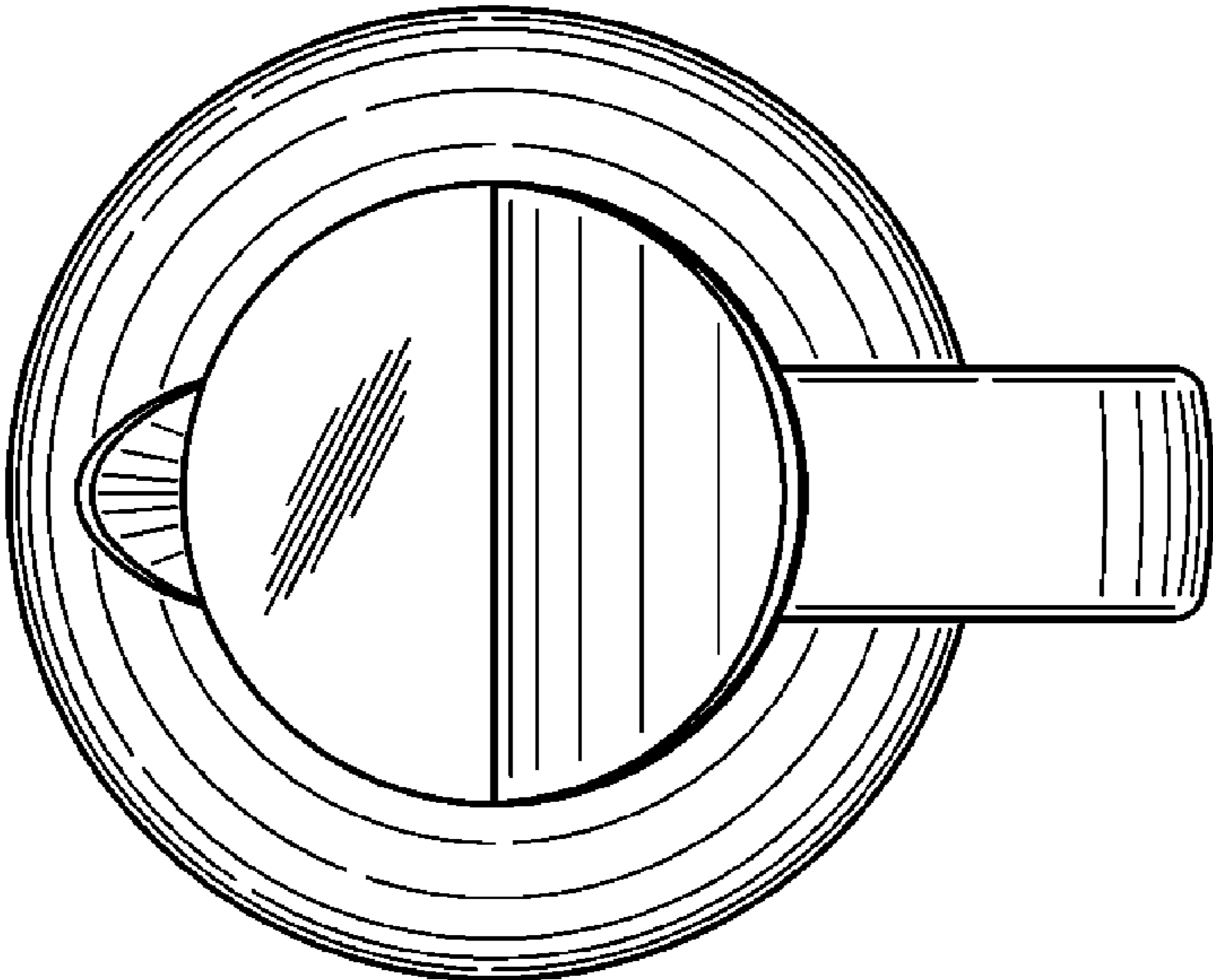


FIG. 6

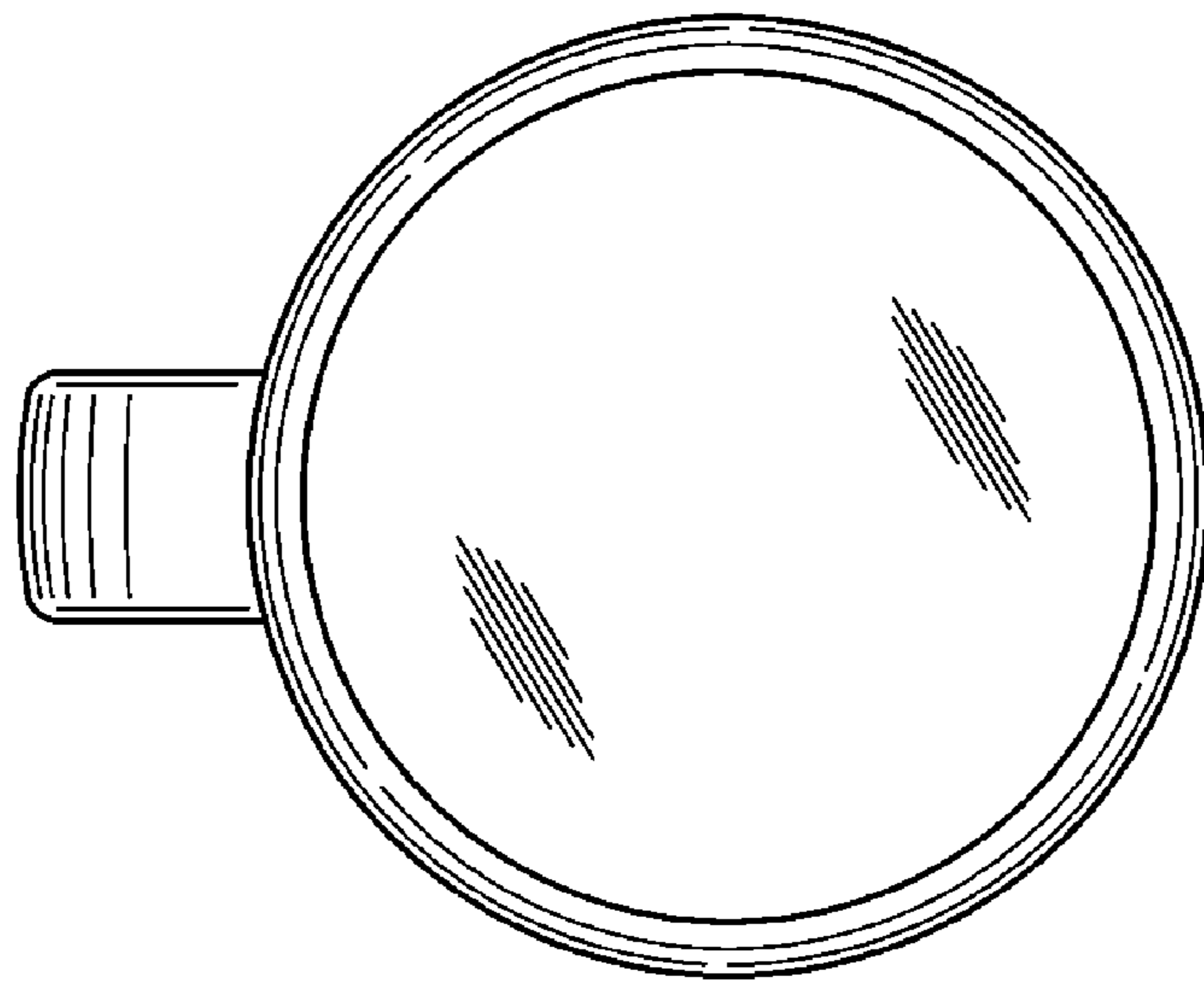


FIG. 7

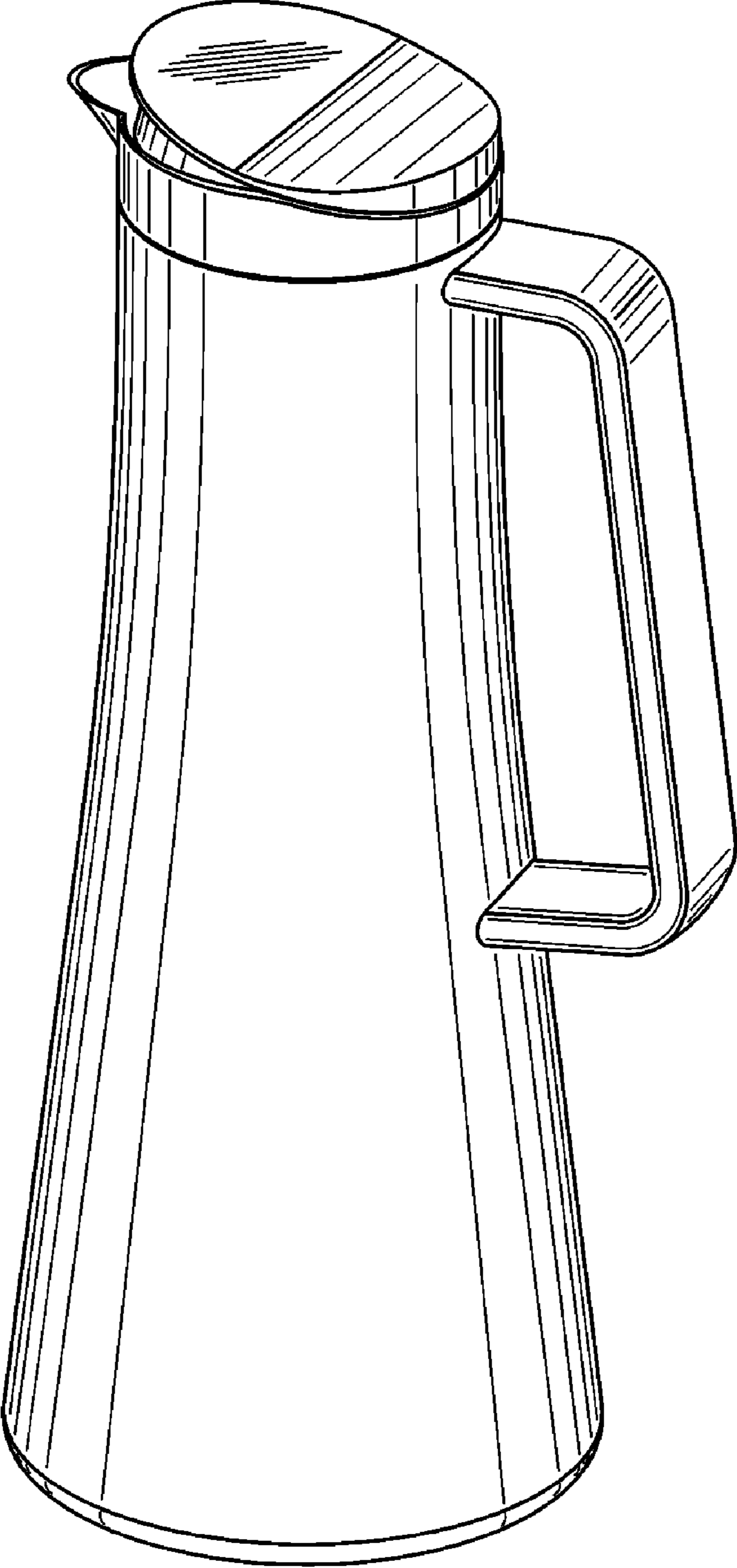


FIG. 8

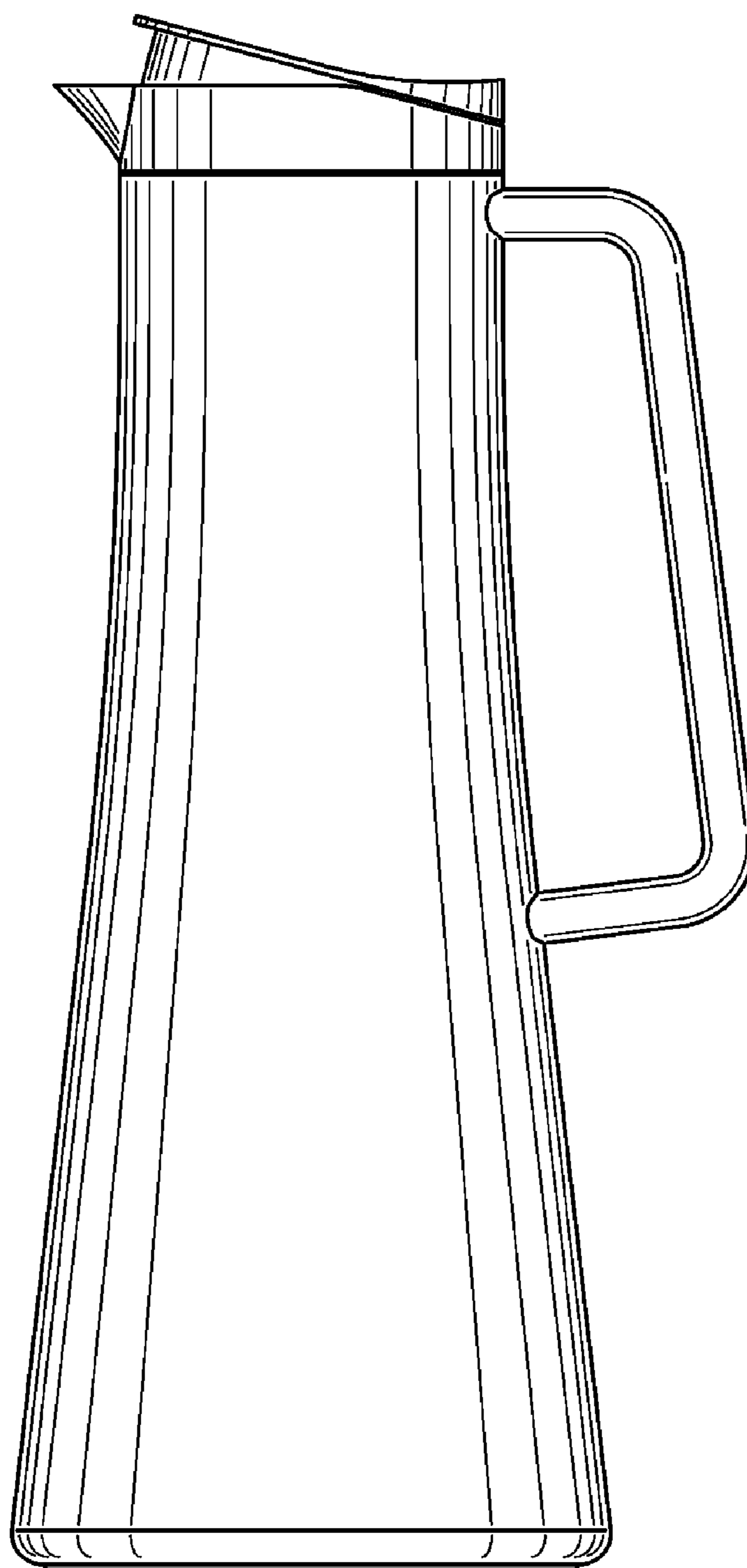


FIG. 9