



US00D648590S

(12) **United States Design Patent**
Rice Golin

(10) **Patent No.:** **US D648,590 S**

(45) **Date of Patent:** **** Nov. 15, 2011**

(54) **CONVERTIBLE SEAT COVER WITH
TRANSPARENT SECTION**

(76) Inventor: **Melissa Rice Golin**, Palmeto Bay, FL
(US)

(**) Term: **14 Years**

(21) Appl. No.: **29/384,452**

(22) Filed: **Jan. 31, 2011**

(51) **LOC (9) Cl.** **06-13**

(52) **U.S. Cl.** **D6/611**

(58) **Field of Classification Search** D6/610,
D6/611, 445, 490, 596, 601, 602, 603, 615,
D6/617, 621; D7/306, 307; D12/401-405;
135/87, 88.01, 95; 150/165-167, 158, 154;
280/770; 296/136.01, 136.1, 136.11;
297/218-218.5, 219.1-229

See application file for complete search history.

(56) **References Cited**

U.S. PATENT DOCUMENTS

4,676,376	A *	6/1987	Keiswetter	206/494
D310,314	S *	9/1990	Caron	D6/611
5,150,945	A *	9/1992	Aupperlee et al.	297/184.13
5,403,066	A *	4/1995	Drum	297/219.1
5,618,082	A *	4/1997	Jachmich	297/229
6,079,784	A *	6/2000	Peachey	297/284.5

6,481,793	B1 *	11/2002	Horn	297/228.1
D586,168	S *	2/2009	Smith, Jr.	D6/611
D603,201	S *	11/2009	Corle	D6/611
D623,381	S *	9/2010	Flannery	D2/728
D633,323	S *	3/2011	Green	D6/611

* cited by examiner

Primary Examiner — Caron D Veynar

Assistant Examiner — Katrina Kile

(74) *Attorney, Agent, or Firm* — Albert Bordas, P.A.

(57) **CLAIM**

The ornamental design for a convertible seat cover with transparent section, as shown and described.

DESCRIPTION

FIG. 1 is a top plan view of a convertible seat cover with transparent section;

FIG. 2 is a front elevational view thereof;

FIG. 3 is a bottom view thereof;

FIG. 4 is a right elevational view thereof, the left elevational view being a mirror image thereof;

FIG. 5 is a rear elevational view thereof;

FIG. 6 is an isometric view thereof; and,

FIG. 7 is an isometric view thereof, showing my design being used as a back sack/ tote bag.

The broken lines are for environmental purposes only and form no part of the claimed design.

1 Claim, 3 Drawing Sheets

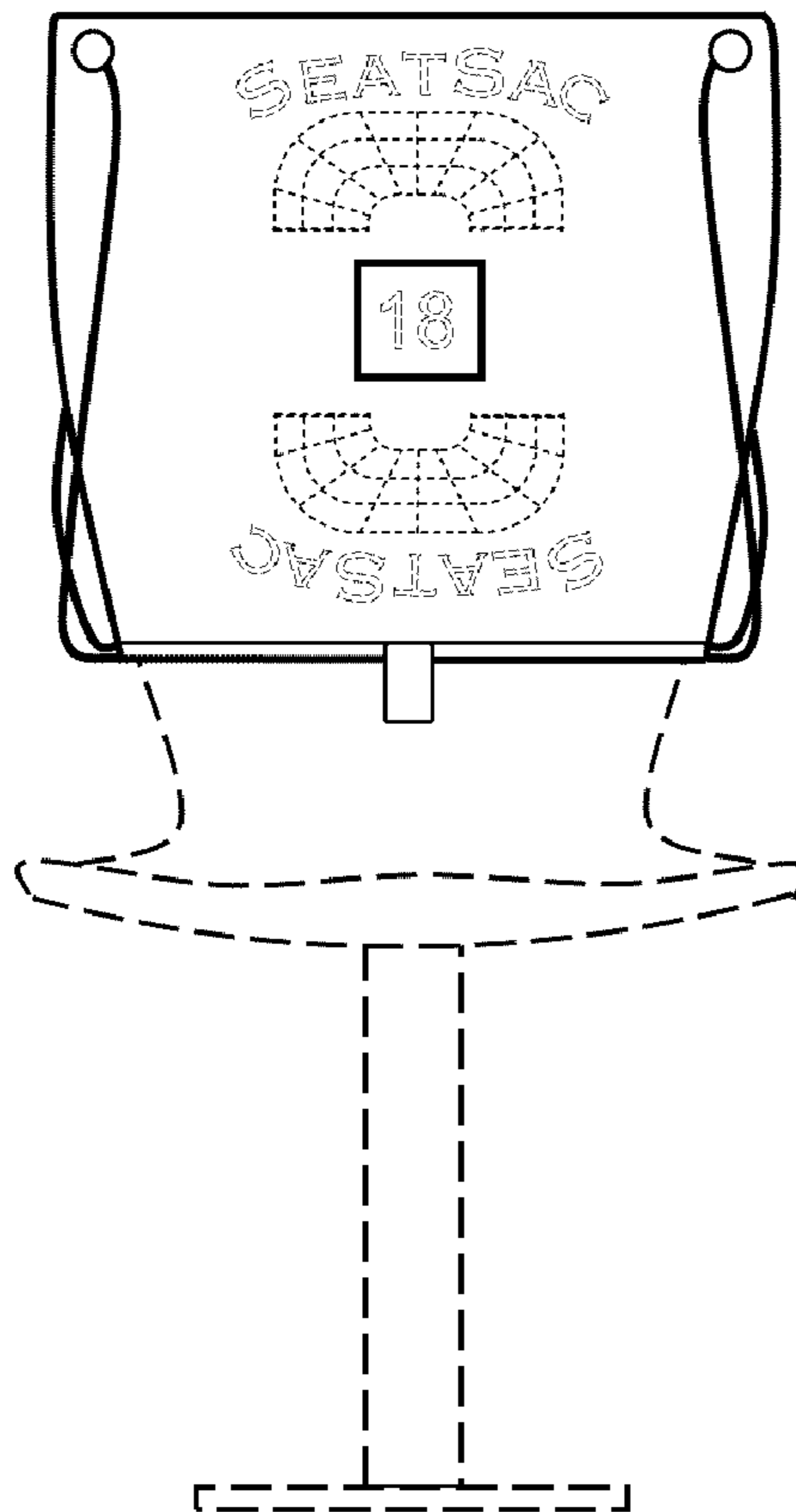


Fig. 1

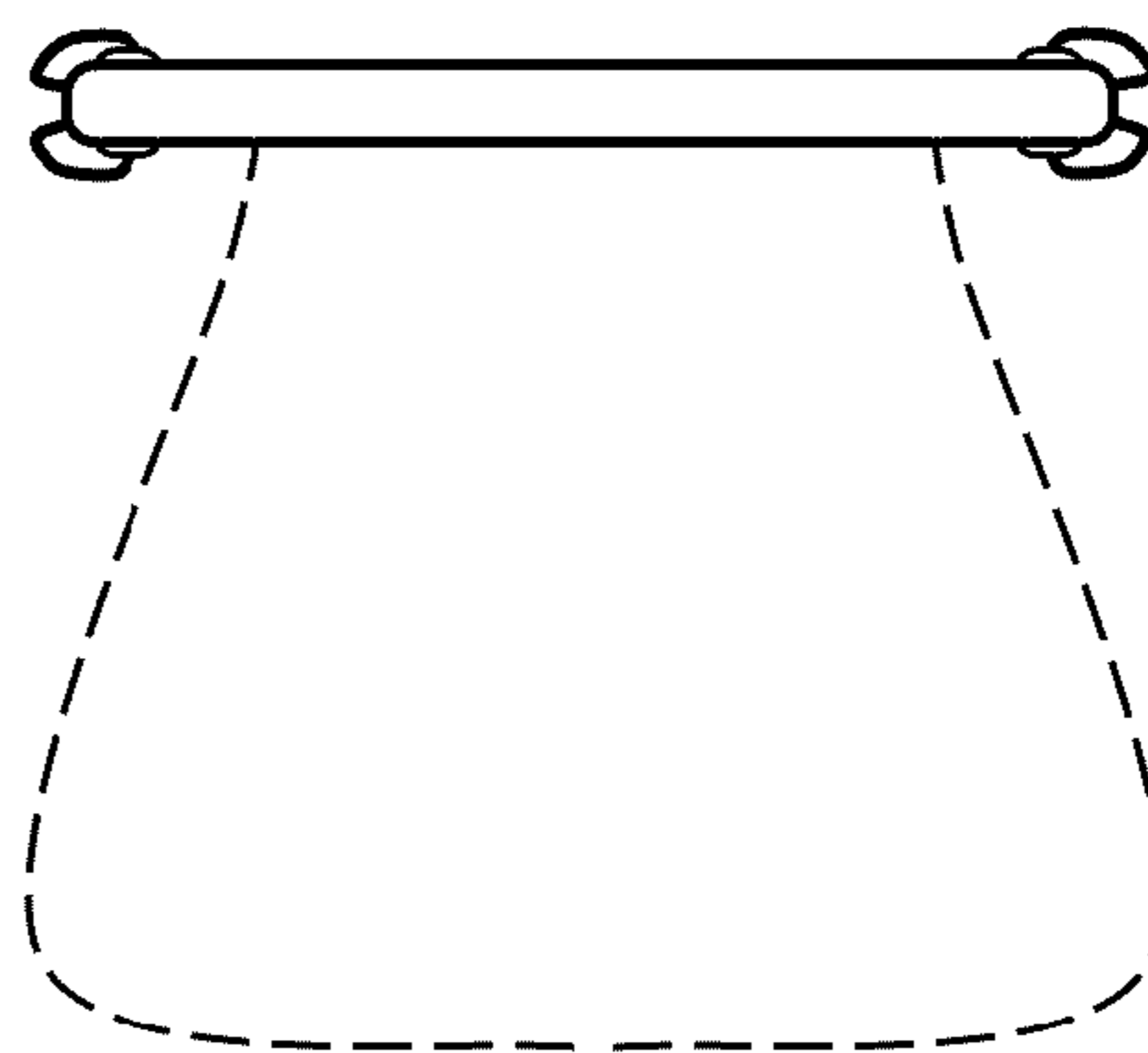


Fig. 2

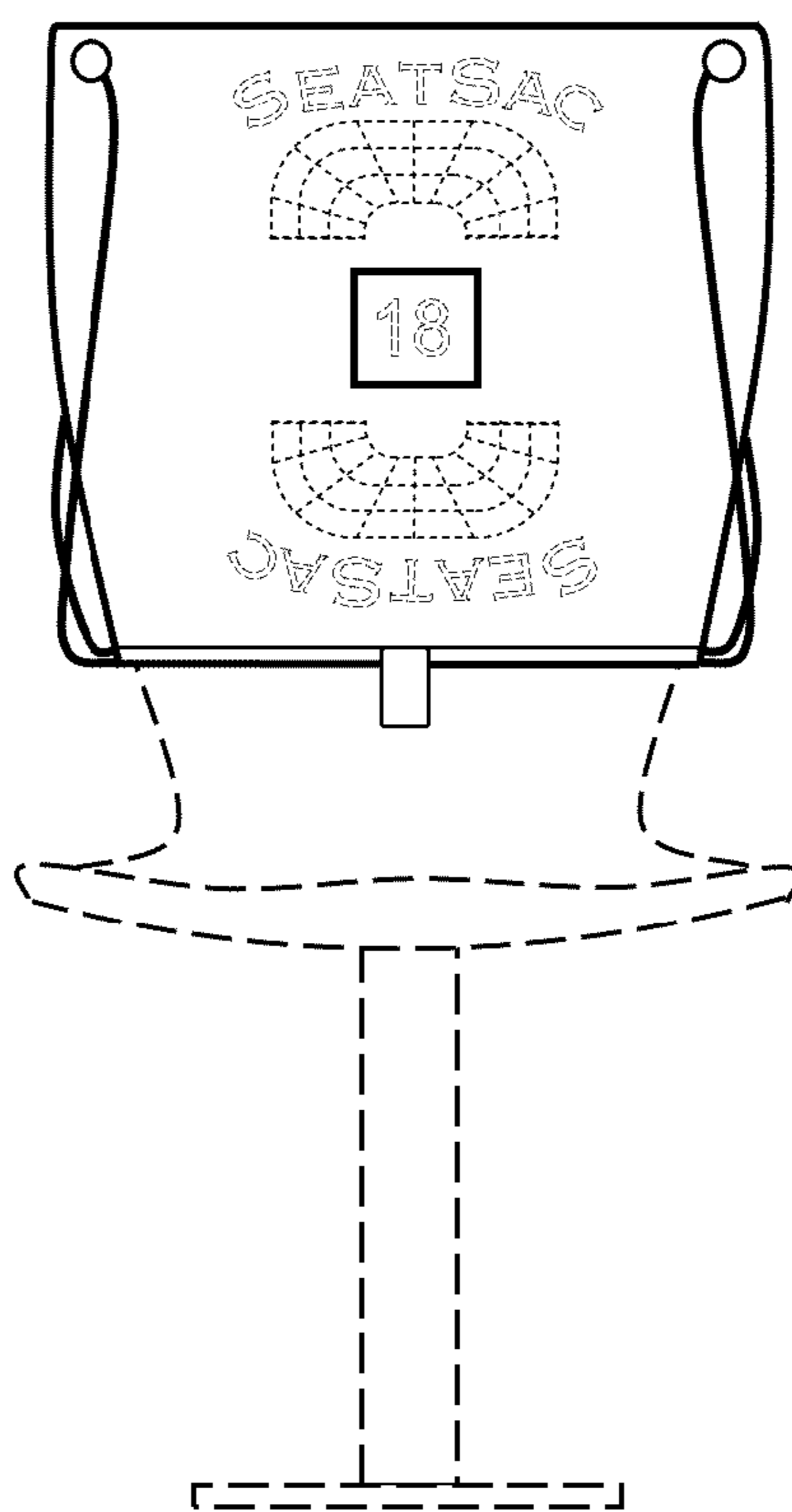


Fig. 3

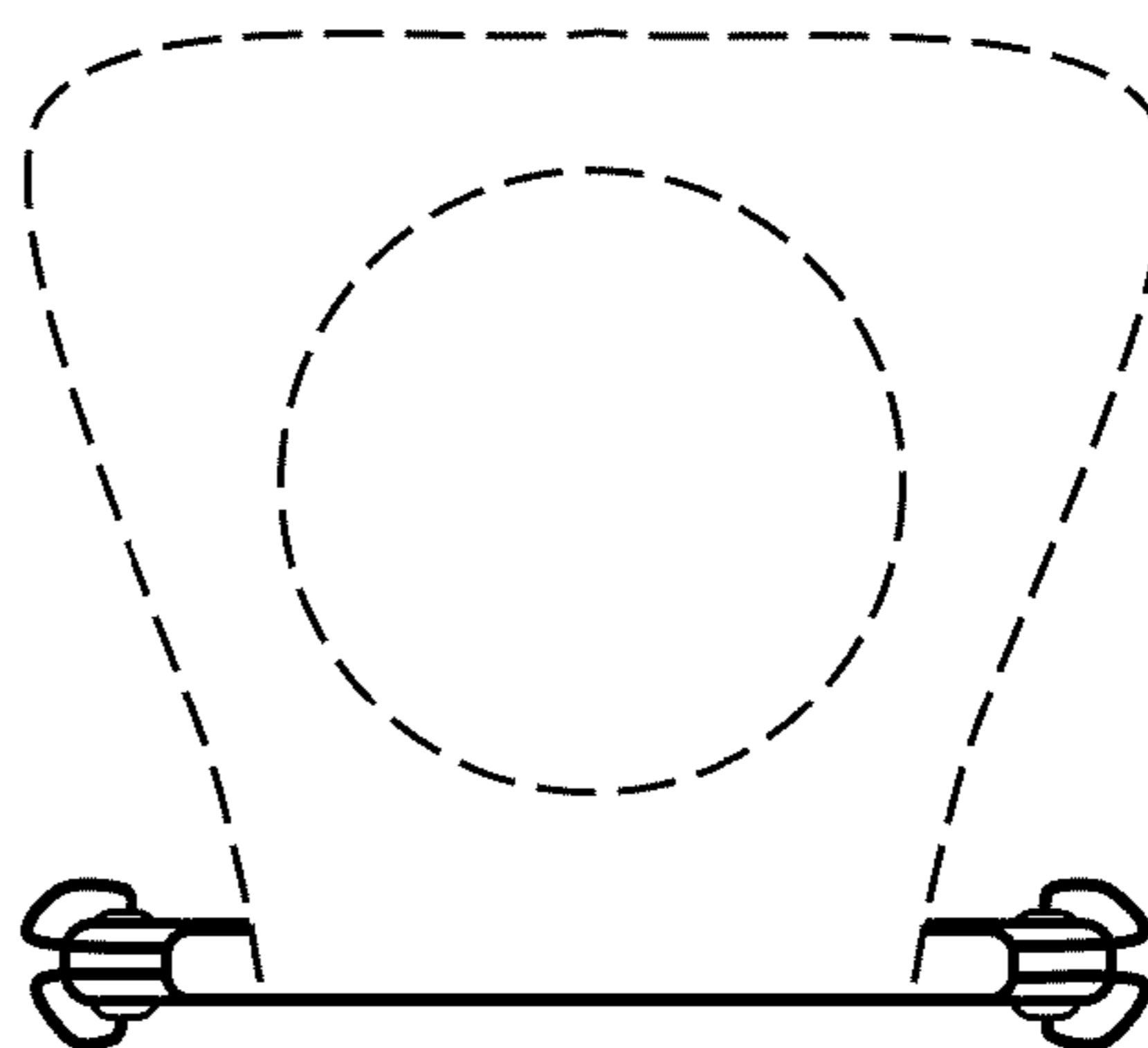


Fig. 4

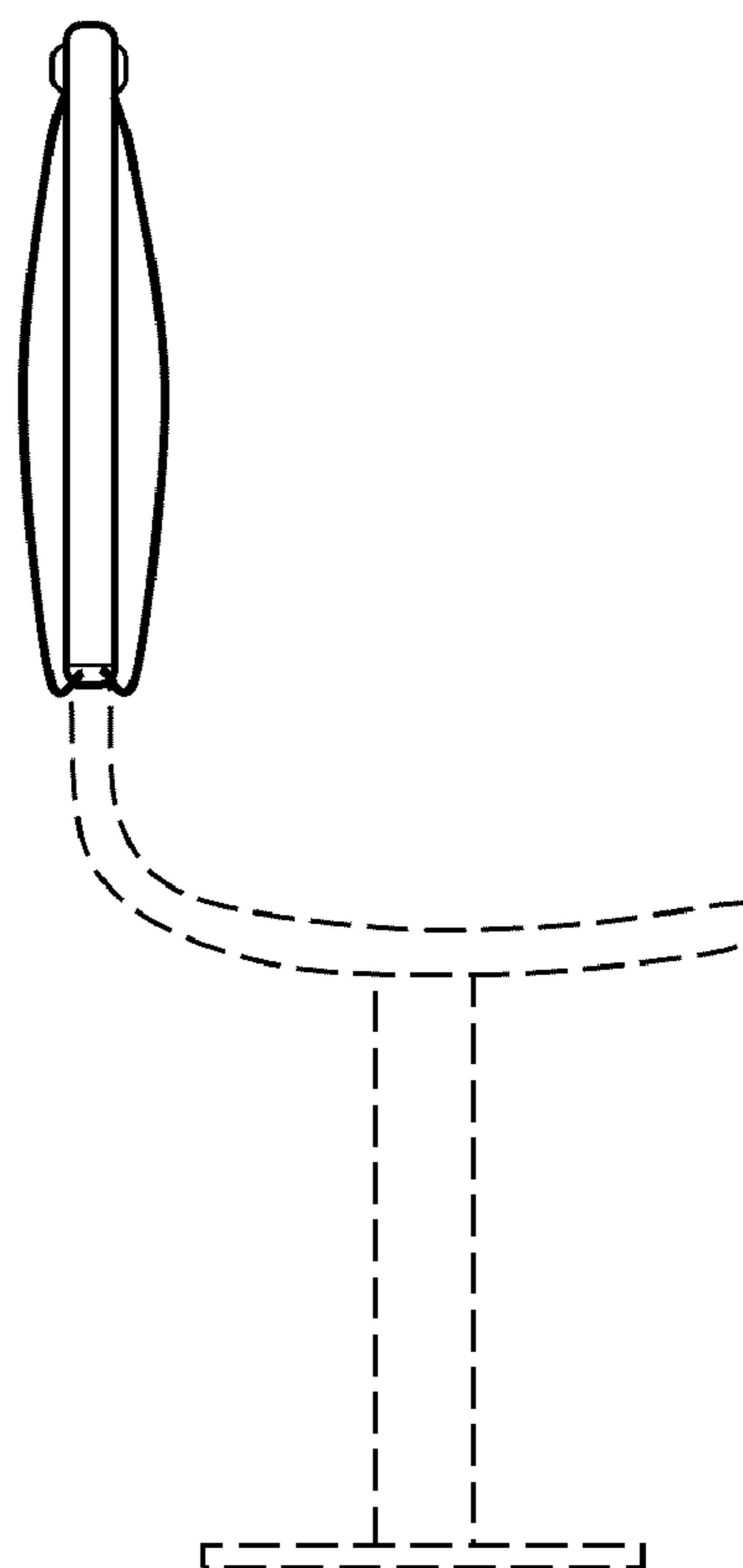
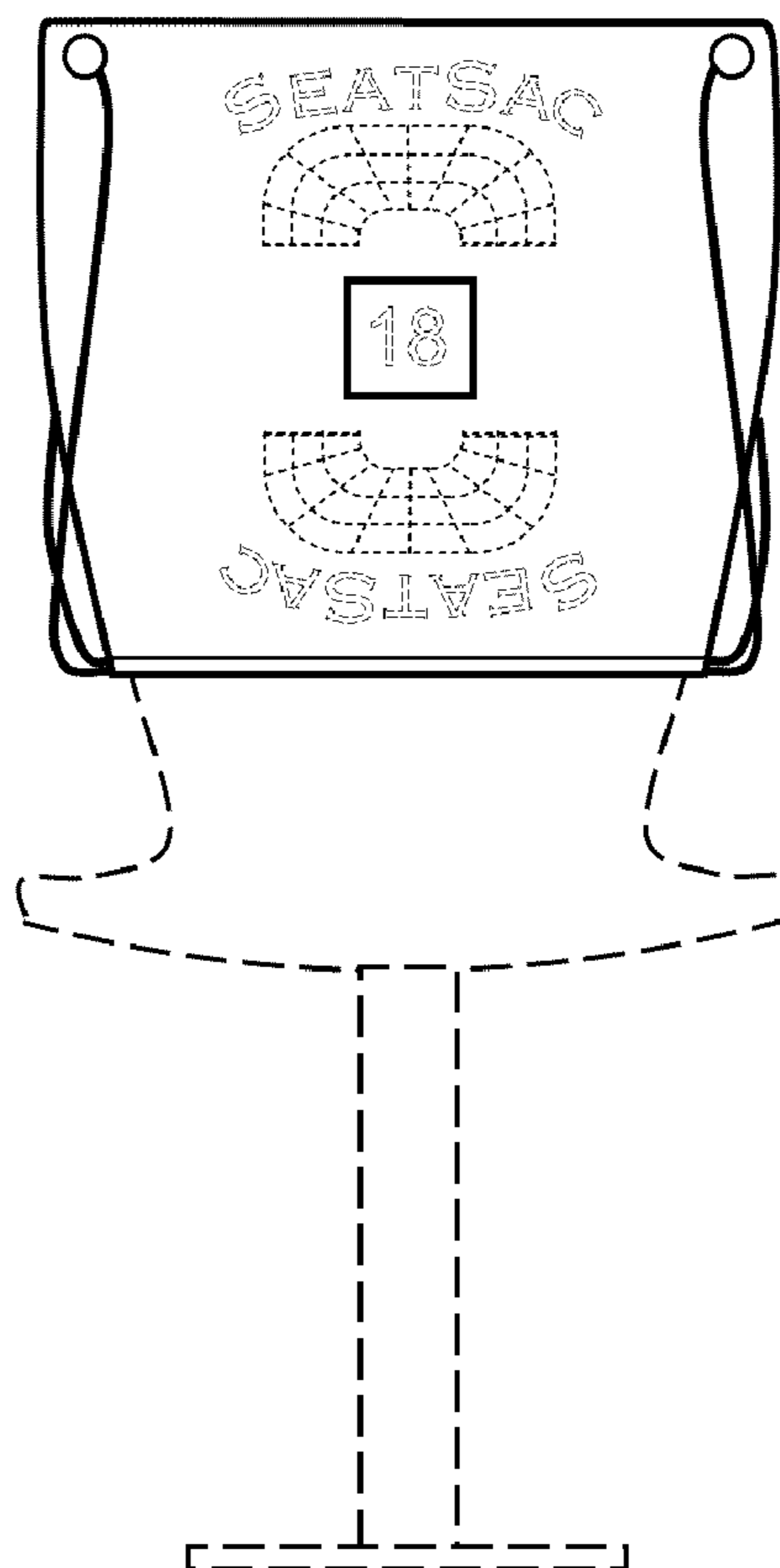


Fig. 5



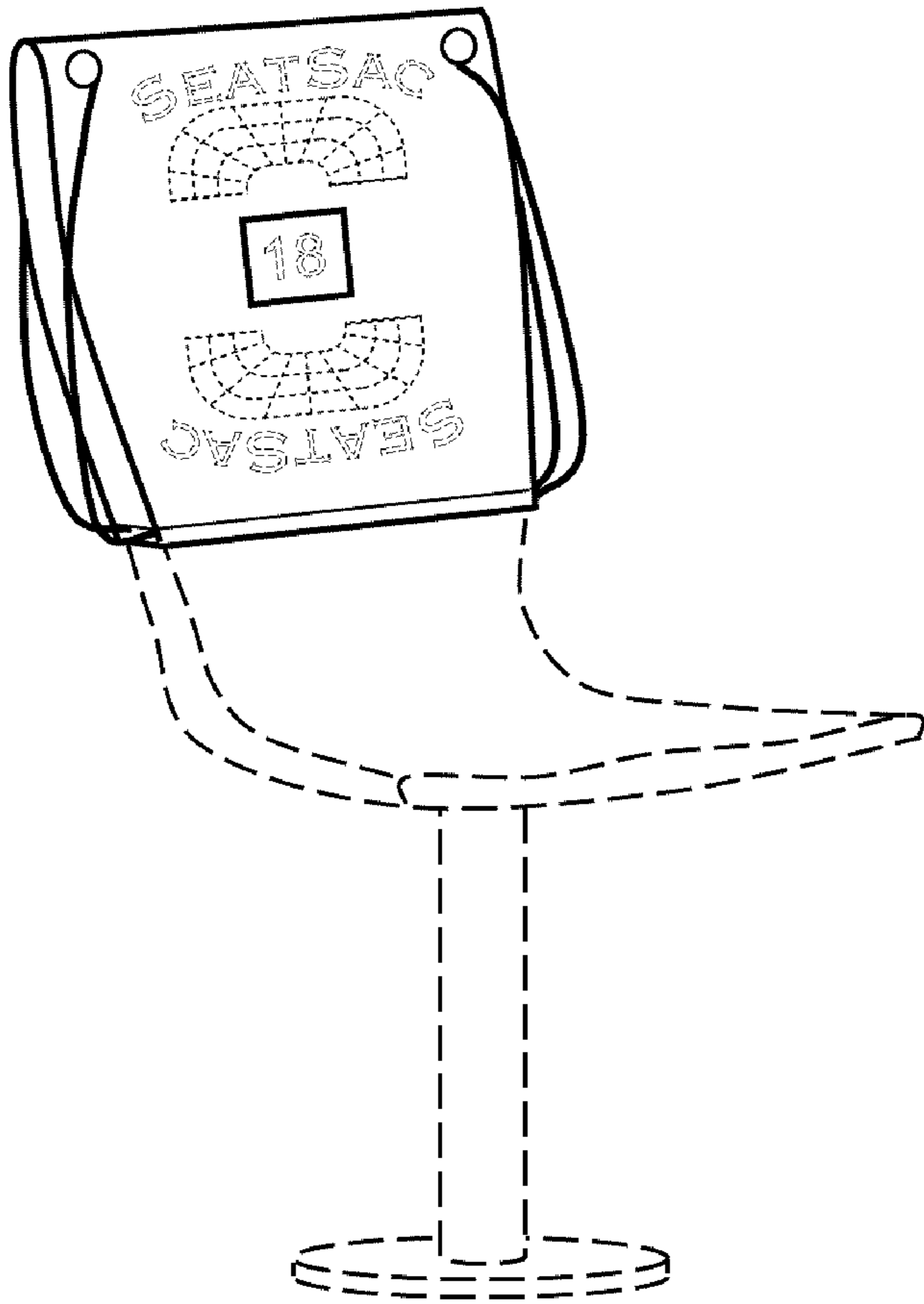


Fig. 6

Fig. 7

