



US00D648589S

(12) **United States Design Patent**
Rice Golin

(10) **Patent No.:** **US D648,589 S**

(45) **Date of Patent:** **** Nov. 15, 2011**

(54) **CONVERTIBLE SEAT COVER WITH
CORNER TRANSPARENT SECTION**

D603,201 S * 11/2009 Corle D6/611
D623,381 S * 9/2010 Flannery D2/728
D633,323 S * 3/2011 Green D6/611

(76) Inventor: **Melissa Rice Golin**, Palmeto Bay, FL
(US)

* cited by examiner

(**) Term: **14 Years**

Primary Examiner — Caron D Veynar

Assistant Examiner — Katrina Kile

(21) Appl. No.: **29/384,447**

(74) *Attorney, Agent, or Firm* — Albert Bordas, P.A.

(22) Filed: **Jan. 31, 2011**

(57) **CLAIM**

The ornamental design for a convertible seat cover with corner transparent section, as shown and described.

(51) **LOC (9) Cl.** **06-13**

DESCRIPTION

(52) **U.S. Cl.** **D6/611**

(58) **Field of Classification Search** D6/610,
D6/611, 445, 490, 596, 601, 602, 603, 615,
D6/617, 621; D7/306, 307; D12/401-405;
135/87, 88.01, 95; 150/165-167, 158, 154;
280/770; 296/136.01, 136.1, 136.11;
297/218-218.5, 219.1-229

FIG. 1 is a top plan view of a convertible seat cover with corner transparent section;

FIG. 2 is a front elevational view thereof;

FIG. 3 is a bottom view thereof;

FIG. 4 is a right elevational view thereof, the left elevational view being a mirror image thereof;

FIG. 5 is a left elevational view thereof;

FIG. 6 is a rear elevational view thereof;

FIG. 7 is an isometric view thereof; and,

FIG. 8 is an isometric view thereof, showing my design being used as a back sack/ tote bag.

See application file for complete search history.

The broken lines are for environmental purposes only and form no part of the claimed design.

The claimed convertible seat cover with corner transparent section is an ornamental seat cover that may have advertisement thereon that converts to a back sack/tote bag.

(56) **References Cited**

U.S. PATENT DOCUMENTS

4,676,376 A * 6/1987 Keiswetter 206/494
D310,314 S * 9/1990 Caron D6/611
5,150,945 A * 9/1992 Aupperlee et al. 297/184.13
5,403,066 A * 4/1995 Drum 297/219.1
5,618,082 A * 4/1997 Jachmich 297/229
6,079,784 A * 6/2000 Peachey 297/284.5
6,481,793 B1 * 11/2002 Horn 297/228.1
D586,168 S * 2/2009 Smith, Jr. D6/611

1 Claim, 3 Drawing Sheets

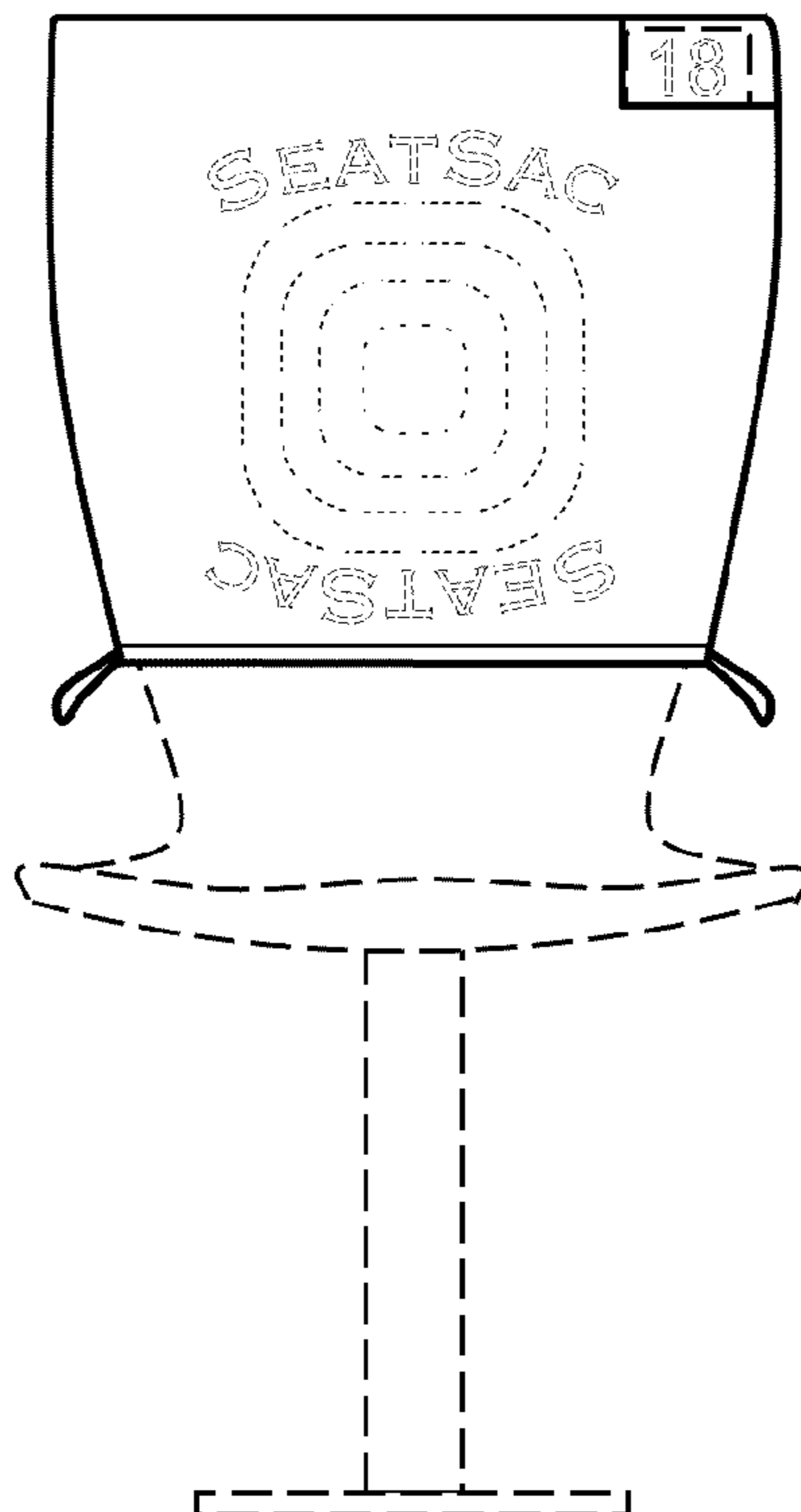


Fig. 1

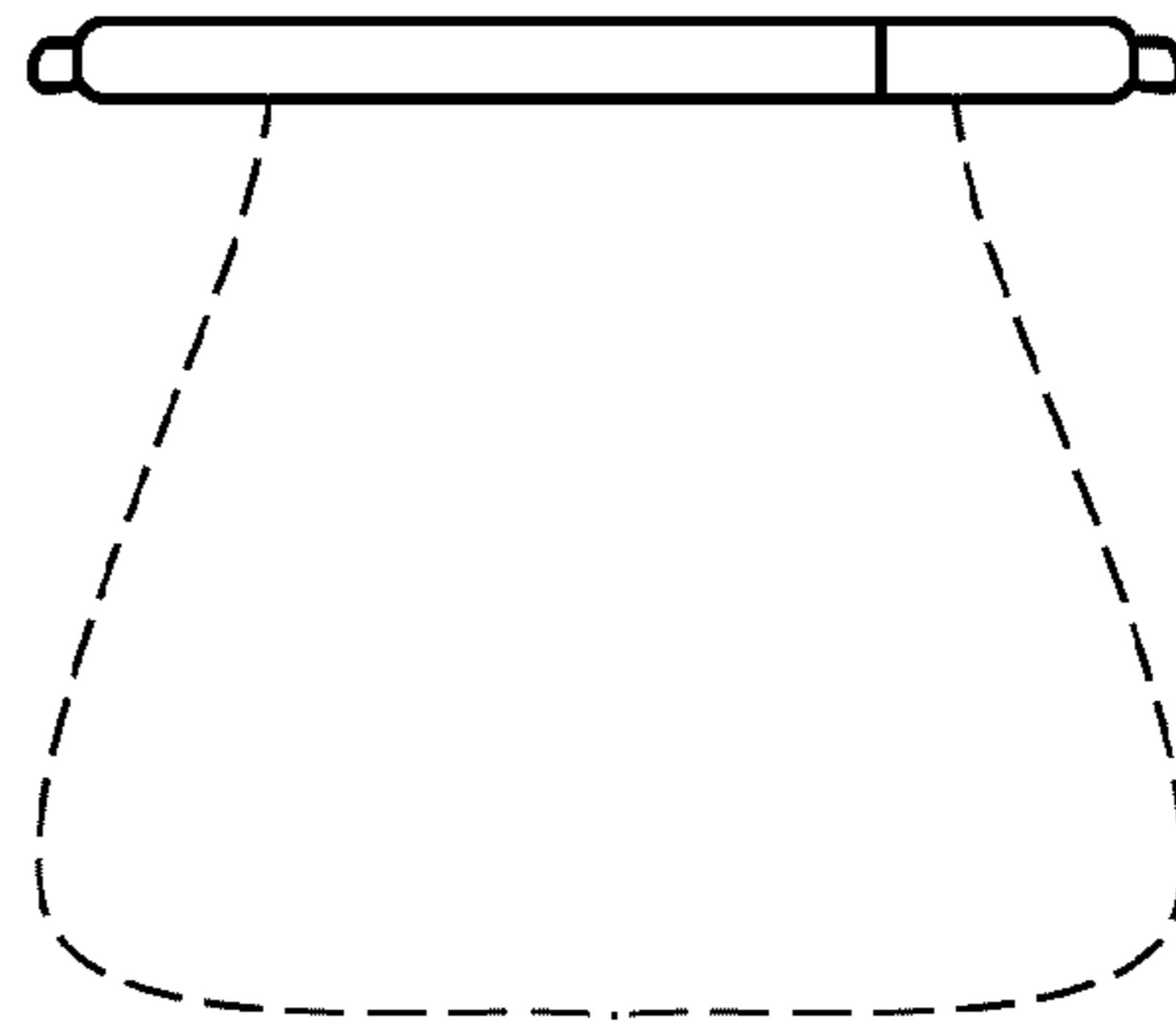


Fig. 2

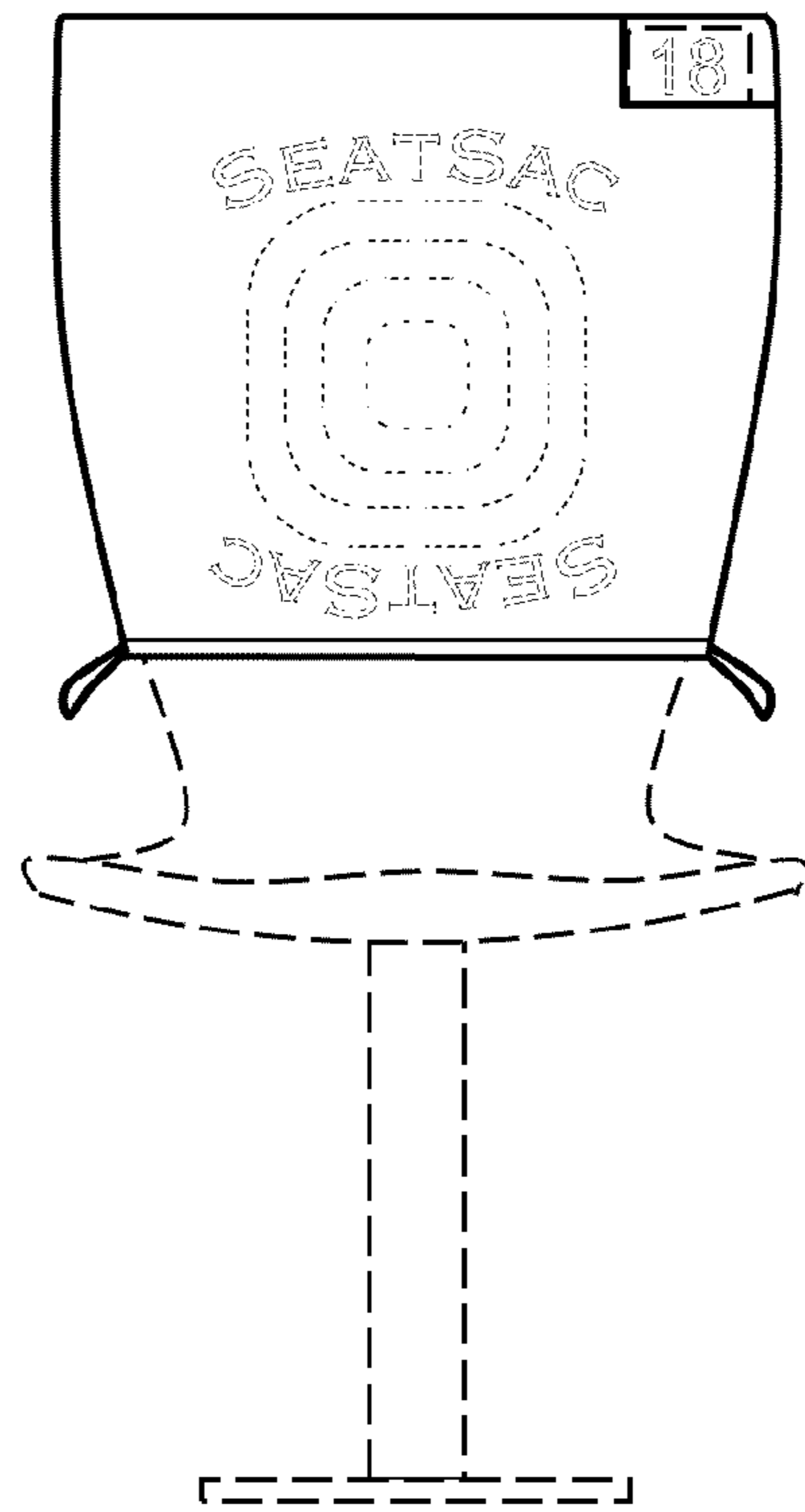
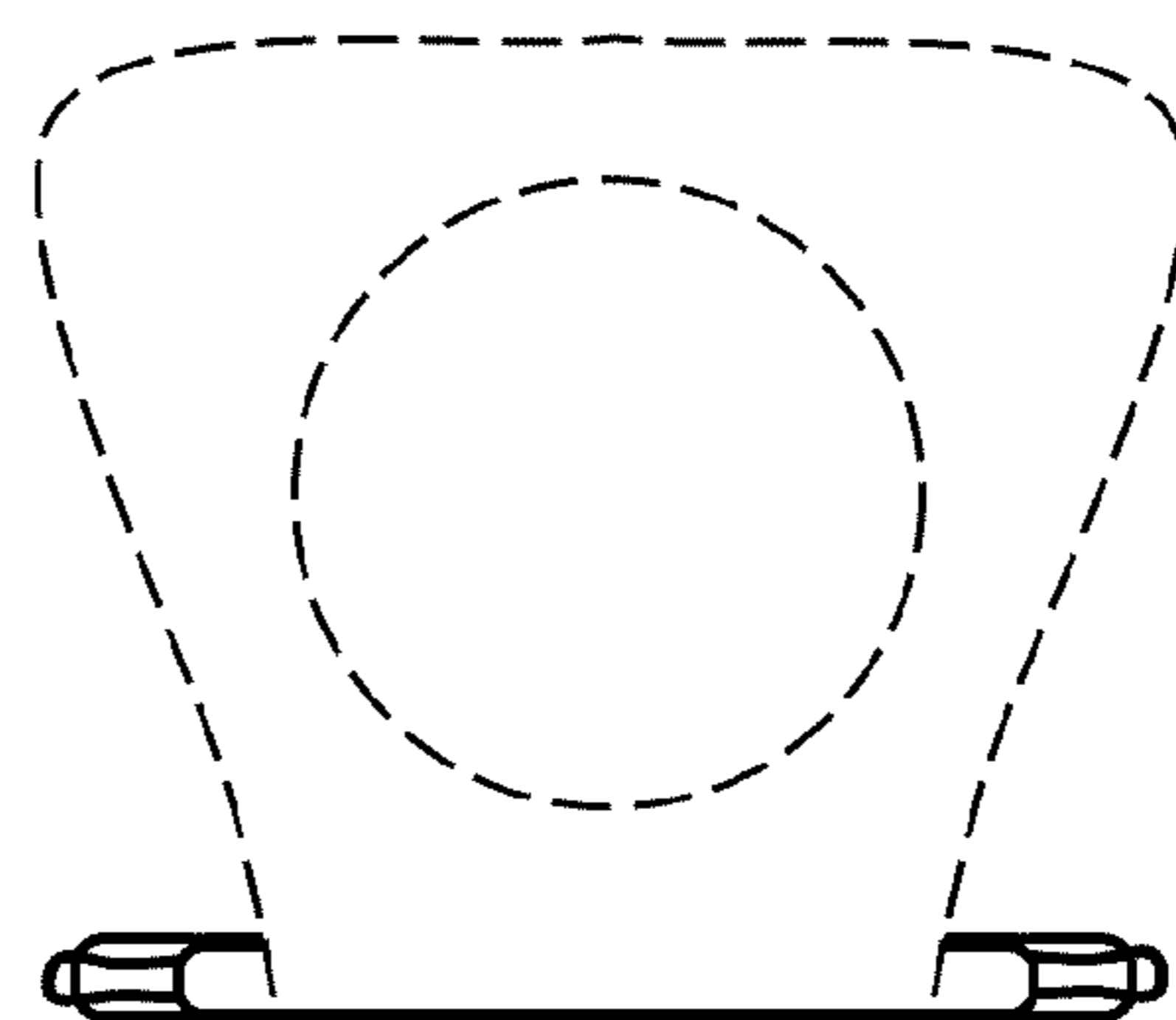


Fig. 3



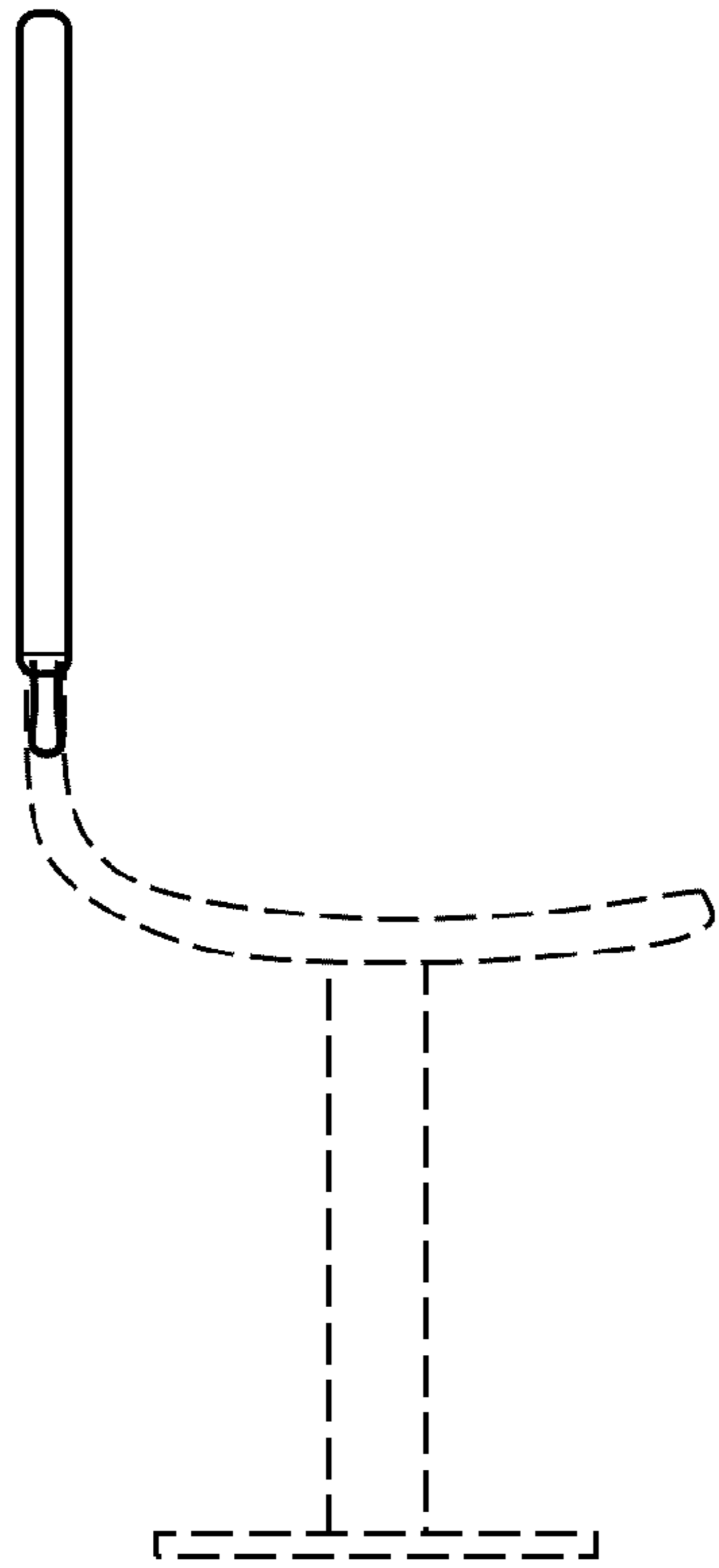


Fig. 4

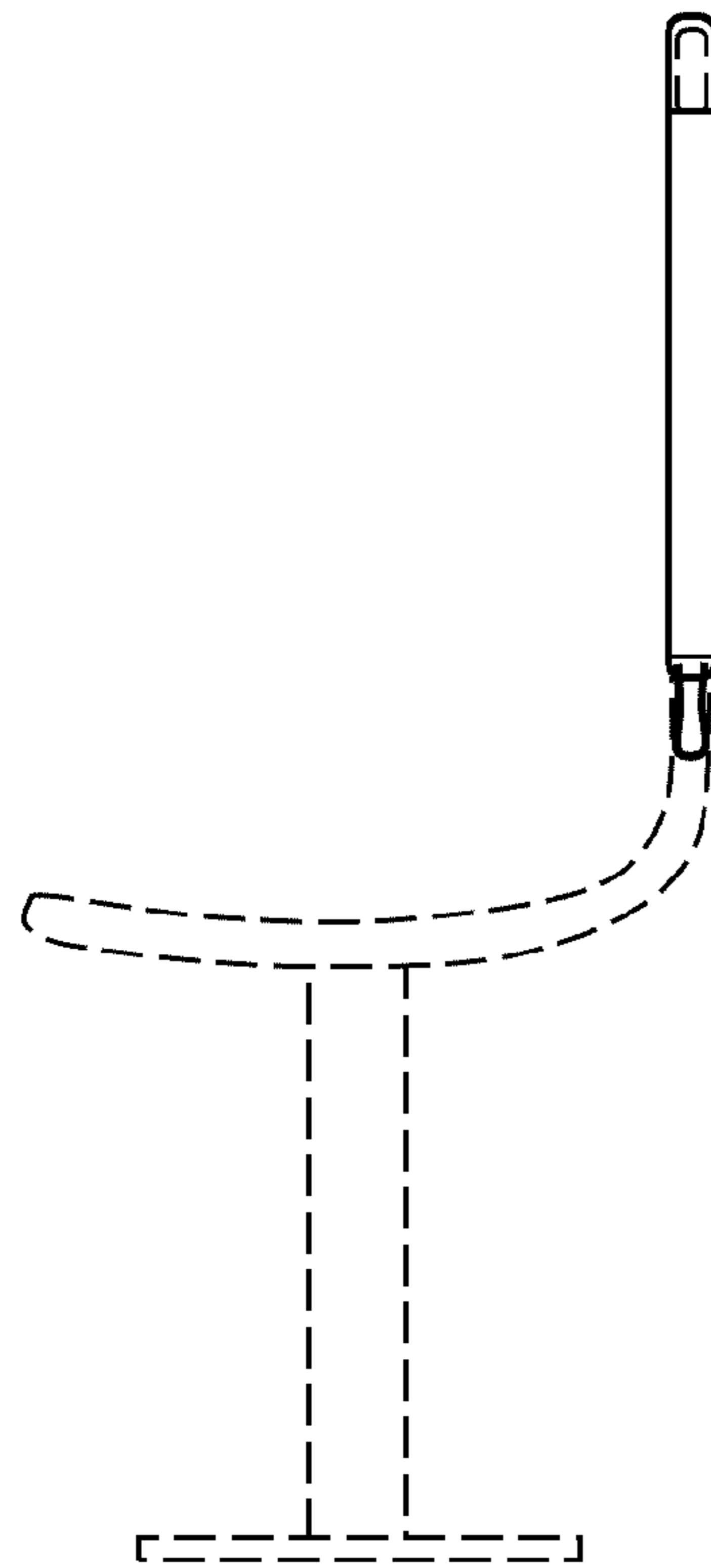
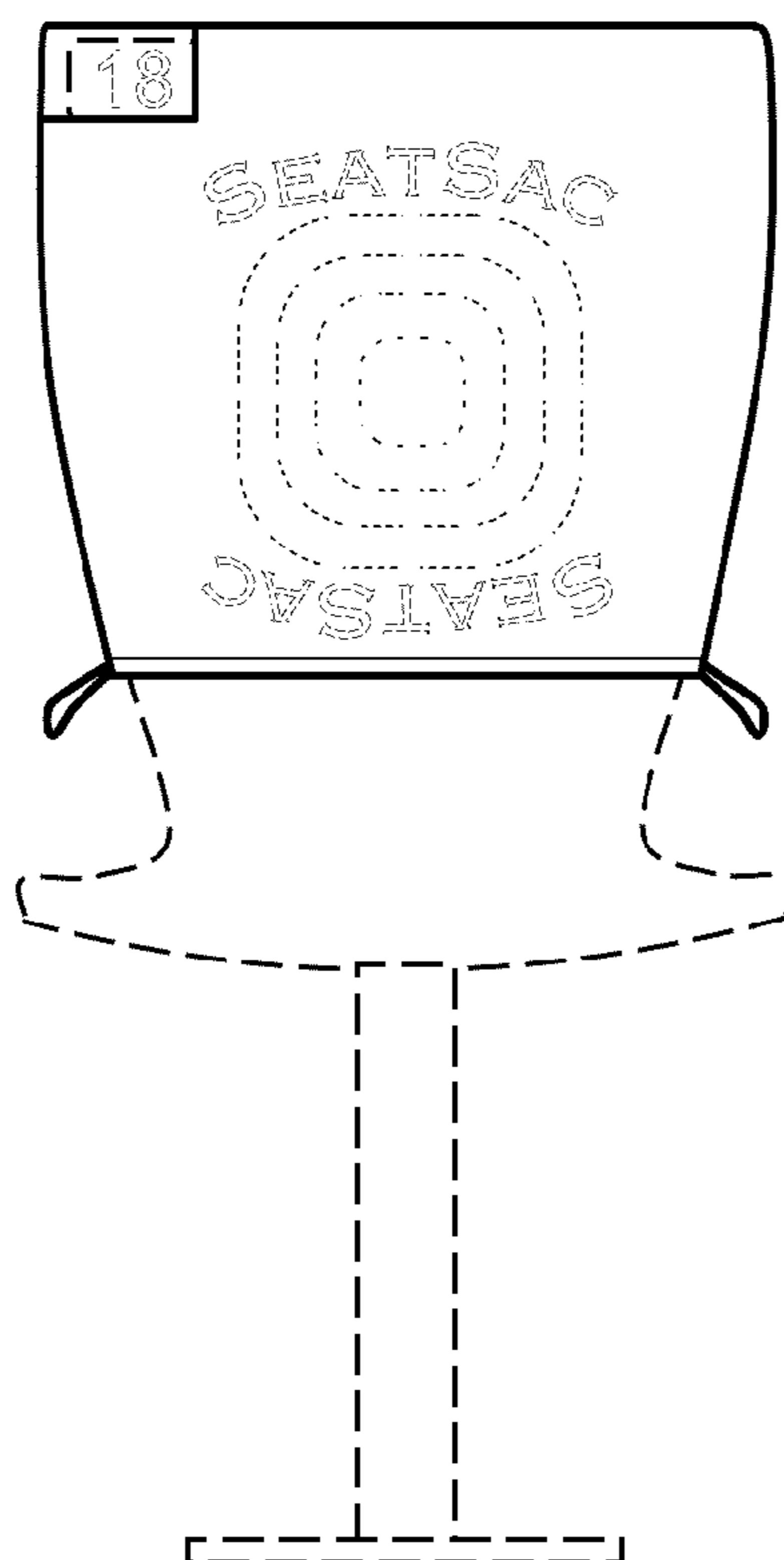


Fig. 5

Fig. 6



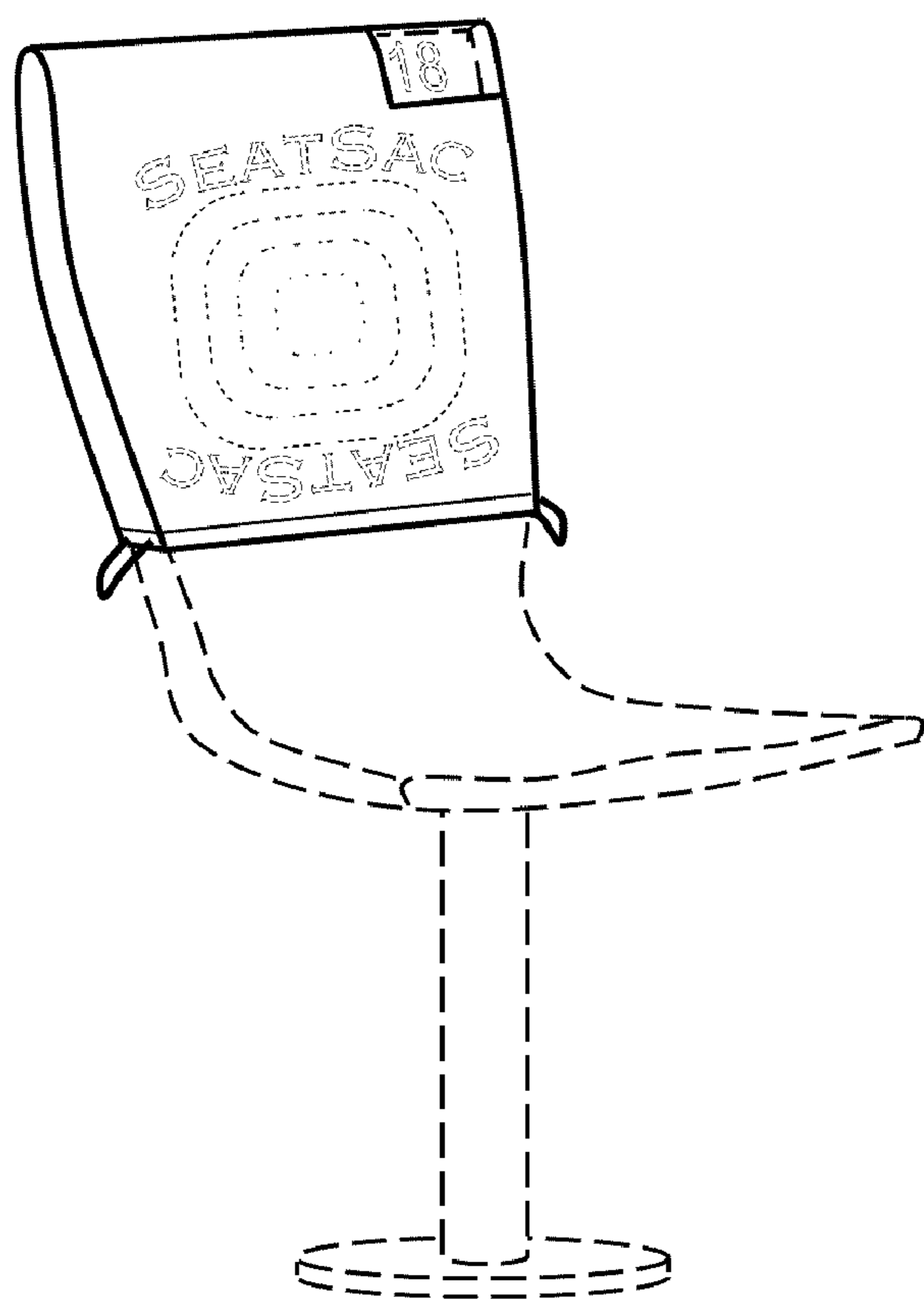


Fig. 7

Fig. 8

