



US00D648588S

(12) **United States Design Patent**
Rice Golin

(10) **Patent No.:** **US D648,588 S**

(45) **Date of Patent:** **** Nov. 15, 2011**

(54) **CONVERTIBLE SEAT COVER WITH TOP
TRANSPARENT SECTION**

6,481,793 B1 * 11/2002 Horn 297/228.1
D586,168 S * 2/2009 Smith, Jr. D6/611
D603,201 S * 11/2009 Corle D6/611
D623,381 S * 9/2010 Flannery D2/728
D633,323 S * 3/2011 Green D6/611

(76) Inventor: **Melissa Rice Golin**, Palmeto Bay, FL
(US)

* cited by examiner

(**) Term: **14 Years**

Primary Examiner — Caron D Veynar

Assistant Examiner — Katrina Kile

(21) Appl. No.: **29/384,441**

(74) *Attorney, Agent, or Firm* — Albert Bordas, P.A.

(22) Filed: **Jan. 31, 2011**

(57) **CLAIM**

(51) **LOC (9) Cl.** **06-13**

The ornamental design for a convertible seat cover with top transparent section, as shown and described.

(52) **U.S. Cl.** **D6/611**

(58) **Field of Classification Search** D6/610,
D6/611, 445, 490, 596, 601, 602, 603, 615,
D6/617, 621; D7/306, 307; D12/401-405;
135/87, 88.01, 95; 150/165-167, 158, 154;
280/770; 296/136.01, 136.1, 136.11;
297/218-218.5, 219.1-229

DESCRIPTION

See application file for complete search history.

FIG. 1 is a top plan view of a convertible seat cover with top transparent section;
FIG. 2 is a front elevational view thereof;
FIG. 3 is a bottom view thereof;
FIG. 4 is a right elevational view thereof, the left elevational view being a mirror image thereof;
FIG. 5 is a rear elevational view thereof;
FIG. 6 is an isometric view thereof; and,
FIG. 7 is an isometric view thereof, showing my design being used as a back sack/tote bag.

The broken lines are for environmental purposes only and form no part of the claimed design.

(56) **References Cited**

U.S. PATENT DOCUMENTS

4,676,376 A * 6/1987 Keiswetter 206/494
D310,314 S * 9/1990 Caron D6/611
5,150,945 A * 9/1992 Aupperlee et al. 297/184.13
5,403,066 A * 4/1995 Drum 297/219.1
5,618,082 A * 4/1997 Jachmich 297/229
6,079,784 A * 6/2000 Peachey 297/284.5

1 Claim, 3 Drawing Sheets

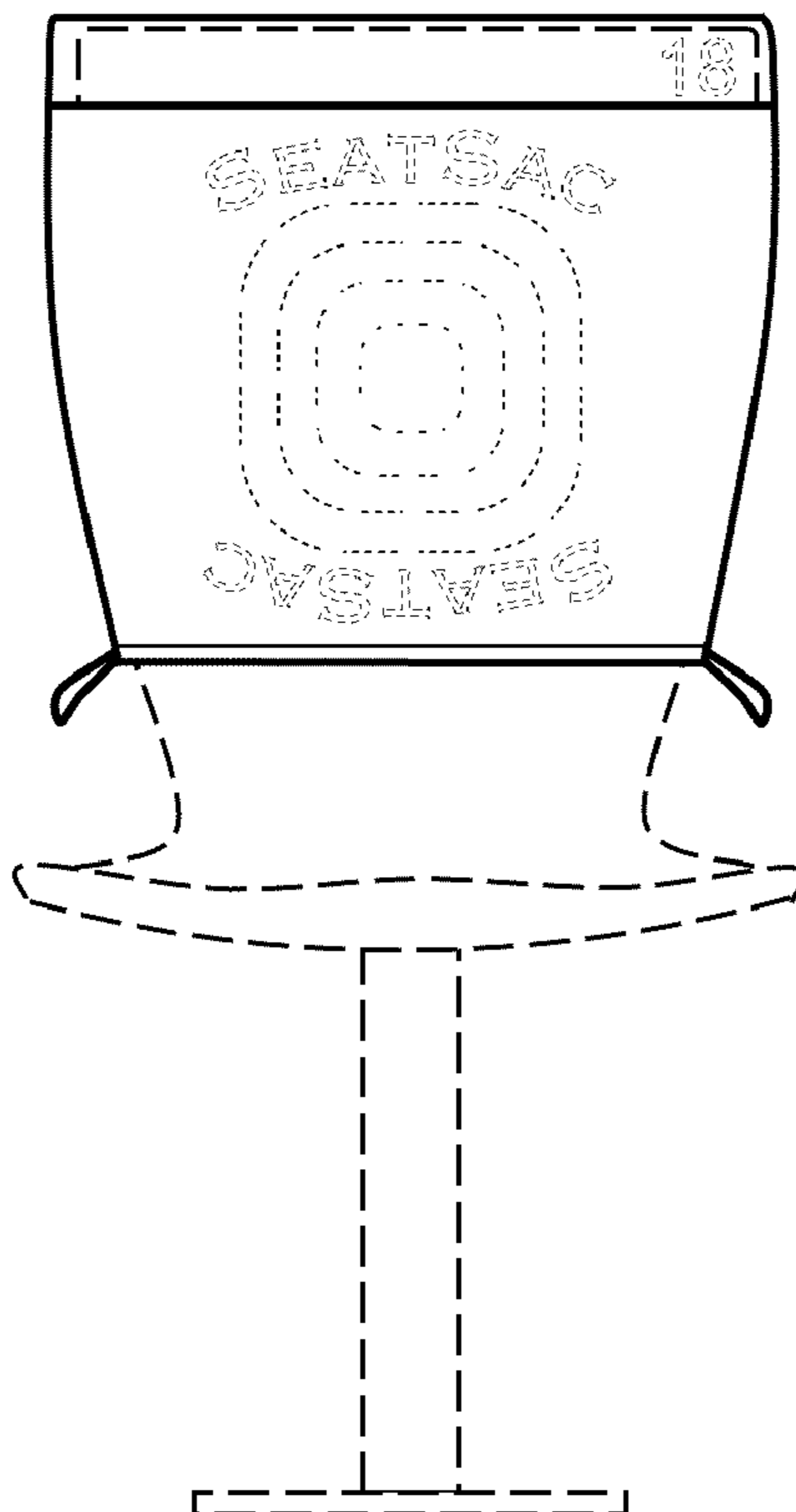


Fig. 1

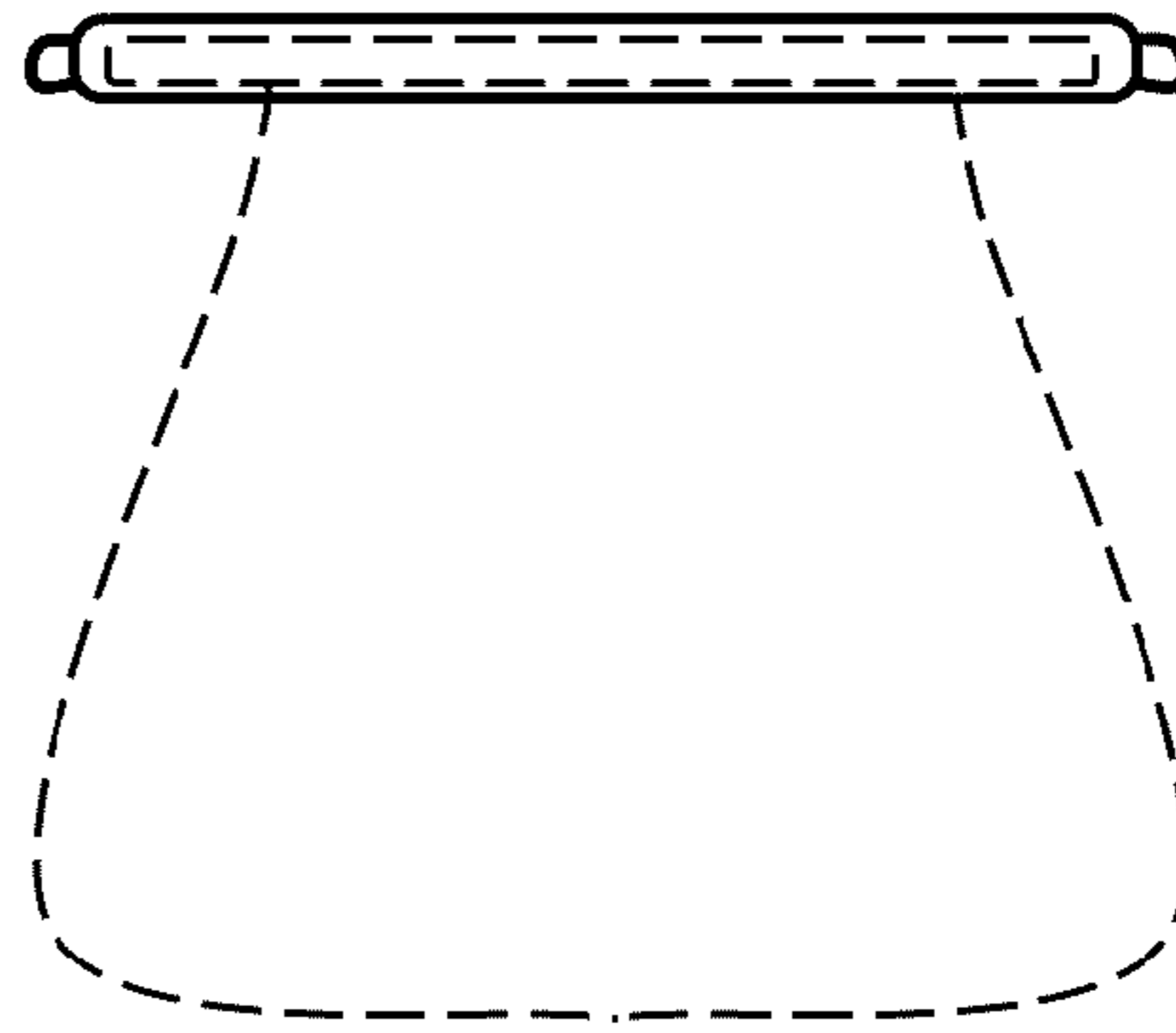


Fig. 2

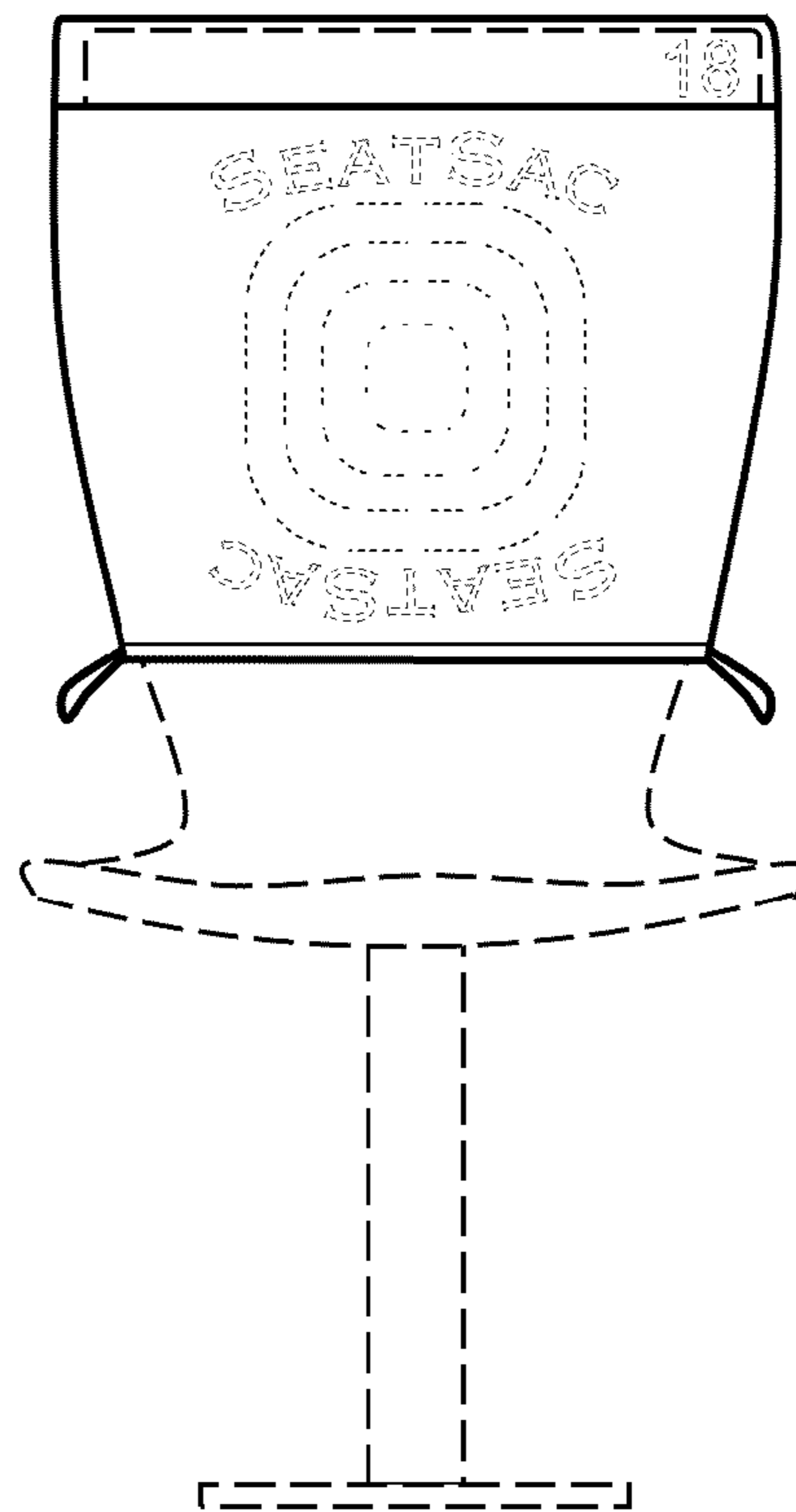


Fig. 3

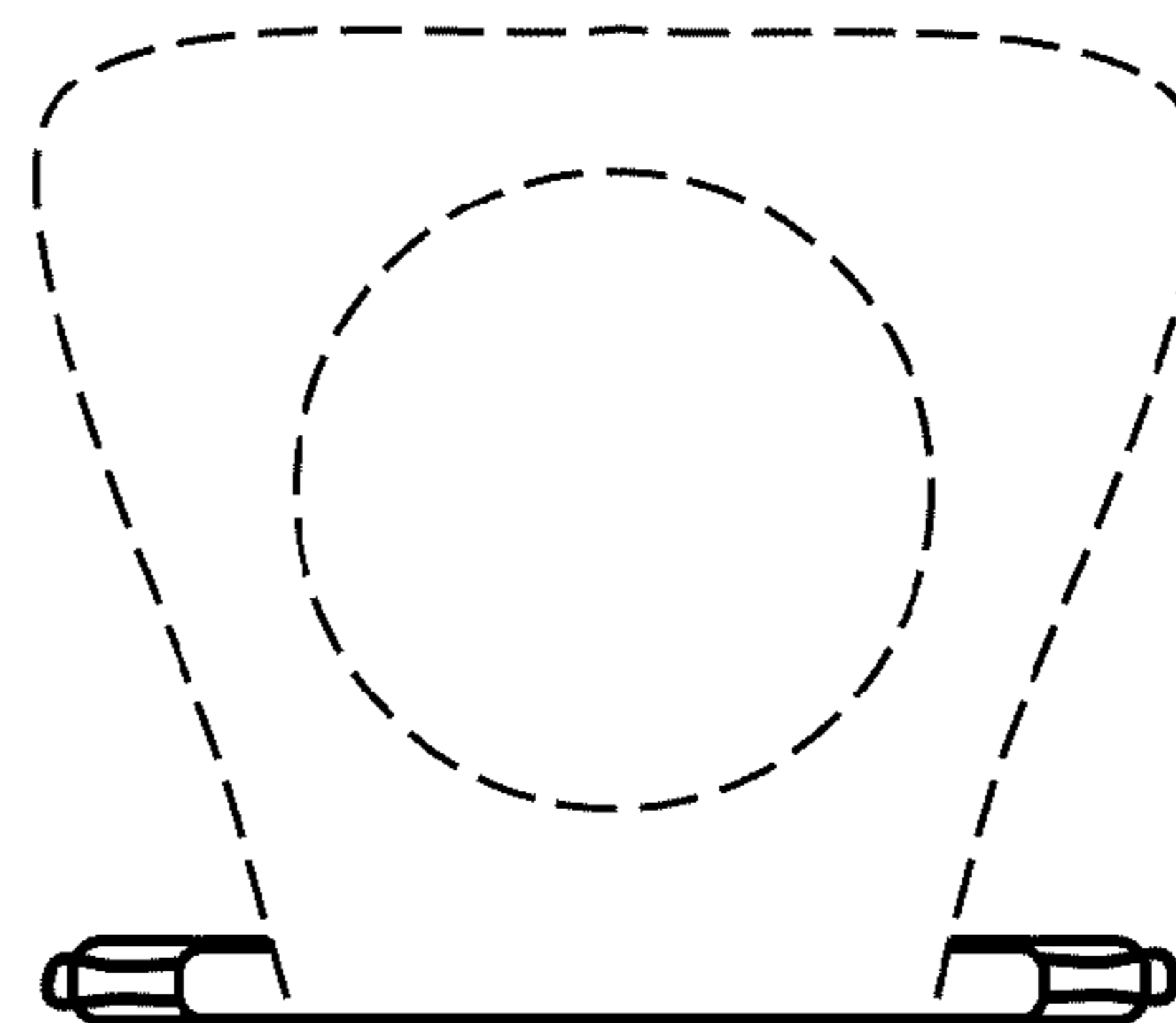


Fig. 4

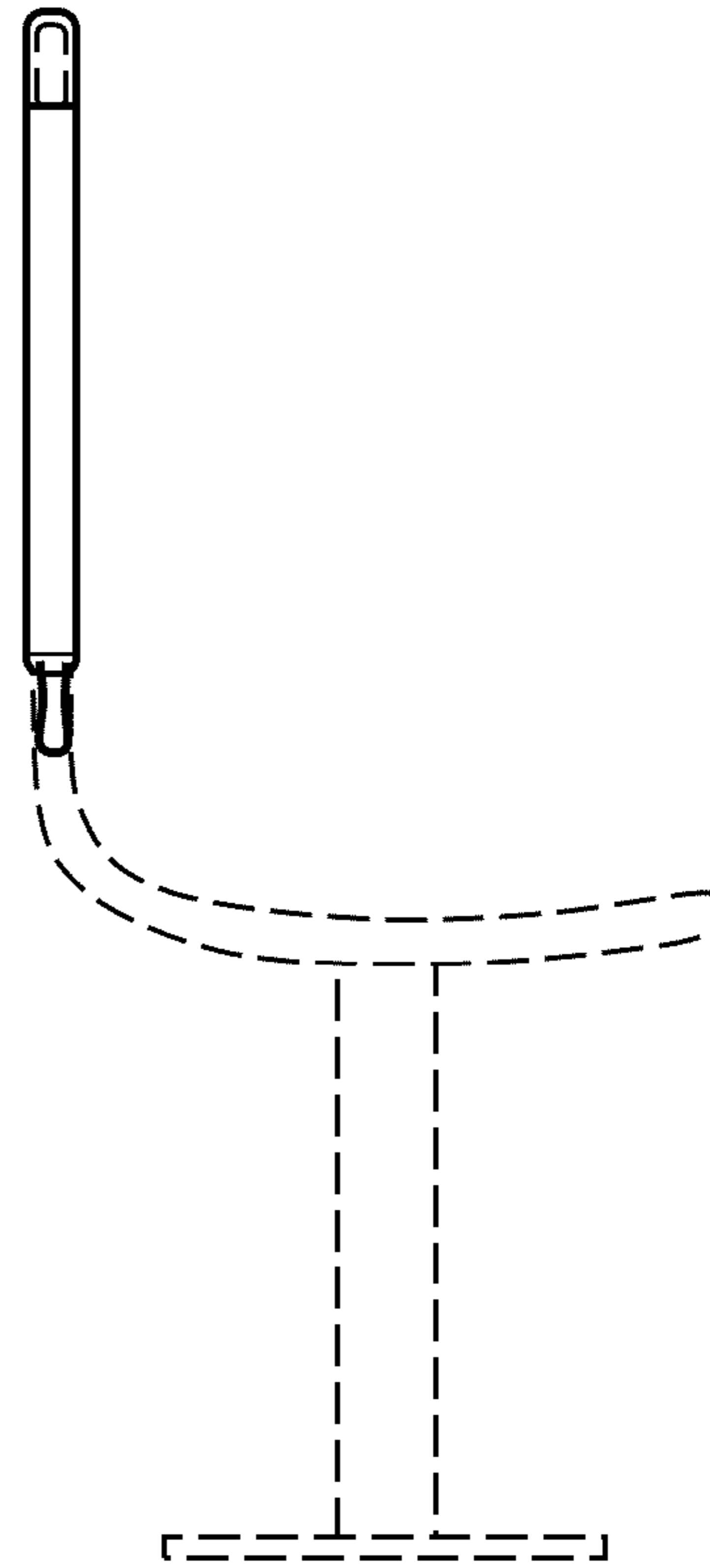
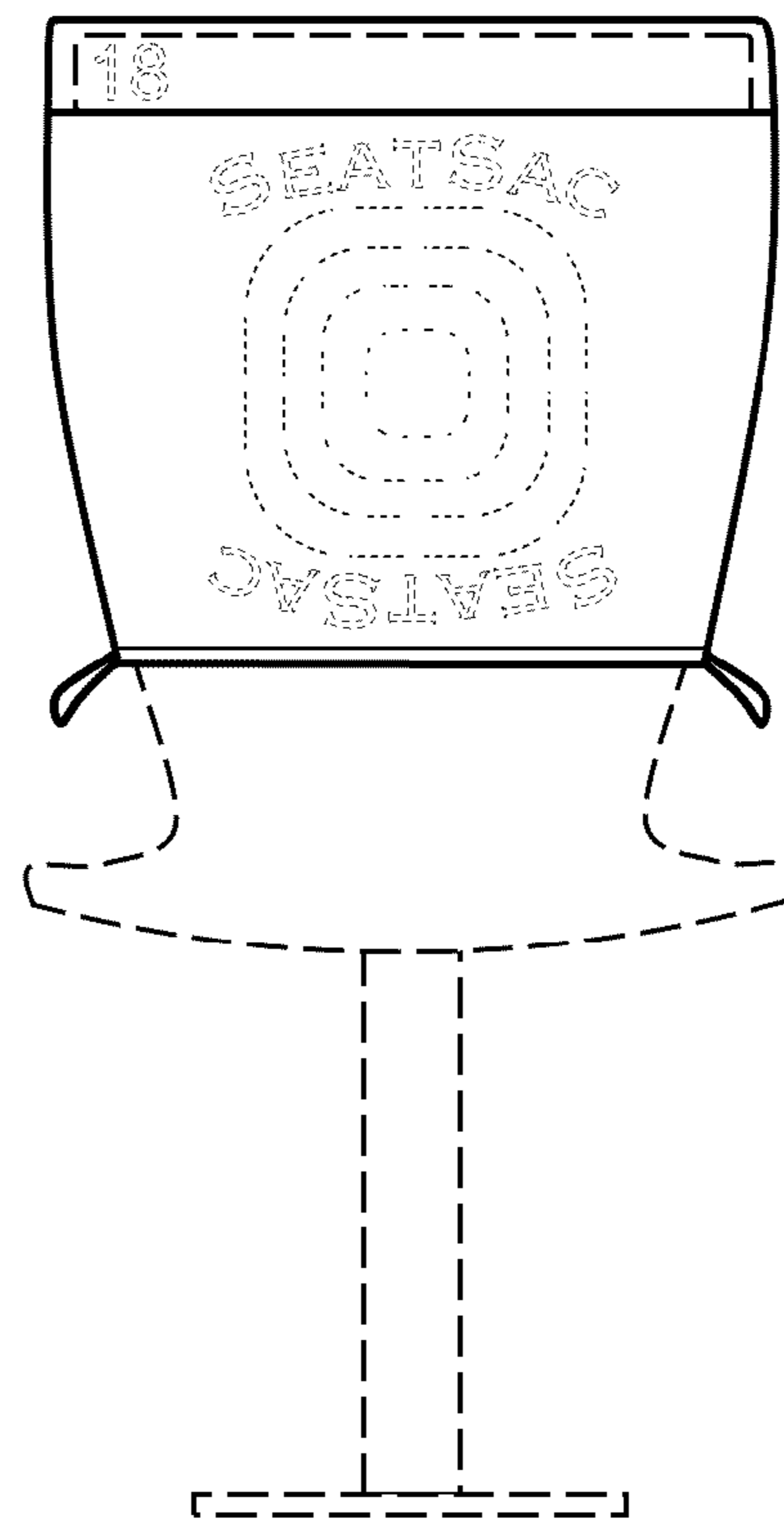


Fig. 5



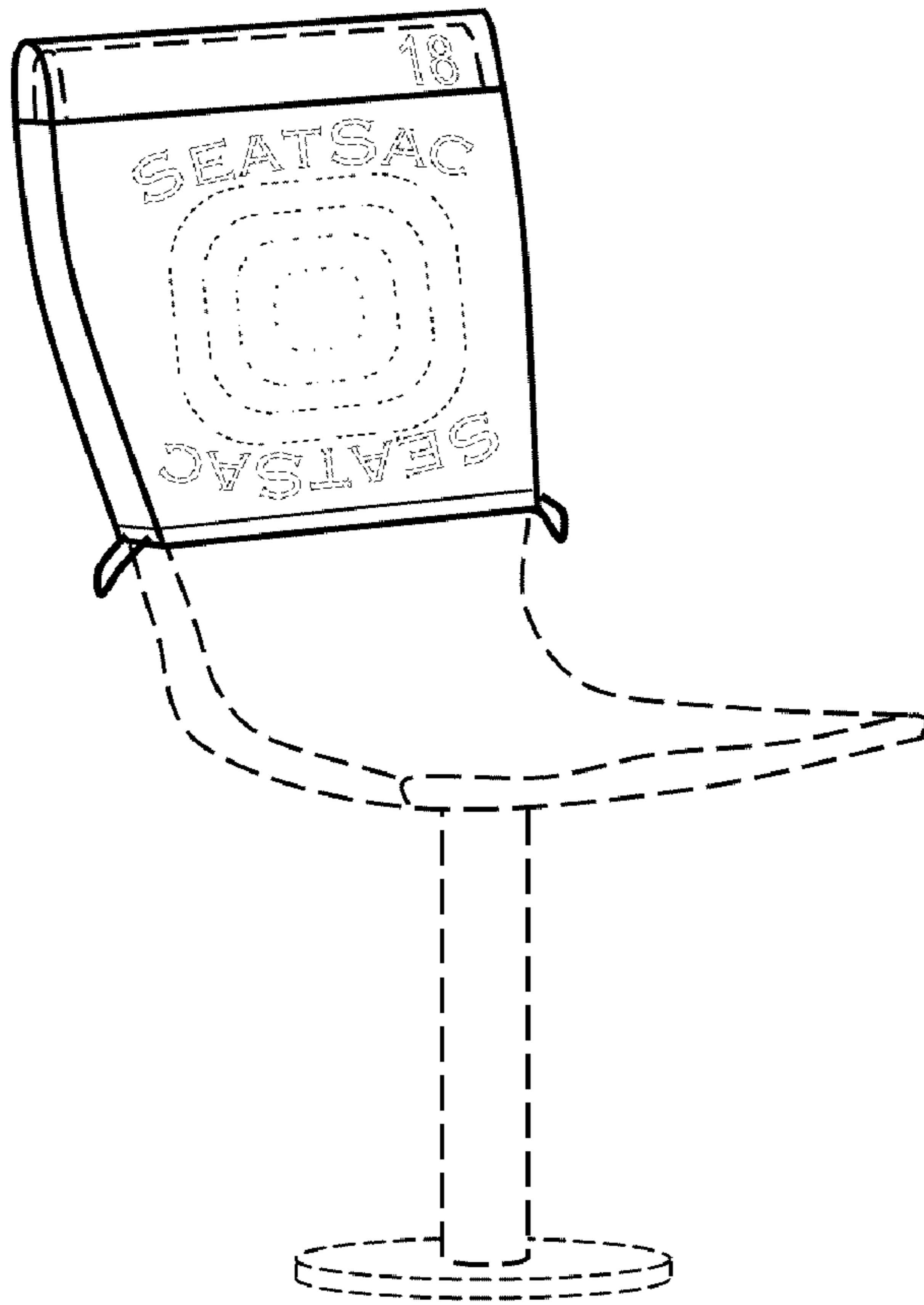


Fig. 6

Fig. 7

