



US00D648584S

(12) **United States Design Patent**
Ellis

(10) **Patent No.:** **US D648,584 S**

(45) **Date of Patent:** **** Nov. 15, 2011**

(54) **DESK TOP**

(76) Inventor: **Alphonso J. Ellis**, Alpharetta, GA (US)

(**) Term: **14 Years**

(21) Appl. No.: **29/377,392**

(22) Filed: **Oct. 20, 2010**

(51) **LOC (9) Cl.** **06-06**

(52) **U.S. Cl.** **D6/511; D6/440; D6/444**

(58) **Field of Classification Search** D6/480-489,
D6/495-499, 429-431, 440, 444; 108/150,
108/153.1, 155, 156, 161; 248/188, 188.1,
248/188.8, 164, 440, 188.9, 346.01; 312/224,
312/227; D3/903

See application file for complete search history.

(56) **References Cited**

U.S. PATENT DOCUMENTS

D280,366 S *	9/1985	Matsuda	D6/425
D342,121 S *	12/1993	Lim	D23/286
D474,920 S *	5/2003	Holt	D6/425
D577,225 S *	9/2008	Greiner	D6/444
D577,232 S *	9/2008	Greiner	D6/511
D622,518 S *	8/2010	Jordan	D6/429

* cited by examiner

Primary Examiner — Janice Seeger

(74) *Attorney, Agent, or Firm* — QuickPatents, Inc.; Kevin Prince

(57) **CLAIM**

What is claimed is the ornamental design for a desk top, as shown and described.

DESCRIPTION

FIG. 1 is a perspective view of a desk top, showing the new design with a vanity cover and a communications and power port both in a closed configuration;

FIG. 2 is a front elevational view of FIG. 1;

FIG. 3 is a rear elevational view of FIG. 1;

FIG. 4 is a right-side elevational view of FIG. 1;

FIG. 5 is a left -side elevational view of FIG. 1;

FIG. 6 is a top plan view of FIG. 1;

FIG. 7 is a bottom plan view of FIG. 1;

FIG. 8 is a perspective view of the design, illustrated with the vanity cover and the communications and power port both in an open configuration;

FIG. 9 is a front elevational view of FIG. 8;

FIG. 10 is a rear elevational view of FIG. 8;

FIG. 11 is a right-side elevational view of FIG. 8;

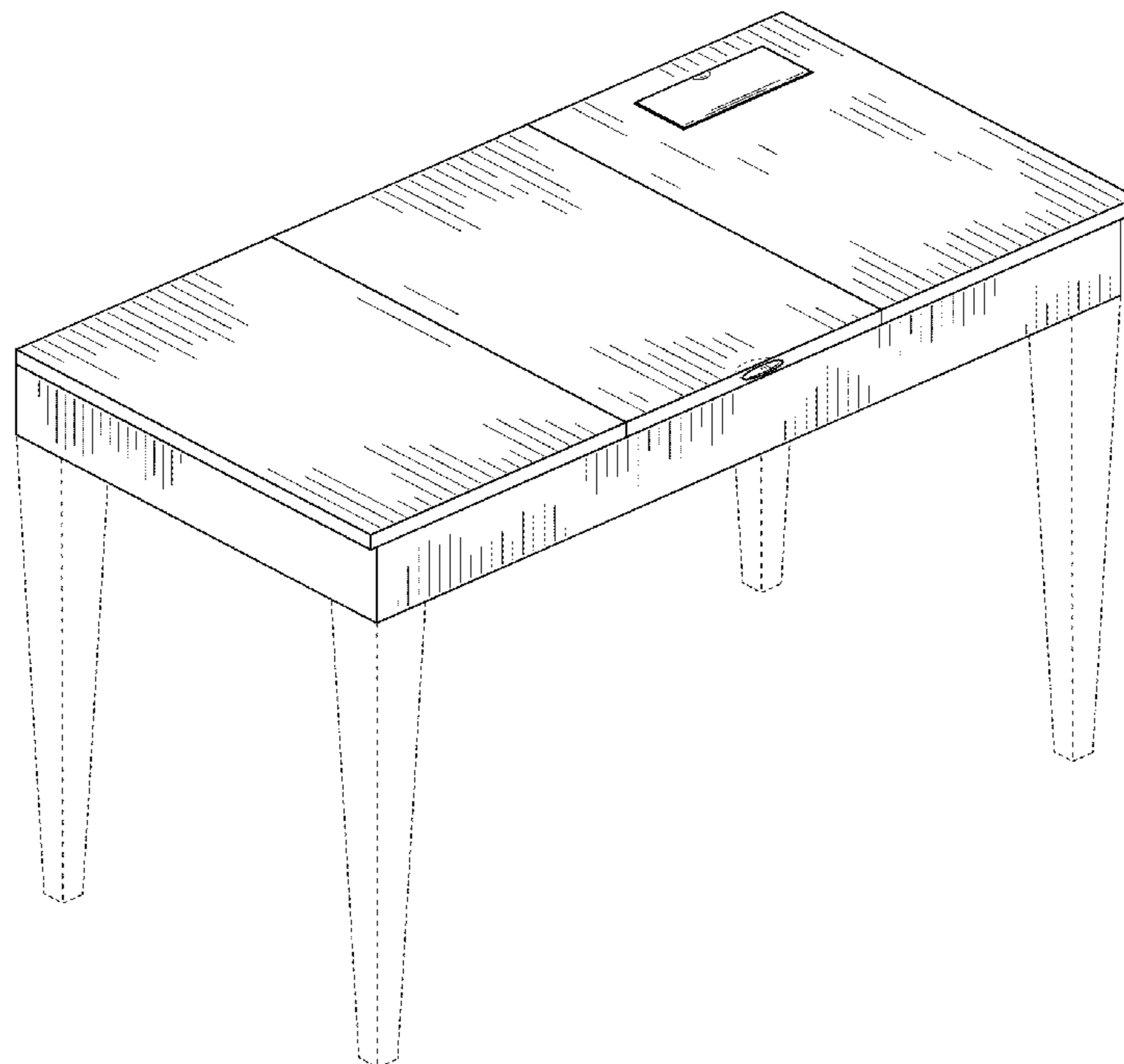
FIG. 12 is a left -side elevational view of FIG. 8;

FIG. 13 is a top plan view of FIG. 8; and,

FIG. 14 is a bottom plan view of FIG. 8.

The broken lines showing desktop legs in FIG. 1 are included for the purpose of illustrating the invention in use, and form no part of the claimed design.

1 Claim, 7 Drawing Sheets



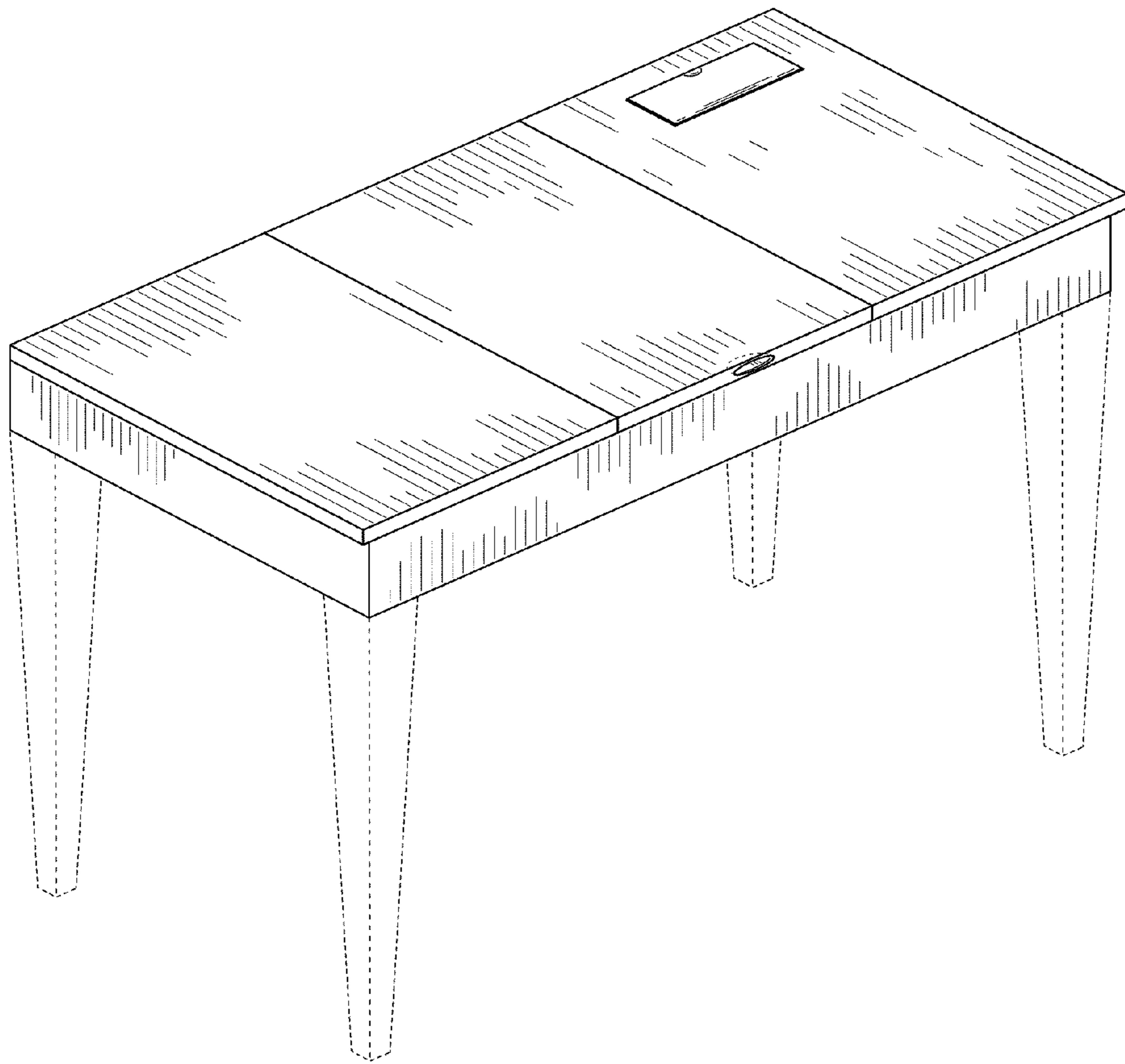


FIG. 1

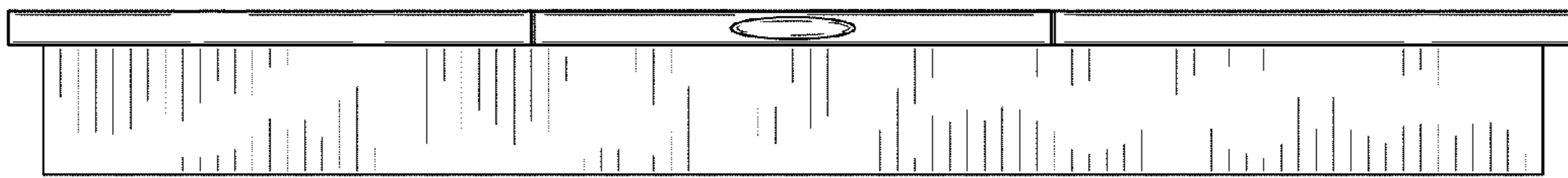


FIG. 2

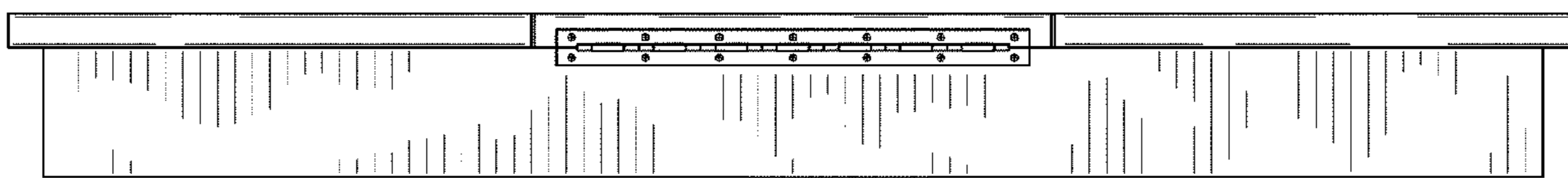


FIG. 3

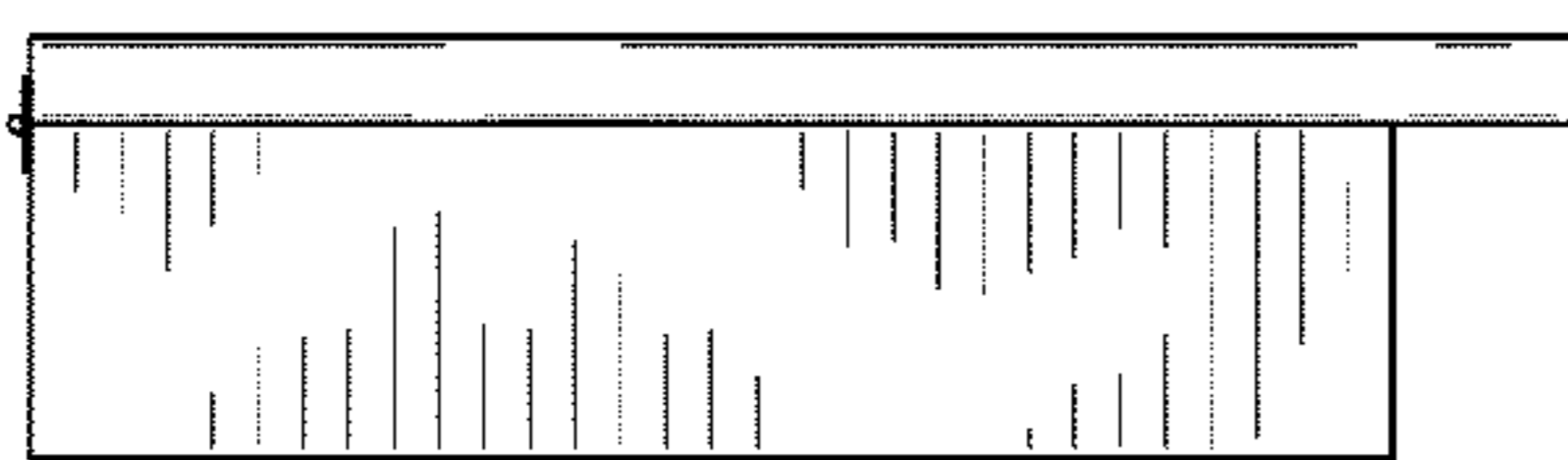


FIG. 4

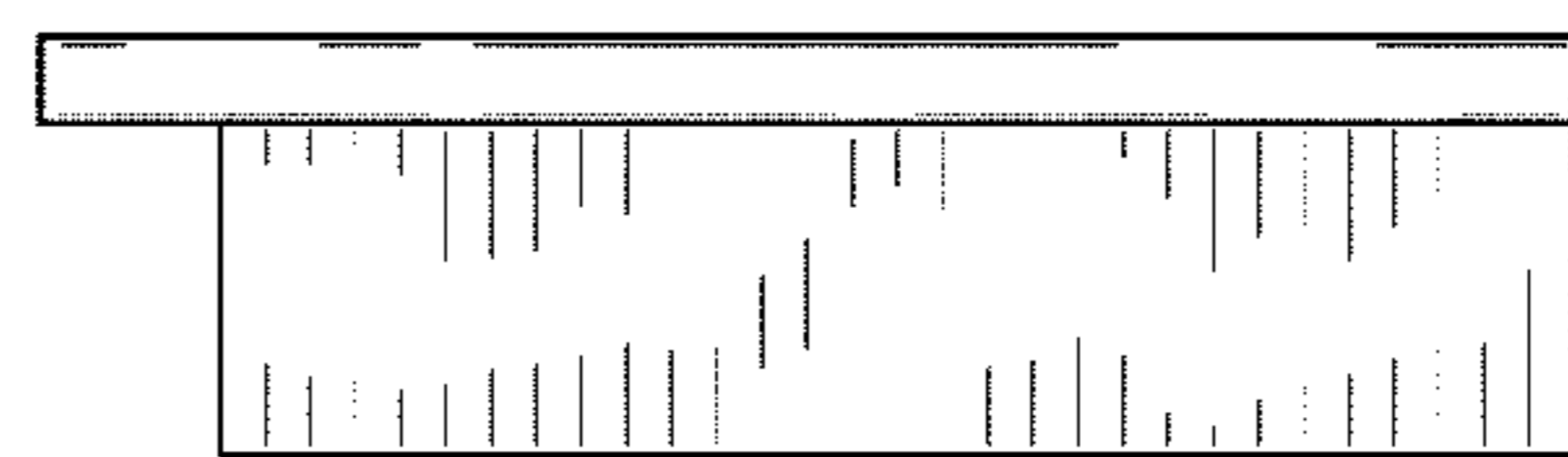


FIG. 5

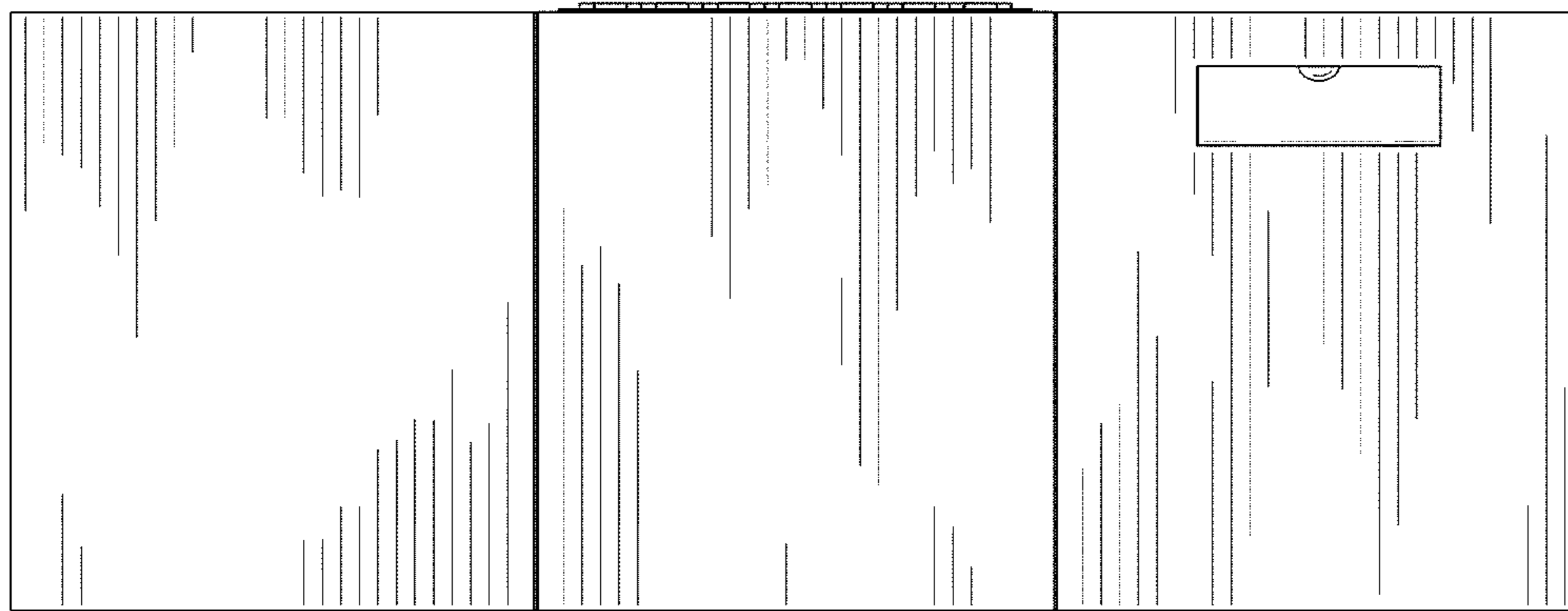


FIG. 6

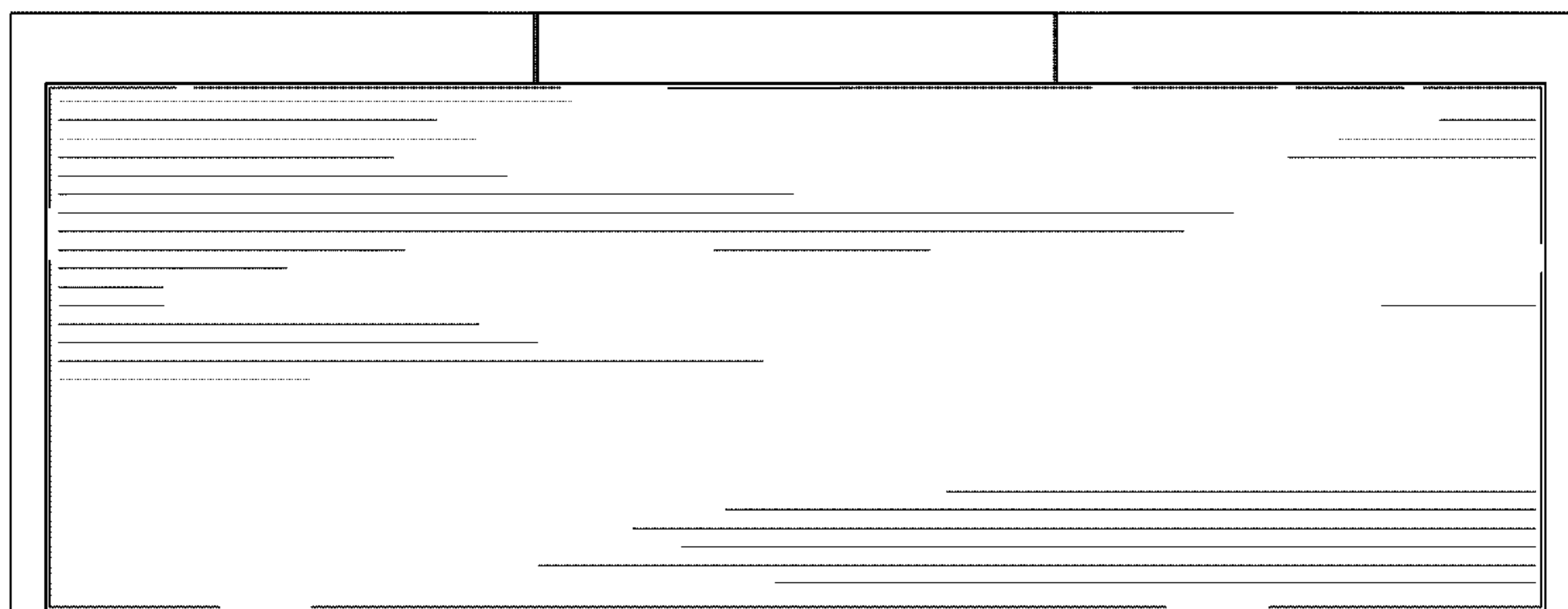


FIG. 7

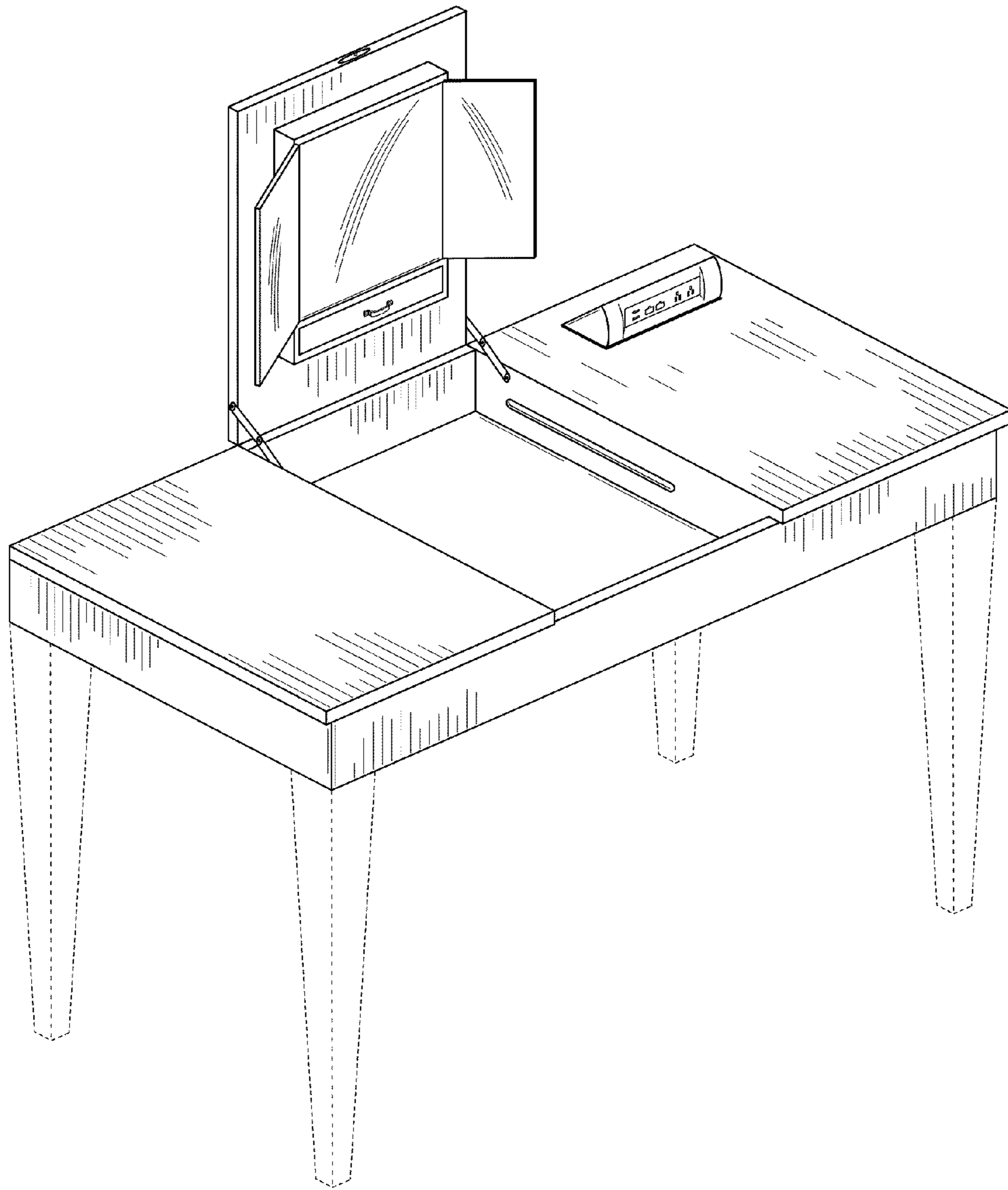


FIG. 8



FIG. 9

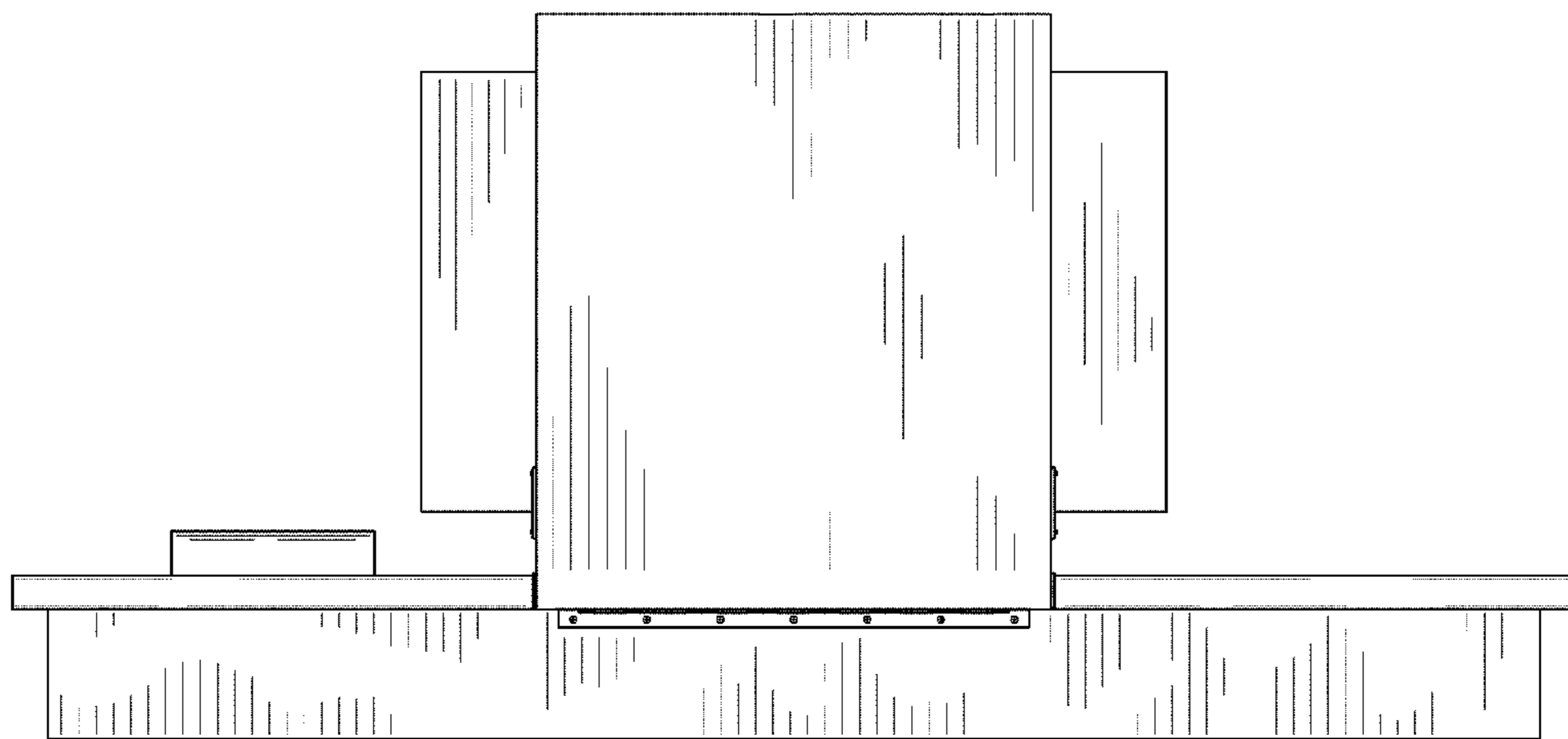


FIG. 10

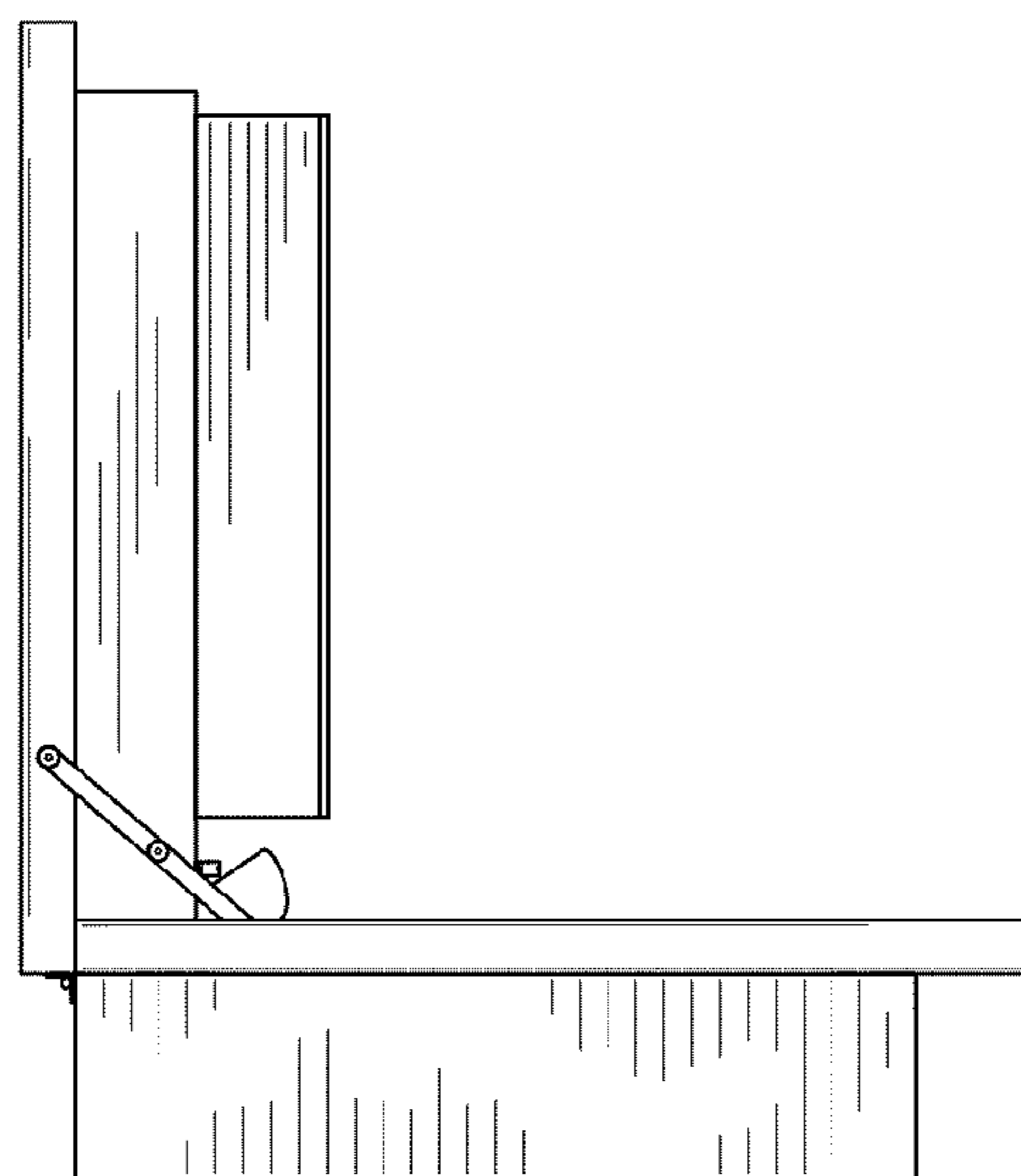


FIG. 11

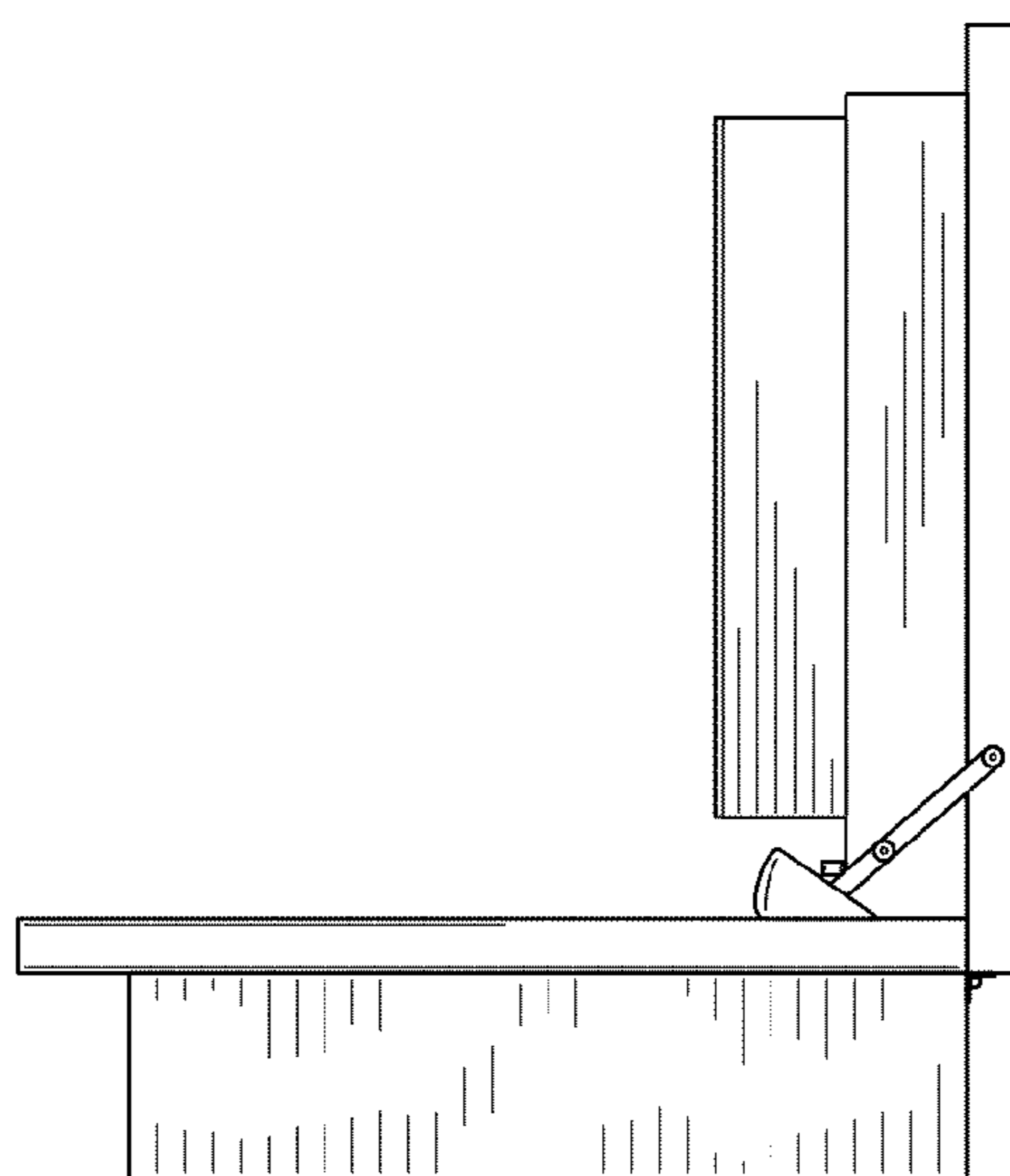


FIG. 12

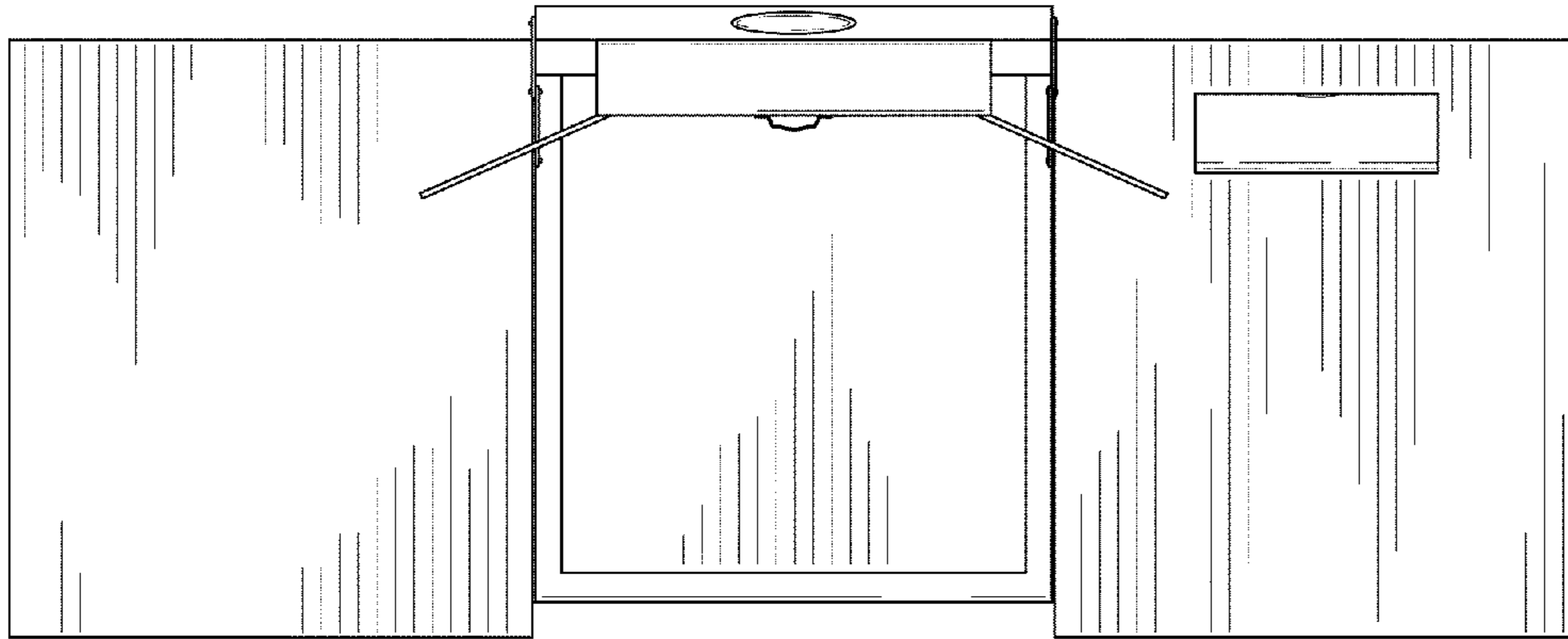


FIG. 13

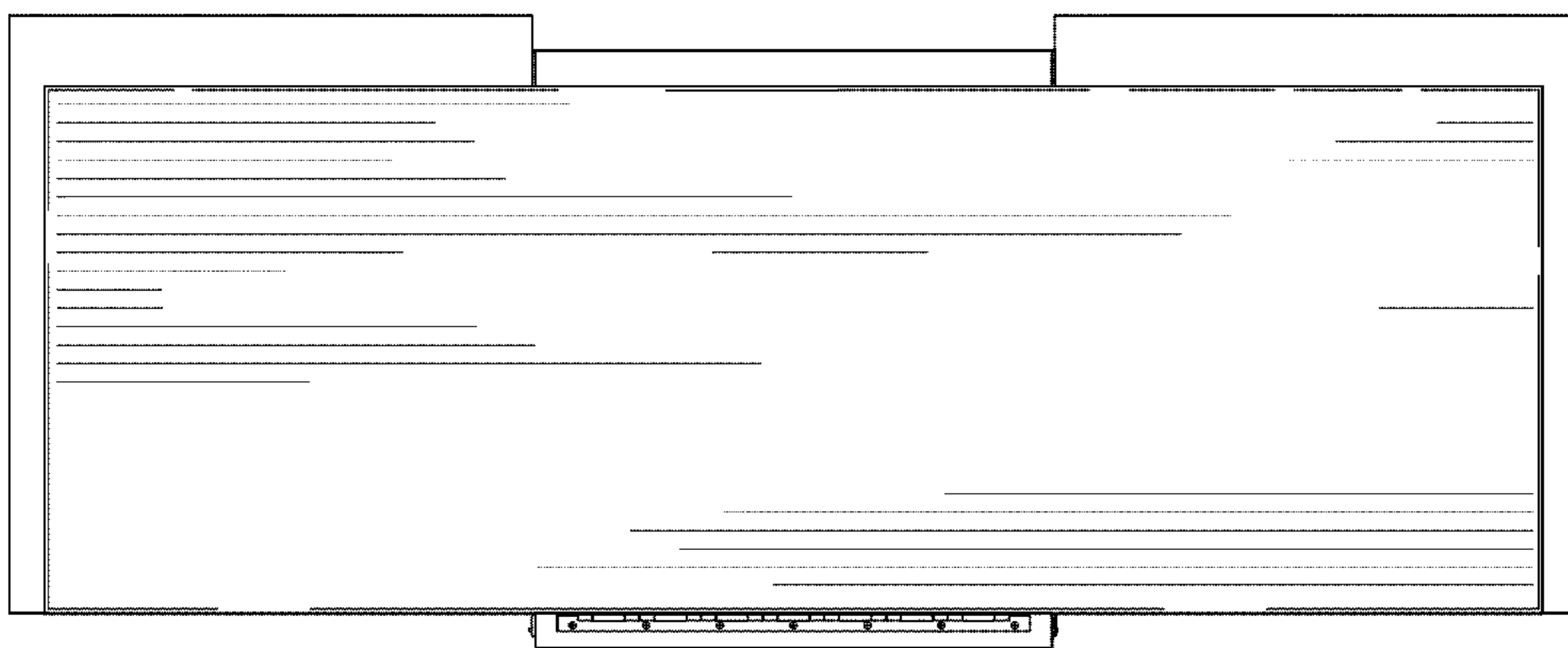


FIG. 14