



US00D648583S

(12) **United States Design Patent**  
**Debus**

(10) **Patent No.:** **US D648,583 S**

(45) **Date of Patent:** **\*\* Nov. 15, 2011**

(54) **TRIPLE PANE TABLETOP**

(76) **Inventor:** **Joel P. Debus**, San Diego, CA (US)

(\*\*) **Term:** **14 Years**

(21) **Appl. No.:** **29/376,458**

(22) **Filed:** **Oct. 7, 2010**

(51) **LOC (9) Cl.** ..... **06-06**

(52) **U.S. Cl.** ..... **D6/511**

(58) **Field of Classification Search** ..... D6/480-489,  
D6/429-431, 511; 108/150, 153.1, 155,  
108/156, 161; D7/625

See application file for complete search history.

(56) **References Cited**

**U.S. PATENT DOCUMENTS**

D254,113 S \* 2/1980 Vroman ..... D6/511  
D385,729 S \* 11/1997 Paus ..... D6/480  
D492,512 S \* 7/2004 Domack ..... D6/477

D535,122 S \* 1/2007 Lowsky ..... D6/480  
D545,085 S \* 6/2007 Lowsky ..... D6/480  
D609,947 S \* 2/2010 Coughaine et al. .... D6/511

\* cited by examiner

*Primary Examiner* — Janice Seeger

(74) *Attorney, Agent, or Firm* — Sinorica, LLC

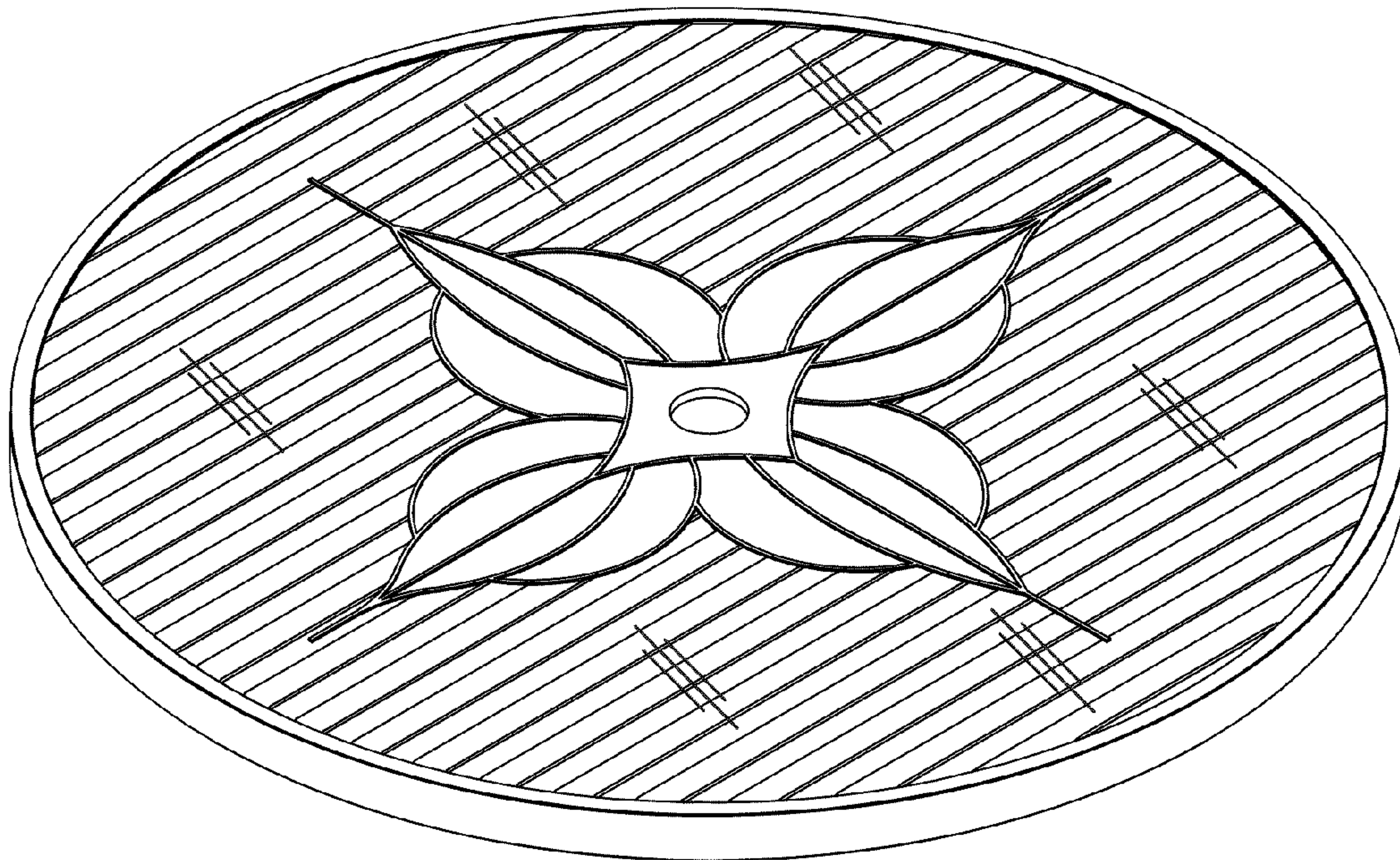
(57) **CLAIM**

The ornamental design of a triple pane tabletop, as shown and described.

**DESCRIPTION**

FIG. 1 is a perspective view of a triple pane tabletop;  
FIG. 2 is a front elevational view thereof;  
FIG. 3 is a rear elevational view thereof;  
FIG. 4 is a right-side elevational view thereof;  
FIG. 5 is a left-side elevational view thereof;  
FIG. 6 is a top plan view thereof; and,  
FIG. 7 is a bottom plan view thereof.

**1 Claim, 4 Drawing Sheets**



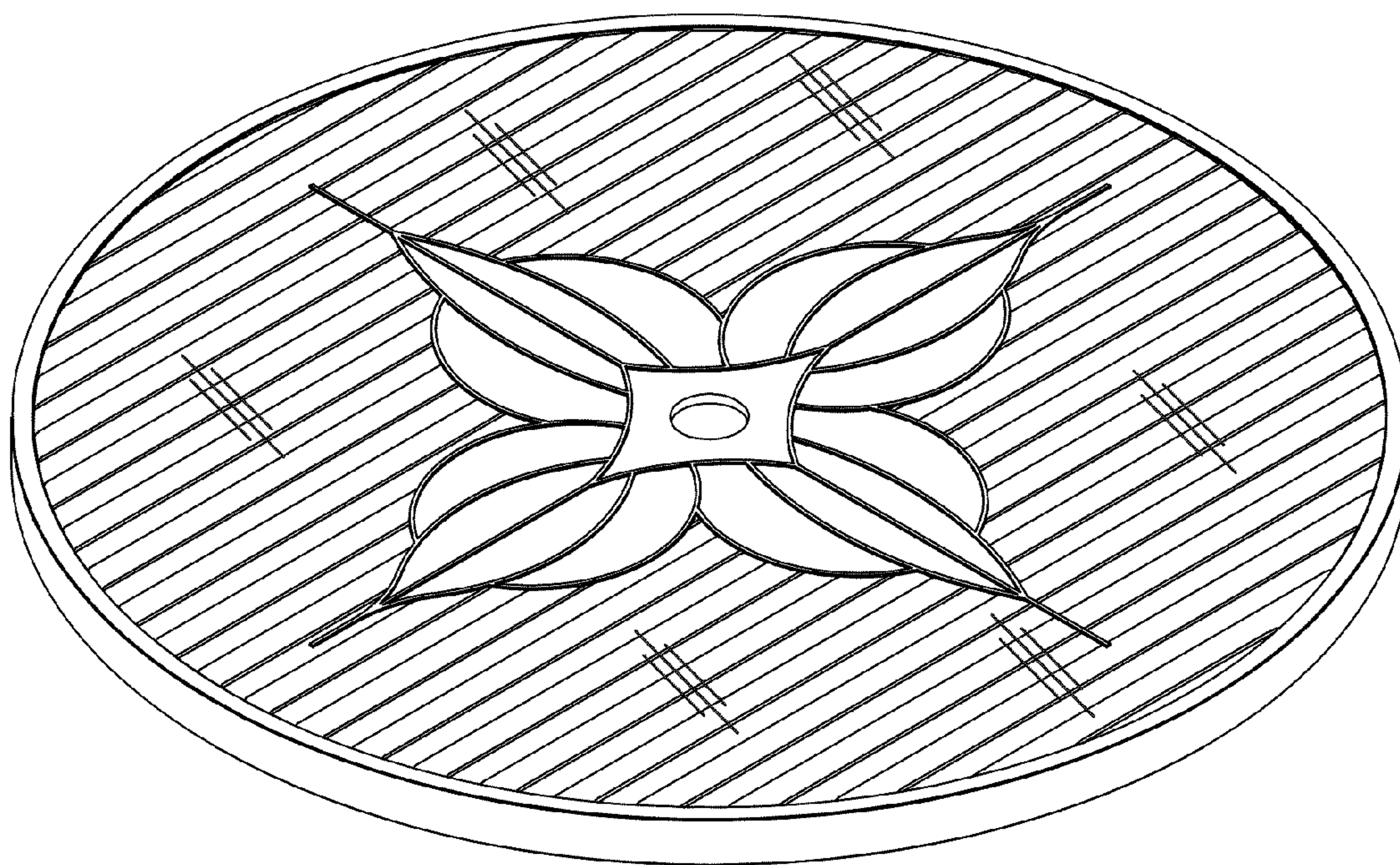


FIG. 1



FIG. 2



FIG. 3



FIG. 4

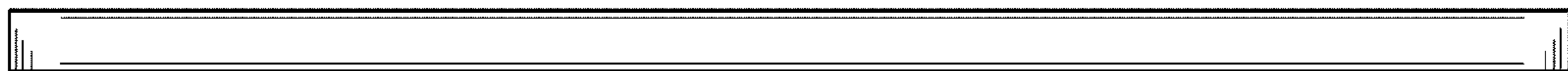


FIG. 5

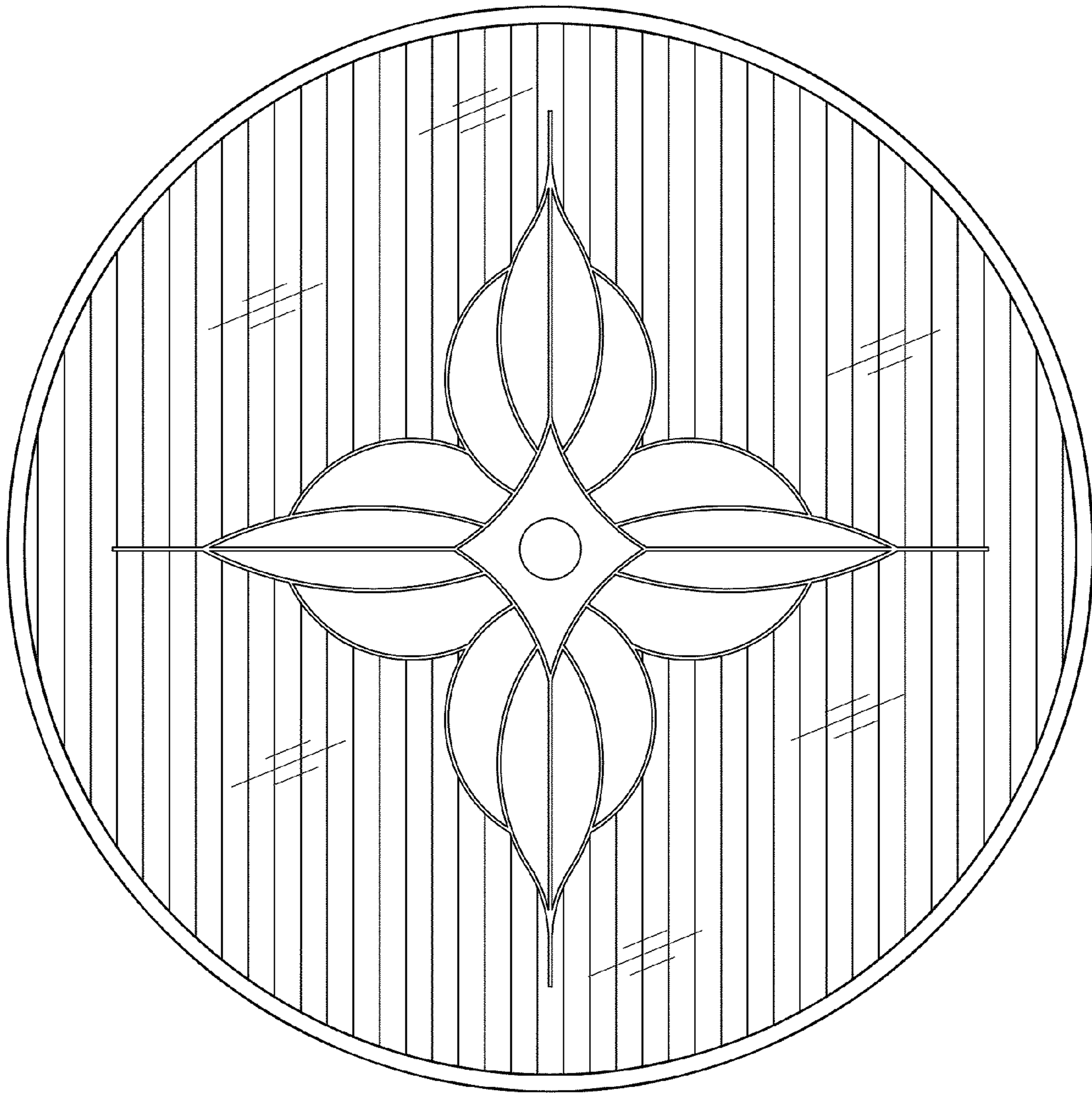


FIG. 6

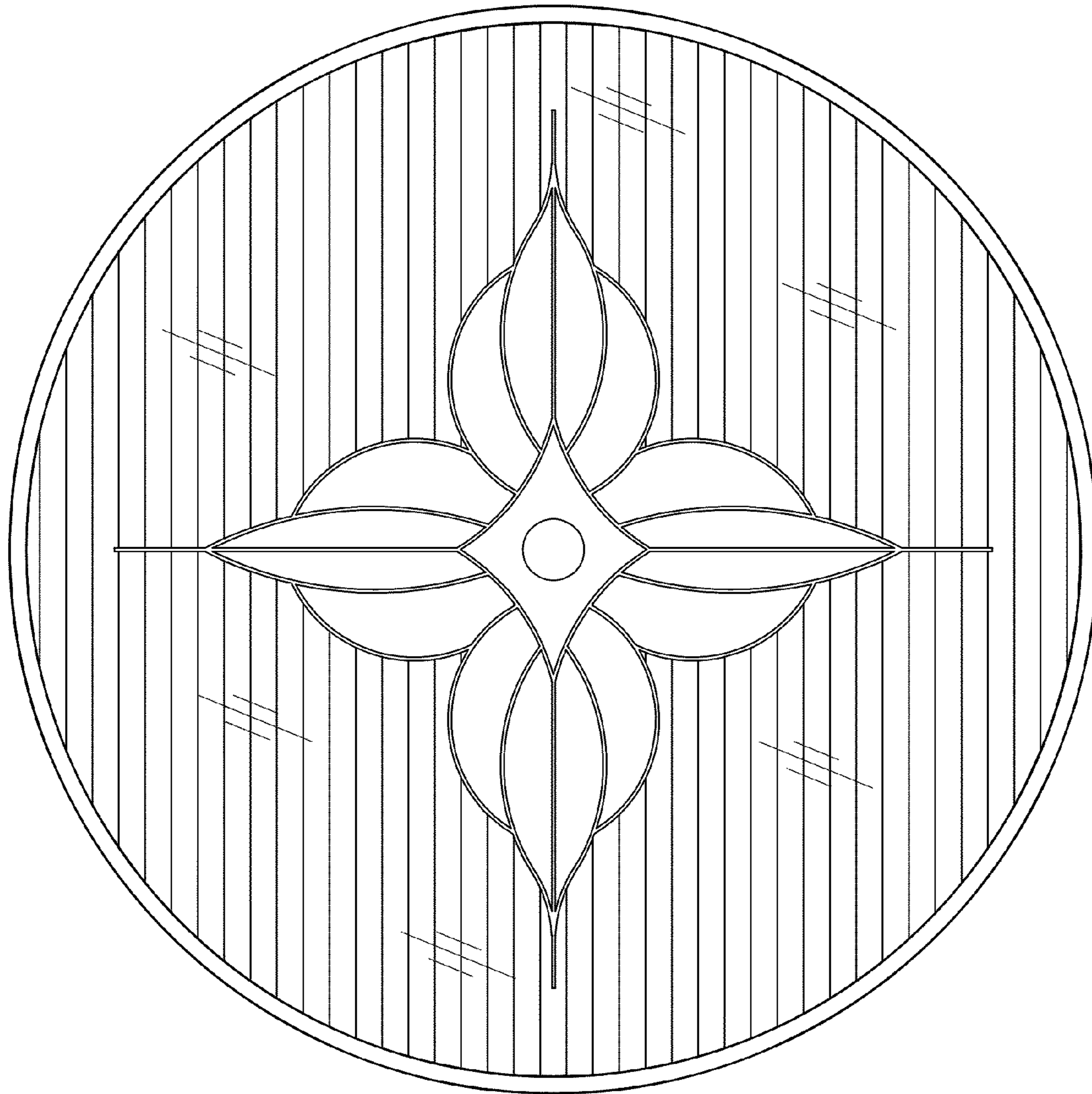


FIG. 7