

US00D648582S

(12) **United States Design Patent**  
**Le**

(10) **Patent No.:** **US D648,582 S**  
(45) **Date of Patent:** **\*\* Nov. 15, 2011**

- (54) **SHELVING CROSS MEMBER**
- (75) Inventor: **Johannes Le**, Huntington Beach, CA (US)
- (73) Assignee: **Cambro Manufacturing Co.**, Huntington Beach, CA (US)
- (\*\*) Term: **14 Years**
- (21) Appl. No.: **29/355,419**
- (22) Filed: **Feb. 8, 2010**
- (51) **LOC (9) Cl.** ..... **06-04**
- (52) **U.S. Cl.** ..... **D6/509; D6/495**
- (58) **Field of Classification Search** ..... D6/491-495, D6/509, 468, 499, 462, 464, 465, 477, 479; D25/122, 119, 60; 248/188.8, 188.4; 108/153, 108/156, 158, 157; D12/133; 211/183, 87.01; D13/155  
See application file for complete search history.

D473,661 S *	4/2003	Kim	.....	D25/60
D503,484 S *	3/2005	Deleu	.....	D25/122
D521,656 S *	5/2006	Terrels	.....	D25/122
D537,537 S *	2/2007	Antonic	.....	D25/122
D541,953 S *	5/2007	Deleu	.....	D25/122
D547,462 S *	7/2007	Petta et al.	.....	D25/122
D553,761 S *	10/2007	Antonic	.....	D25/122
D554,911 S *	11/2007	Chang	.....	D6/491
D561,353 S *	2/2008	Antonic	.....	D25/122
D596,319 S *	7/2009	Koehn	.....	D25/122
D611,169 S *	3/2010	Harder	.....	D25/122

\* cited by examiner

*Primary Examiner* — Philip S Hyder  
*Assistant Examiner* — Sydney R Buffalow

(57) **CLAIM**

I claim the ornamental design for a shelving cross member, as shown and described.

**DESCRIPTION**

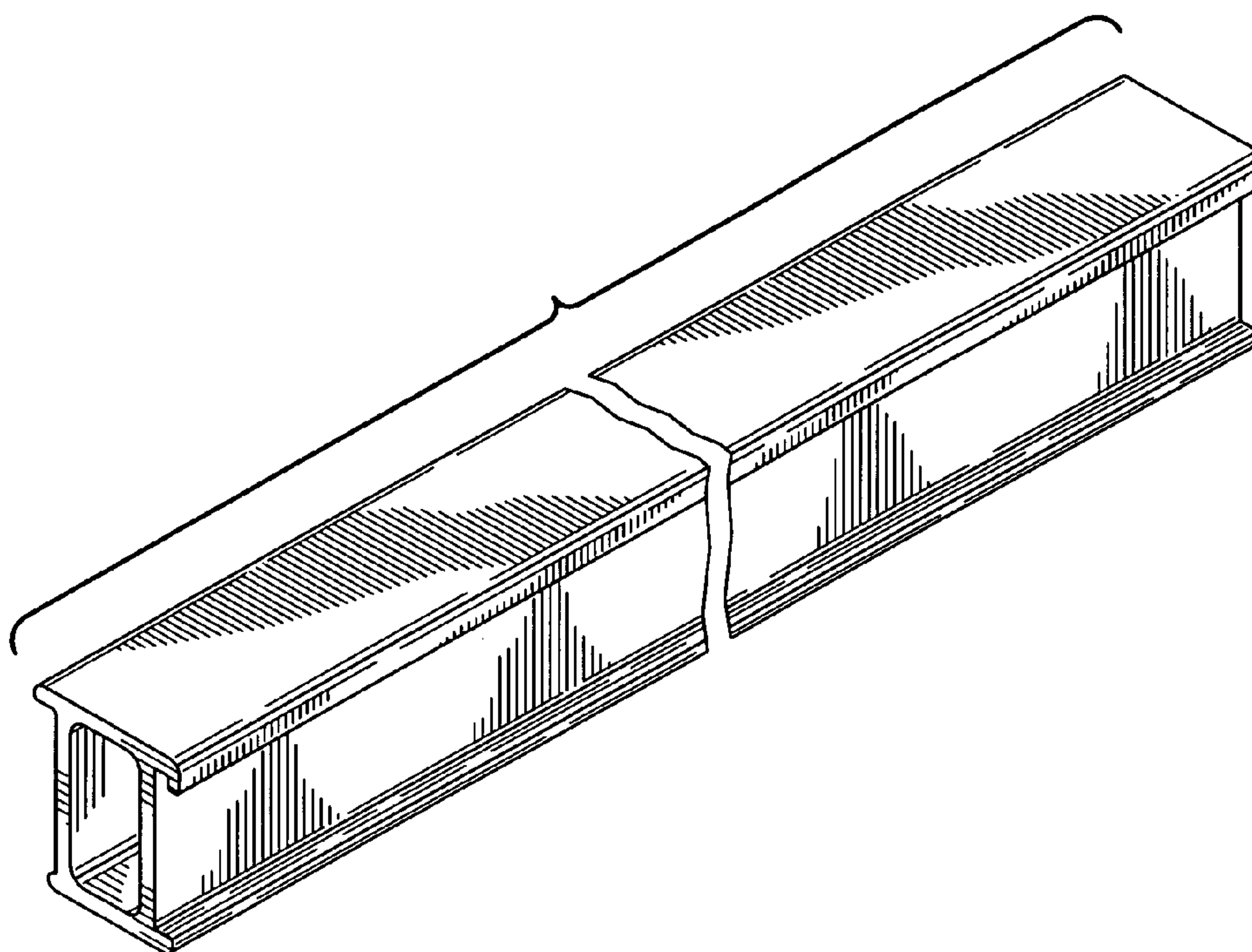
FIG. 1 is a perspective front left side top view of the shelving cross member.  
 FIG. 2 is a front elevation view thereof.  
 FIG. 3 is a left side elevation view thereof.  
 FIG. 4 is a top plan view thereof.  
 FIG. 5 is a right side elevation view thereof.  
 FIG. 6 is a back elevation view thereof.  
 FIG. 7 is a bottom plan view thereof; and,  
 FIG. 8 is a perspective top right side back view of shelving cross member in use.  
 The broken lines shown in the drawings are directed to environment, and are for informational purposes only and form no part of the claimed design.

**1 Claim, 3 Drawing Sheets**

(56) **References Cited**

U.S. PATENT DOCUMENTS

4,607,754 A *	8/1986	Wolf	.....	211/183
D289,633 S *	5/1987	Bramwell	.....	D13/155
D293,098 S *	12/1987	Layton	.....	D13/155
D329,556 S *	9/1992	Brussing	.....	D6/468
D371,208 S *	6/1996	De Zen	.....	D25/122
D398,463 S *	9/1998	Olson	.....	D6/491
5,803,273 A *	9/1998	Menaged et al.	.....	211/87.01
D407,828 S *	4/1999	Hart	.....	D25/122
D415,075 S *	10/1999	Lan	.....	D12/133
D471,646 S *	3/2003	Westphal et al.	.....	D25/122
D471,992 S *	3/2003	Hughes et al.	.....	D25/122



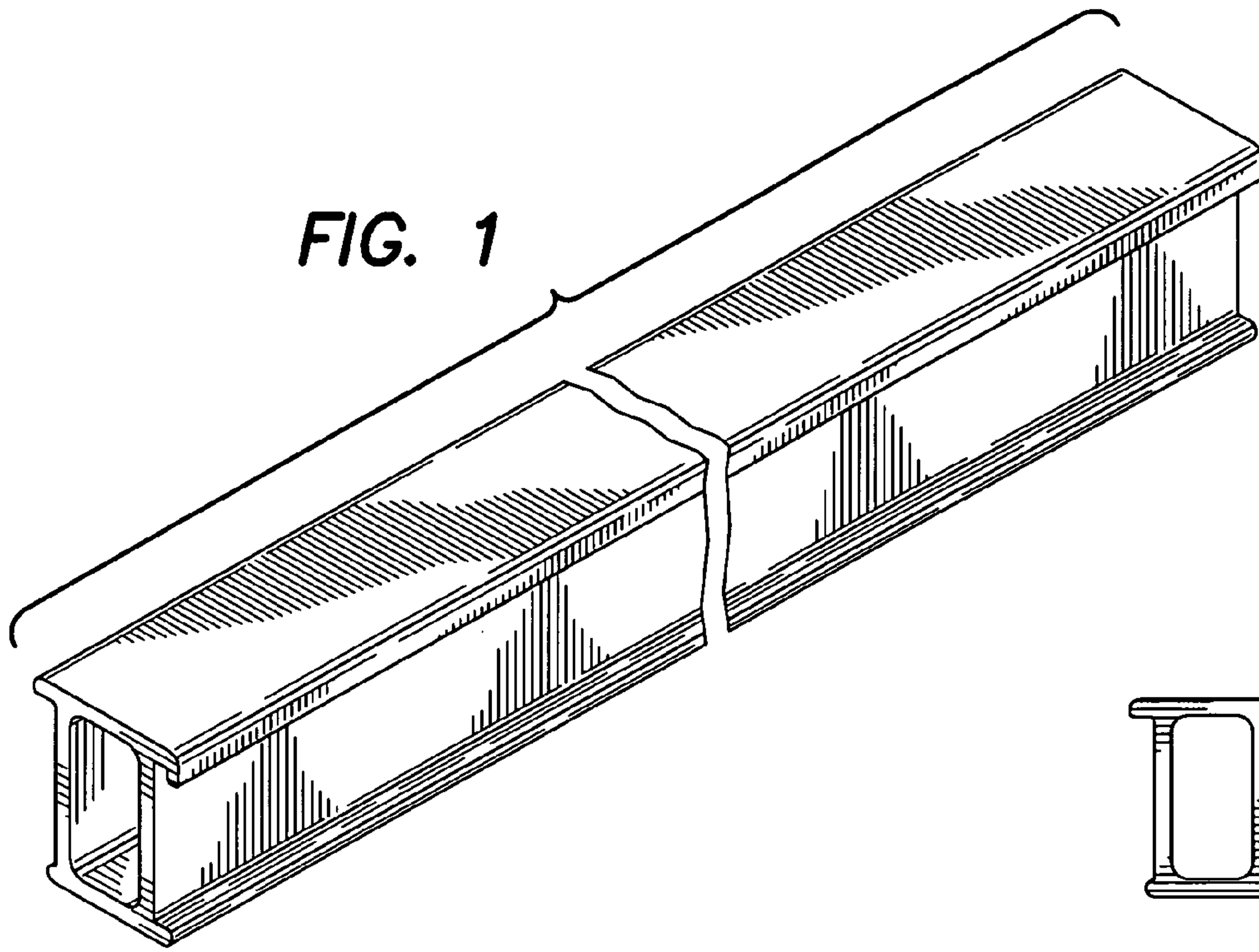


FIG. 1

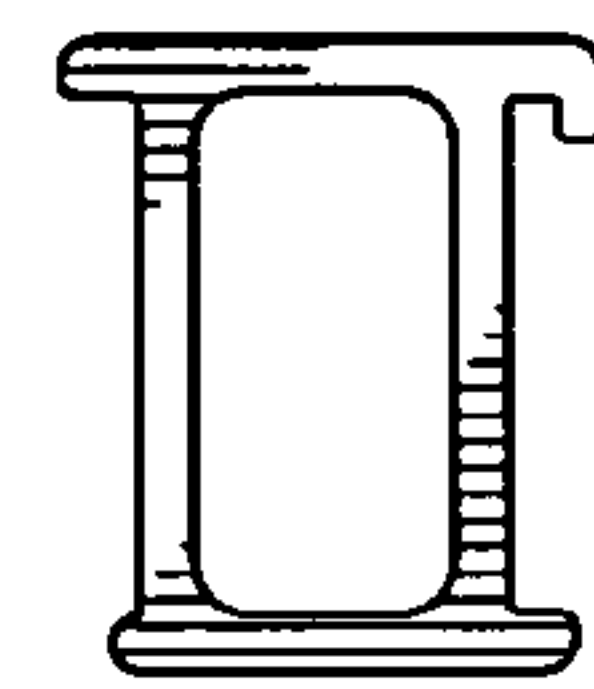


FIG. 3

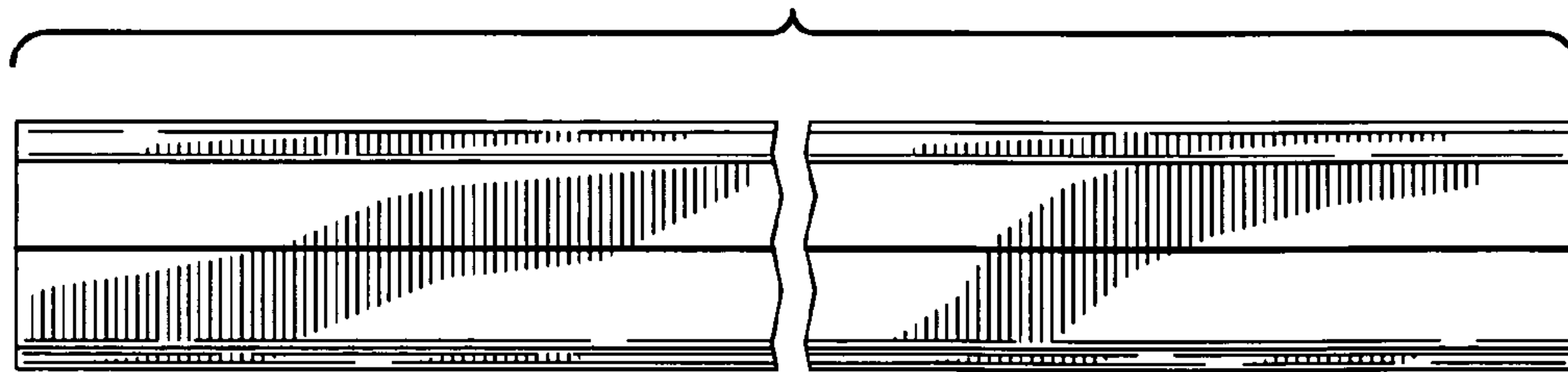


FIG. 2

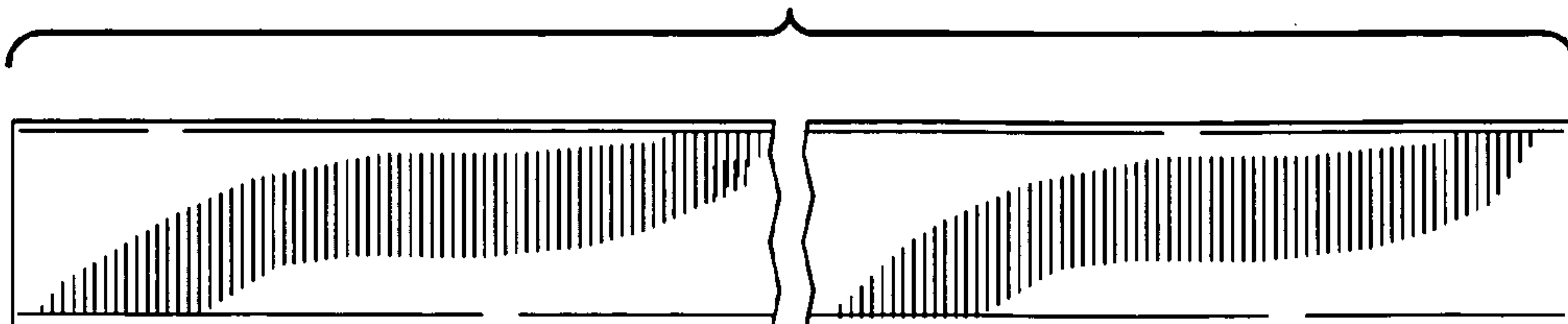
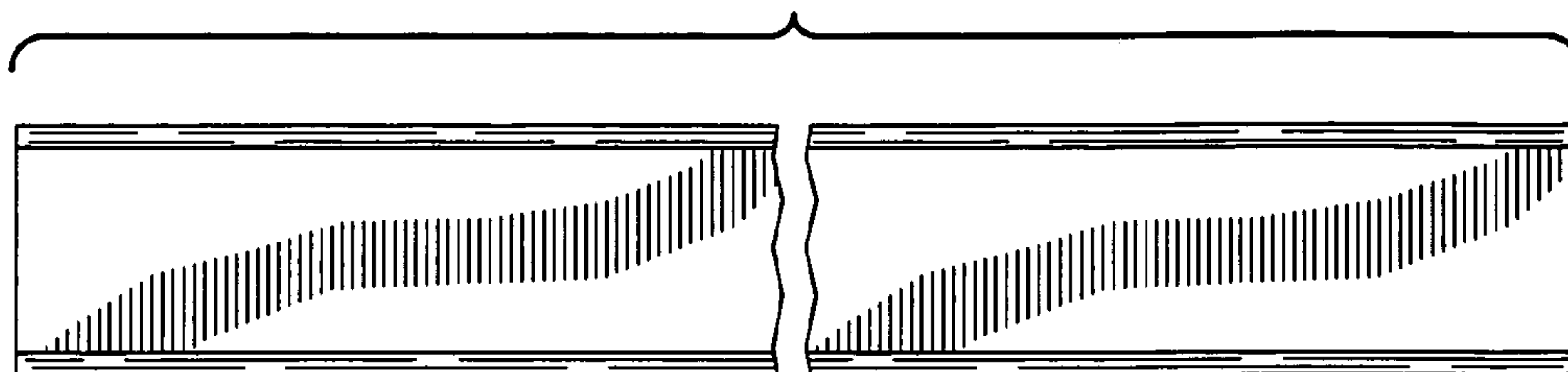
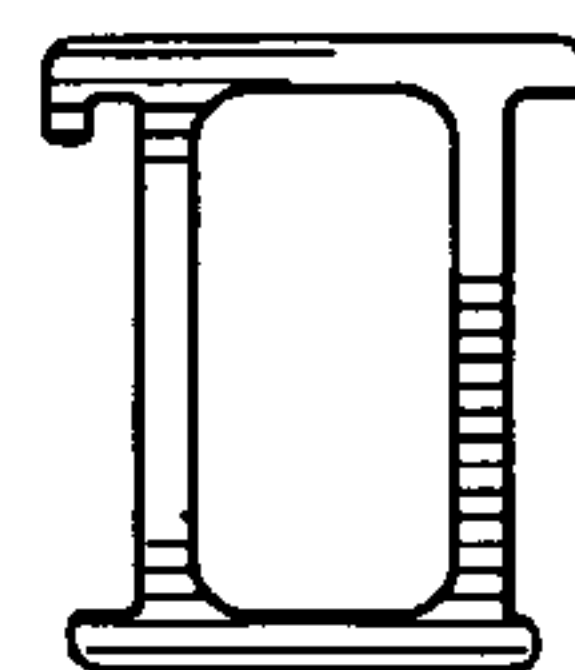


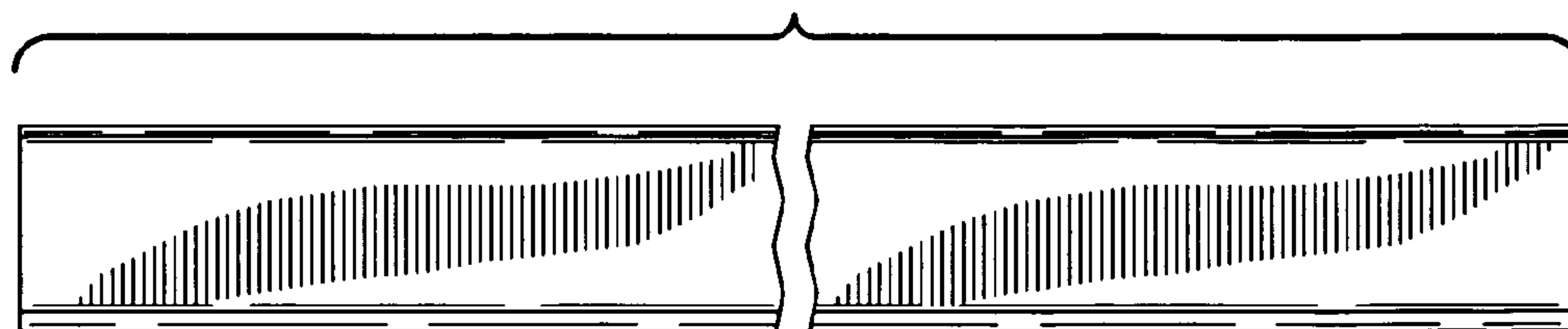
FIG. 4



**FIG. 6**



**FIG. 5**



**FIG. 7**



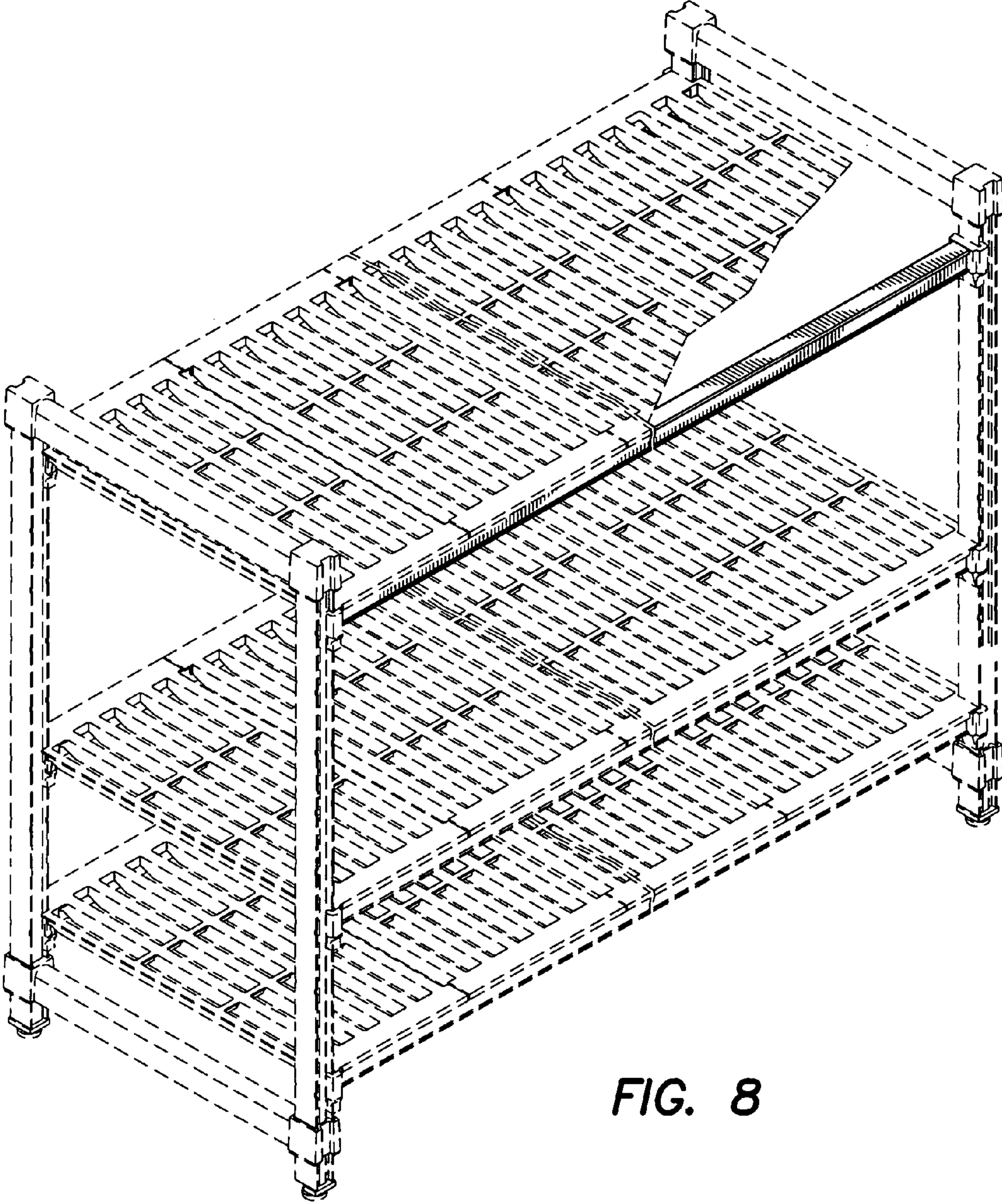


FIG. 8