

US00D648581S

(12) **United States Design Patent**
Rizzo

(10) **Patent No.:** **US D648,581 S**

(45) **Date of Patent:** **** Nov. 15, 2011**

(54) **CATERPILLAR FURNITURE**

(75) **Inventor:** **Charles Rizzo**, Chicago, IL (US)

(73) **Assignee:** **Skyline Design, Inc.**, Chicago, IL (US)

(**) **Term:** **14 Years**

(21) **Appl. No.:** **29/314,881**

(22) **Filed:** **May 7, 2009**

(51) **LOC (9) Cl.** **06-01**

(52) **U.S. Cl.** **D6/502**

(58) **Field of Classification Search** D6/340,
D6/349, 353, 354, 355, 491, 500-502; 297/195.1,
297/195.11, 175, 187, 215.16, 219.11, 423.1,
297/423.14, 423.16, 423.39, 423.41, 461,
297/462, 156, 158.2, 186, 214; 108/136-137
See application file for complete search history.

D274,286 S *	6/1984	Budde	D21/825
D274,347 S *	6/1984	Budde	D21/825
D286,345 S *	10/1986	Stanislawski et al.	D6/349
D309,681 S *	8/1990	Solomon et al.	D6/351
D375,855 S *	11/1996	Marx	D6/502
D384,211 S *	9/1997	Wied et al.	D6/351
D412,790 S *	8/1999	Dhing	D6/349
D413,355 S *	8/1999	Cogliano	D19/62
D424,123 S *	5/2000	Henriksen	D21/671
D428,716 S *	8/2000	Larger	D6/349
D480,885 S *	10/2003	Martin	D6/349
D508,809 S *	8/2005	Palardis	D6/597
D592,866 S *	5/2009	Siomades	D6/351
D592,868 S *	5/2009	Siomades	D6/359

* cited by examiner

Primary Examiner — Sandra Snapp

(74) *Attorney, Agent, or Firm* — Patents+TMS, P.C.

(57) **CLAIM**

The ornamental design for the caterpillar furniture, as shown.

DESCRIPTION

FIG. 1 is a perspective view of caterpillar furniture;
FIG. 2 is a top view thereof;
FIG. 3 is a side view thereof;
FIG. 4 is a perspective view of a second embodiment thereof;
FIG. 5 is a top view thereof;
FIG. 6 is a side view thereof;
FIG. 7 is a perspective view of a third embodiment thereof;
FIG. 8 is a top view thereof; and,
FIG. 9 is a side view thereof.

1 Claim, 3 Drawing Sheets

(56) **References Cited**

U.S. PATENT DOCUMENTS

D111,968 S *	11/1938	Holmes, Jr.	D6/351
D165,563 S *	12/1951	Turnbull	D6/351
D170,471 S *	9/1953	Meagher	D6/335
D193,241 S *	7/1962	Goldman	D6/335
D206,531 S *	12/1966	Ratford	D6/359
D218,817 S *	9/1970	Schildknecht	D6/351
D262,245 S *	12/1981	Kane	D6/358
4,379,587 A *	4/1983	Duncan	297/188.09
D273,967 S *	5/1984	Budde	D21/825

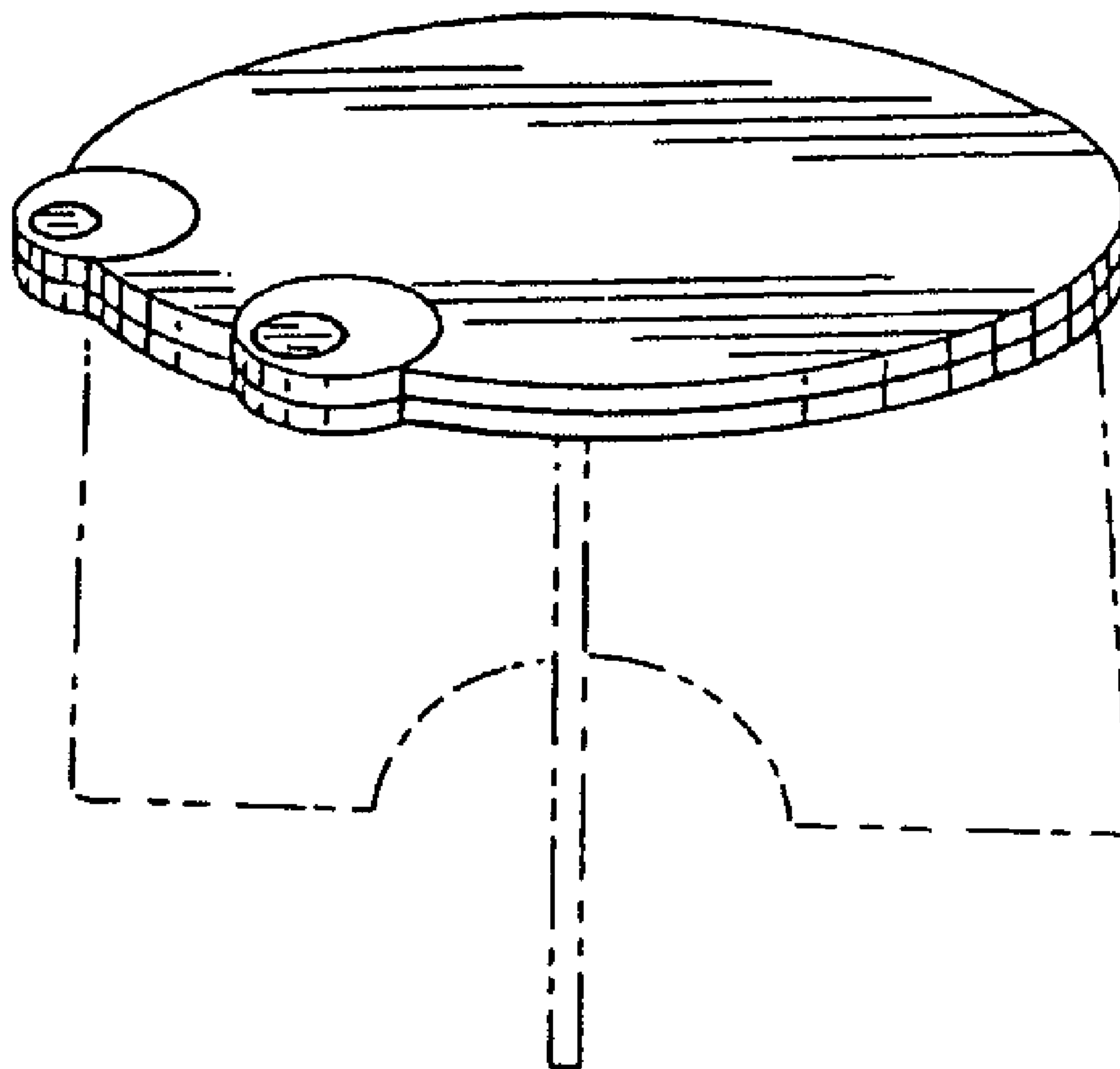


FIG.1

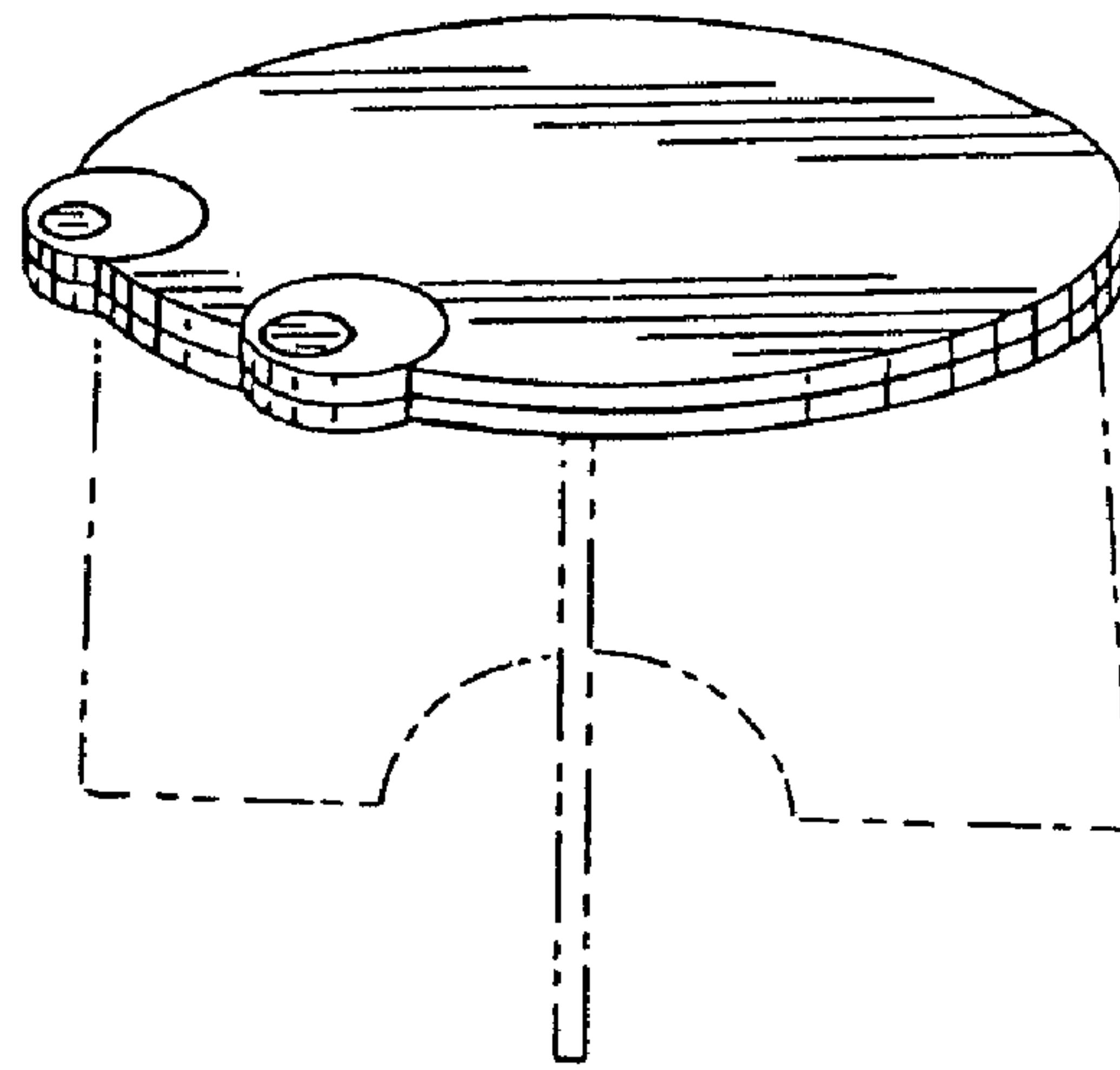


FIG.2

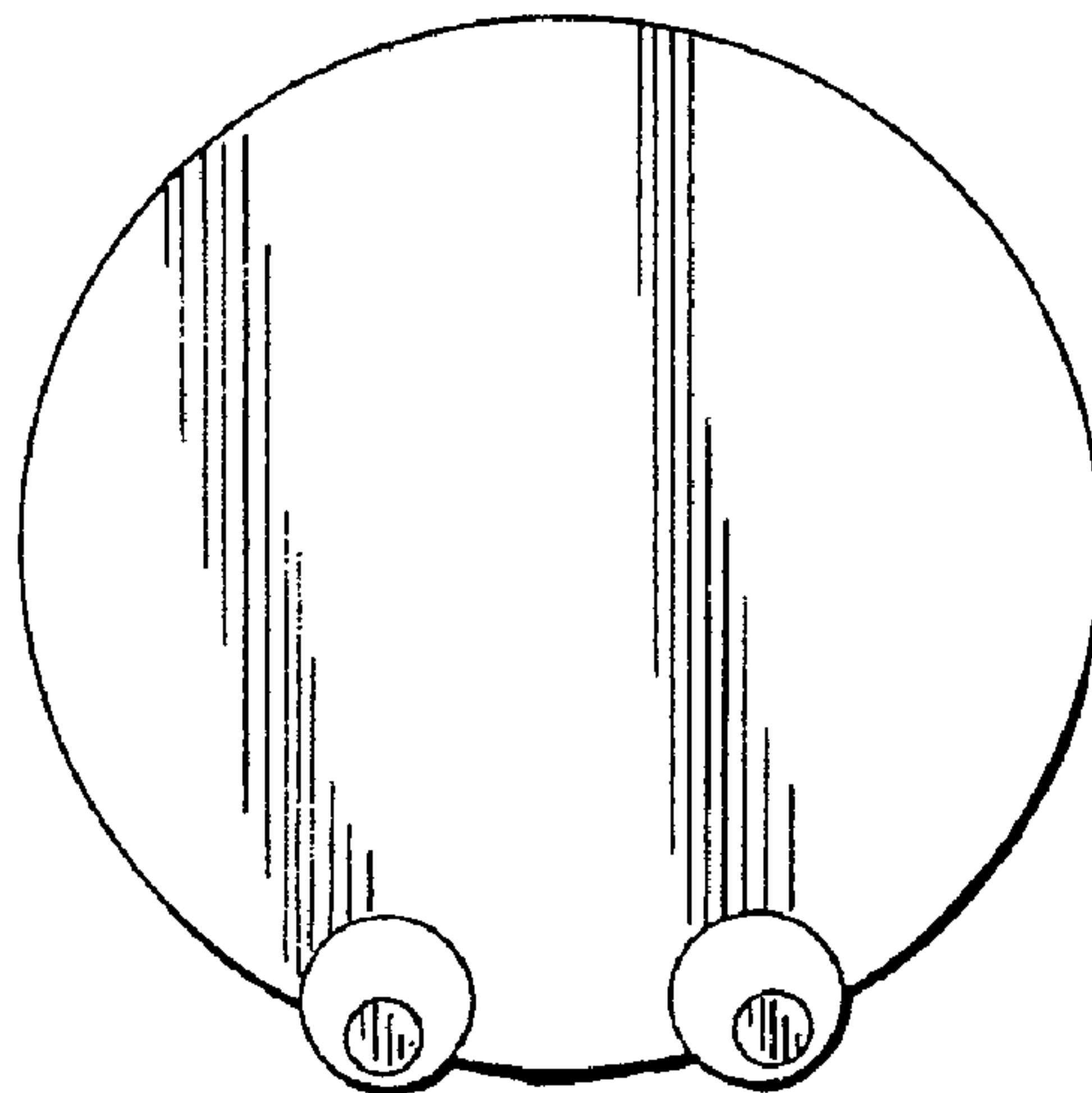


FIG.3

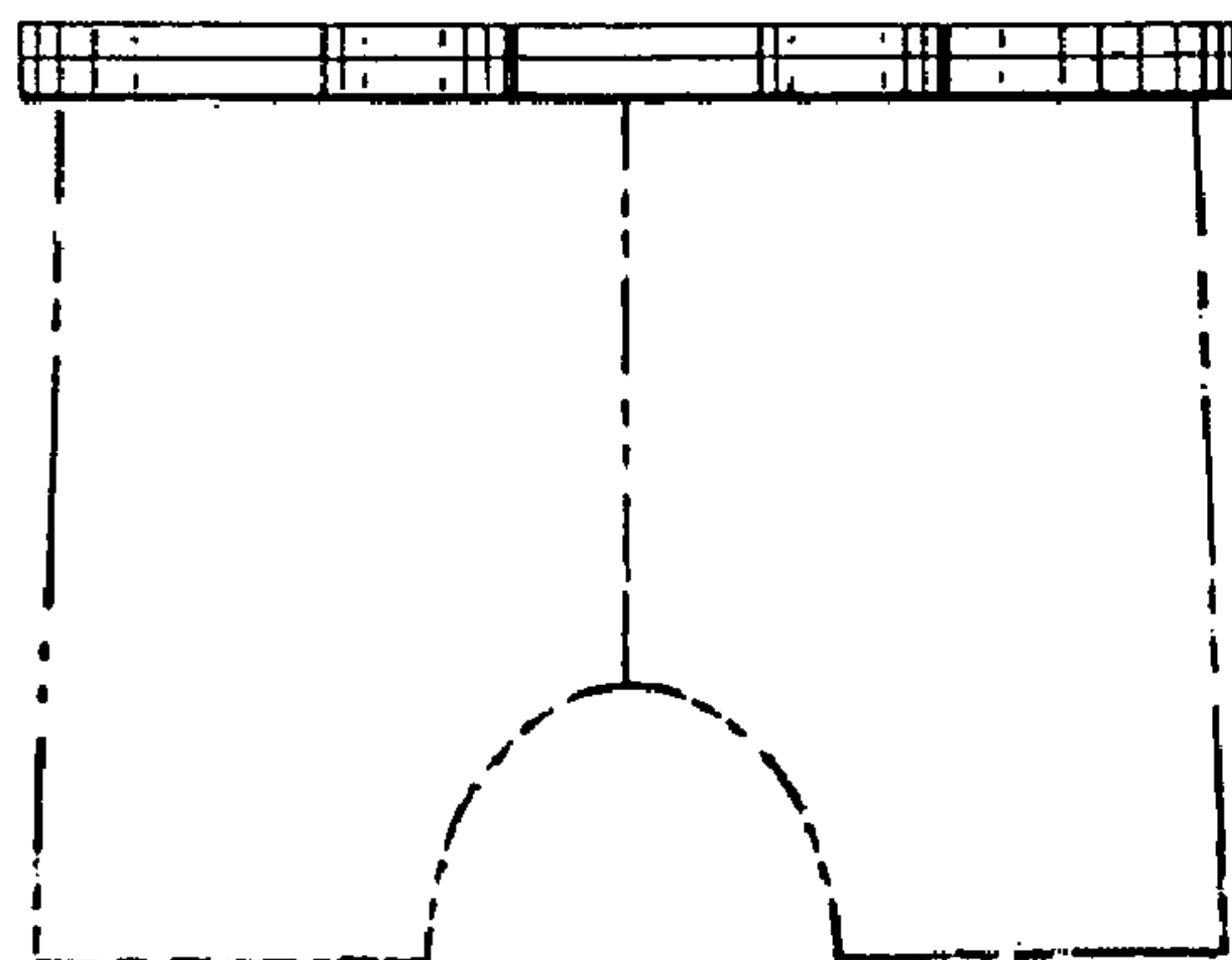


FIG.4

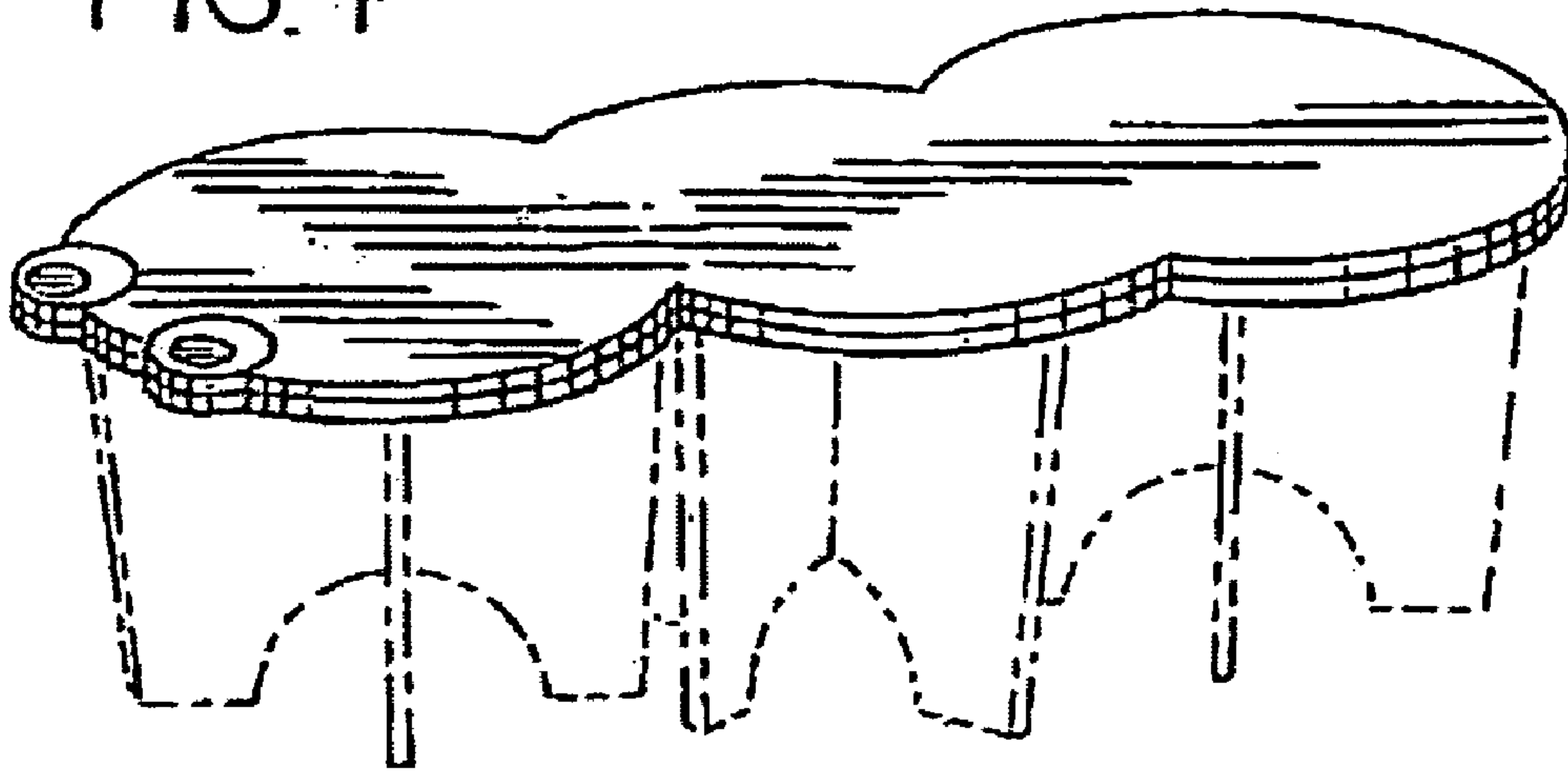


FIG.5

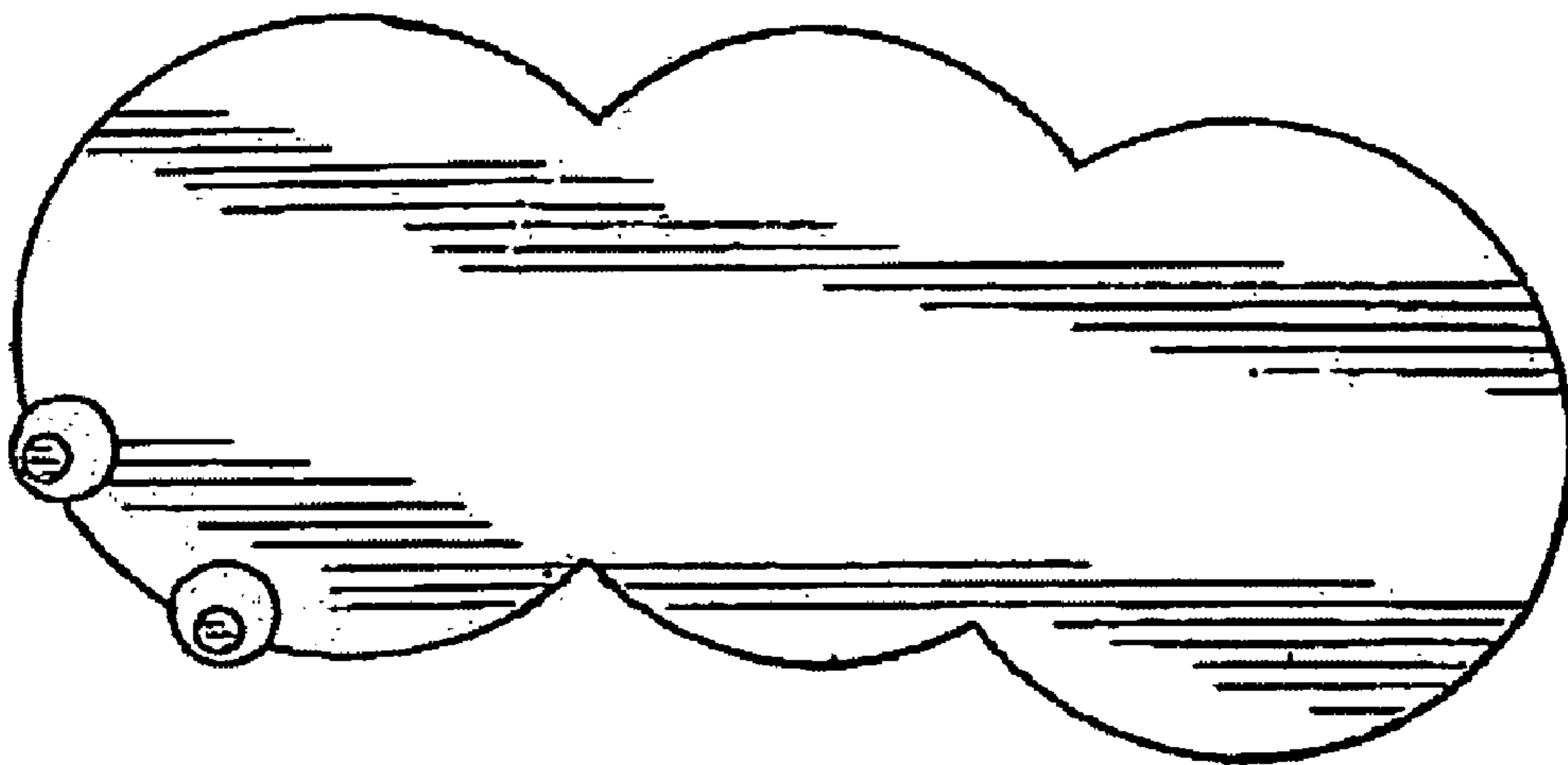


FIG.6

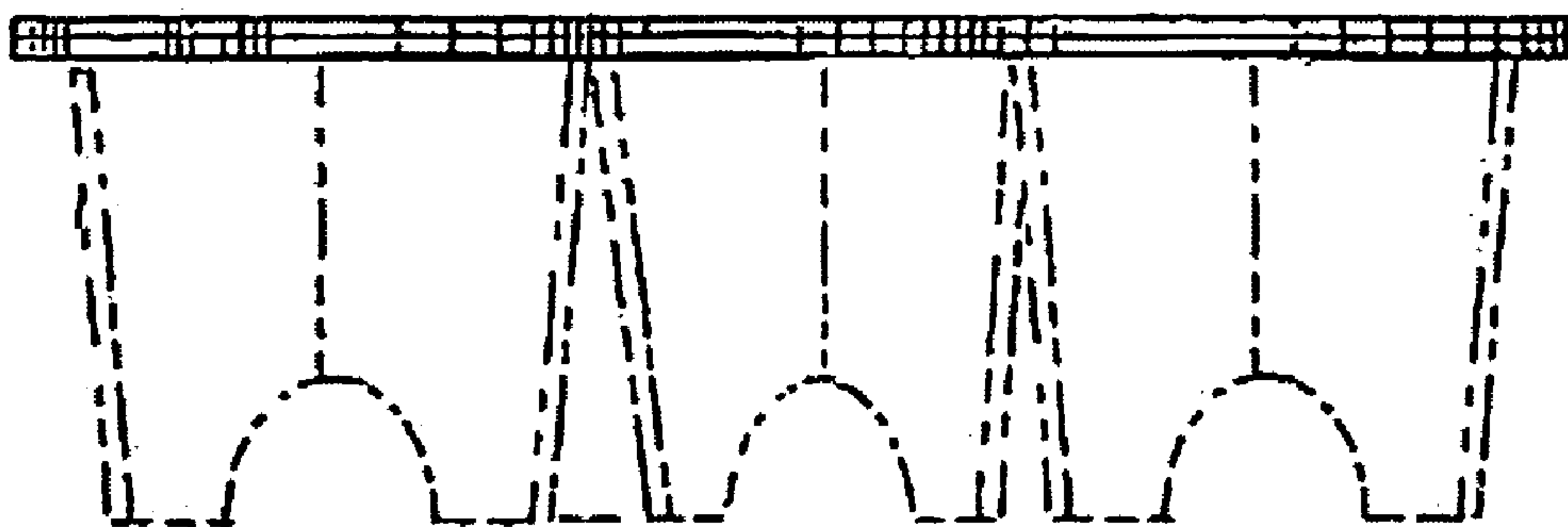


FIG.7

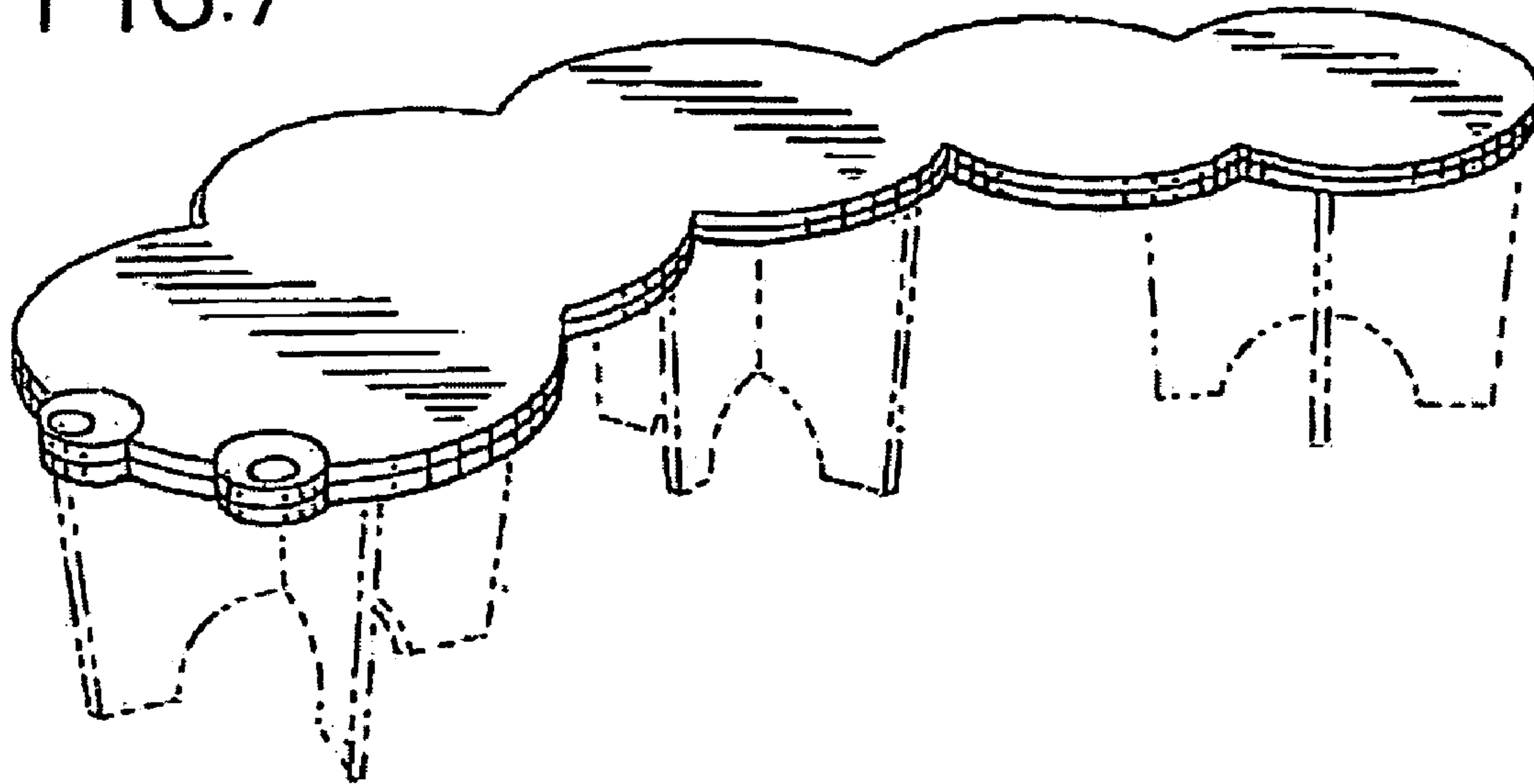


FIG.8

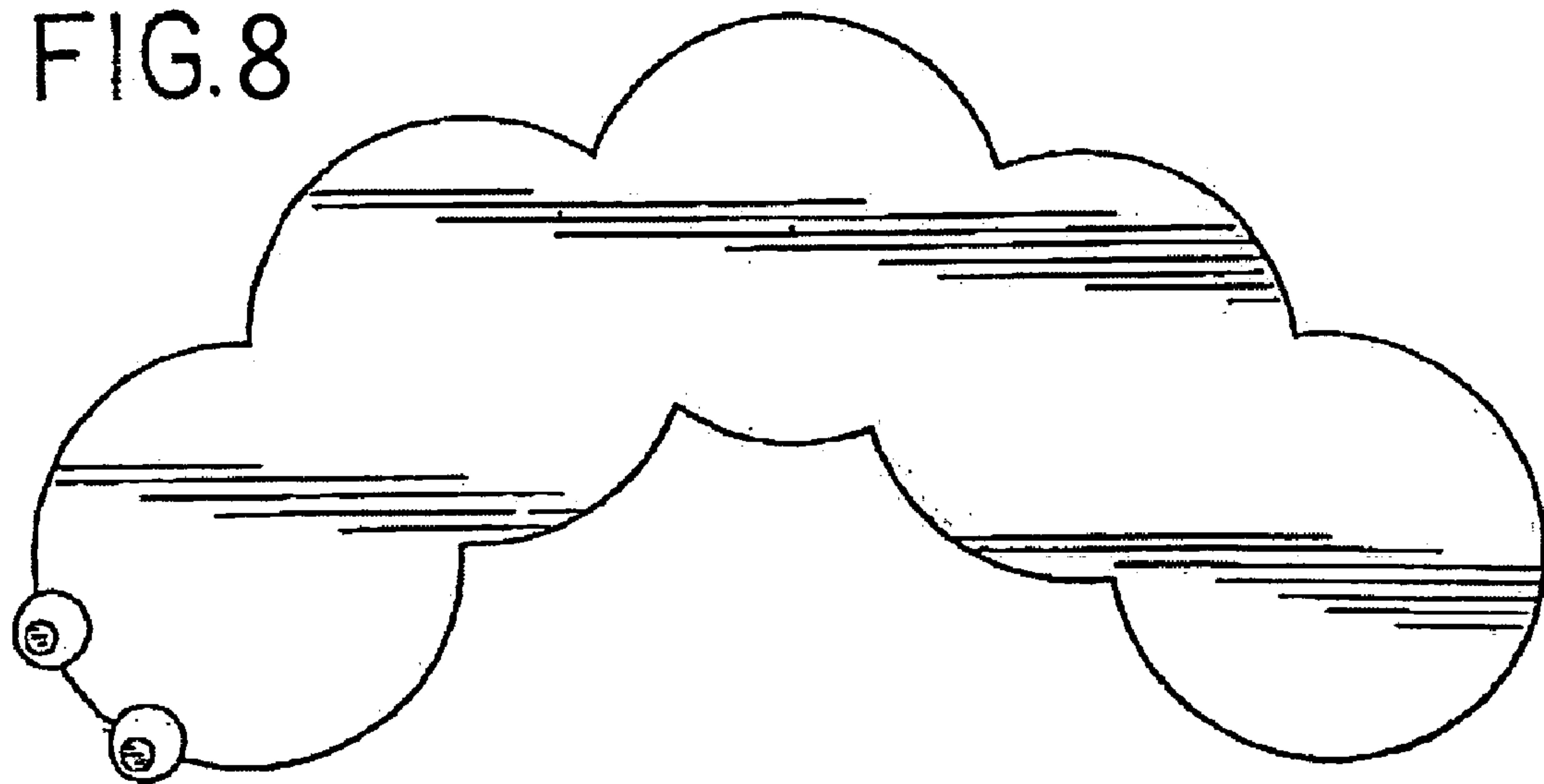


FIG.9

