



US00D648579S

(12) **United States Design Patent**  
**Gasser**

(10) **Patent No.:** **US D648,579 S**

(45) **Date of Patent:** **\*\* Nov. 15, 2011**

(54) **CHAIR SEAT**

(75) Inventor: **Mark E. Gasser**, Hubbard, OH (US)

(73) Assignee: **Gasser Chair Company, Inc.**,  
Youngstown, OH (US)

(\*\*) Term: **14 Years**

(21) Appl. No.: **29/361,878**

(22) Filed: **May 17, 2010**

(51) **LOC (9) Cl.** ..... **06-01**

(52) **U.S. Cl.** ..... **D6/500**

(58) **Field of Classification Search** ..... D6/334,  
D6/335, 337, 349, 353, 380, 381, 500-502,  
D6/374; 297/14, 43, 44, 118, 140, 245, 300.1,  
297/311, 353, 354.1, 445.1, 446.1, 446.2,  
297/447.4, 465, 900, DIG. 2, DIG. 7; 5/12.1,  
5/12.2

See application file for complete search history.

(56) **References Cited**

U.S. PATENT DOCUMENTS

3,041,110	A *	6/1962	King et al.	.....	297/451.1
3,159,428	A *	12/1964	Schier	.....	297/452.65
4,768,833	A *	9/1988	Virtue	.....	297/440.2
D297,890	S *	10/1988	Hockenberry et al.	.....	D6/367
D382,150	S *	8/1997	Balderi et al.	.....	D6/502
D386,910	S *	12/1997	Saiger	.....	D6/334
D393,956	S *	5/1998	Kane	.....	D6/374
D401,769	S *	12/1998	Kaiser	.....	D6/334
D432,321	S *	10/2000	Buehler	.....	D6/334
D437,124	S *	2/2001	Kemnitzner	.....	D6/334
D469,263	S *	1/2003	Clark et al.	.....	D6/334
D498,366	S *	11/2004	Barile et al.	.....	D6/369

D521,264	S *	5/2006	Ware et al.	.....	D6/374
D546,569	S *	7/2007	Jones	.....	D6/334
D555,381	S *	11/2007	Swanson	.....	D6/380
D558,480	S *	1/2008	Olano Jauregui	.....	D6/379
D573,804	S *	7/2008	Bartlmae	.....	D6/374
D589,275	S *	3/2009	Kubryk	.....	D6/374
D591,968	S *	5/2009	Pinaffo et al.	.....	D6/380
D591,969	S *	5/2009	Overthun et al.	.....	D6/380
D593,336	S *	6/2009	Ciani et al.	.....	D6/374
D610,844	S *	3/2010	Muller	.....	D6/502
D617,570	S *	6/2010	Kubryk	.....	D6/380

\* cited by examiner

*Primary Examiner* — Sandra Snapp

(74) *Attorney, Agent, or Firm* — Lerner, David, Littenberg,  
Krumholz & Mentlik, LLP

(57) **CLAIM**

The ornamental design for a chair seat, as shown and described.

**DESCRIPTION**

FIG. 1 is a front perspective view of a chair seat, in accordance with the present invention;

FIG. 2 is a front elevation view of the chair seat as shown in FIG. 1;

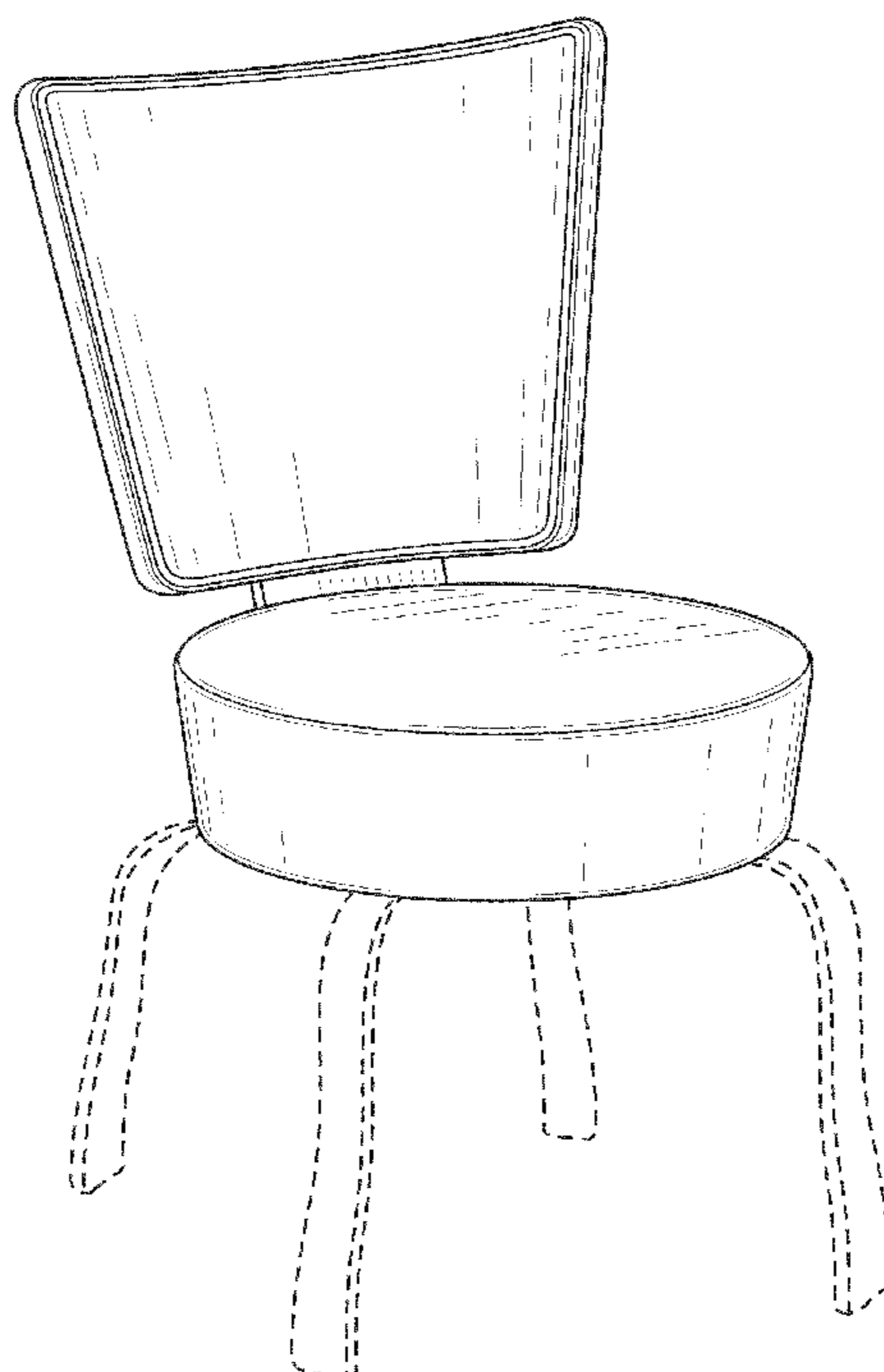
FIG. 3 is a back elevation view of the chair seat as shown in FIG. 1;

FIG. 4 is a left side elevation view of the chair seat as shown in FIG. 1;

FIG. 5 is a right side elevation view of the chair seat as shown in FIG. 1; and,

FIG. 6 is a top plan view of the chair seat as shown in FIG. 1. The broken lines shown in the drawings are for illustrative purposes only and form no part of the claimed design.

**1 Claim, 6 Drawing Sheets**



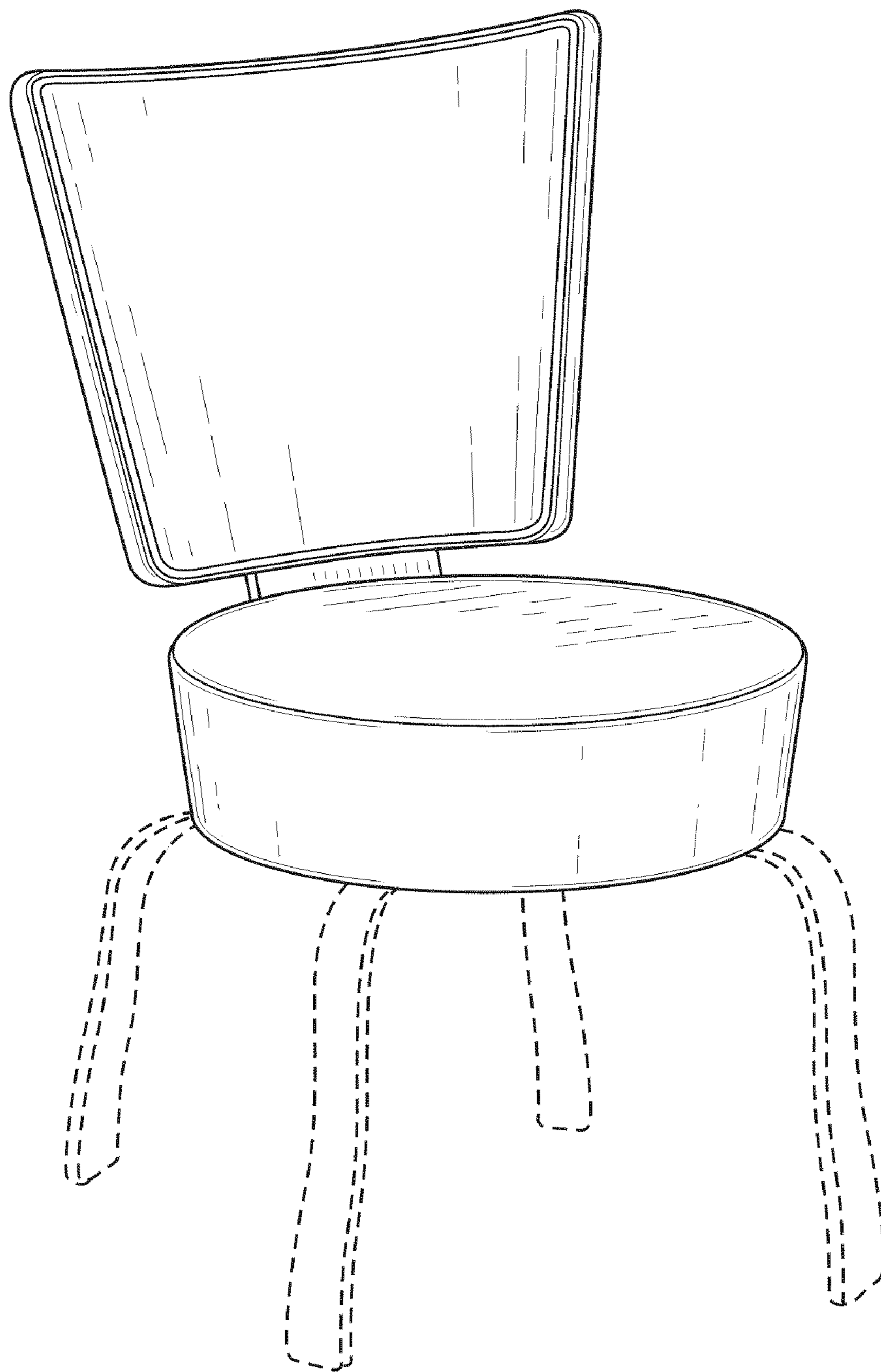


FIG. 1

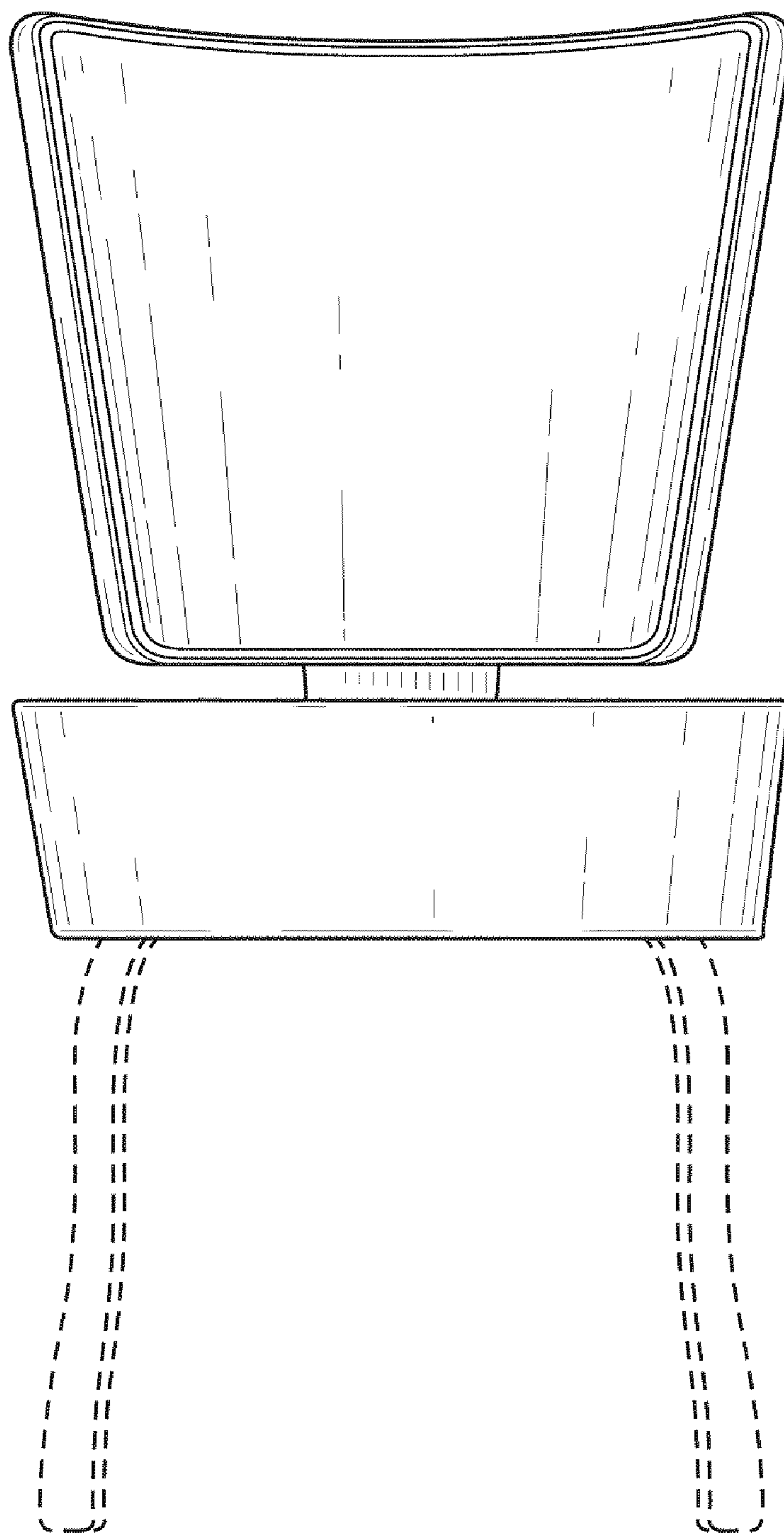


FIG. 2

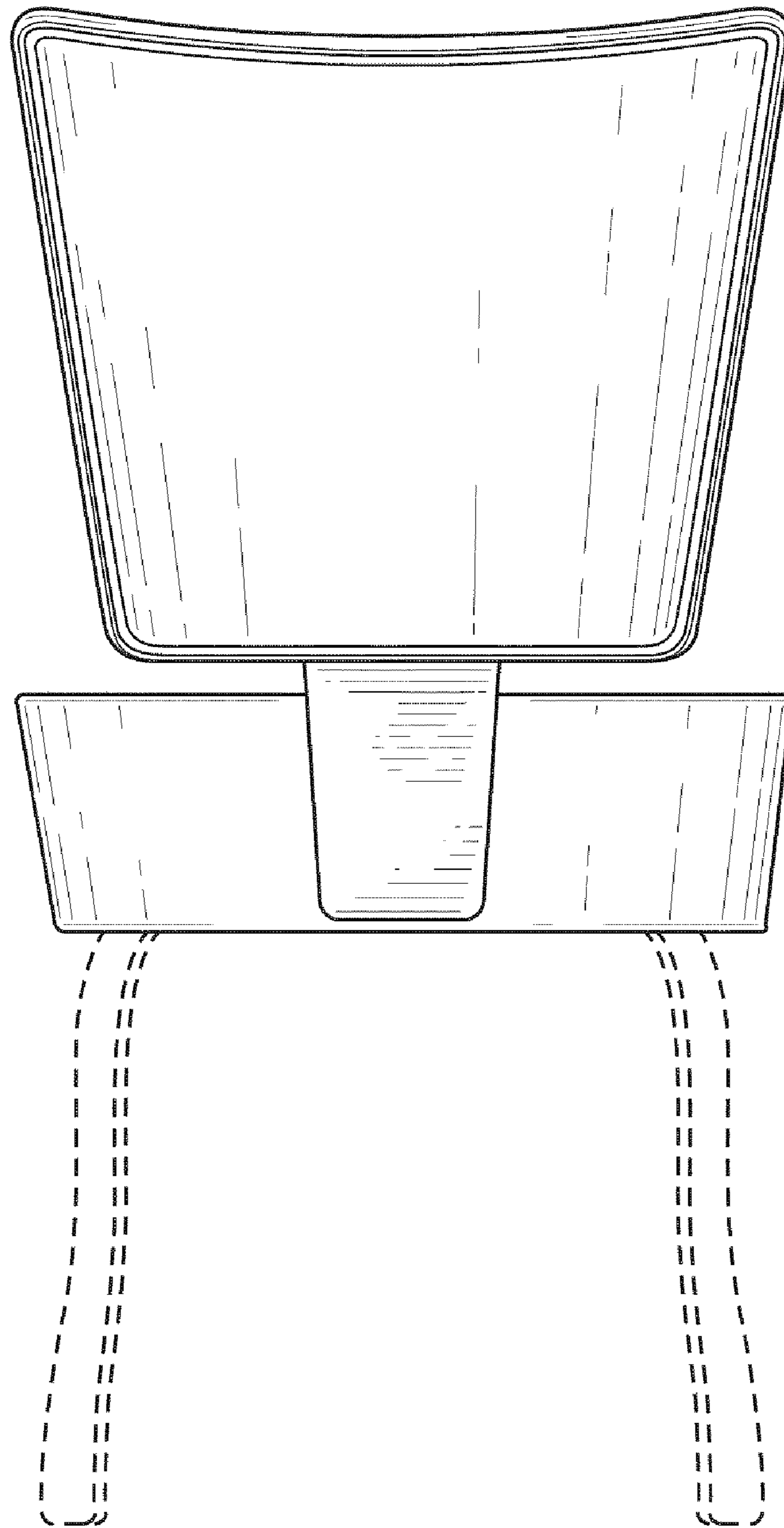


FIG. 3

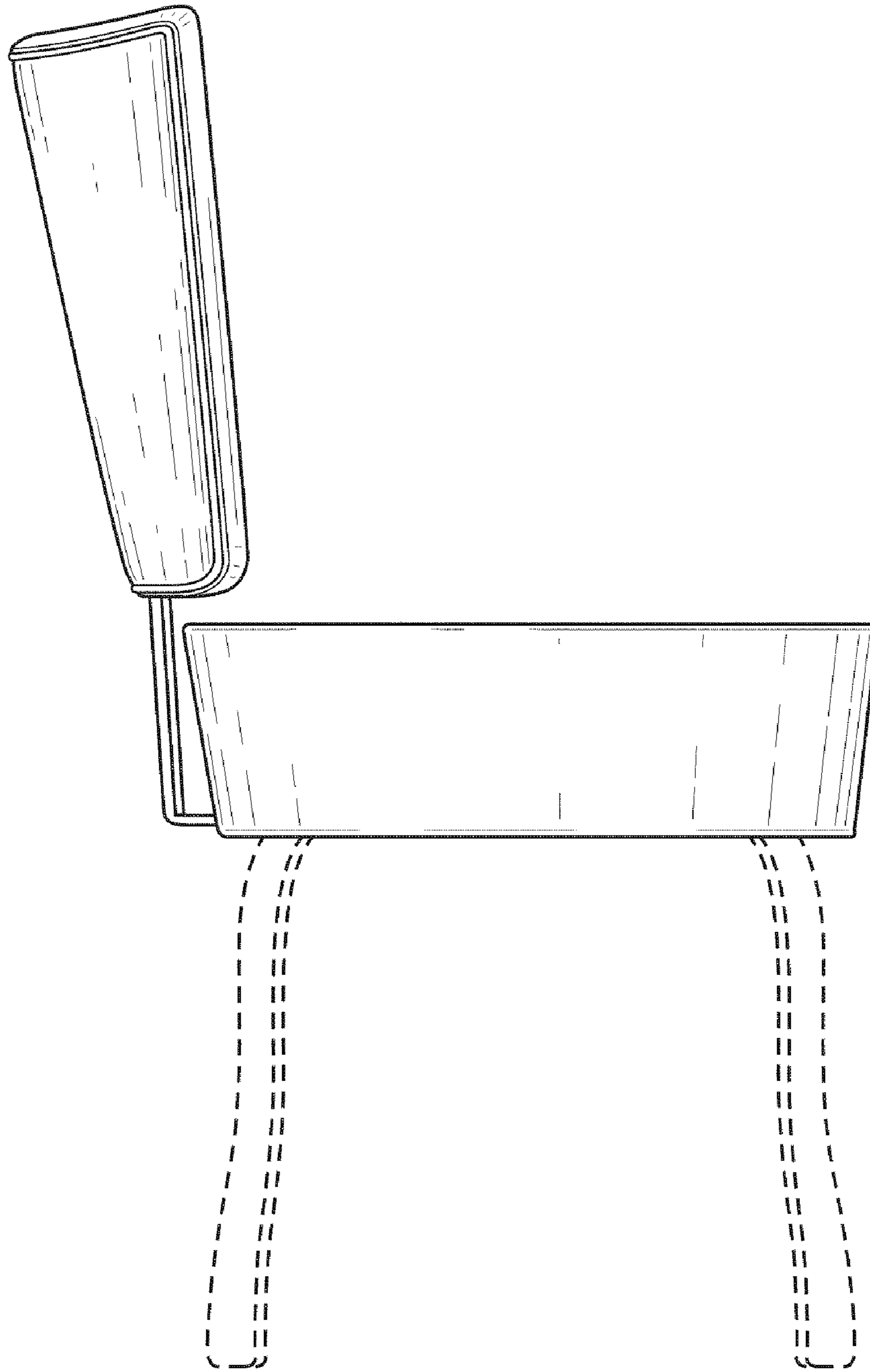


FIG. 4

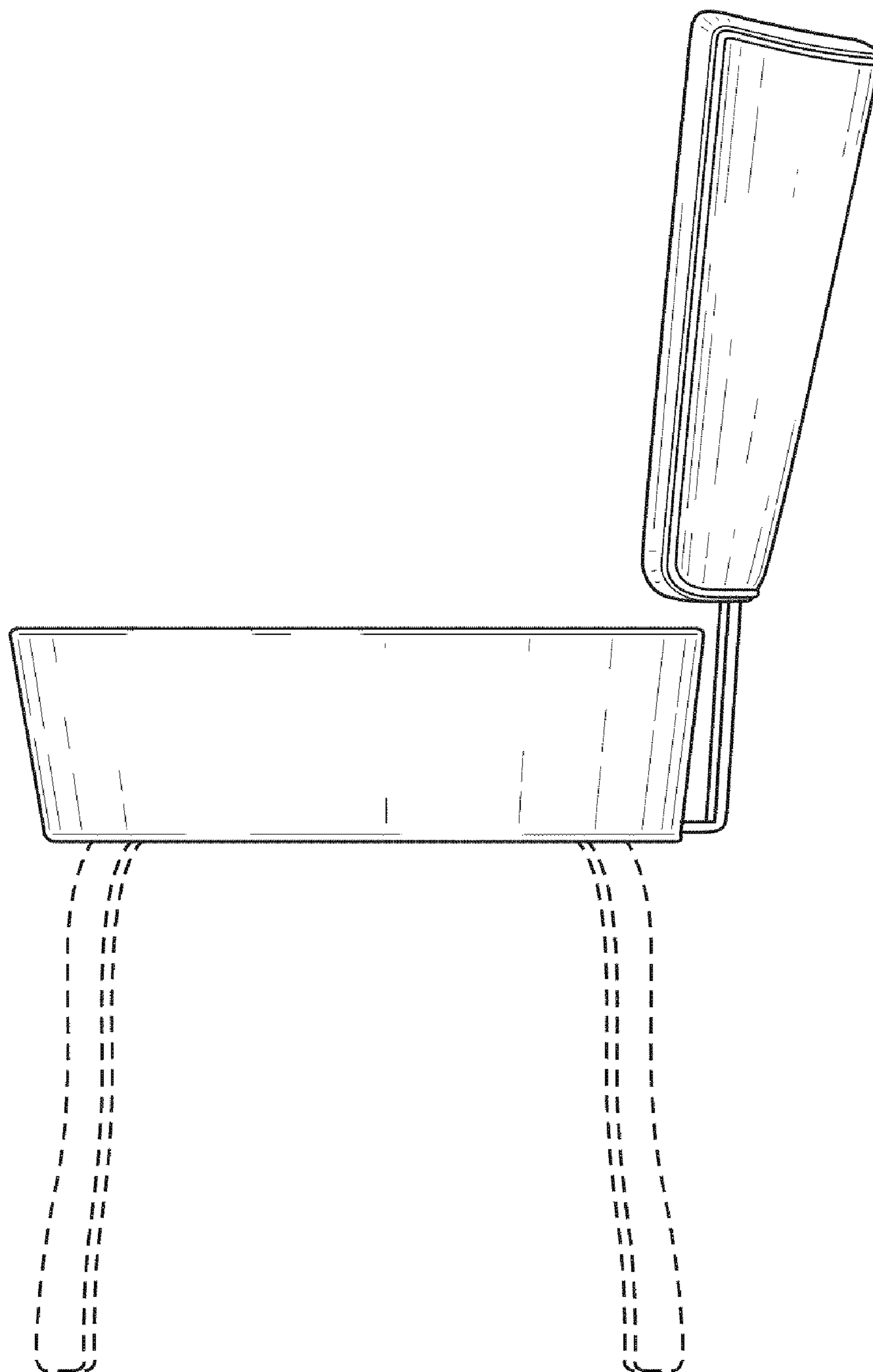


FIG. 5

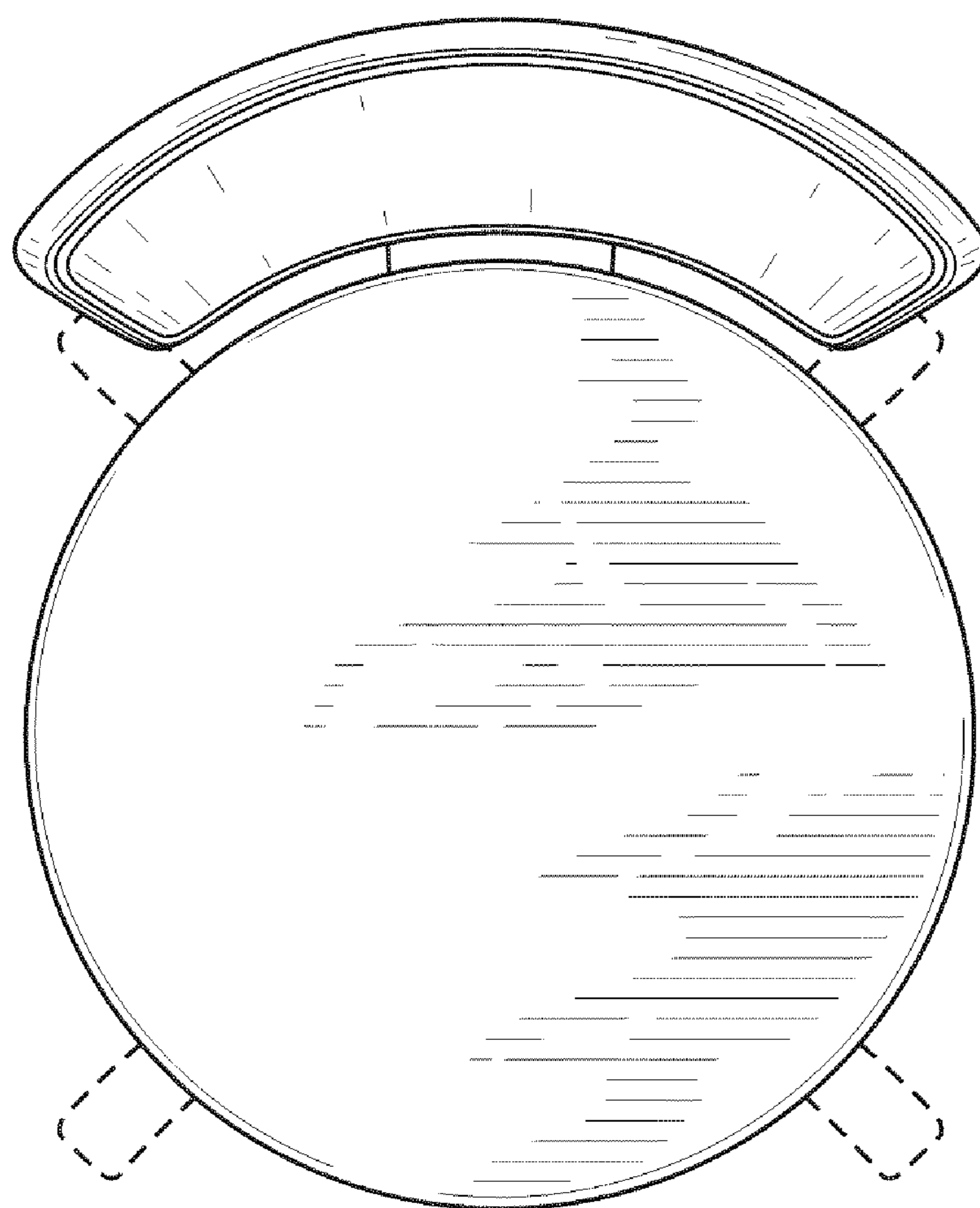


FIG. 6