



US00D648576S

(12) **United States Design Patent**
McGeeney

(10) **Patent No.:** **US D648,576 S**

(45) **Date of Patent:** **** Nov. 15, 2011**

(54) **ADJUSTABLE T SHAPE HAIR SALON CHAIR FOOTREST**

(76) Inventor: **Bob McGeeney**, Dana Point, CA (US)

(**) Term: **14 Years**

(21) Appl. No.: **29/354,804**

(22) Filed: **Jan. 28, 2010**

(51) **LOC (9) Cl.** **06-01**

(52) **U.S. Cl.** **D6/500; D6/360**

(58) **Field of Classification Search** D6/334-336,
D6/360, 364, 365, 366, 367, 374, 375, 379,
D6/380, 500-502; 297/411.2, 411.25, 411.27,
297/411.28, 411.44, 423.1, 423.19, 423.25
See application file for complete search history.

(56) **References Cited**

U.S. PATENT DOCUMENTS

3,794,381 A * 2/1974 Caldemeyer 297/423.22
D289,119 S * 4/1987 Opsvik D6/500

4,844,536 A * 7/1989 Mizelle 297/68
D444,636 S * 7/2001 Ooyama D6/360
D457,006 S * 5/2002 Ooyama D6/360
D457,021 S * 5/2002 Wiecek D6/501
D540,074 S * 4/2007 Peters D6/501
D586,593 S * 2/2009 Petruccelli D6/500

* cited by examiner

Primary Examiner — Brian N Vinson

(74) *Attorney, Agent, or Firm* — Alexander Onen, Esq.

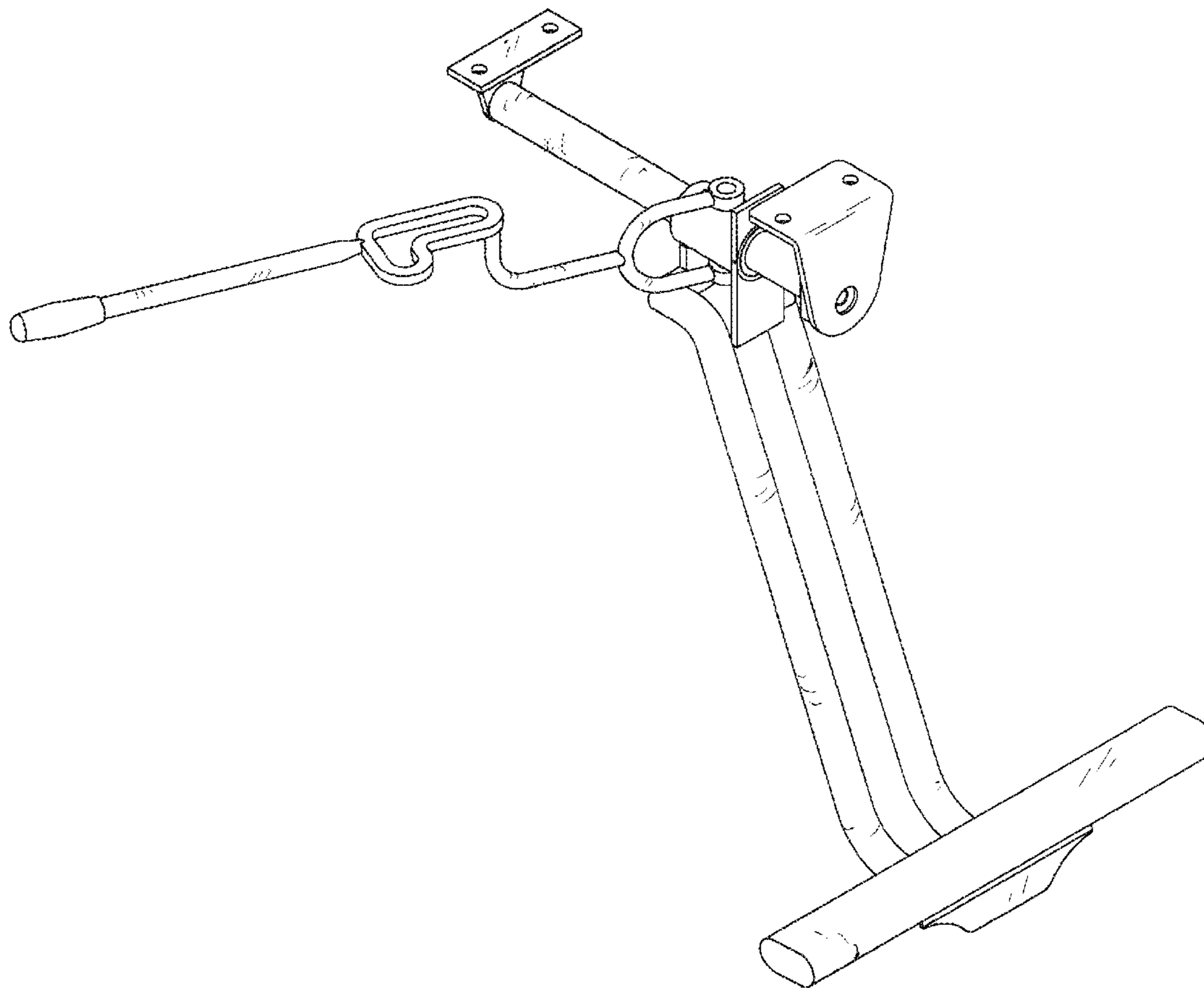
(57) **CLAIM**

The ornamental design for an adjustable T shape hair salon chair footrest, as shown and described.

DESCRIPTION

FIG. 1 is 3D perspective view from the front right of a configuration of an adjustable T shape hair salon chair footrest of present invention; and, FIG. 2 is a 3D exploded perspective view from the front right of a configuration of an adjustable T shape hair salon chair footrest of present invention.

1 Claim, 2 Drawing Sheets



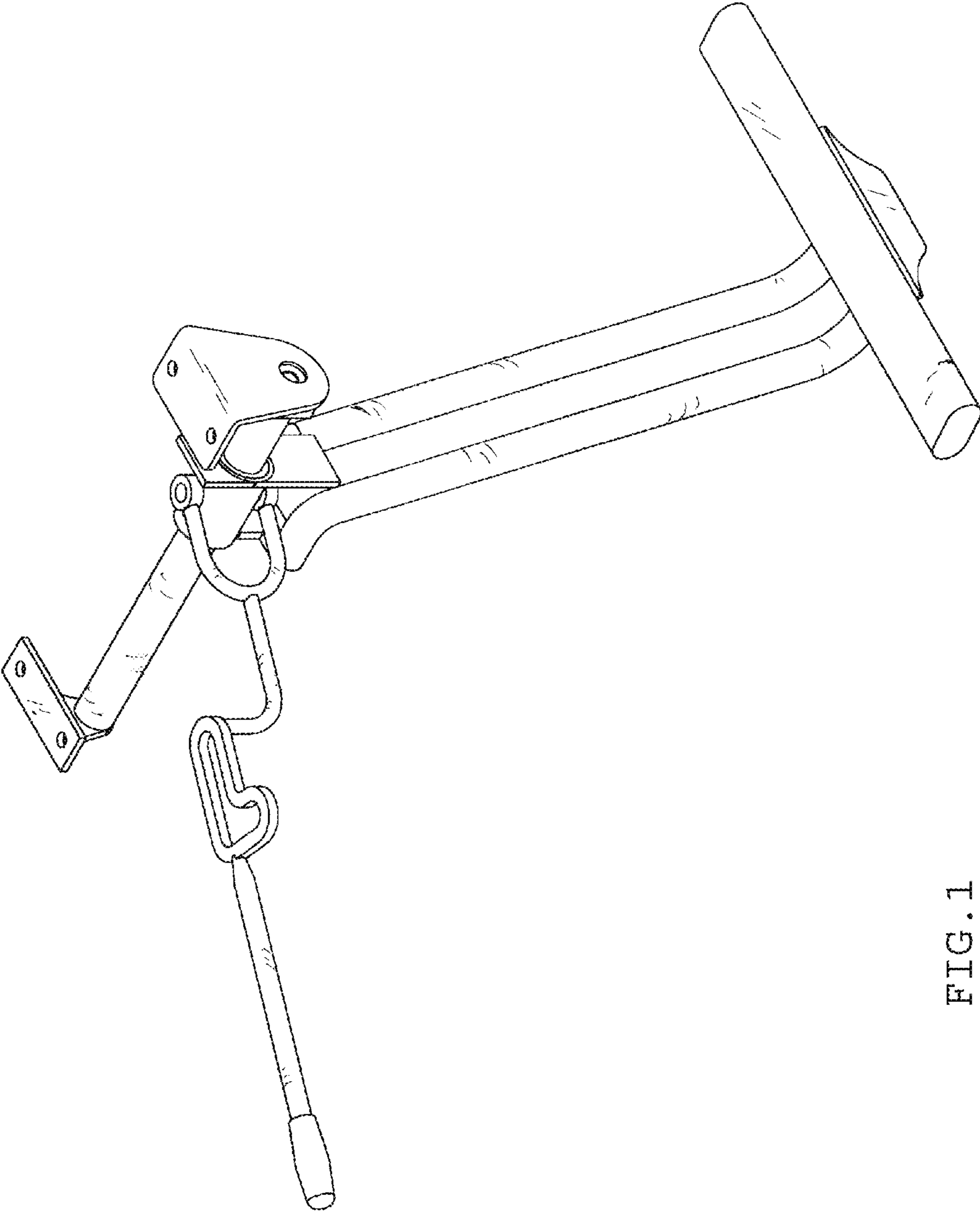


FIG. 1

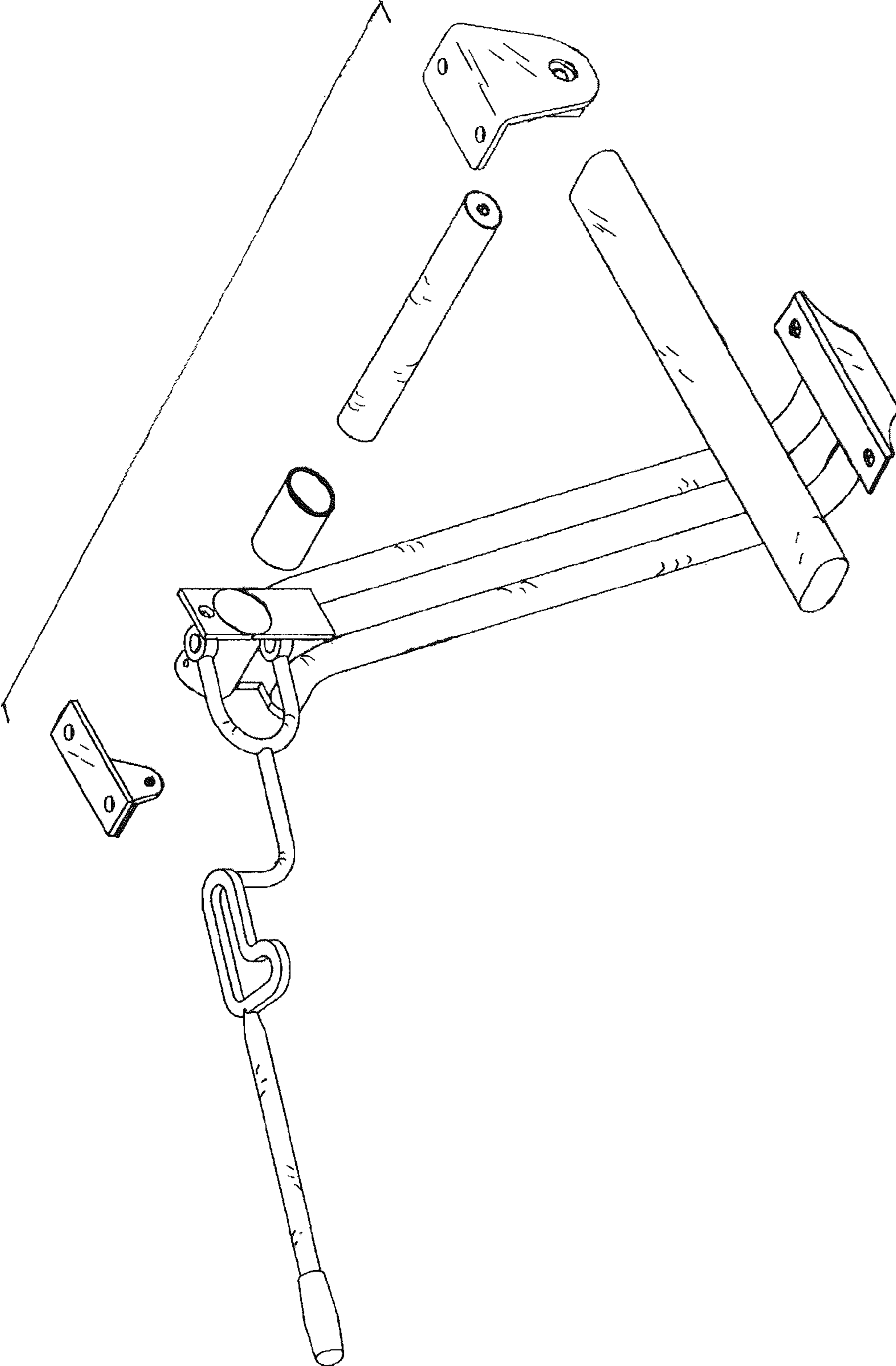


FIG. 2