



US00D648574S

(12) **United States Design Patent**
Gasser

(10) **Patent No.:** **US D648,574 S**

(45) **Date of Patent:** **** Nov. 15, 2011**

(54) **FURNITURE BASE**

2004/0041064 A1* 3/2004 Cheng 248/188

* cited by examiner

(75) Inventor: **Louis Francis Gasser**, Girard, OH (US)

Primary Examiner — Janice Seeger

(73) Assignee: **Gasser Chair Company, Inc.**,
Youngstown, OH (US)

(74) *Attorney, Agent, or Firm* — Lerner, David, Littenberg,
Krumholz & Mentlik, LLP

(**) Term: **14 Years**

(57) **CLAIM**

(21) Appl. No.: **29/364,586**

I claim the ornamental design for a furniture base, as shown
and described.

(22) Filed: **Jun. 25, 2010**

DESCRIPTION

(51) **LOC (9) Cl.** **06-06**

(52) **U.S. Cl.** **D6/499**

(58) **Field of Classification Search** D6/480–489,
D6/429–431, 495–499, 349, 365, 366; 108/150,
108/155, 156, 157.1, 161; 248/188, 188.1,
248/188.7, 188.8

See application file for complete search history.

FIG. 1 is a perspective view of a first embodiment furniture
base, in accordance with the present invention;

FIG. 2 is a front plan view of the furniture base shown in FIG.
1;

FIG. 3 is a back plan view of the furniture base shown in FIG.
1;

FIG. 4 is a right side plan view of the furniture base shown in
FIG. 1;

FIG. 5 is a left side plan view of the furniture base shown in
FIG. 1;

FIG. 6 is a top plan view of the furniture base shown in FIG.
1; and,

FIG. 7 is a bottom plan view of the furniture base shown in
FIG. 1.

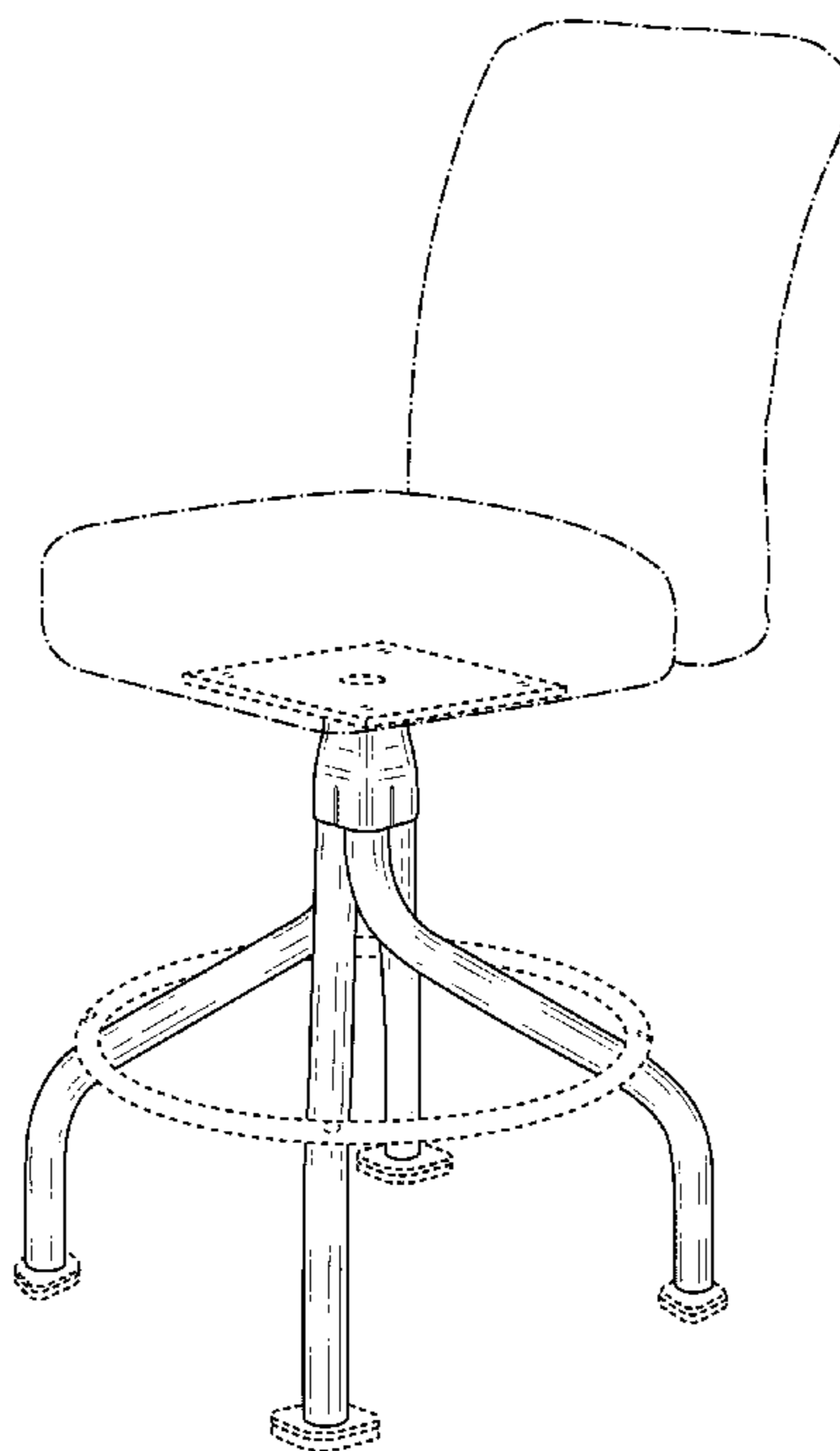
The furniture attached to the furniture base in FIG. 1 is shown
for environmental use purposes only, and forms no part of the
claimed invention. The feet of the legs, the foot rest ring, and
the furniture attachment plate of the furniture base are illus-
trated in broken line, and as such form no part of the claimed
invention.

(56) **References Cited**

U.S. PATENT DOCUMENTS

72,635	A	*	12/1867	Heywood	248/188.7
D76,863	S	*	11/1928	Ferris	D6/366
D104,154	S	*	4/1937	Andersen	D6/366
D156,463	S		12/1949	Rita		
D192,323	S	*	3/1962	Shaw	D6/330
3,032,307	A	*	5/1962	Nelson et al.	248/188.7
D195,946	S	*	8/1963	Kronhaus	D6/366
D197,712	S	*	3/1964	Fischer, Jr	D6/366
D232,880	S		9/1974	Samhammer		
D279,634	S	*	7/1985	Platner	D6/487
D299,986	S		2/1989	Doughty		
D414,947	S		10/1999	Liu		
D487,986	S		4/2004	Muller		
D579,677	S	*	11/2008	Zhou et al.	D6/349

1 Claim, 6 Drawing Sheets



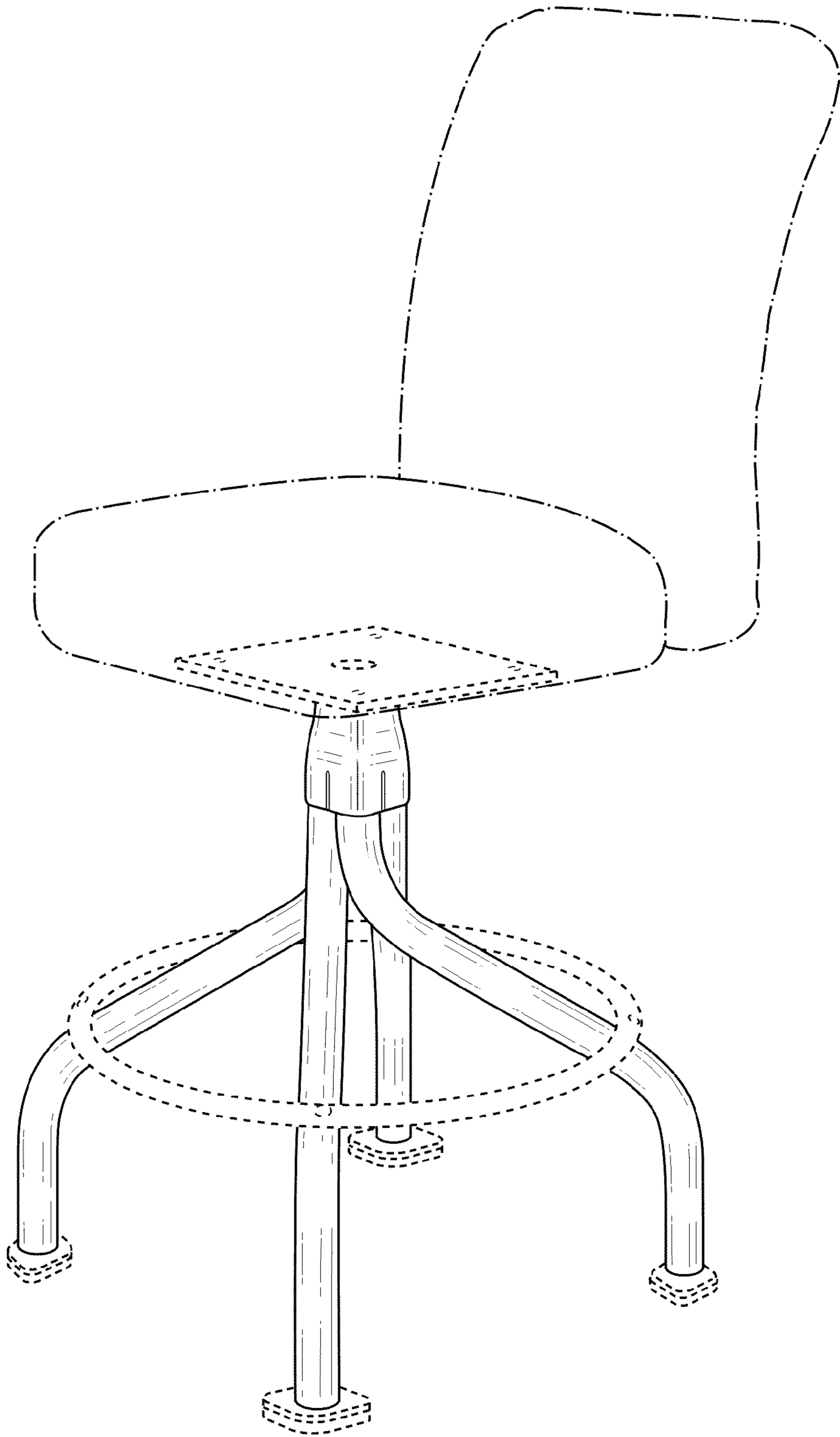


FIG. 1

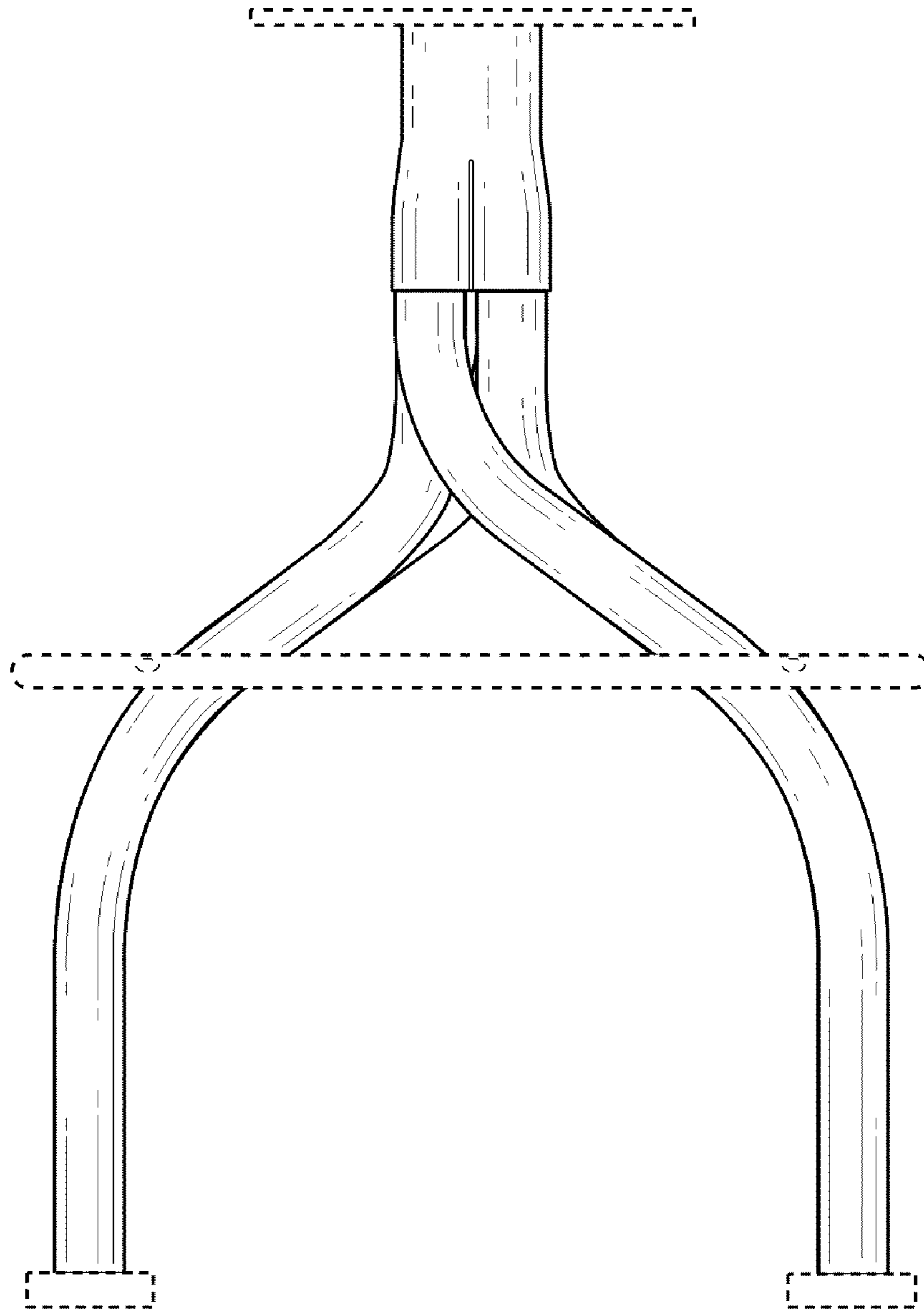


FIG. 2

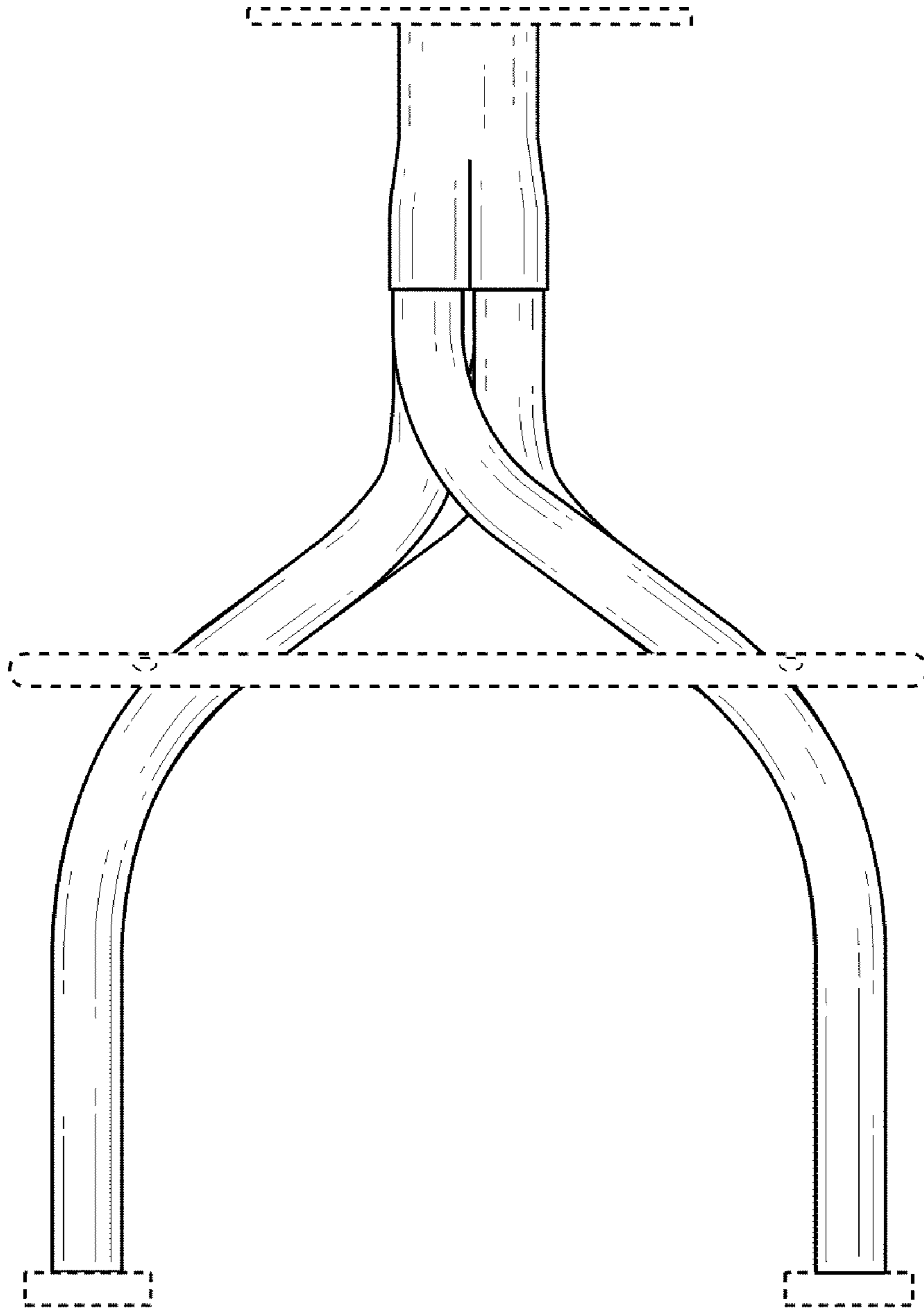


FIG. 3

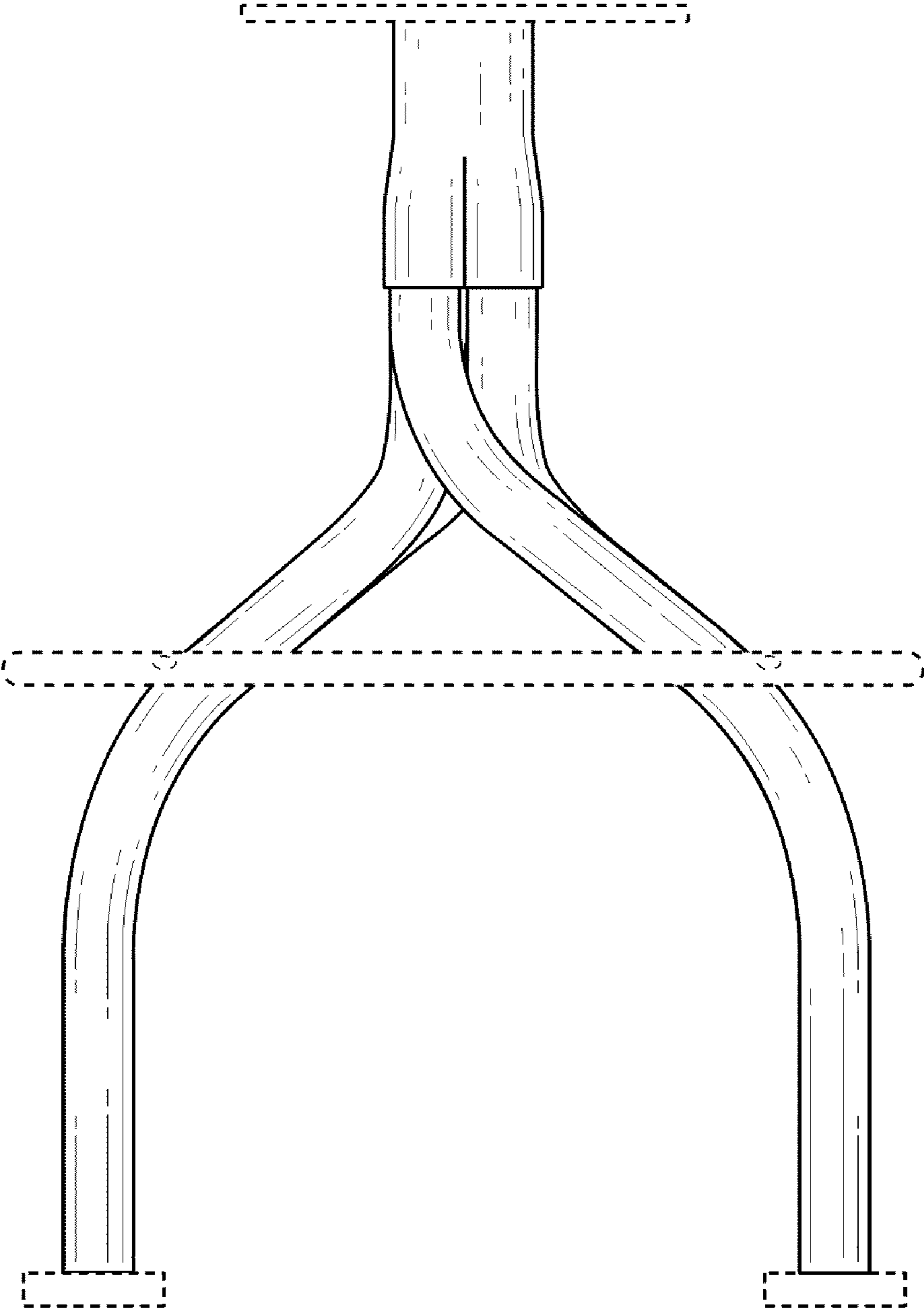


FIG. 4

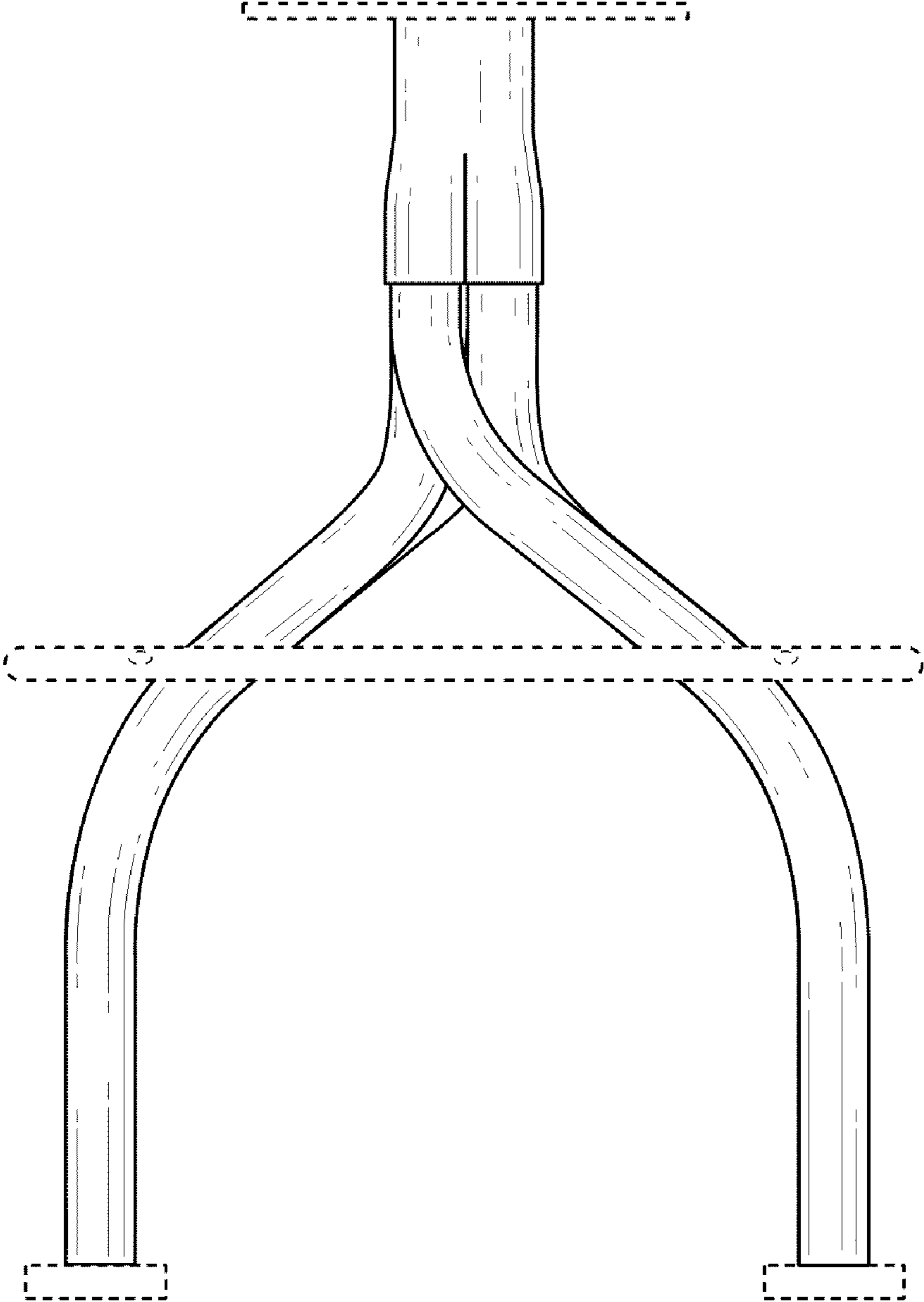


FIG. 5

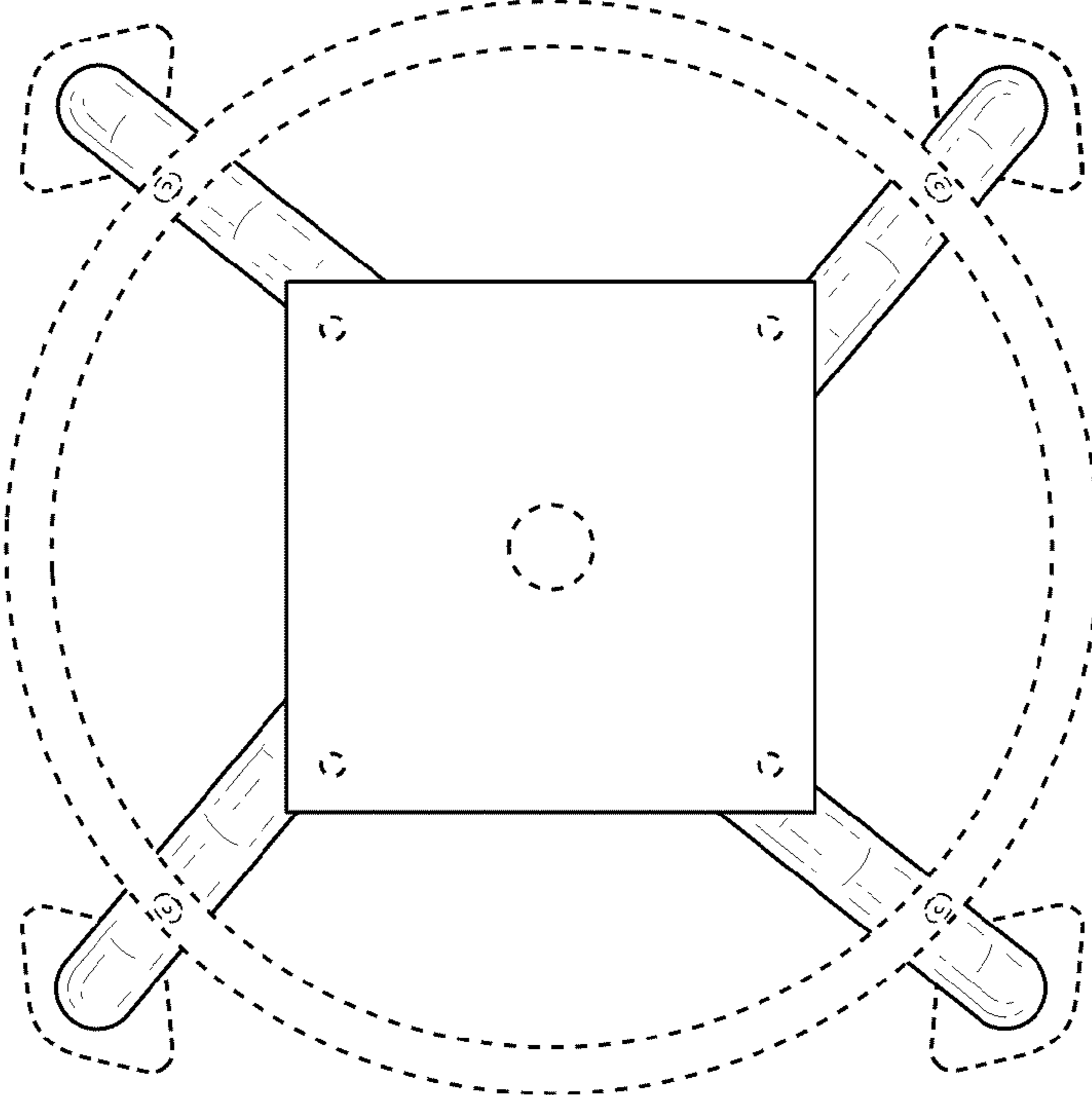


FIG. 6

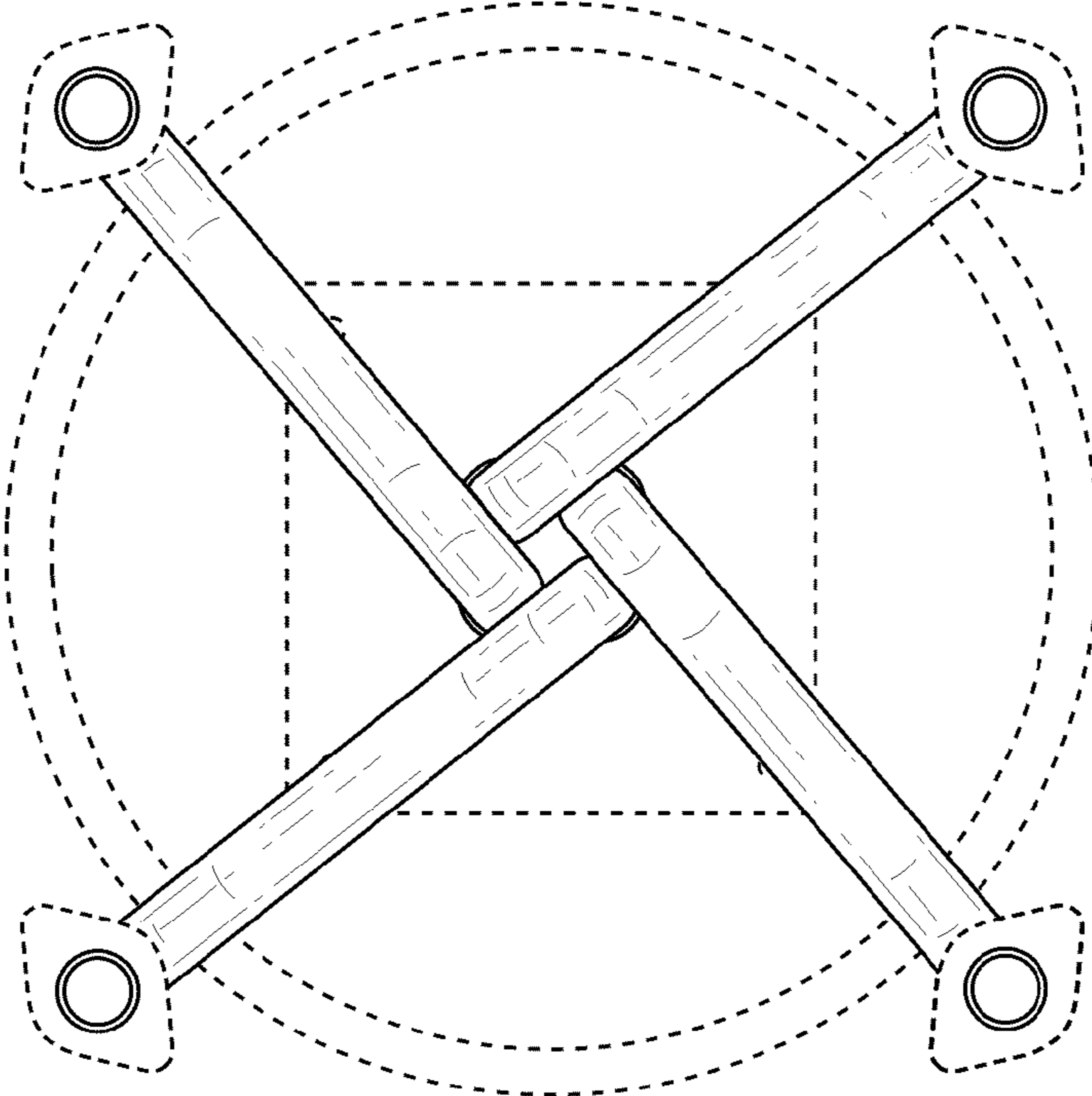


FIG. 7