



US00D648573S

(12) **United States Design Patent**
Sculler

(10) **Patent No.:** **US D648,573 S**

(45) **Date of Patent:** **** Nov. 15, 2011**

(54) **AUDIO VIDEO SHELVING UNIT**
(75) Inventor: **Marc Sculler**, Colts Neck, NJ (US)
(73) Assignee: **Bell'O International Corp.**,
Morganville, NJ (US)
(**) Term: **14 Years**
(21) Appl. No.: **29/338,355**

D515,337 S 2/2006 deCarolis
D515,849 S 2/2006 Niu
D516,838 S 3/2006 Portnoy
D516,839 S * 3/2006 Wicha D6/477
D516,840 S 3/2006 deCarolis
D516,847 S 3/2006 Stenhouse et al.
D519,757 S 5/2006 Portnoy
D524,080 S 7/2006 Stenhouse et al.
D525,052 S 7/2006 Malizia et al.
D525,054 S 7/2006 Stenhouse et al.
D527,208 S 8/2006 Malizia et al.
D535,497 S 1/2007 Portnoy

(Continued)

(22) Filed: **Jun. 10, 2009**
(51) **LOC (9) Cl.** **06-04**
(52) **U.S. Cl.** **D6/477**
(58) **Field of Classification Search** D6/470,
D6/471, 474, 477-479, 460-461, 468; 108/59,
108/91, 92, 96; 211/40, 41.12, 42, 49.1,
211/50, 85.2, 90.04, 187, 190; 206/307
See application file for complete search history.

OTHER PUBLICATIONS

Bell'O's 2005-2006 Product Catalog.

Primary Examiner — Elizabeth Albert
Assistant Examiner — Kelley A Donnelly
(74) *Attorney, Agent, or Firm* — Lerner, David, Littenberg,
Krumholz & Mentlik, LLP

(56) **References Cited**

U.S. PATENT DOCUMENTS

D454,731 S 3/2002 Niitsu et al.
D458,053 S 6/2002 Luong
D472,073 S 3/2003 de Carolis
D472,074 S 3/2003 de Carolis
D472,075 S 3/2003 de Carolis
D489,548 S 5/2004 Malizia et al.
D491,748 S 6/2004 deCarolis
D491,749 S 6/2004 Malizia et al.
D491,750 S 6/2004 Bertoncini et al.
D491,753 S 6/2004 deCarolis
D492,860 S 7/2004 Bertoncini et al.
D493,982 S 8/2004 deCarolis
D496,807 S 10/2004 deCarolis
D497,060 S 10/2004 Chang et al.
D497,061 S 10/2004 Decarolis
D505,573 S 5/2005 Malizia
D506,329 S 6/2005 Sexton
D507,433 S 7/2005 Portnoy
D507,900 S 8/2005 Sexton
D508,172 S 8/2005 Malizia et al.

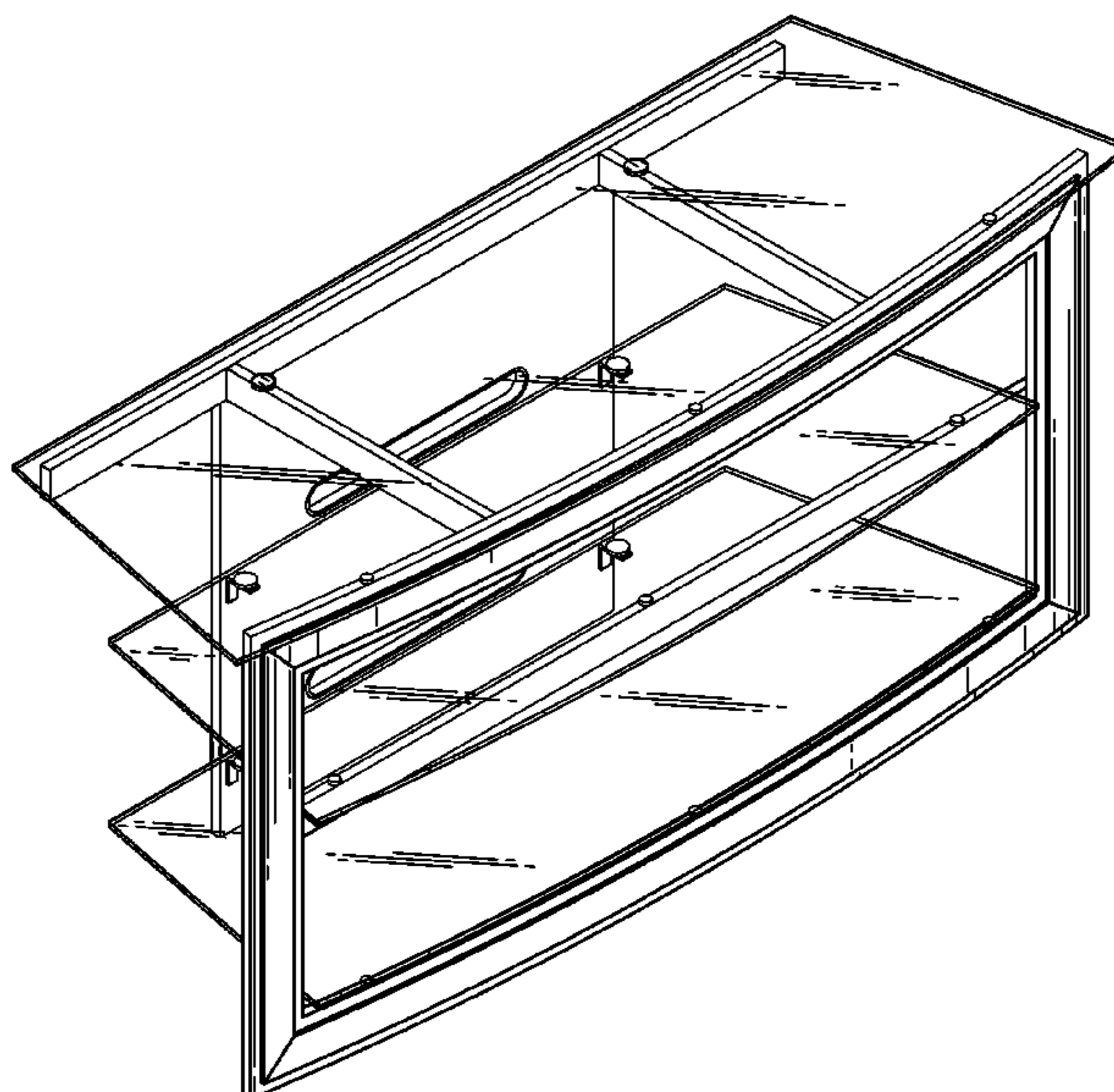
(57) **CLAIM**

The ornamental design for audio video shelving unit, as shown and described.

DESCRIPTION

FIG. 1 is a front perspective view of a first embodiment of the audio video shelving unit;
FIG. 2 is a front elevational view thereof;
FIG. 3 is a rear elevational view thereof;
FIG. 4 is a top plan view thereof;
FIG. 5 is a right side view thereof (the left side being a mirror image of the right side view);
FIG. 6 is a front perspective view of a second embodiment of the audio video shelving unit; and,
FIG. 7 is a top plan view of the embodiment shown in FIG. 6 (all other views of the second embodiment having the same appearance as FIGS. 1-5).

1 Claim, 7 Drawing Sheets



US D648,573 S

Page 2

U.S. PATENT DOCUMENTS

D537,656 S	3/2007	Stenhouse et al.	D587,496 S	3/2009	Weitz	
D543,729 S	6/2007	Weatherly	D587,497 S	3/2009	Zambelli	
D549,991 S	9/2007	Stravitz	D589,280 S	3/2009	Zambelli	
D554,393 S	11/2007	Yalif	D590,636 S	4/2009	Ou Yang et al.	
D555,397 S	11/2007	Yalif	D590,637 S	4/2009	Portnoy	
D559,583 S	1/2008	Zambelli	D592,428 S	5/2009	Zambelli	
D559,584 S	1/2008	Zambelli	D594,248 S	6/2009	Zambelli	
D560,077 S	1/2008	Zambelli	D595,978 S	7/2009	Portnoy et al.	
D562,593 S	2/2008	Zambelli	D599,584 S	9/2009	Zambelli	
D564,260 S	3/2008	deCarolis	D612,172 S *	3/2010	Portnoy	D6/477
D564,261 S	3/2008	Sculler	D616,672 S *	6/2010	Sculler et al.	D6/477
D564,789 S	3/2008	deCarolis	D630,871 S *	1/2011	Sexton	D6/477
D564,796 S	3/2008	Zambelli	D639,089 S *	6/2011	Sexton	D6/477
D587,483 S	3/2009	Zambelli				

* cited by examiner

FIG. 1

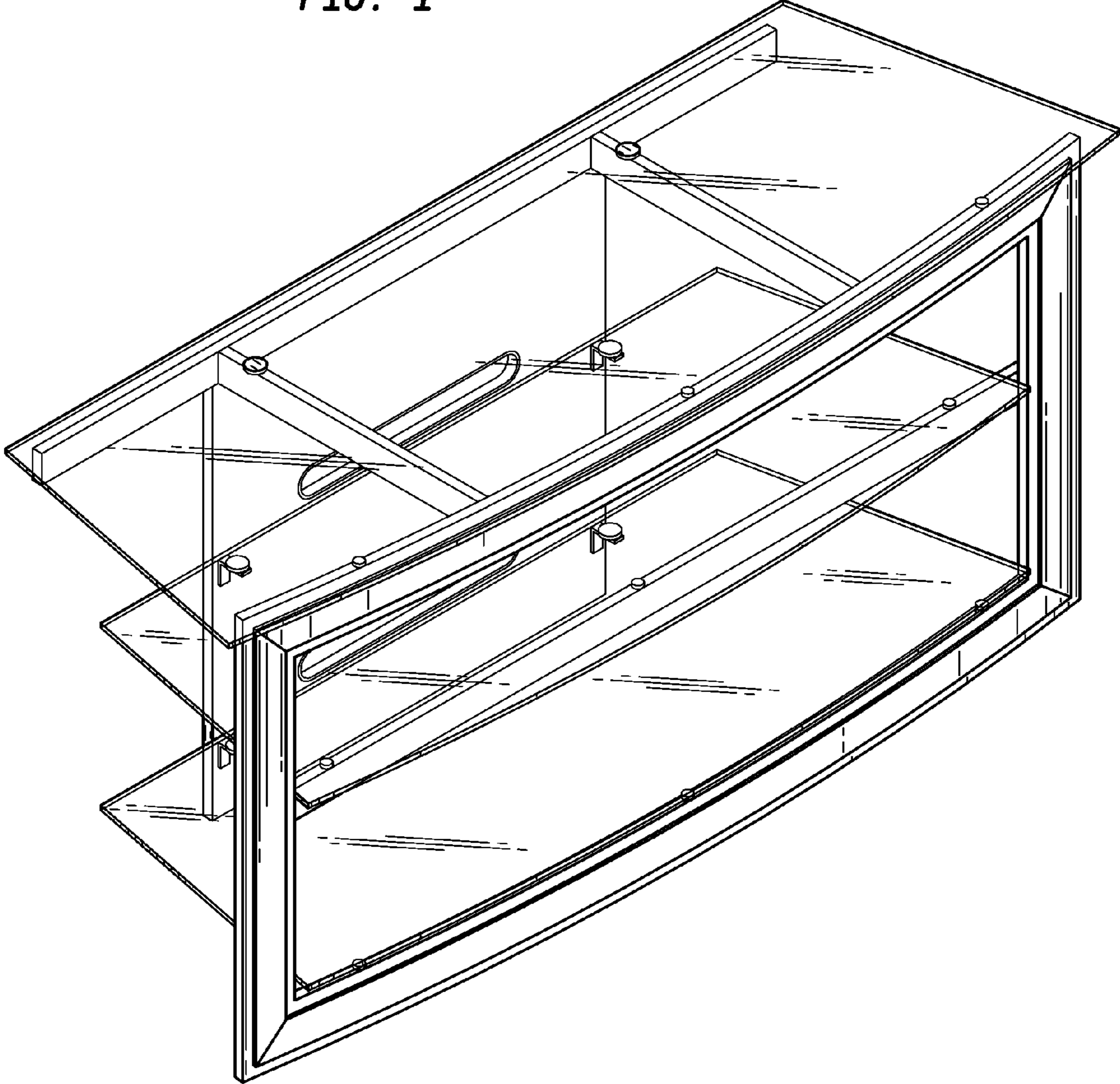


FIG. 2

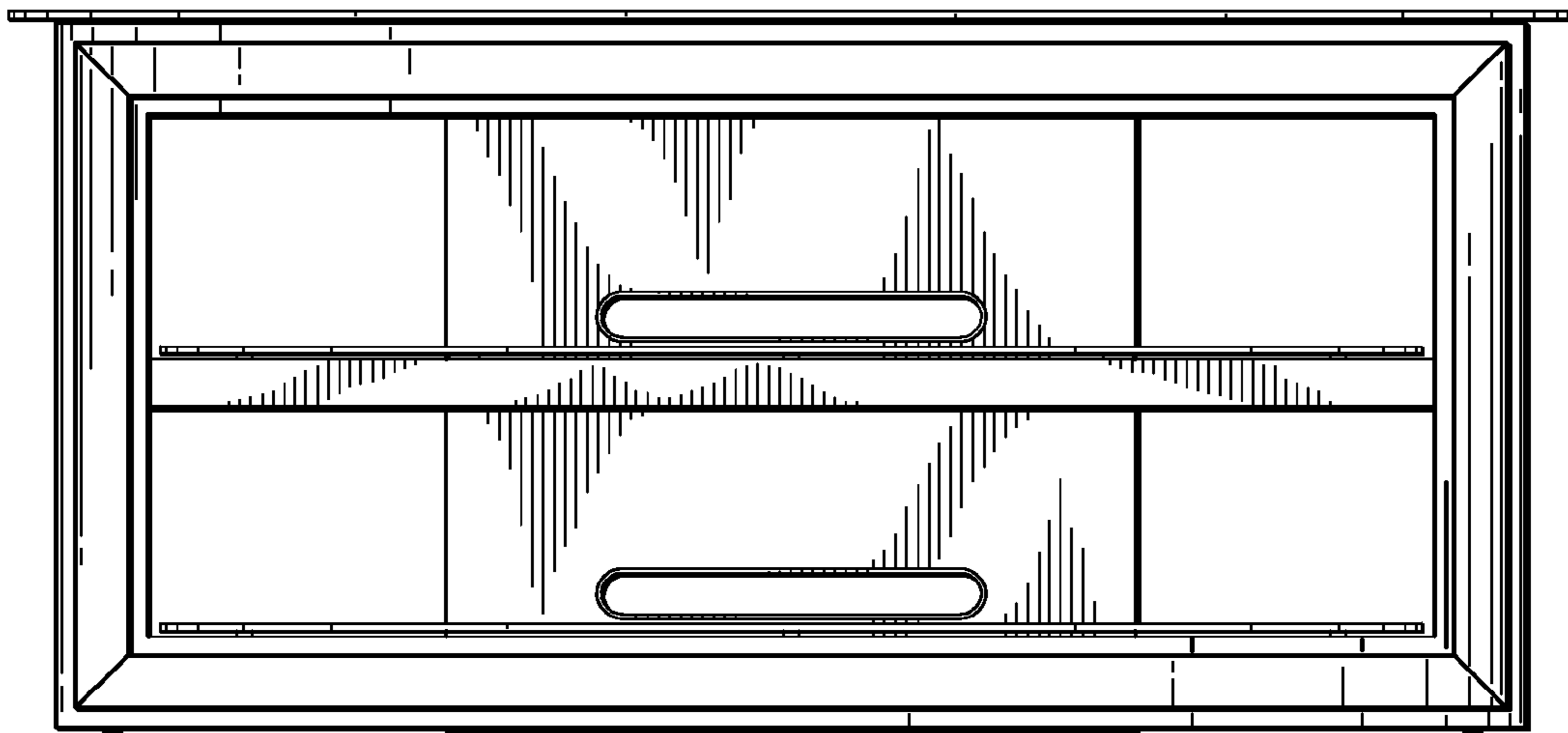


FIG. 3

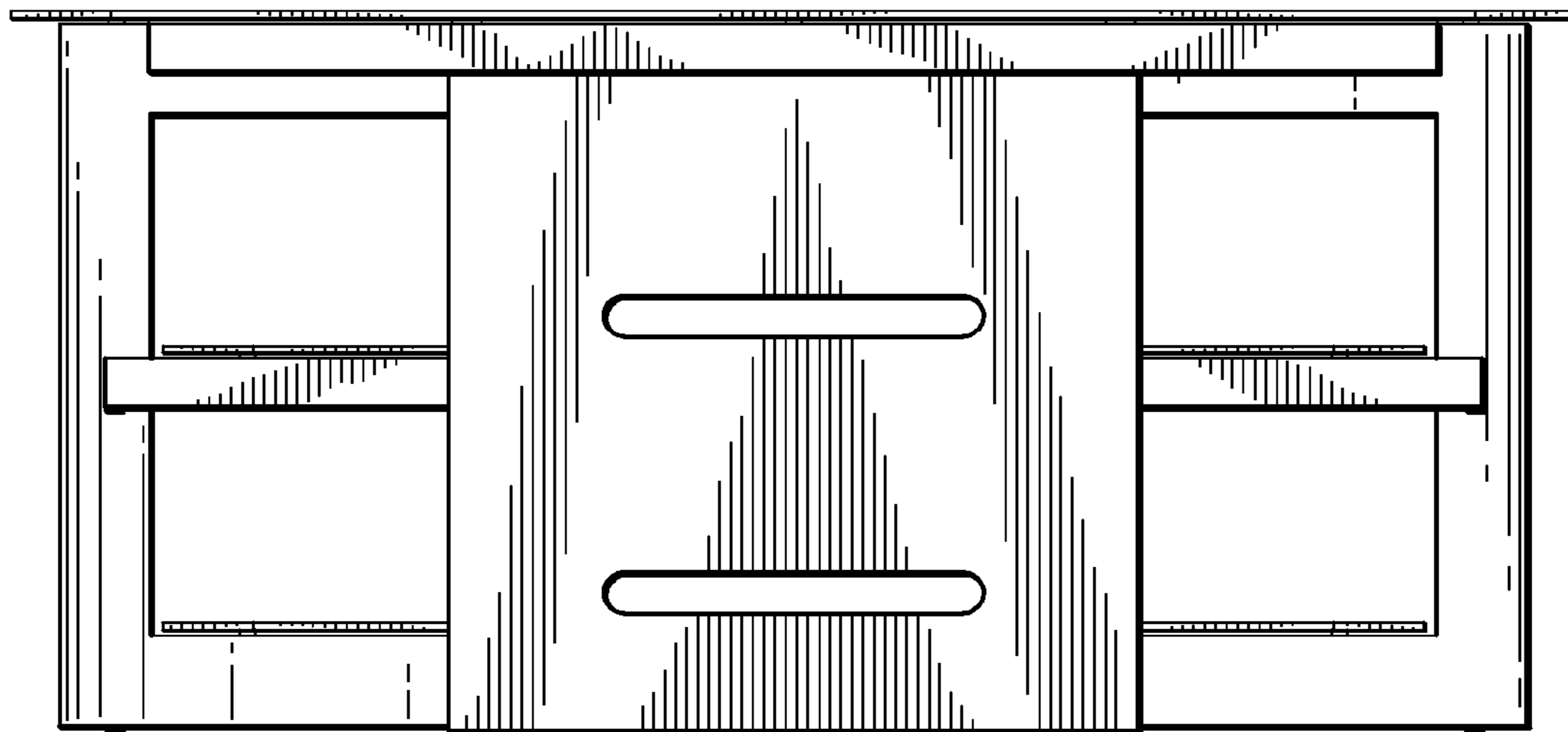


FIG. 4

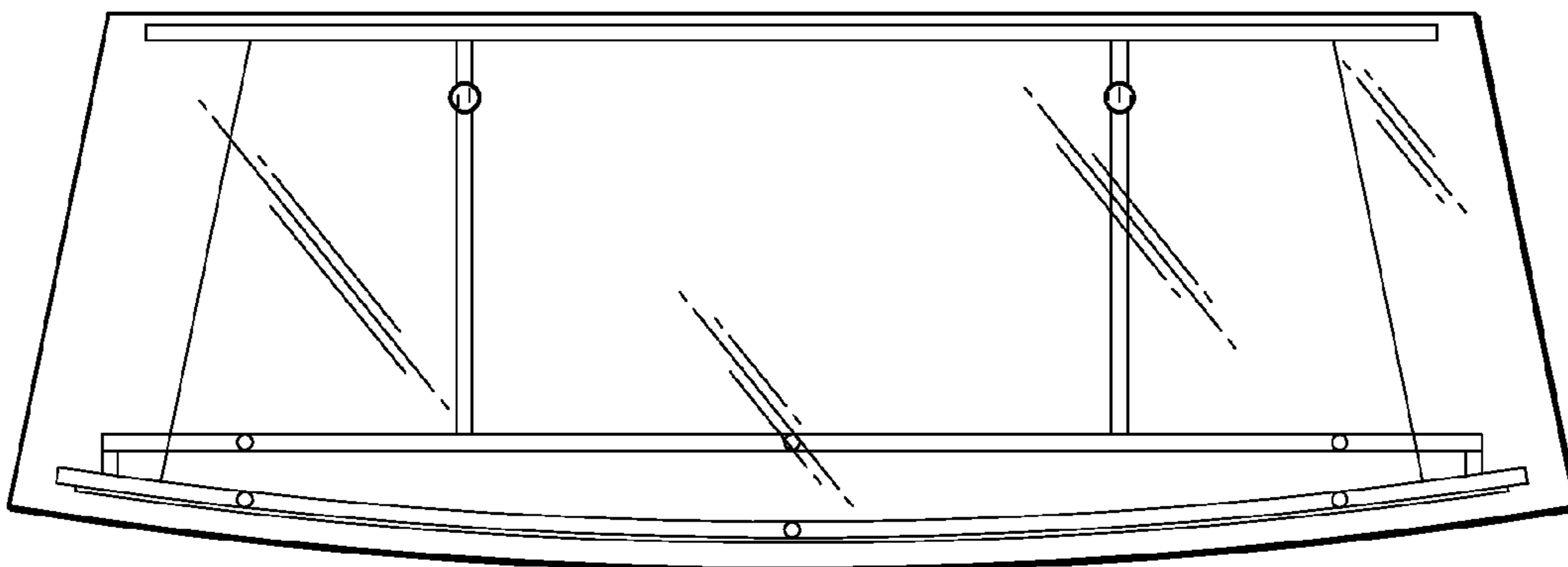


FIG. 5

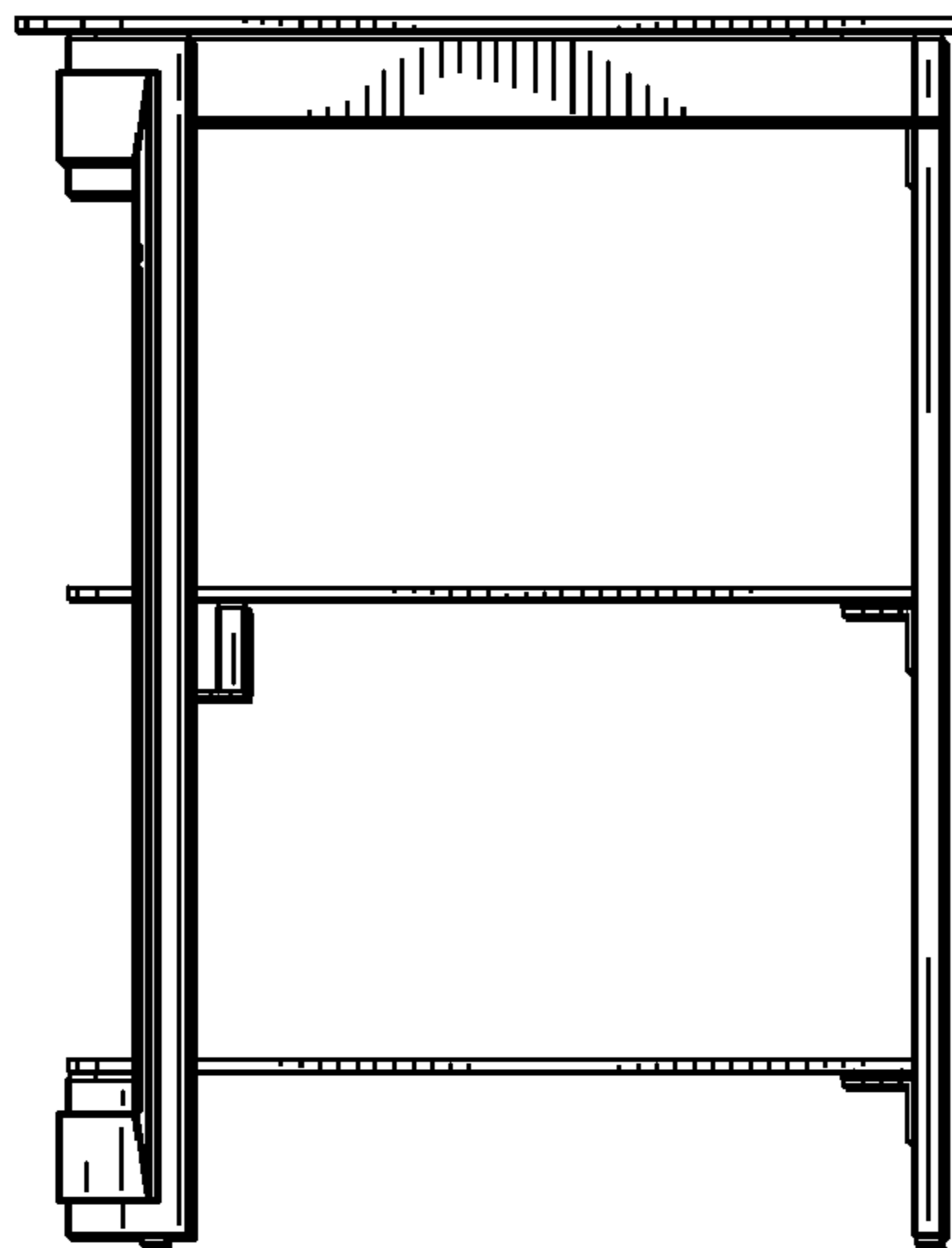


FIG. 6

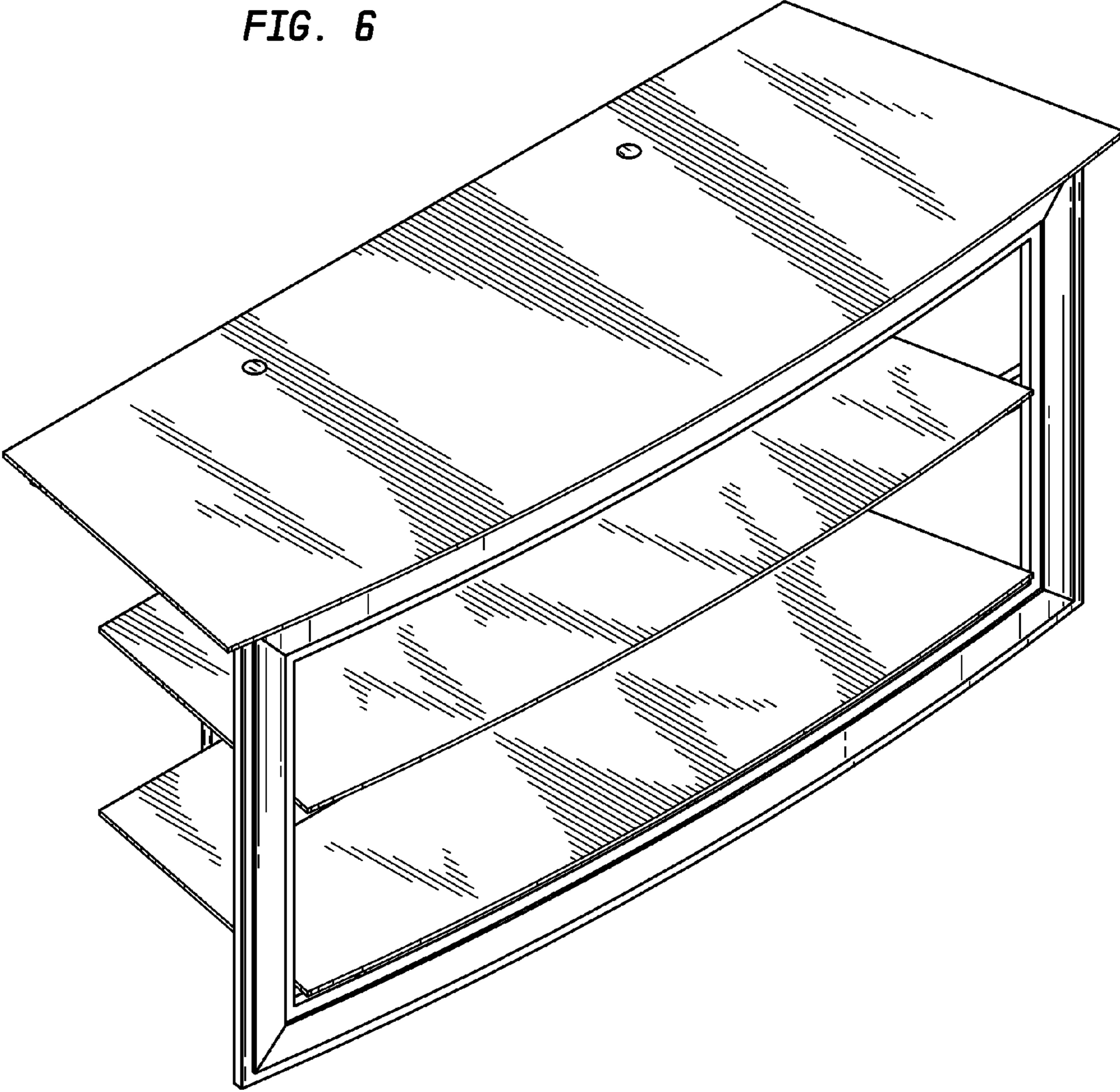


FIG. 7

